



US00D704791S

(12) **United States Design Patent**
Fitzpatrick et al.

(10) **Patent No.:** **US D704,791 S**
(45) **Date of Patent:** **** May 13, 2014**

(54) **RAIL COVER PANEL WITH SURFACE TEXTURE**

(71) Applicant: **Magpul Industries Corporation**, Erie, CO (US)

(72) Inventors: **Richard Fitzpatrick**, Longmont, CO (US); **Brad Bennett**, Lafayette, CO (US); **Michael T. Mayberry**, Denver, CO (US); **Thomas Ward, Jr.**, Thornton, CO (US); **Jeremy Kerbs**, Westminster, CO (US)

(73) Assignee: **Magpul Industries Corporation**, Erie, CO (US)

(**) Term: **14 Years**

(21) Appl. No.: **29/440,791**

(22) Filed: **Dec. 27, 2012**

(51) **LOC (10) Cl.** **22-01**

(52) **U.S. Cl.**
USPC **D22/108**

(58) **Field of Classification Search**
USPC D22/108; 42/90, 85, 106, 113–114,
42/124–128; 248/201, 205.1;
89/37.03–37.04, 41.17
See application file for complete search history.

(56) **References Cited**

U.S. PATENT DOCUMENTS

4,934,085 A 6/1990 Lough
5,826,363 A 10/1998 Olson
6,421,946 B1 7/2002 LaRocco

(Continued)

OTHER PUBLICATIONS

Design U.S. Appl. No. 29/400,444, filed Aug. 29, 2011, "Rail Cover Index Attachment".

(Continued)

Primary Examiner — Michael A Pratt

(74) *Attorney, Agent, or Firm* — Swanson & Bratschun, L.L.C.

(57) **CLAIM**

The ornamental design for a rail cover panel with surface texture, as shown and described.

DESCRIPTION

FIG. 1 is a front, top, right perspective view of a rail cover panel with surface texture attached to a firearm showing our new design with surface texture shown schematically;

FIG. 2 is a front, top, left perspective view of the rail cover panel with surface texture of FIG. 1 with the firearm omitted; FIG. 3 is a right side elevation view of the rail cover panel with surface texture of FIG. 1 with the firearm omitted, the left side elevation view being a mirror image thereof;

FIG. 4 is a rear elevation view of the rail cover panel with surface texture of FIG. 1 with the firearm omitted, the front elevation view being a mirror image thereof;

FIG. 5 is a top view of the rail cover panel with surface texture of FIG. 1 with the firearm omitted;

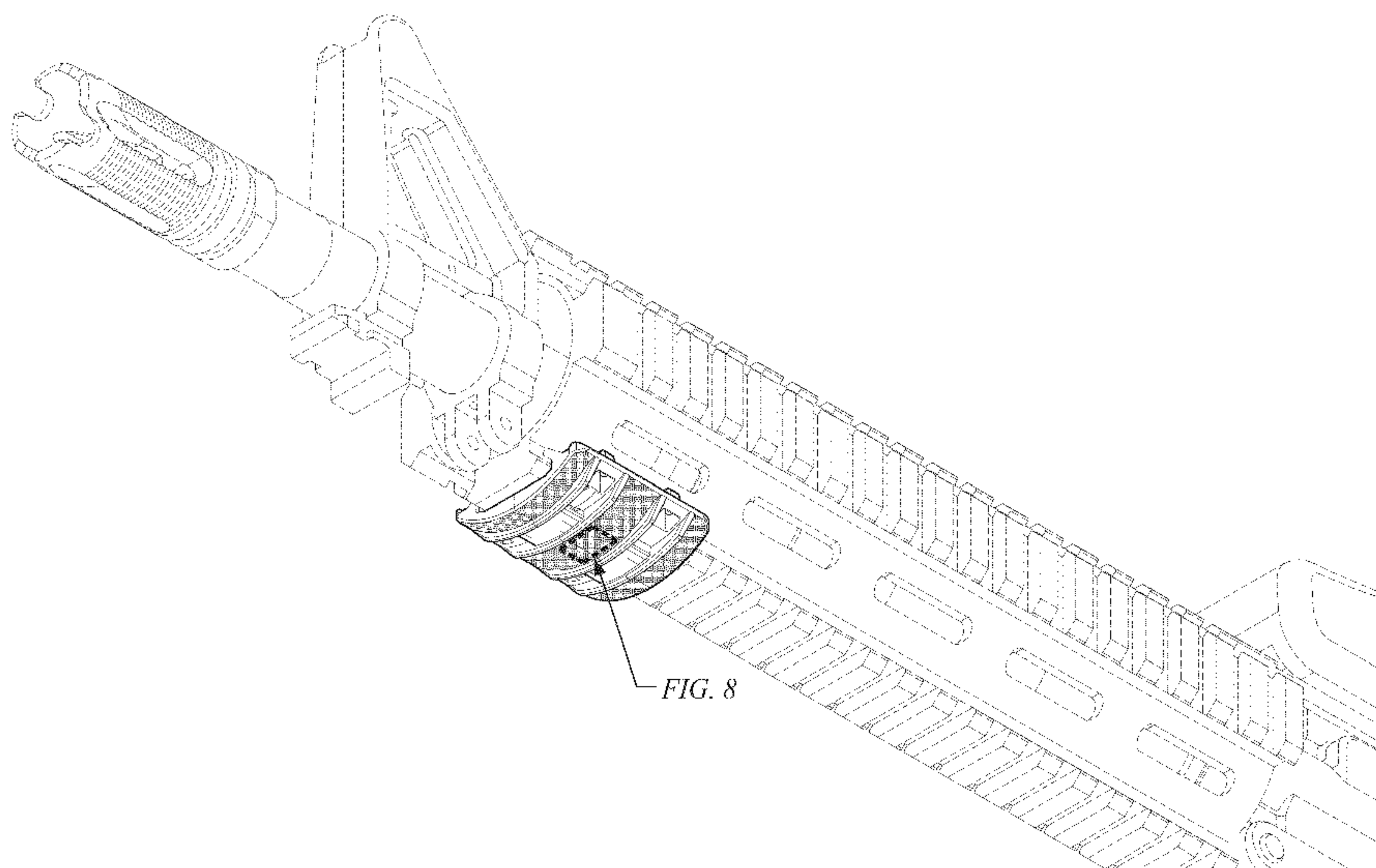
FIG. 6 is a bottom plan view of the rail cover panel with surface texture of FIG. 1 with the firearm omitted;

FIG. 7 is a front, bottom, left side perspective view of the rail cover panel with surface texture of FIG. 1 with the firearm omitted; and,

FIG. 8 is a perspective view of the surface texture of FIG. 1 shown enlarged.

The broken lines showing portions of the design in all figures is included for the purpose of illustrating environment and unclaimed features and forms not part of the claimed design. The relative density and proportions of the surface treatment is accurately illustrated in FIG. 5. For practicality FIGS. 1, 2 and 3 show token representations of the surface treatment. The texture pattern sample illustrated in FIG. 8 is applied uniformly within the area circumscribed for the texture.

1 Claim, 4 Drawing Sheets



(56)

References Cited

U.S. PATENT DOCUMENTS

6,725,594 B2 * 4/2004 Hines 42/90
 6,836,990 B2 1/2005 Shiloni
 6,895,708 B2 5/2005 Kim
 D508,726 S 8/2005 Storch
 7,117,625 B2 10/2006 Pikielny
 7,430,828 B2 10/2008 Munst
 7,438,430 B2 10/2008 Kim
 7,441,918 B2 10/2008 Kim
 7,562,483 B2 7/2009 Hines
 D625,378 S 10/2010 Fitzpatrick
 7,845,105 B1 12/2010 Cahill
 7,856,749 B2 12/2010 Fitzpatrick
 D638,007 S 5/2011 Chang
 D638,830 S 5/2011 Magness
 7,971,383 B2 * 7/2011 Fitzpatrick et al. 42/96
 D652,470 S 1/2012 Trusty
 D667,917 S 9/2012 Fitzpatrick

D668,731 S 10/2012 Fitzpatrick
 D676,920 S 2/2013 Fitzpatrick
 2003/0074822 A1 4/2003 Faifer
 2003/0106252 A1 6/2003 Hines
 2004/0000083 A1 1/2004 Grant
 2004/0064994 A1 4/2004 Luke
 2009/0038198 A1 2/2009 Yu
 2009/0193702 A1 8/2009 Lin
 2009/0241397 A1 10/2009 Fitzpatrick
 2010/0236124 A1 * 9/2010 Troy 42/90
 2012/0085013 A1 4/2012 Cahill

OTHER PUBLICATIONS

Design U.S. Appl. No. 29/400,006, filed Aug. 22, 2011, "Rail Cover Half".
 Design U.S. Appl. No. 29/400,004, filed Aug. 22, 2011, "Rail Cover with Surface Partitions".

* cited by examiner

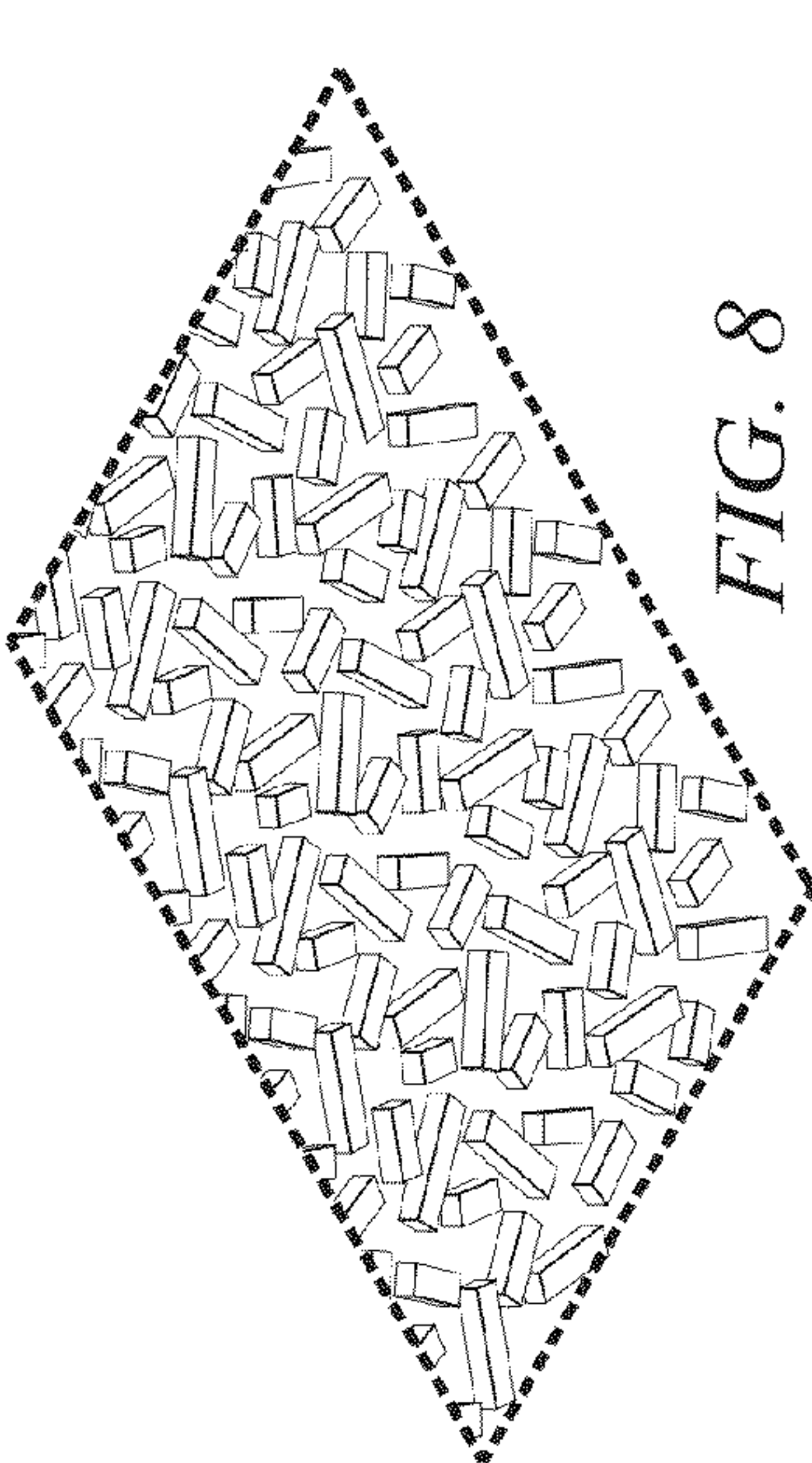


FIG. 8

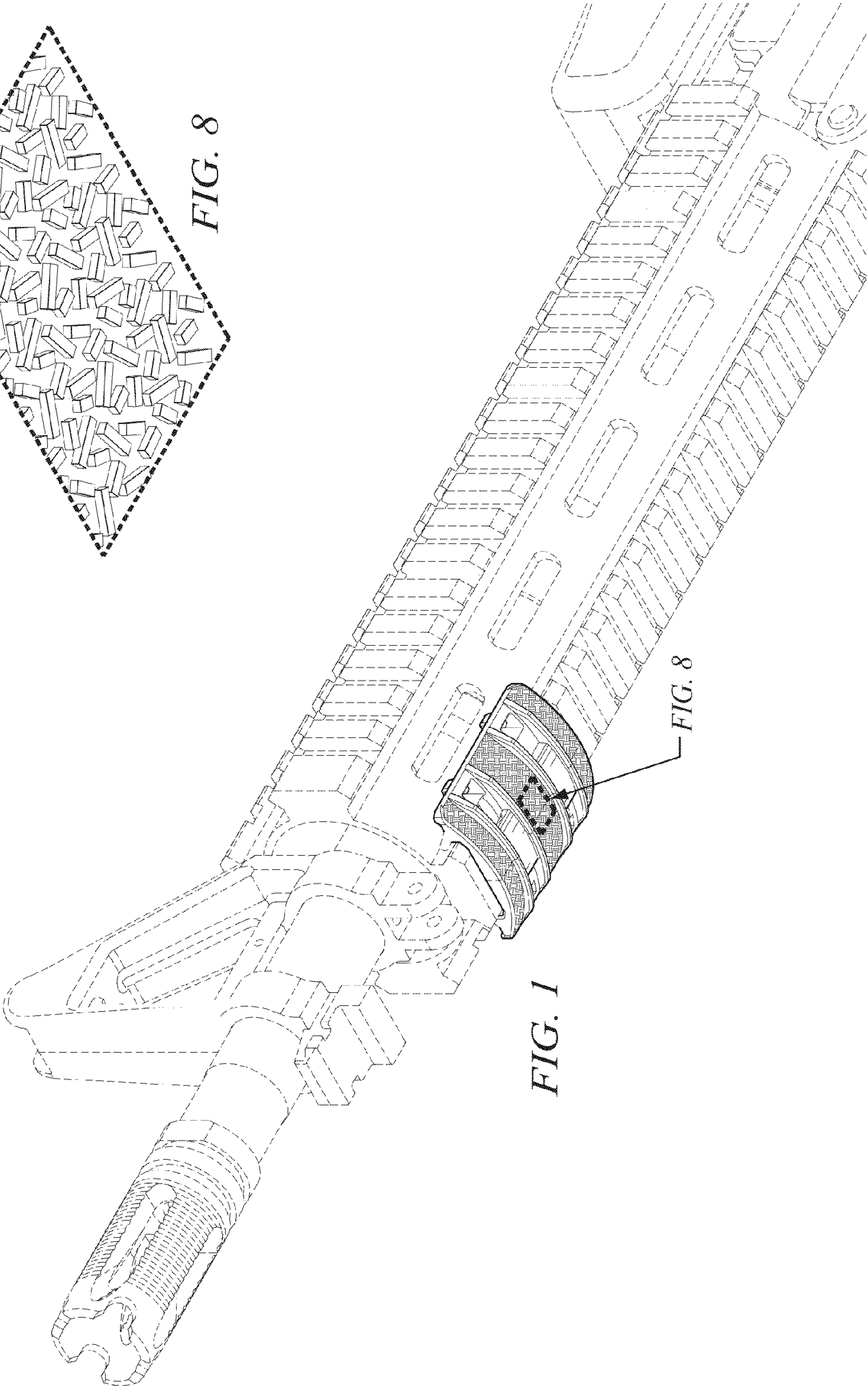


FIG. 1

FIG. 8

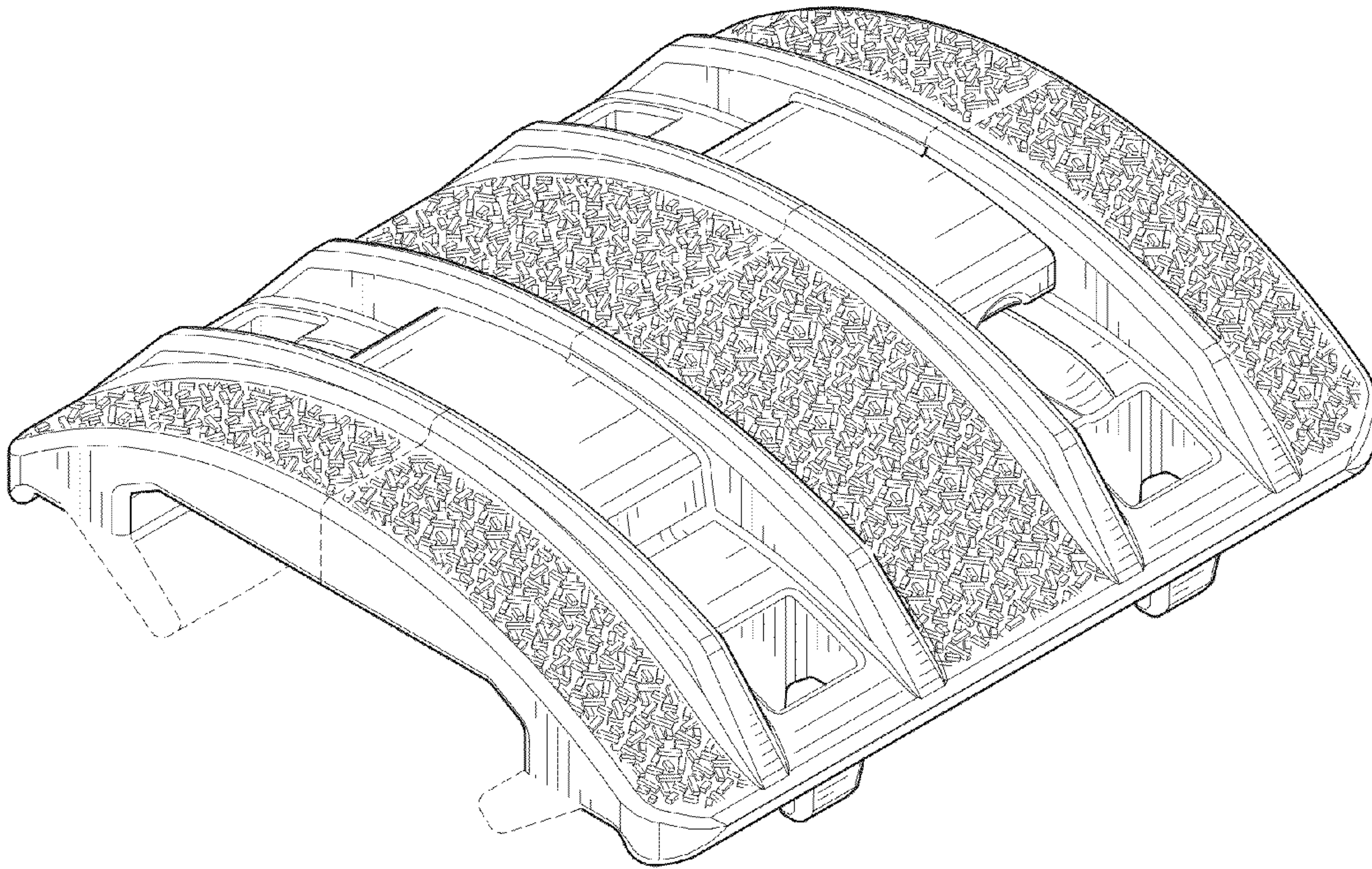


FIG. 2

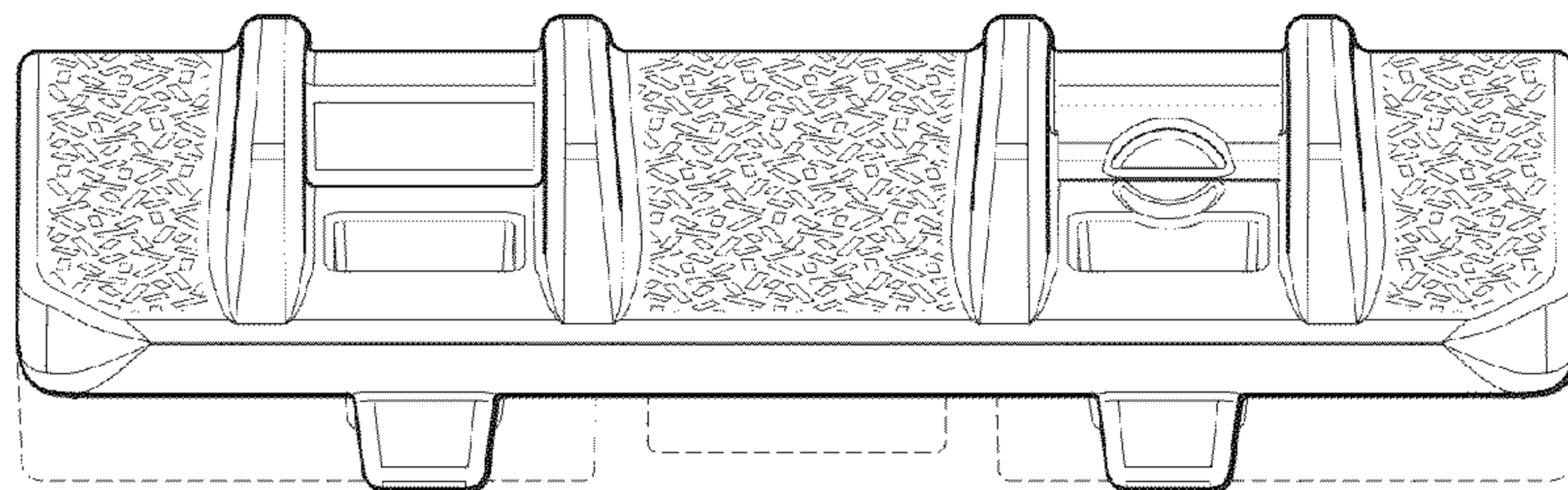


FIG. 3

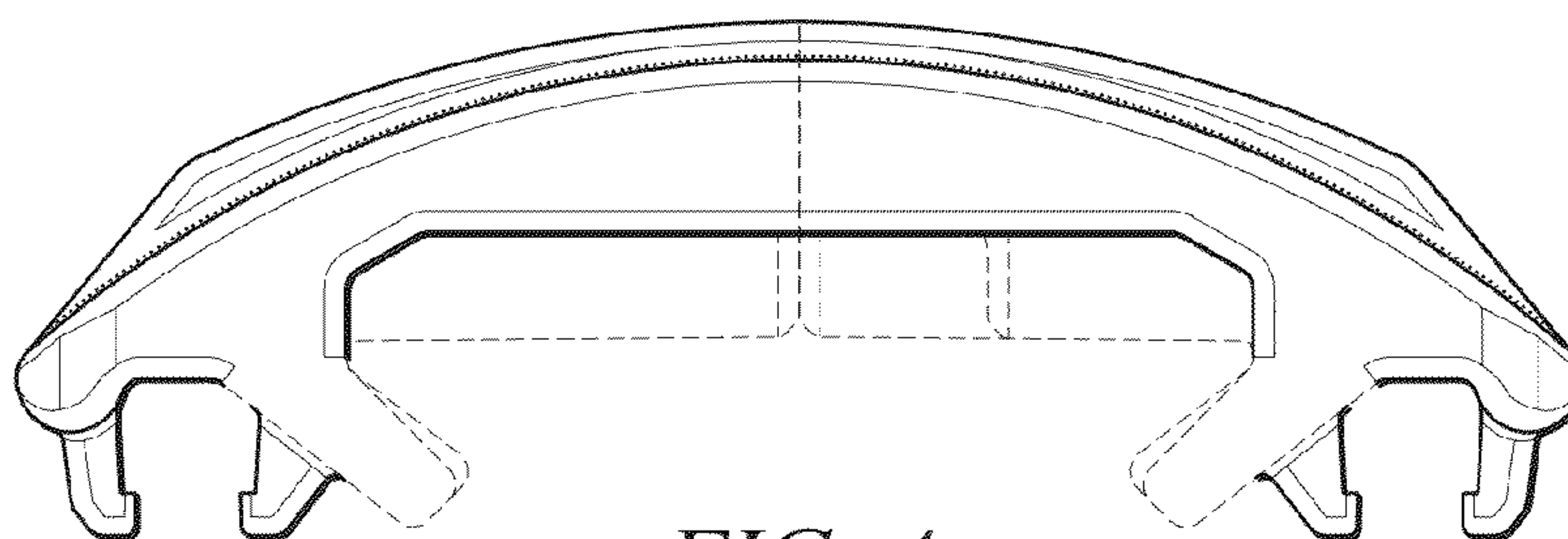


FIG. 4

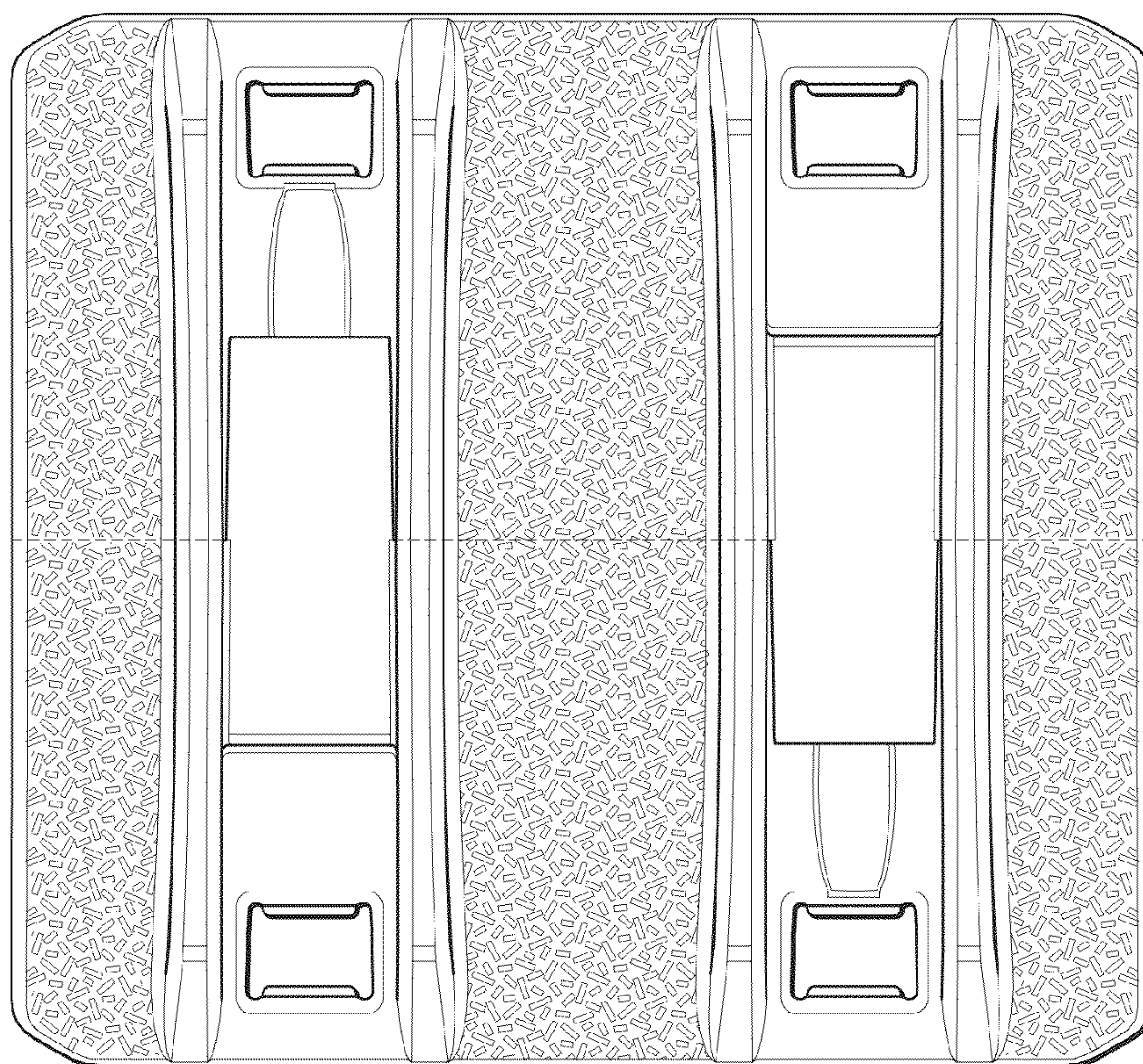


FIG. 5

FIG. 6

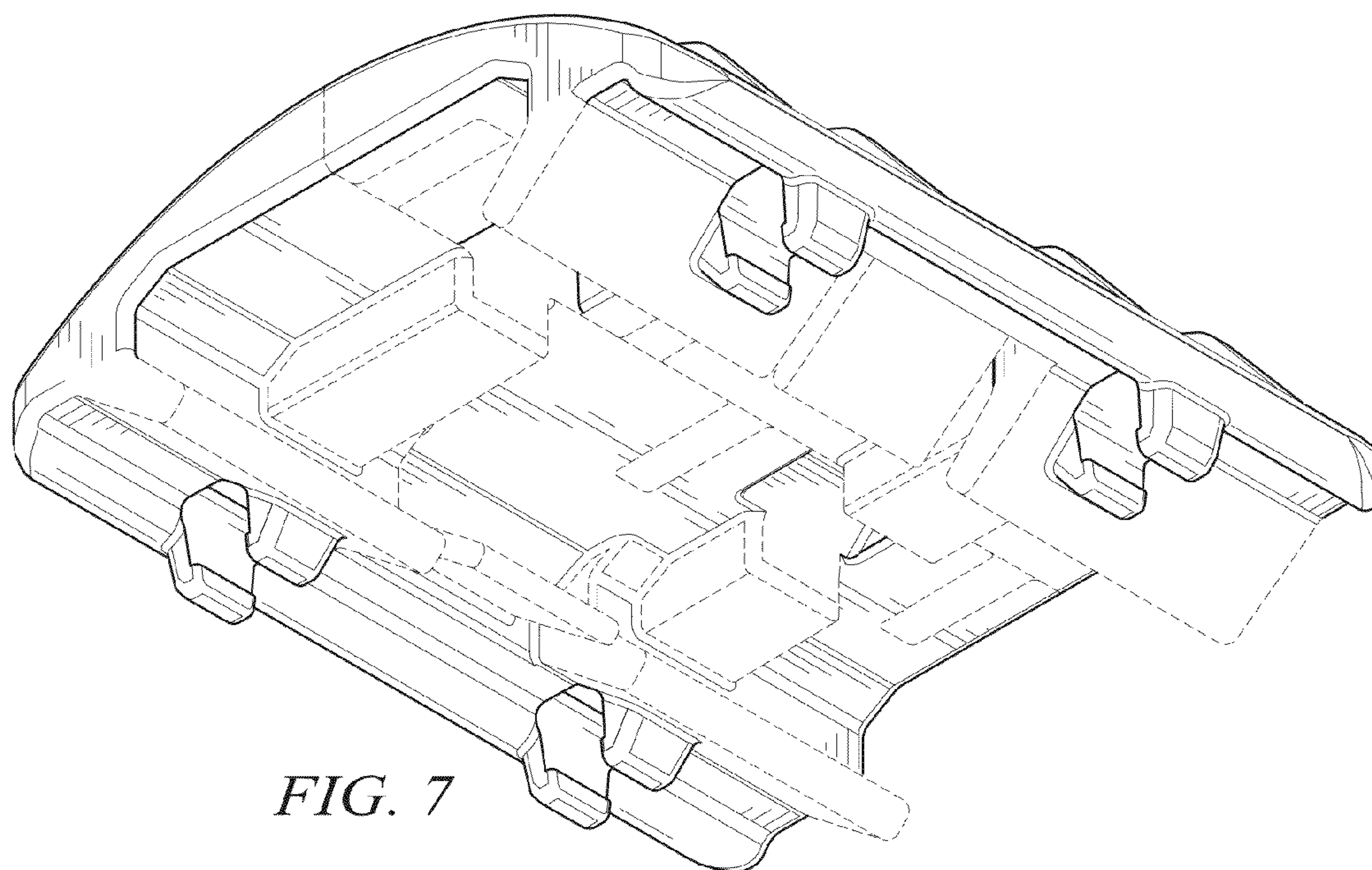
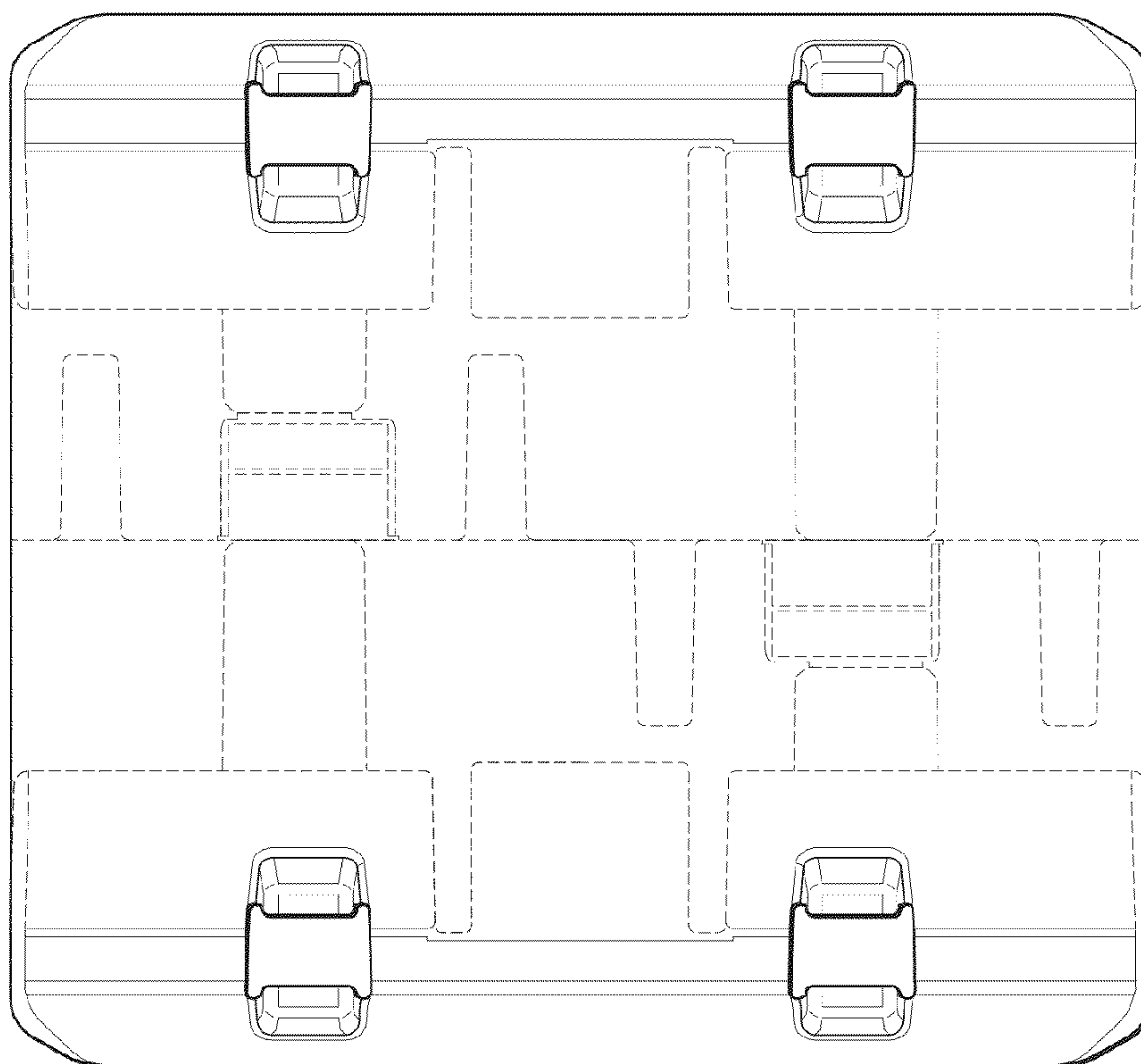


FIG. 7