



US00D704788S

(12) **United States Design Patent**
Russ

(10) **Patent No.:** **US D704,788 S**

(45) **Date of Patent:** **** May 13, 2014**

- (54) **BOLT KNOB FOR A BOLT-ACTION RIFLE**
- (71) Applicant: **Yoachim C. Russ**, Annapolis, MD (US)
- (72) Inventor: **Yoachim C. Russ**, Annapolis, MD (US)
- (**) Term: **14 Years**
- (21) Appl. No.: **29/438,471**
- (22) Filed: **Nov. 30, 2012**
- (51) **LOC (10) Cl.** **22-01**
- (52) **U.S. Cl.**
USPC **D22/108**
- (58) **Field of Classification Search**
USPC D22/108; 42/1.01–1.07, 2, 10–26, 34,
42/36, 37, DIG. 1; 89/40.06, 41.19, 37.04,
89/33.04, 191.01, 200–204; 124/67, 66,
124/72, 74
See application file for complete search history.

3,668,800	A *	6/1972	Sefried, II	42/16
3,979,849	A *	9/1976	Haskins	42/16
5,941,004	A *	8/1999	Pedersoli	42/51
6,189,253	B1 *	2/2001	Knight et al.	42/51
D642,652	S *	8/2011	Juarez et al.	D22/108
8,302,340	B1 *	11/2012	Irwin	42/16
2012/0030981	A1 *	2/2012	Constant et al.	42/16

* cited by examiner

Primary Examiner — Michael A Pratt

(74) *Attorney, Agent, or Firm* — Lawrence G. Fridman

(57) **CLAIM**

The ornamental design for a bolt knob for a bolt-action rifle, as shown and described.

DESCRIPTION

FIG. 1 is a perspective view of a bolt knob for a bolt-action rifle showing my new design;
 FIG. 2 is a front elevational view thereof;
 FIG. 3 is a rear elevational view thereof;
 FIG. 4 is a one side elevational view thereof;
 FIG. 5 is another side elevational view thereof;
 FIG. 6 is a semi-perspective top view thereof;
 FIG. 7 is a semi-perspective bottom view thereof; and,
 FIG. 8 is a view of the bolt knob positioned on a bolt-action rifle.

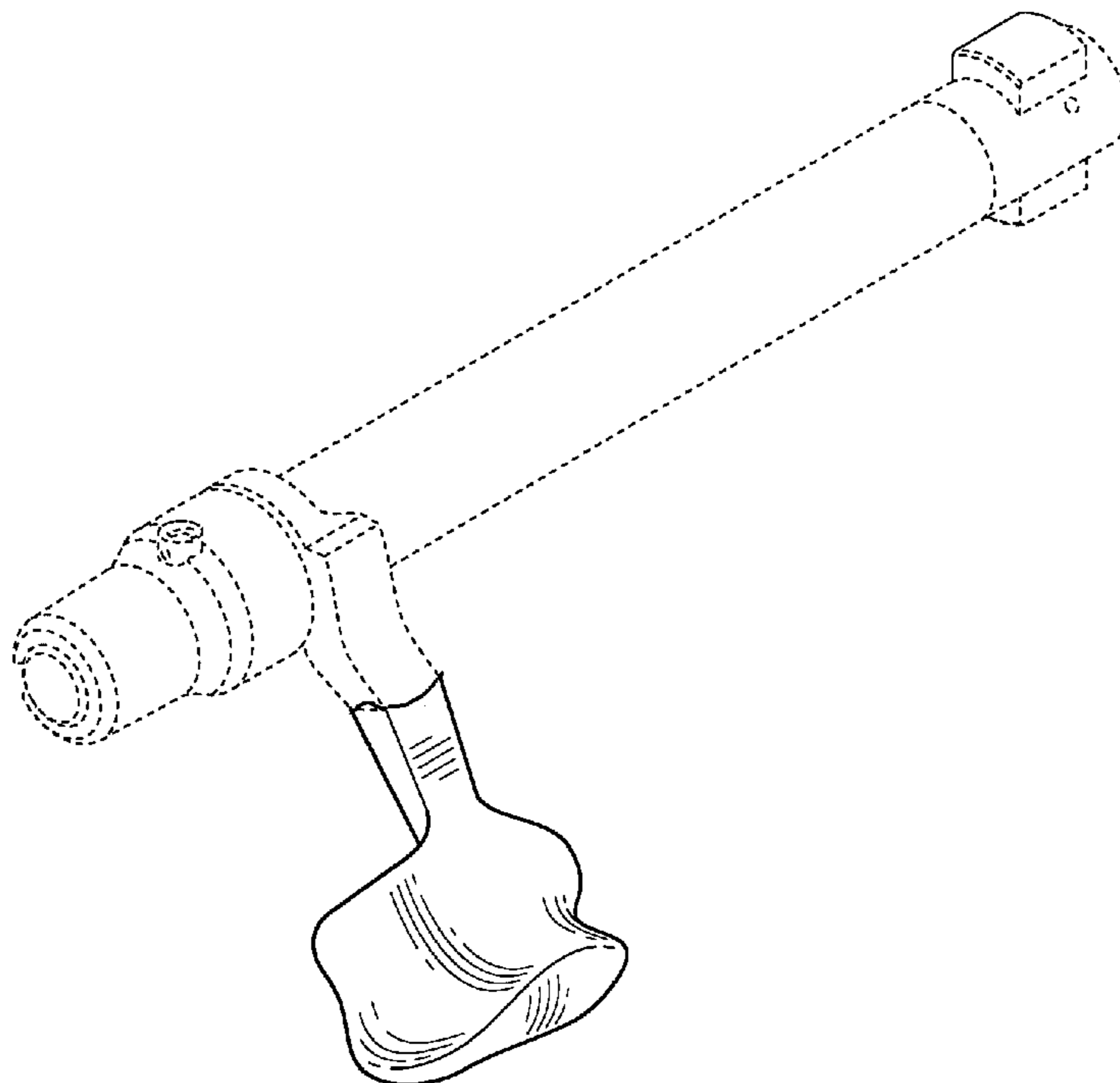
The broken line showing of aspects of the claimed design is included for the purpose of illustrating environment and forms no part of the claimed design.

1 Claim, 5 Drawing Sheets

(56) **References Cited**

U.S. PATENT DOCUMENTS

1,549,235	A *	8/1925	Valero	42/16
2,147,185	A *	2/1939	Ahern	42/16
2,230,252	A *	2/1941	Landen	42/16
D139,328	S *	10/1944	Mossberg	D22/108
2,685,814	A *	8/1954	Sloan	356/17
2,803,079	A *	8/1957	Heilman	42/16
3,330,061	A *	7/1967	Koon, Jr.	42/16
D218,304	S *	8/1970	Ruger	D22/108



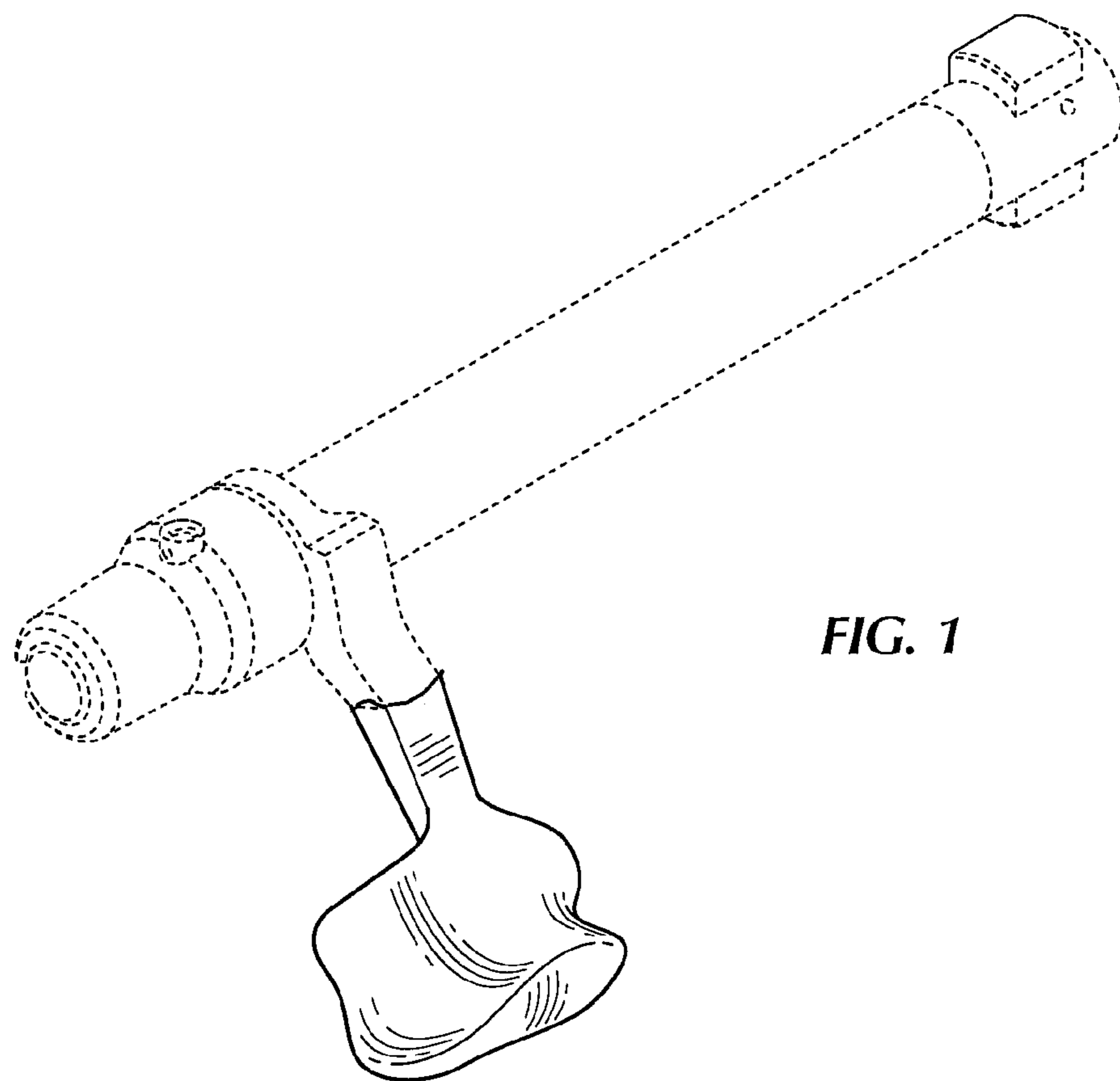
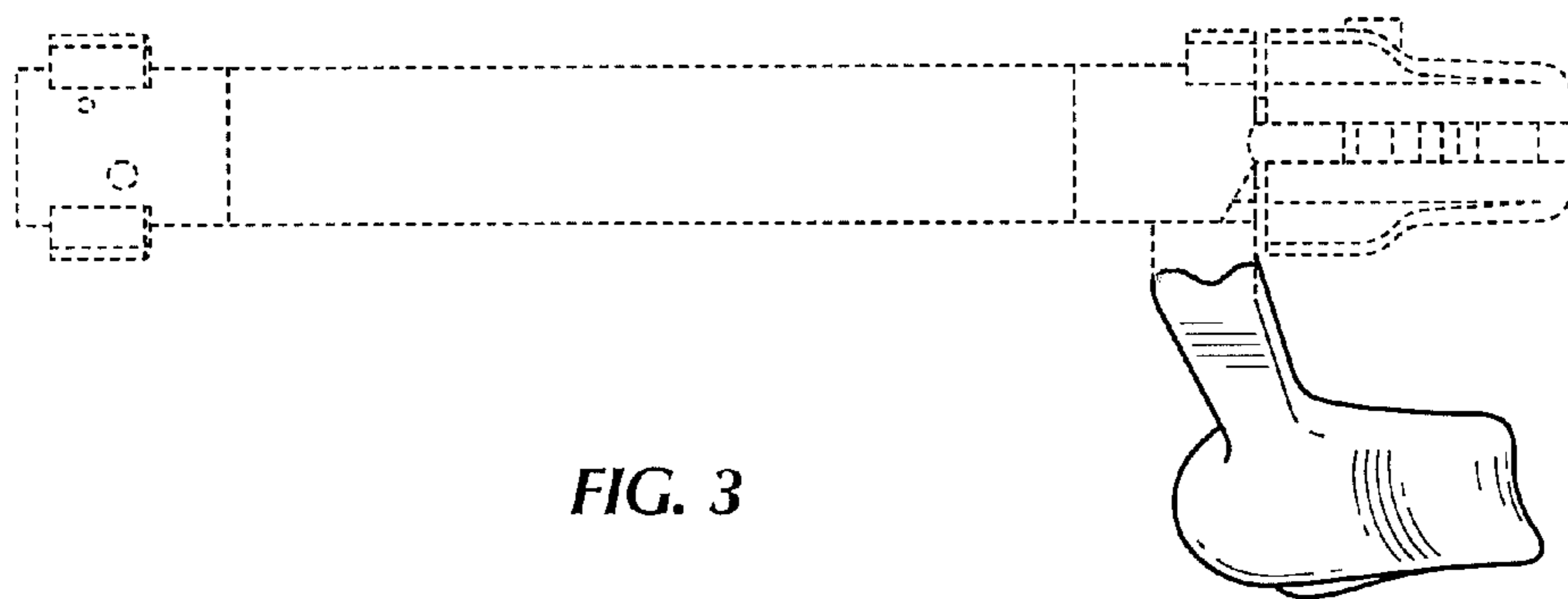
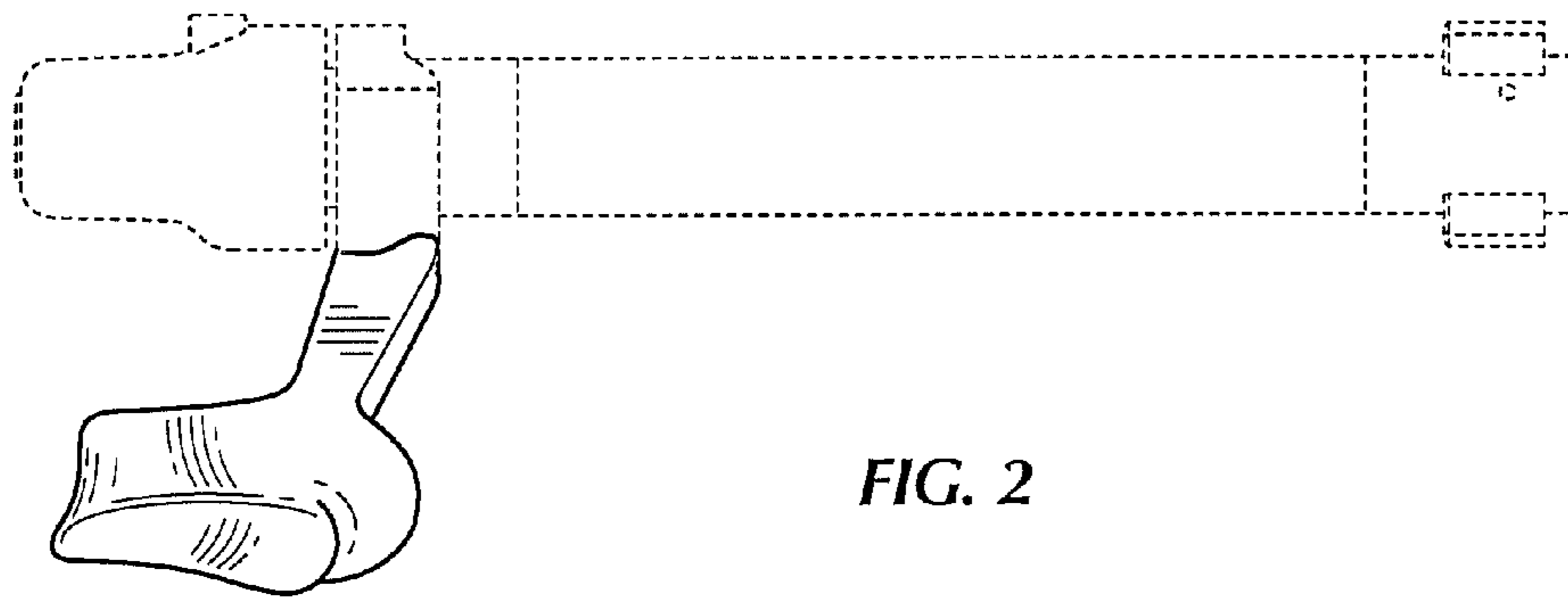


FIG. 1



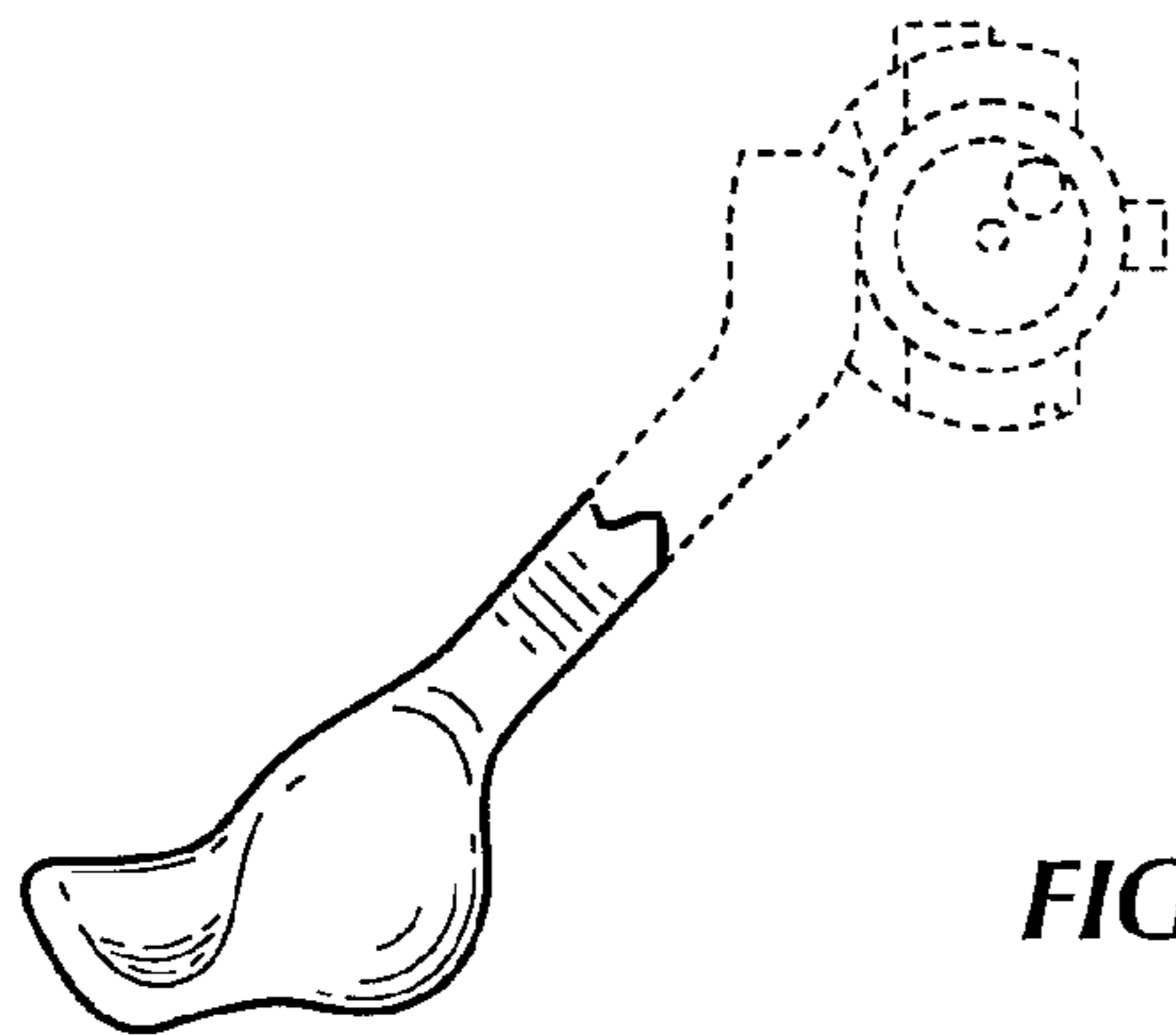


FIG. 4

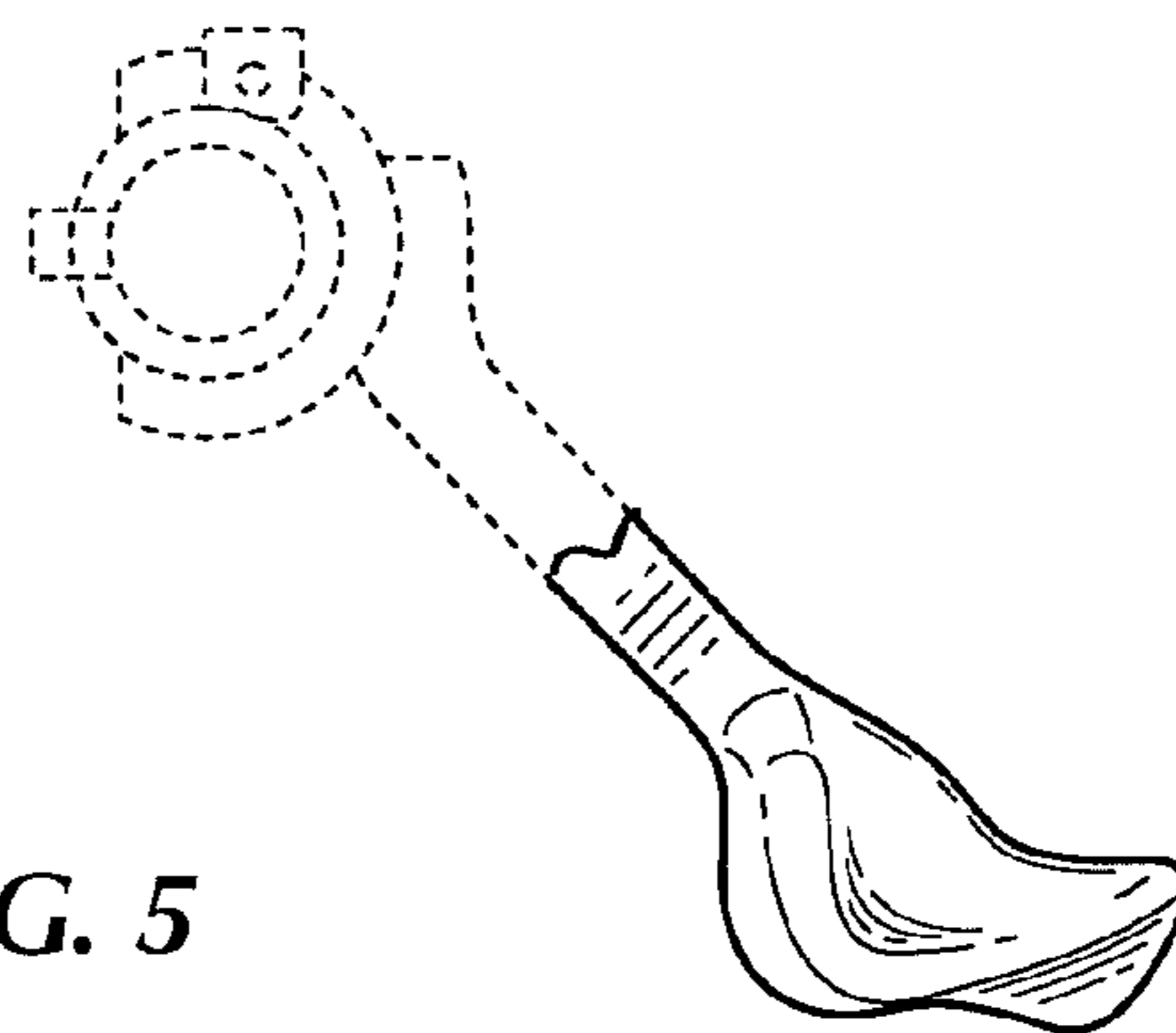
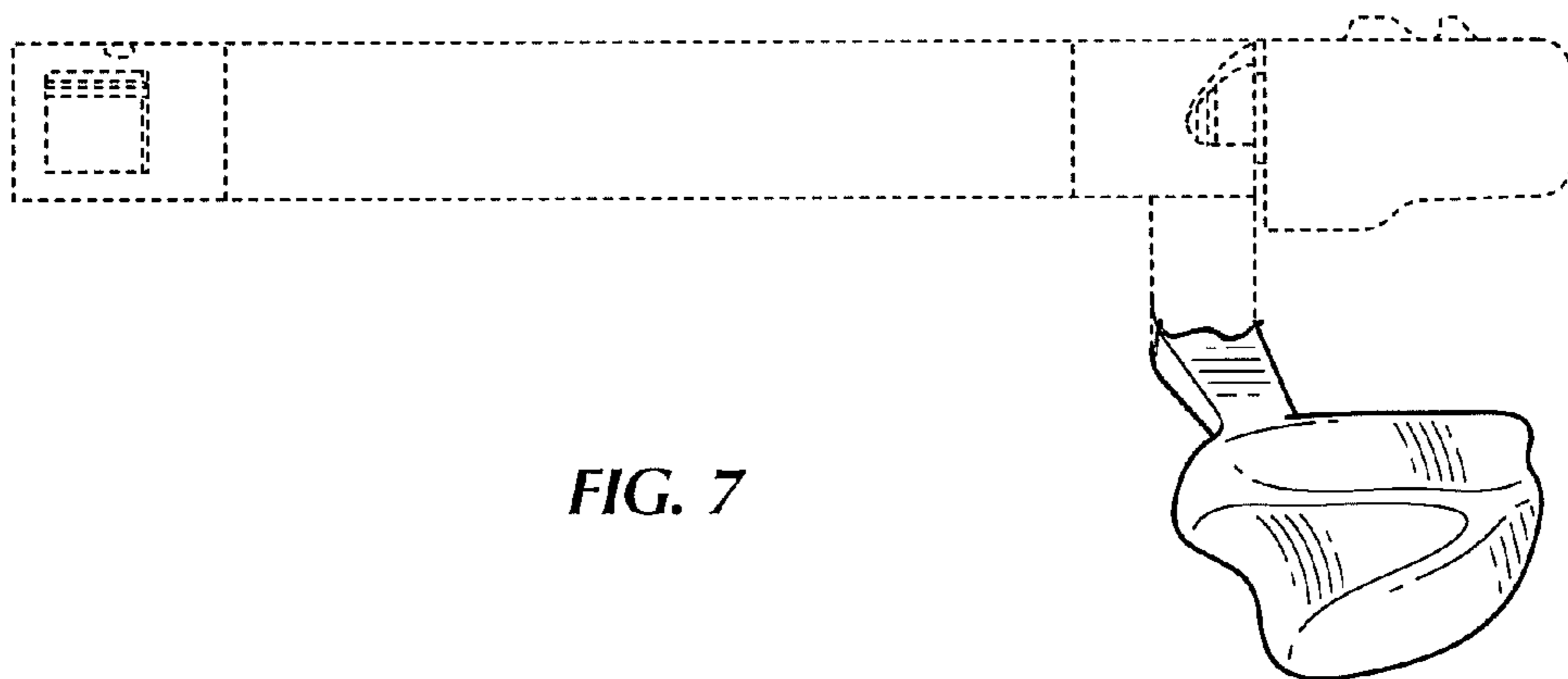
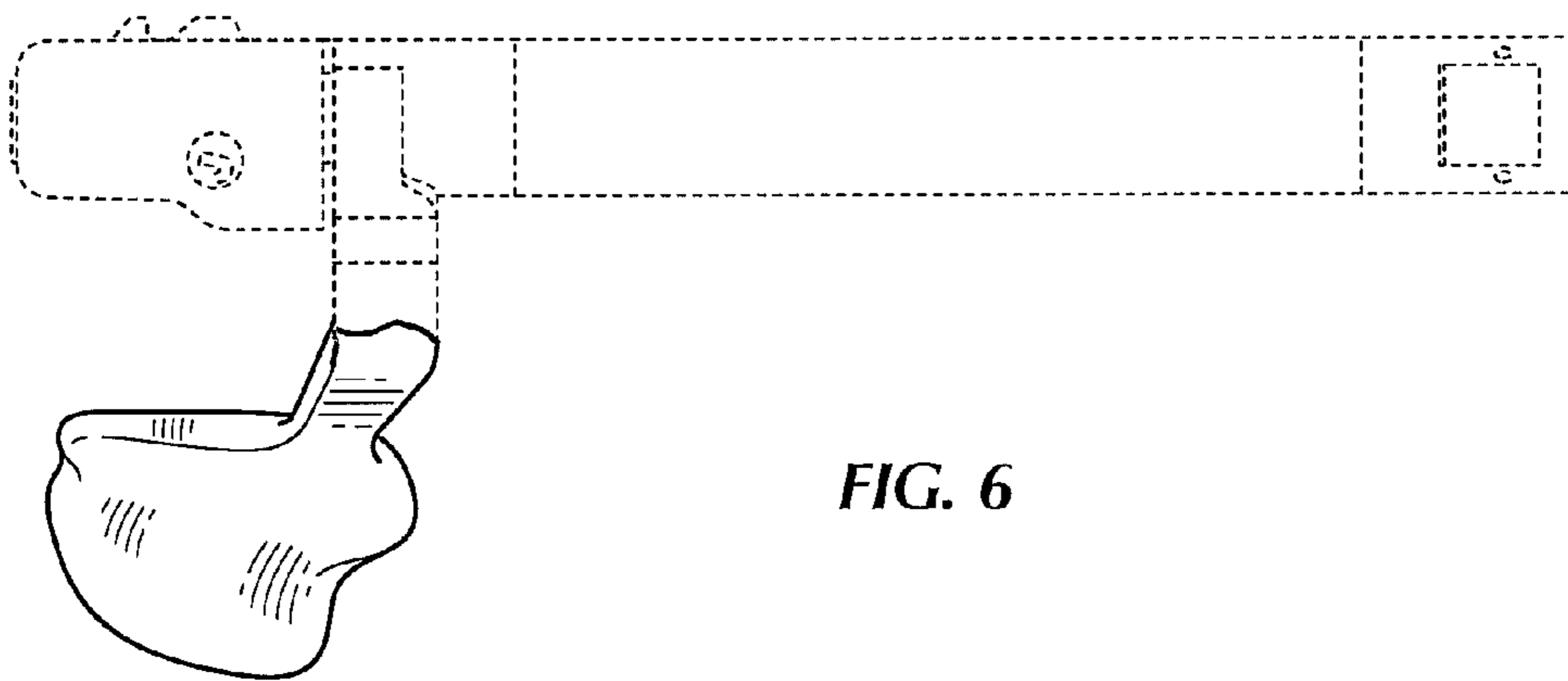


FIG. 5



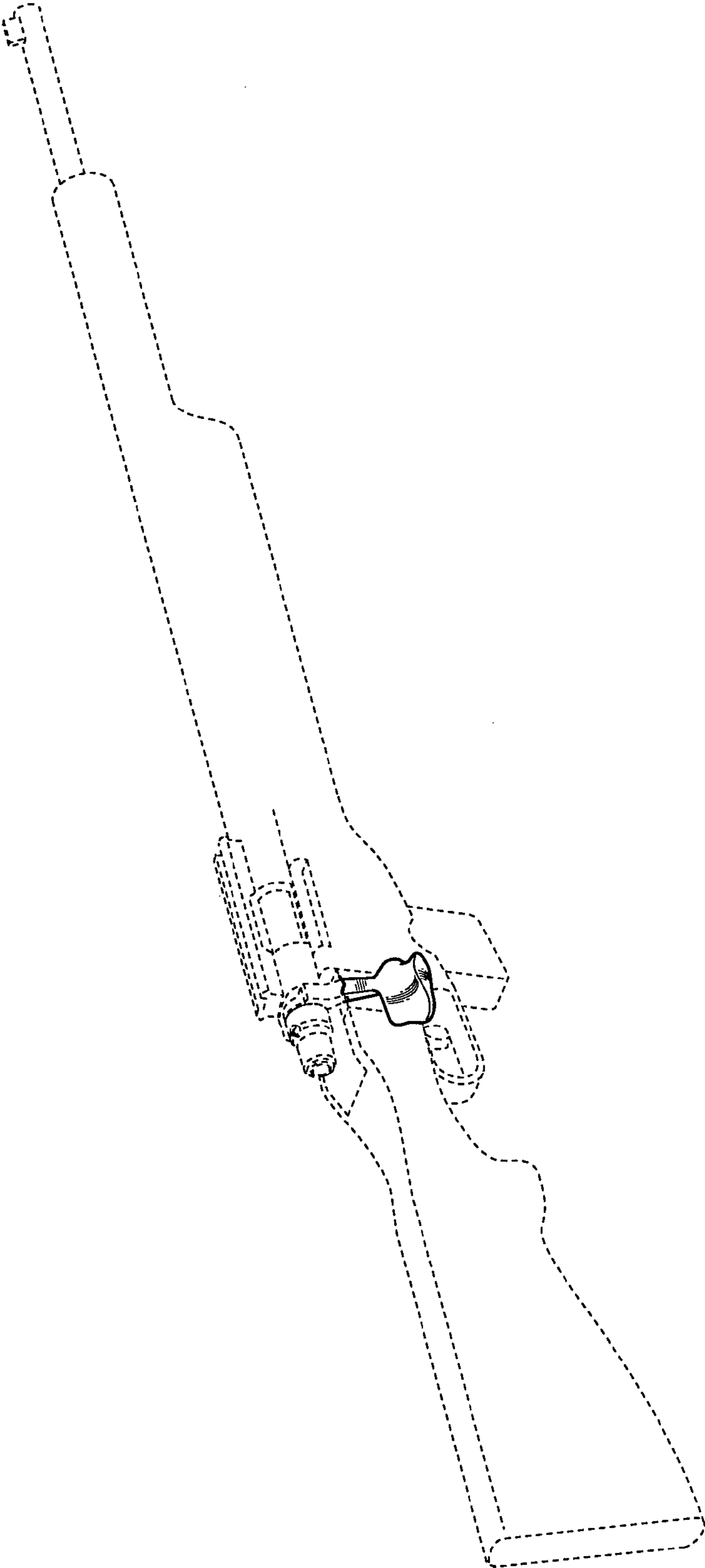


FIG. 8