



US00D704787S

(12) **United States Design Patent**
Gryspeerd

(10) **Patent No.:** **US D704,787 S**

(45) **Date of Patent:** **** May 13, 2014**

(54) **ARROW ACCESSORY**

(71) Applicant: **David Gryspeerd**, Chesterfield, MI (US)

(72) Inventor: **David Gryspeerd**, Chesterfield, MI (US)

(**) Term: **14 Years**

(21) Appl. No.: **29/443,656**

(22) Filed: **Jan. 21, 2013**

(51) **LOC (10) Cl.** **22-01**

(52) **U.S. Cl.**
USPC **D22/107**

(58) **Field of Classification Search**
USPC D22/107, 115-116; 124/35.2, 89-90,
124/92; 473/582, 578; D21/573
See application file for complete search history.

(56) **References Cited**

U.S. PATENT DOCUMENTS

| | | | | | | |
|--------------|----|---|---------|-------------------|-------|---------|
| D314,416 | S | * | 2/1991 | Rezmer | | D22/115 |
| 5,145,186 | A | | 9/1992 | Maleski | | |
| D330,404 | S | * | 10/1992 | Segovia | | D22/115 |
| D355,468 | S | * | 2/1995 | Lothe | | D22/115 |
| D355,469 | S | * | 2/1995 | Lothe | | D22/115 |
| 6,283,880 | B1 | | 9/2001 | Barrie | | |
| 7,374,505 | B2 | | 5/2008 | Polando | | |
| 7,651,421 | B2 | | 1/2010 | Smith et al. | | |
| 8,016,703 | B1 | | 9/2011 | Kronengold et al. | | |
| 8,057,330 | B2 | | 11/2011 | Blosser et al. | | |
| 8,147,360 | B2 | * | 4/2012 | Simo et al. | | 473/583 |
| D659,218 | S | | 5/2012 | Palomaki et al. | | |
| 2009/0163308 | A1 | | 6/2009 | Odabachian et al. | | |

OTHER PUBLICATIONS

Pat Norris Archery Online Catalog www.patnorrisarchery.com/catalog/images/sg/5315.jpg Jan. 8, 2013.

Cabela's: Adder Points Zoom Cabela's Online Catalog www.cabelas.com/catalog/largeImagePopup.jsp?productId=744846 Jan. 8, 2013.

* cited by examiner

Primary Examiner — Michael A Pratt

(74) *Attorney, Agent, or Firm* — Goldstein Law Offices, P.C.

(57) **CLAIM**

The ornamental design for an arrow accessory, as shown and described.

DESCRIPTION

FIG. 1 is a perspective view of a first embodiment of an arrow accessory in full lines.

FIG. 2 is a top plan view of thereof.

FIG. 3 is a bottom plan view thereof.

FIG. 4 is a front elevational view thereof.

FIG. 5 is a rear elevational view thereof.

FIG. 6 is a right side elevational view thereof.

FIG. 7 is a left side elevational view thereof.

FIG. 8 is a perspective view of a second embodiment of an arrow accessory in full lines.

FIG. 9 is a top plan view thereof.

FIG. 10 is a bottom plan view thereof.

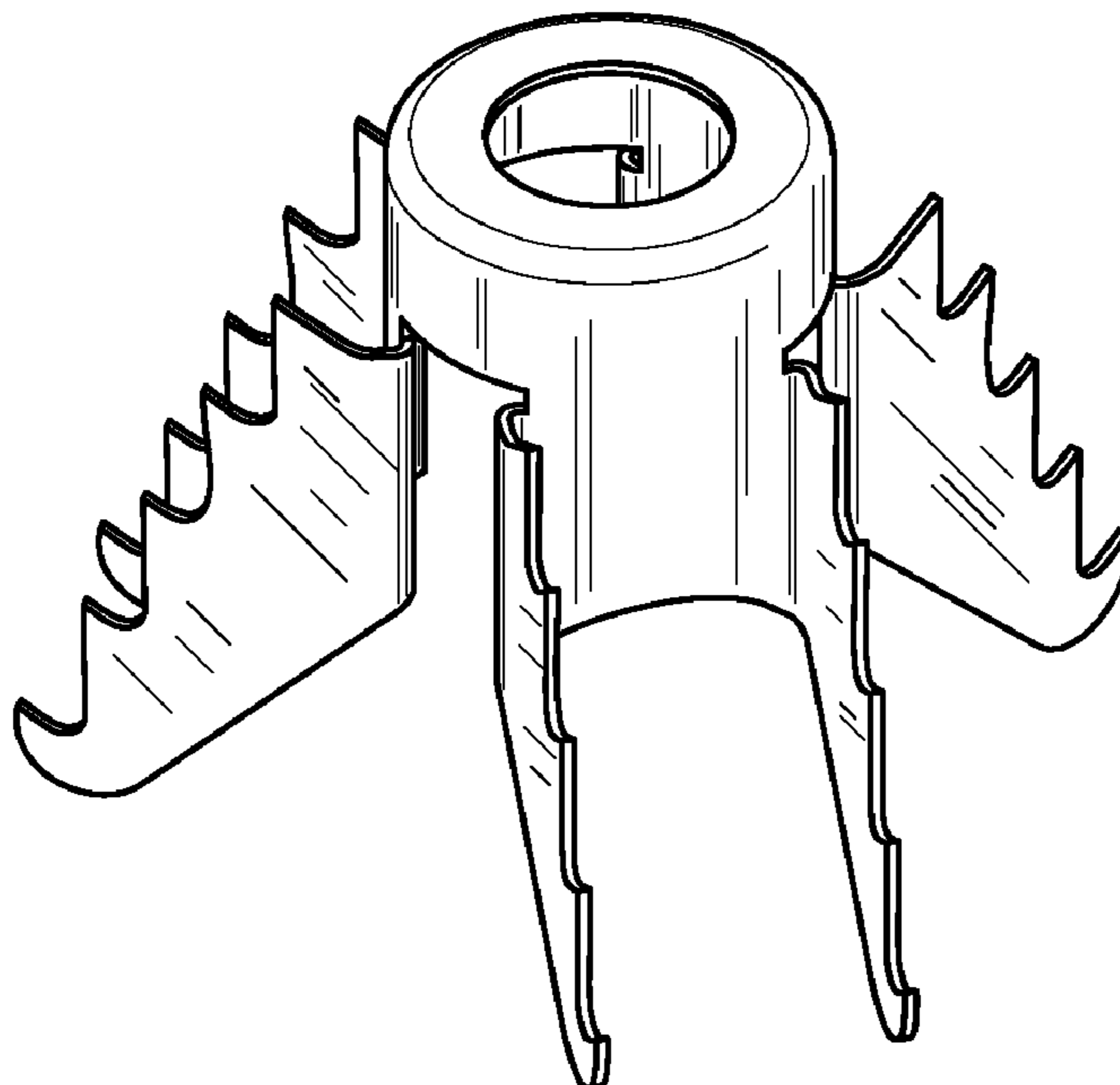
FIG. 11 is a front elevational view thereof.

FIG. 12 is a rear elevational view thereof.

FIG. 13 is a right side elevational view thereof; and,

FIG. 14 is a left side elevational view thereof.

1 Claim, 8 Drawing Sheets



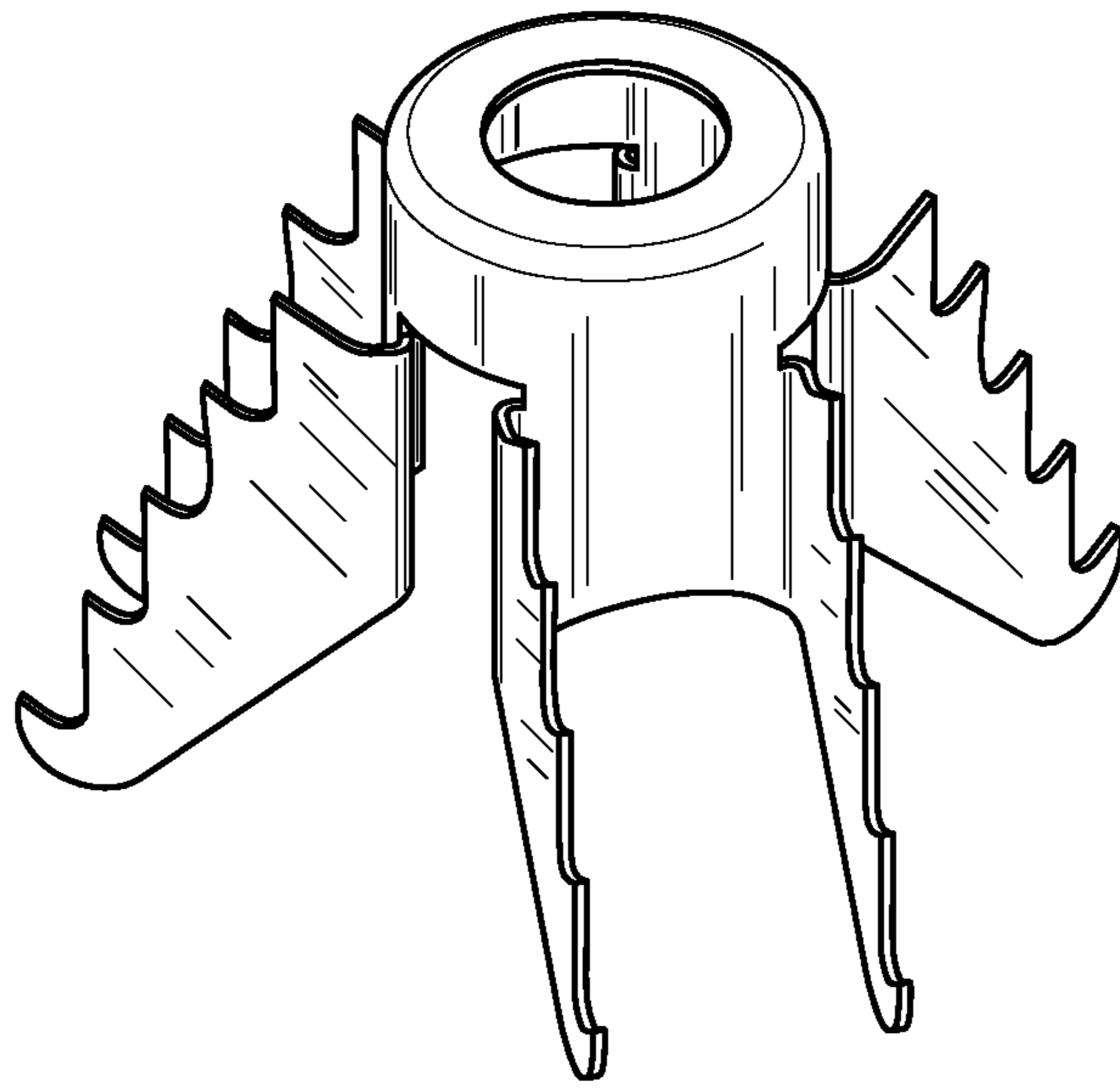


FIG. 1

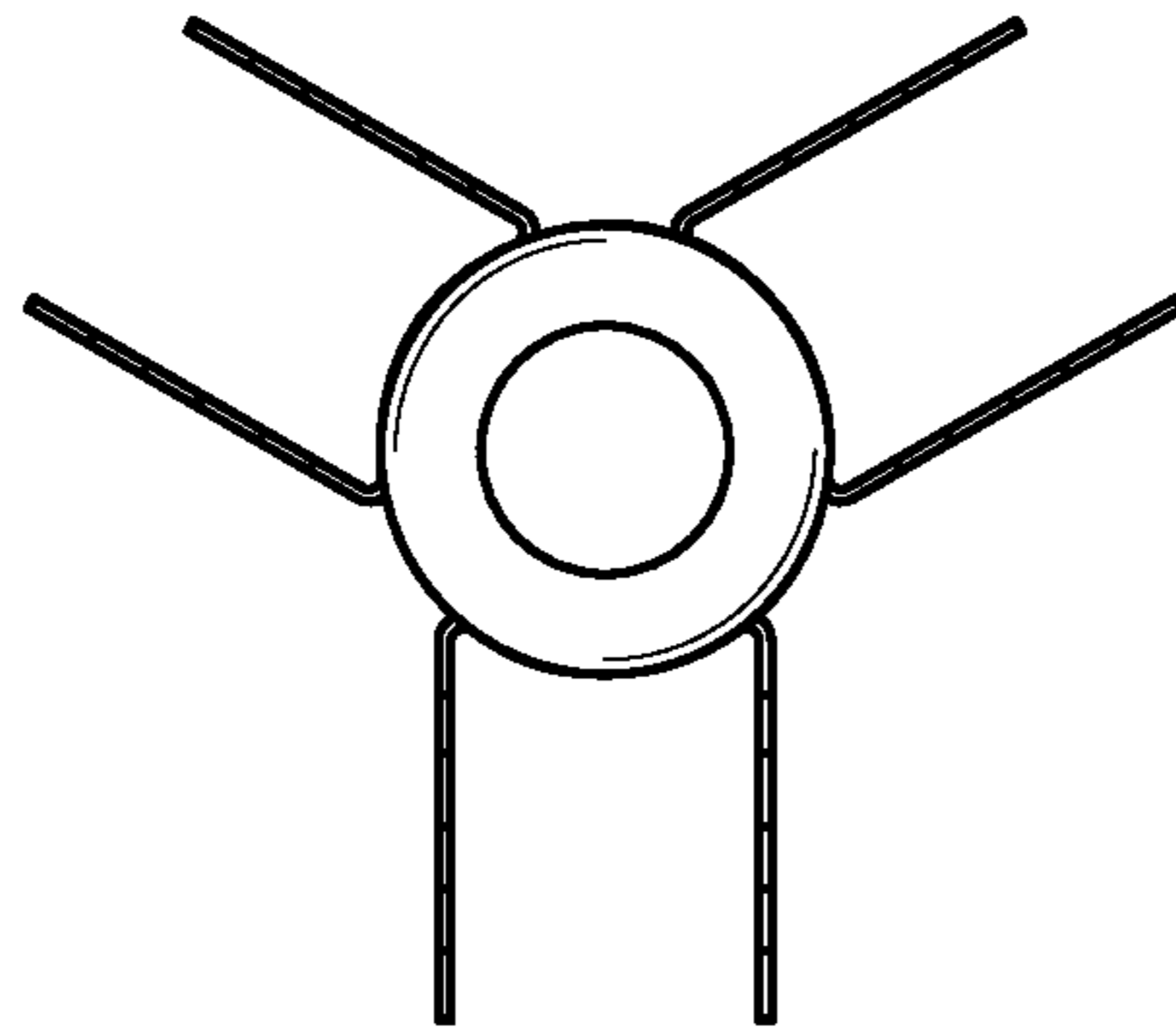


FIG. 2

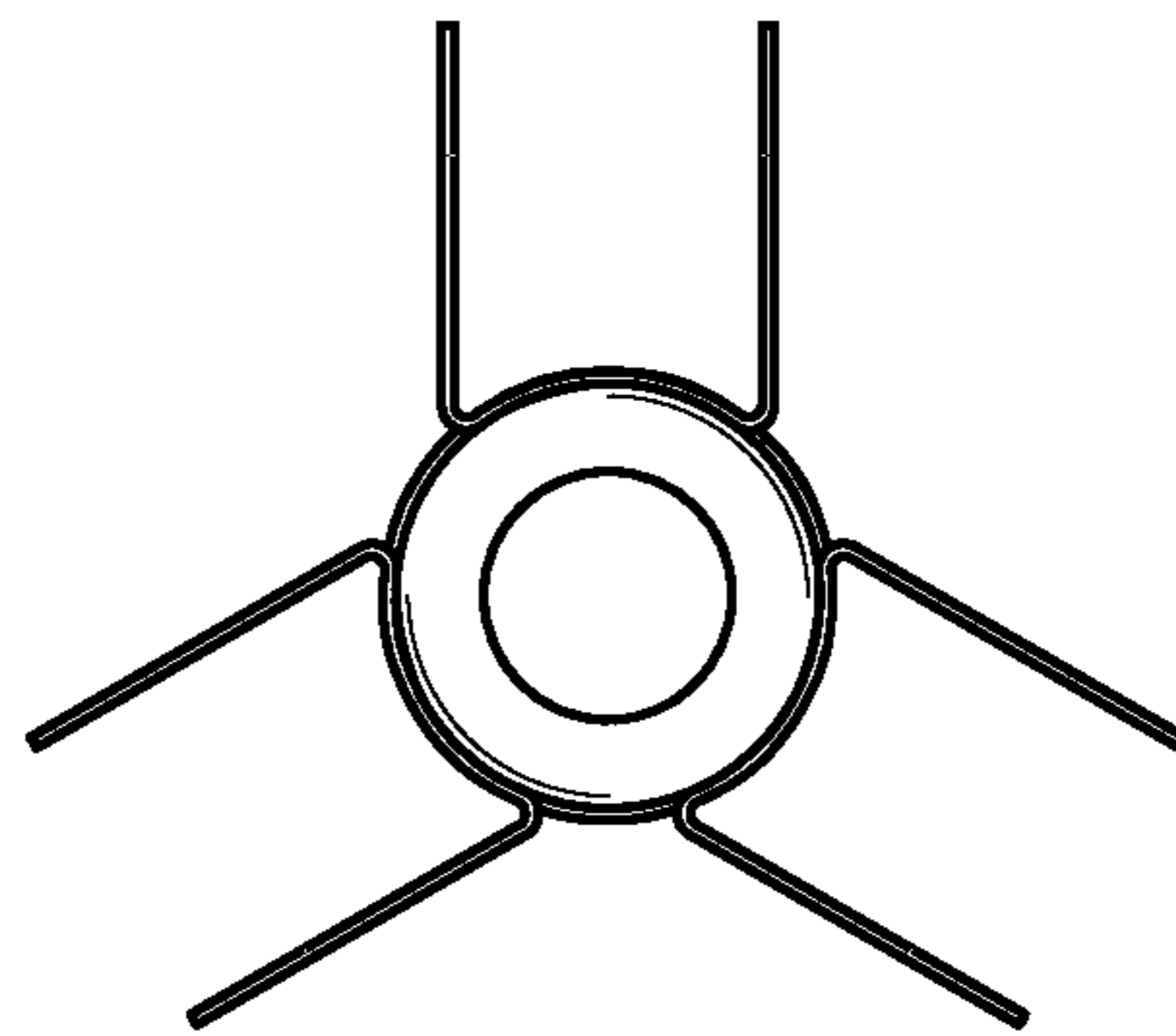


FIG. 3

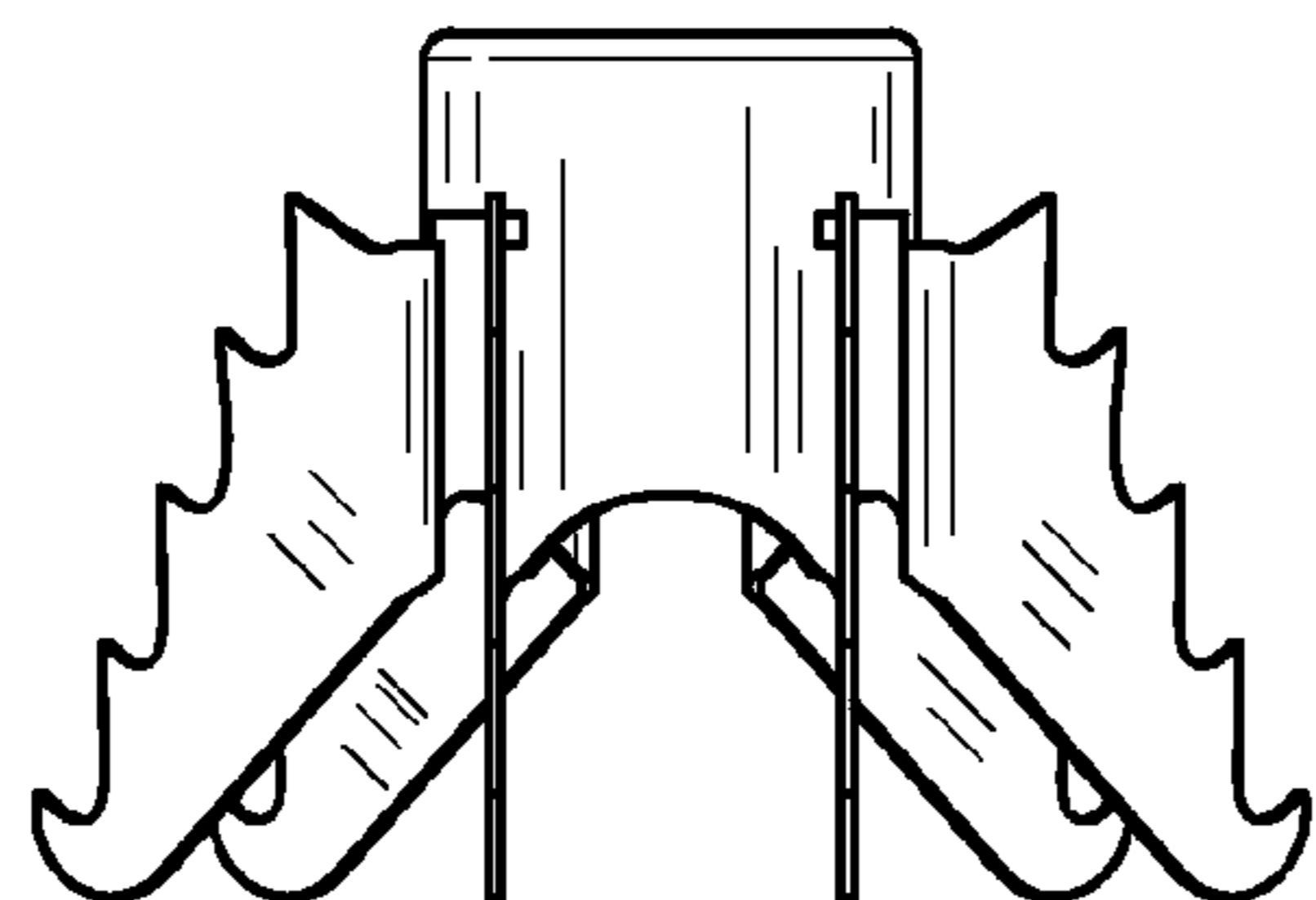


FIG. 4

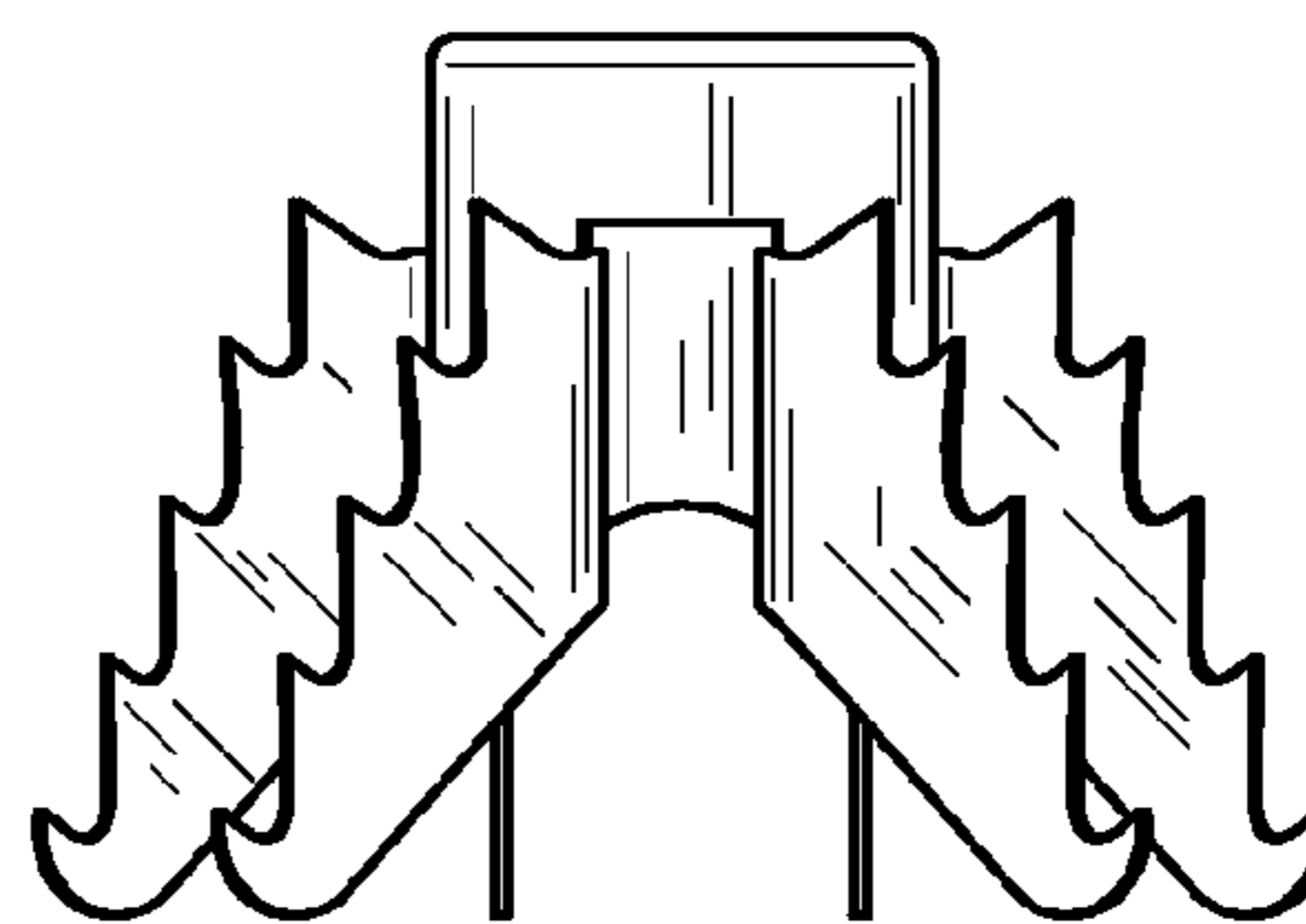


FIG. 5

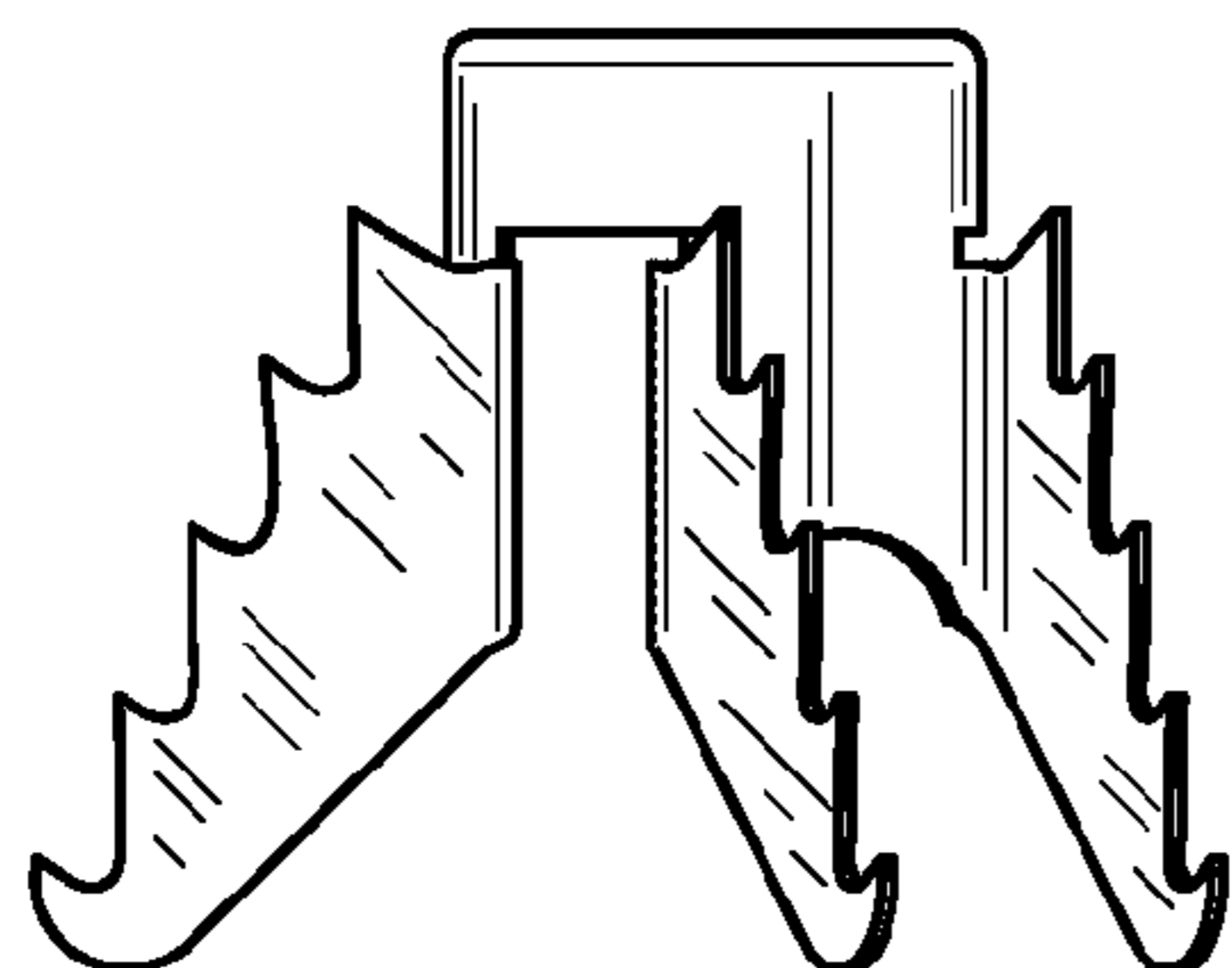


FIG. 6

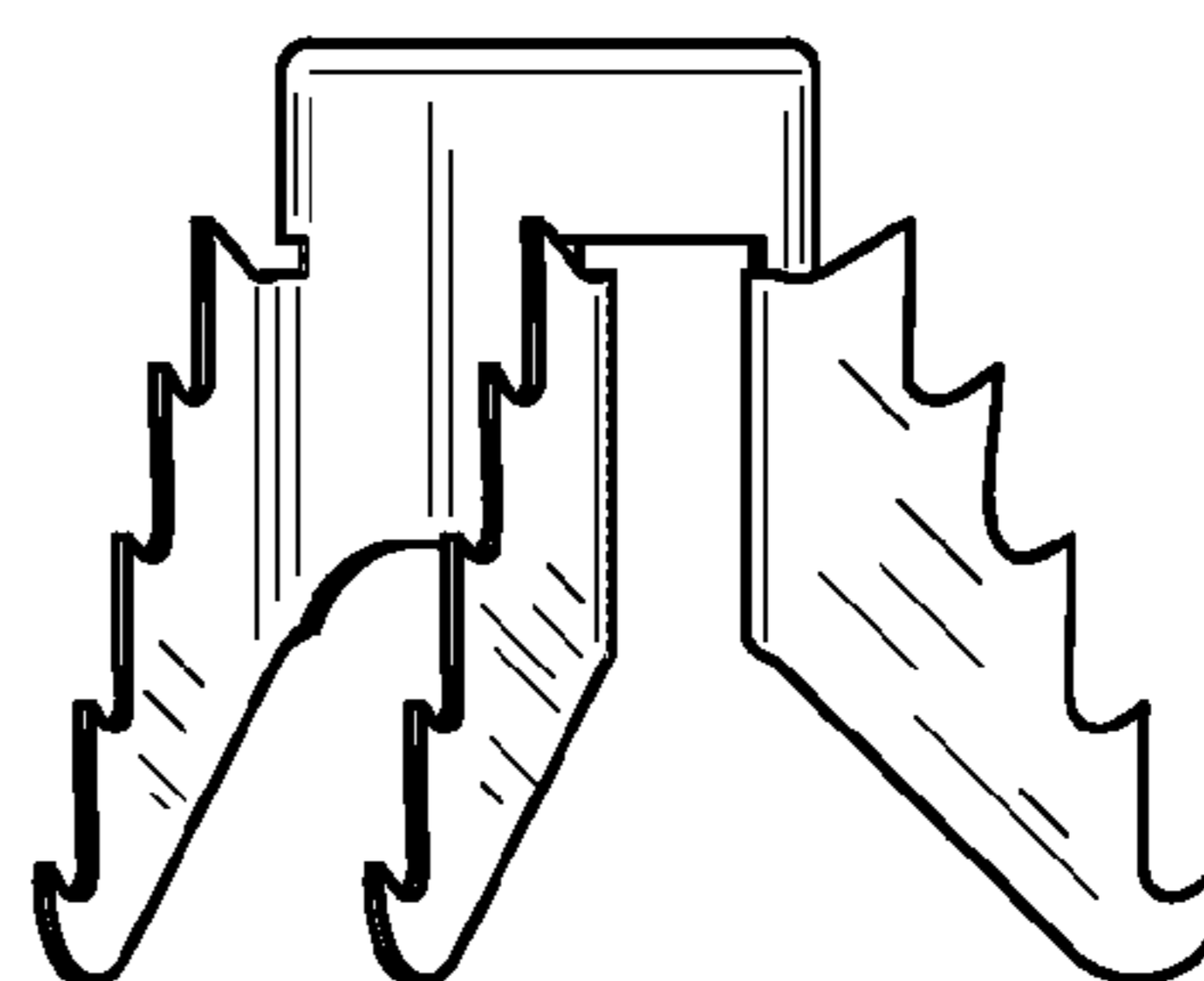


FIG. 7

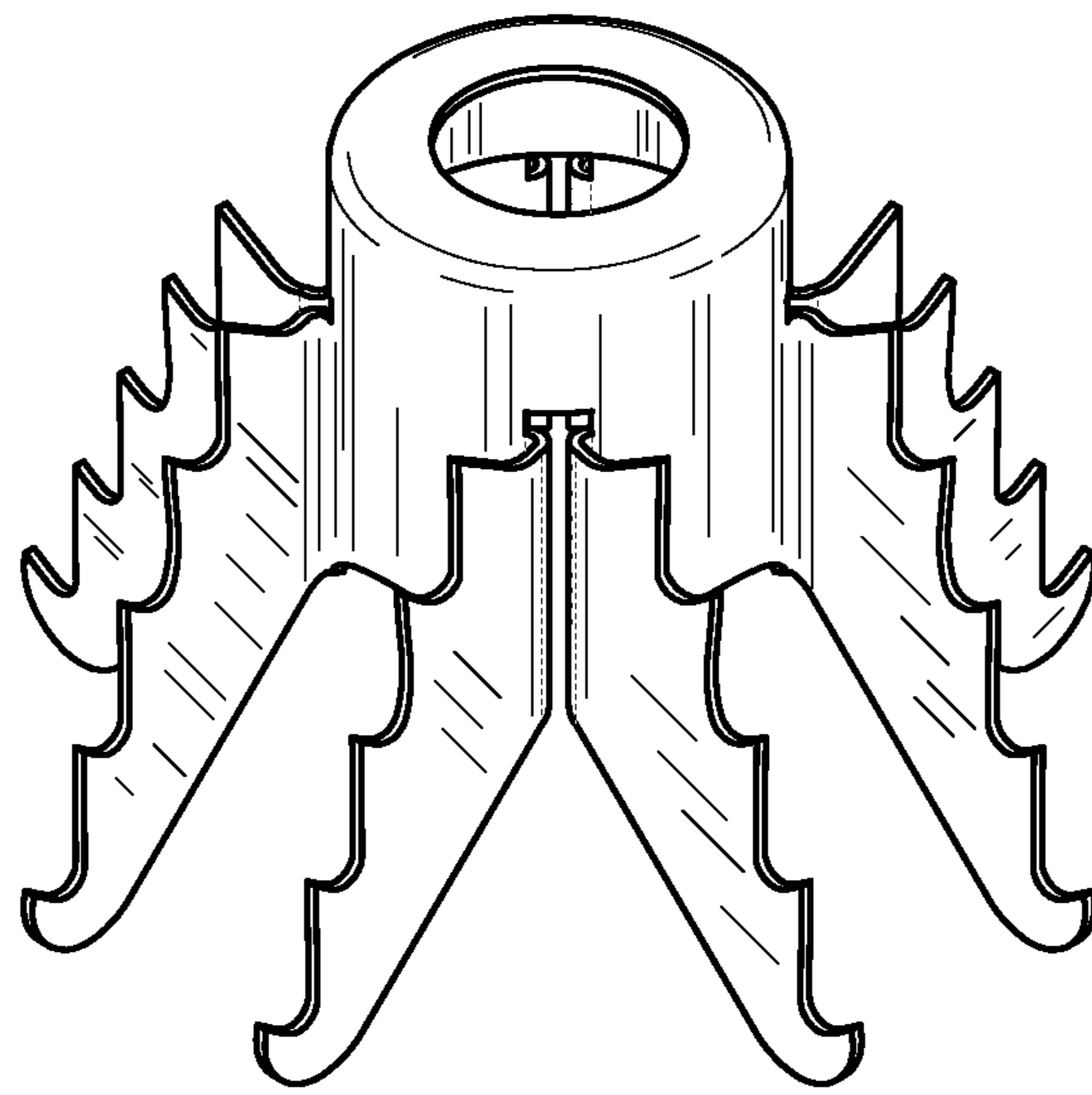


FIG. 8

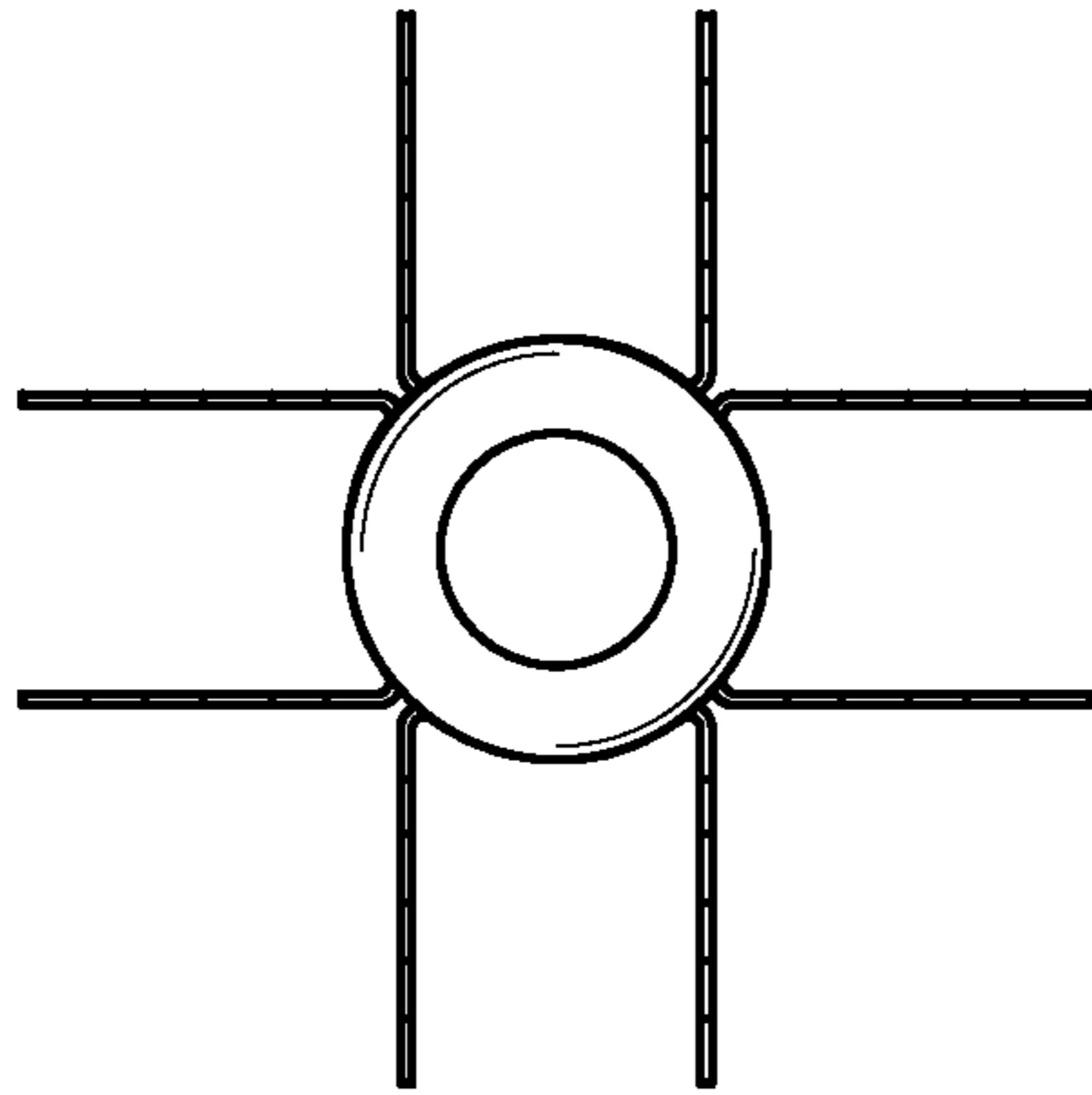


FIG. 9

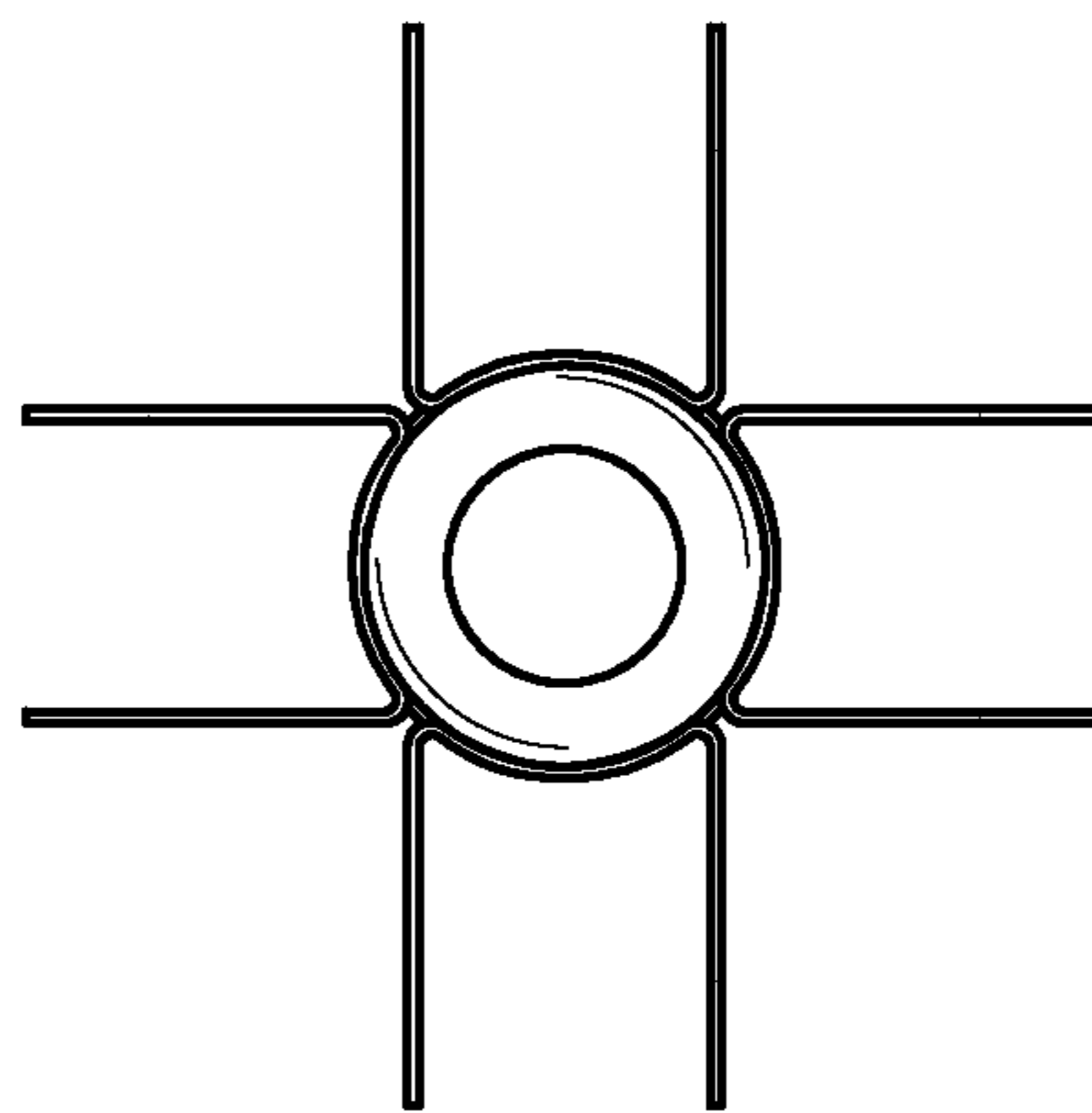


FIG. 10

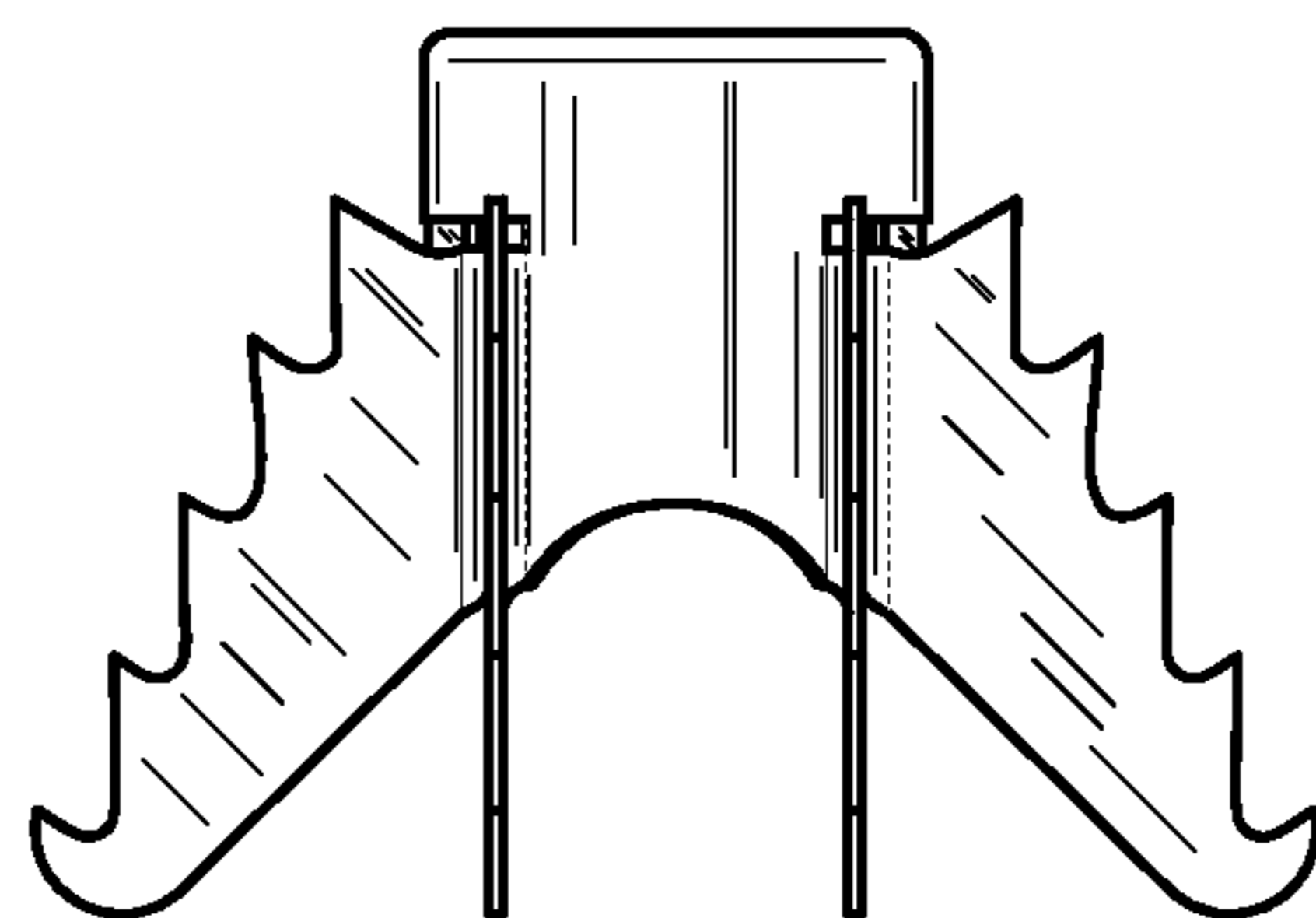


FIG. 11

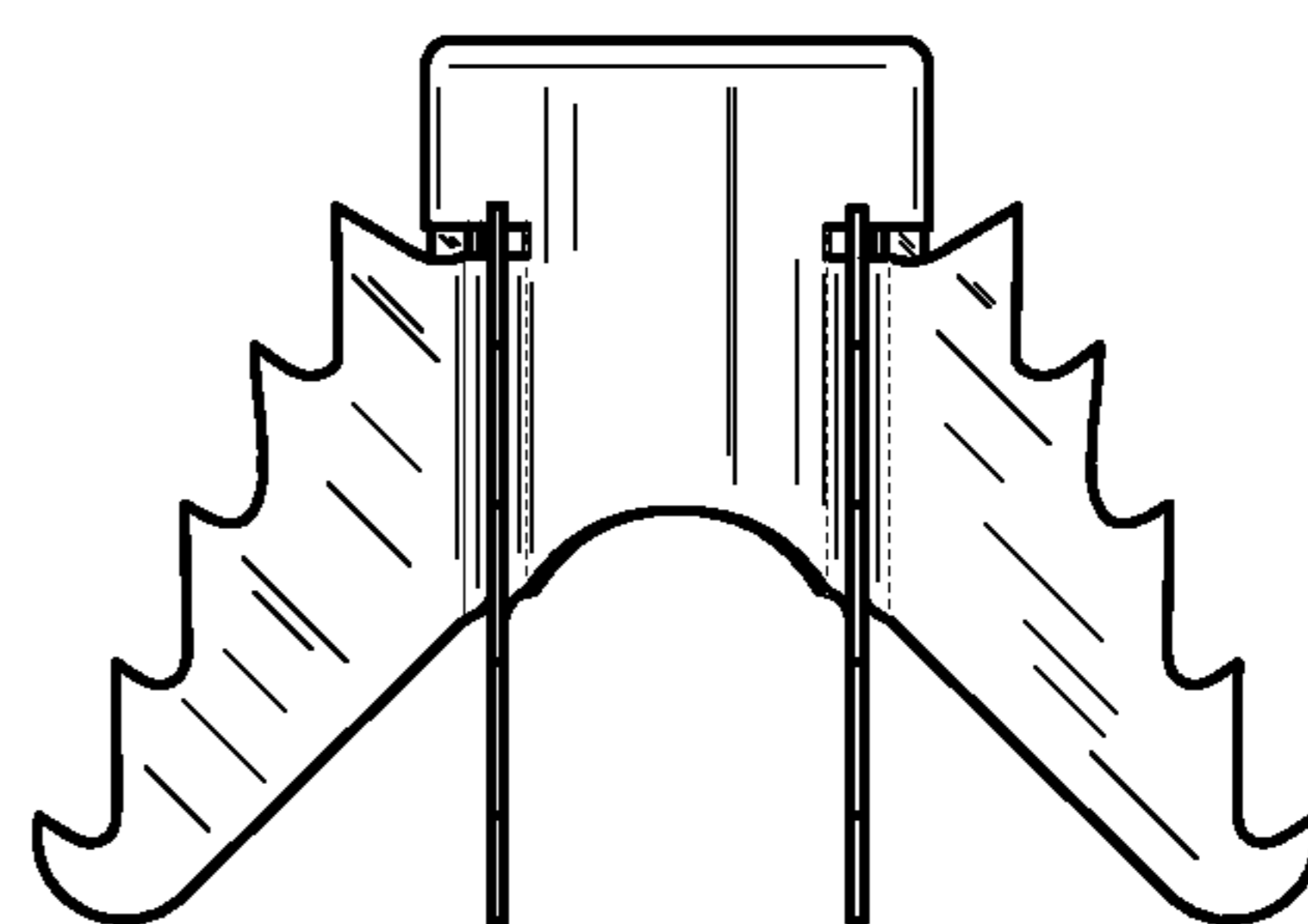


FIG. 12

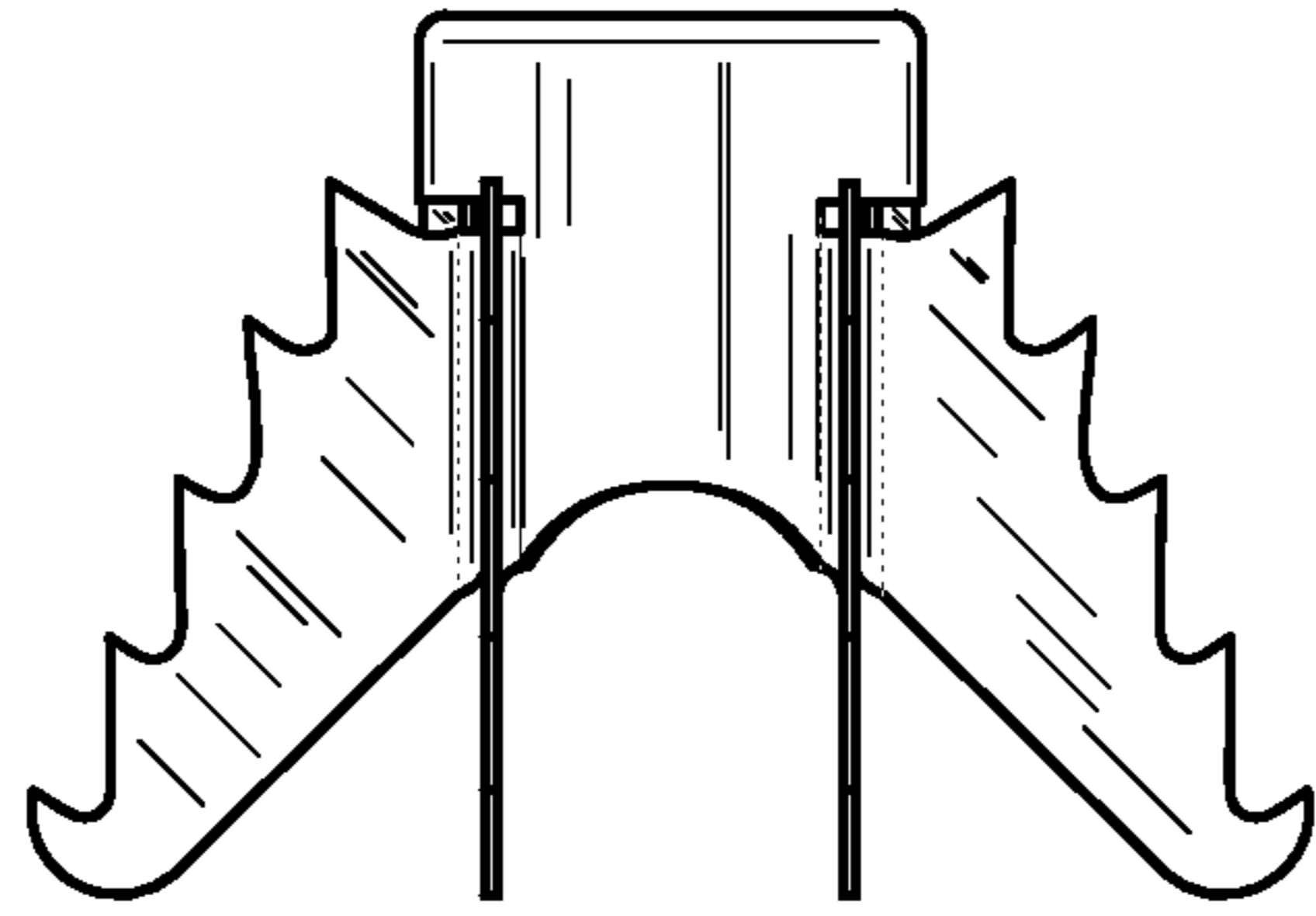


FIG. 13

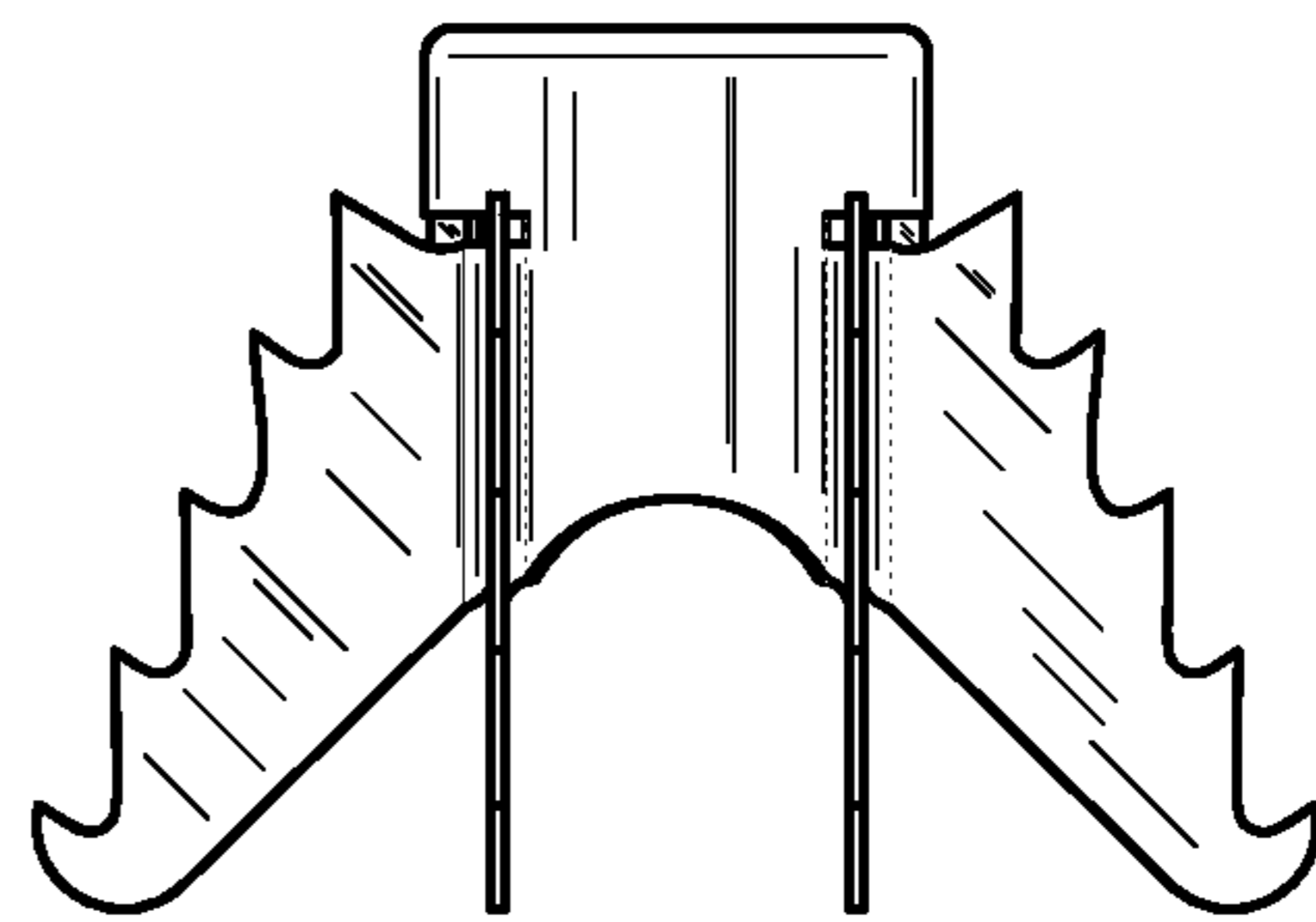


FIG. 14