



US00D704786S

(12) **United States Design Patent**  
**Tang**

(10) **Patent No.:** **US D704,786 S**

(45) **Date of Patent:** **\*\* May 13, 2014**

(54) **SKATEBOARD**

(71) Applicant: **Cheok Io Tang**, Hong Kong (CN)

(72) Inventor: **Cheok Io Tang**, Hong Kong (CN)

(\*\*) Term: **14 Years**

(21) Appl. No.: **29/454,847**

(22) Filed: **May 15, 2013**

(30) **Foreign Application Priority Data**

Feb. 20, 2013 (CN) ..... 2013 3 0042683

(51) **LOC (10) CL.** ..... **21-02**

(52) **U.S. CL.**  
USPC ..... **D21/765**

(58) **Field of Classification Search**  
USPC ..... D21/419, 421, 423, 426, 662, 760, 765,  
D21/766, 769, 771, 776, 803; D12/1;  
280/7.14, 11.115, 11.19, 11.27, 11.28,  
280/14.21, 79.11, 79.2, 87.01, 87.021,  
280/87.03, 87.041, 87.042, 607, 608, 609,  
280/809; 180/180, 181; 434/247, 253, 258;  
D34/23, 28

See application file for complete search history.

(56) **References Cited**

U.S. PATENT DOCUMENTS

D504,930 S *	5/2005	Joung et al. ....	D21/765
D505,469 S *	5/2005	Joung et al. ....	D21/765
D601,217 S *	9/2009	Jordan .....	D21/765
D620,994 S *	8/2010	Jordan .....	D21/765
8,025,300 B1 *	9/2011	Jordan .....	280/87.042
2006/0012141 A1 *	1/2006	Bouvet .....	280/87.042
2010/0330876 A1 *	12/2010	Carlson et al. ....	446/462

\* cited by examiner

*Primary Examiner* — Cynthia M Chin

(57) **CLAIM**

The ornamental design for a skateboard, as shown and described.

**DESCRIPTION**

FIG. 1 is a perspective view of a skateboard showing my new design;

FIG. 2 is a left side view thereof;

FIG. 3 is a right side view thereof;

FIG. 4 is a front view thereof;

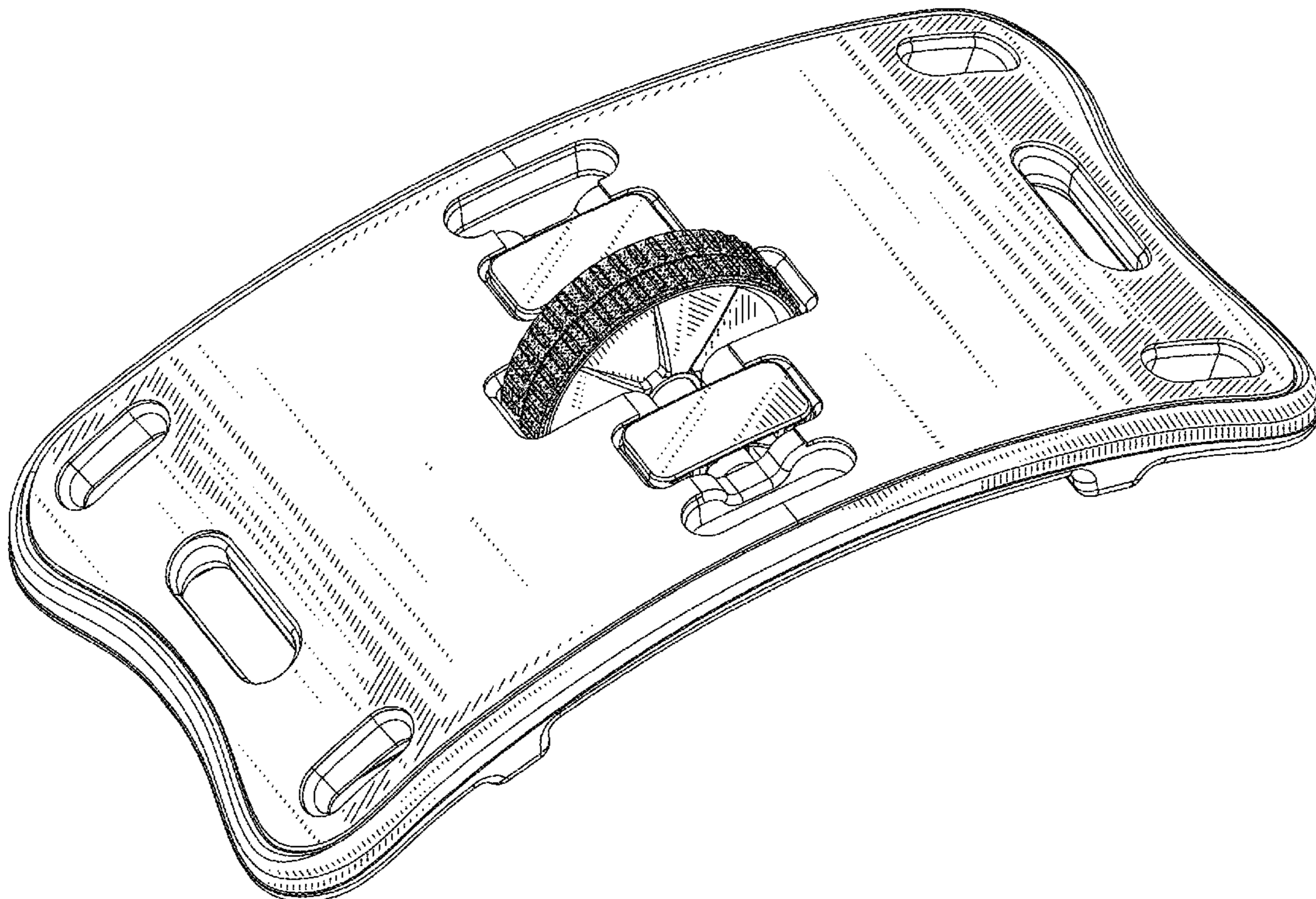
FIG. 5 is a rear view thereof;

FIG. 6 is a top plan view thereof; and,

FIG. 7 is a bottom plan view thereof.

The broken lines shown are included for the purpose of illustrating the unclaimed portions of the article and form no part of the claimed design.

**1 Claim, 6 Drawing Sheets**



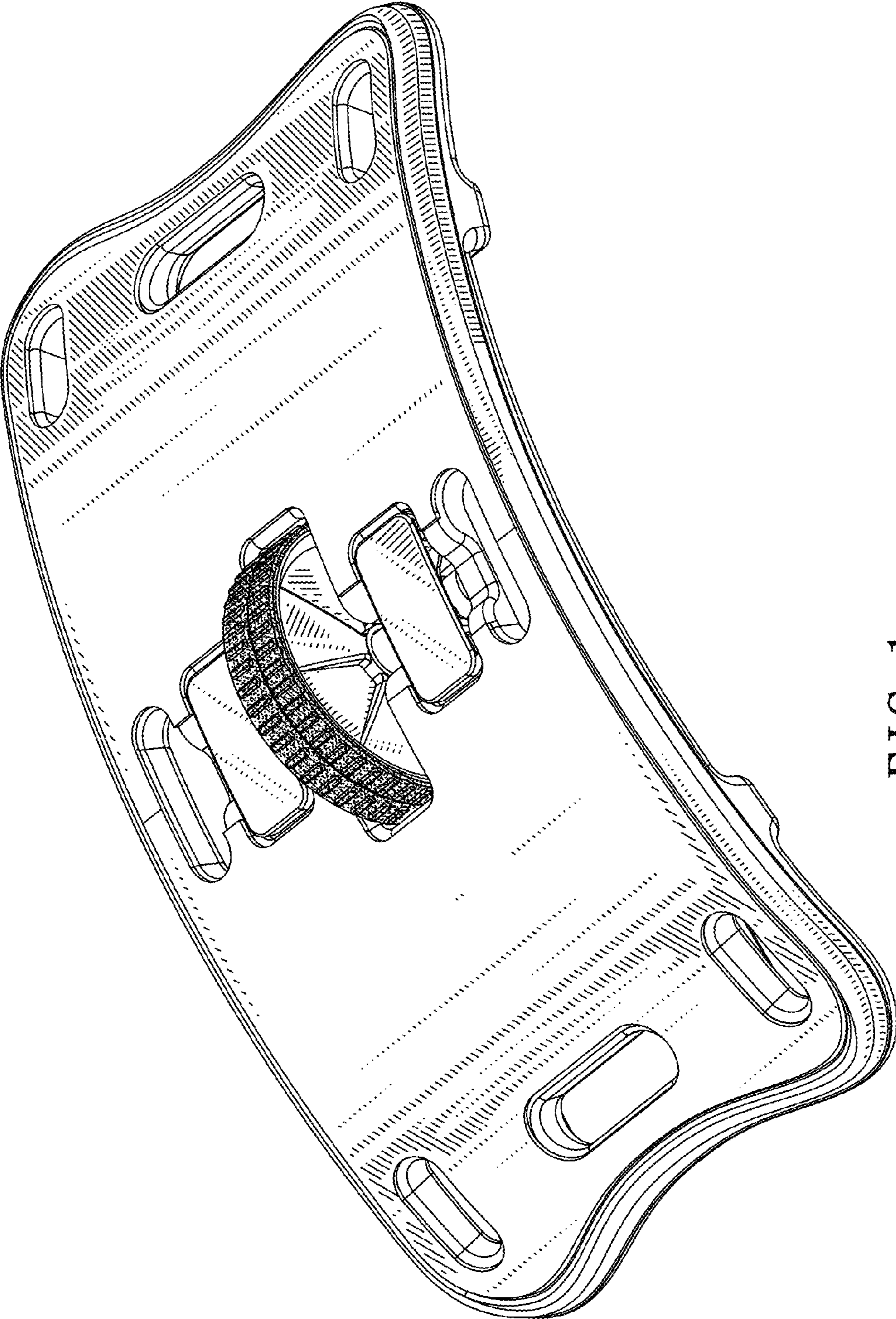


FIG. 1

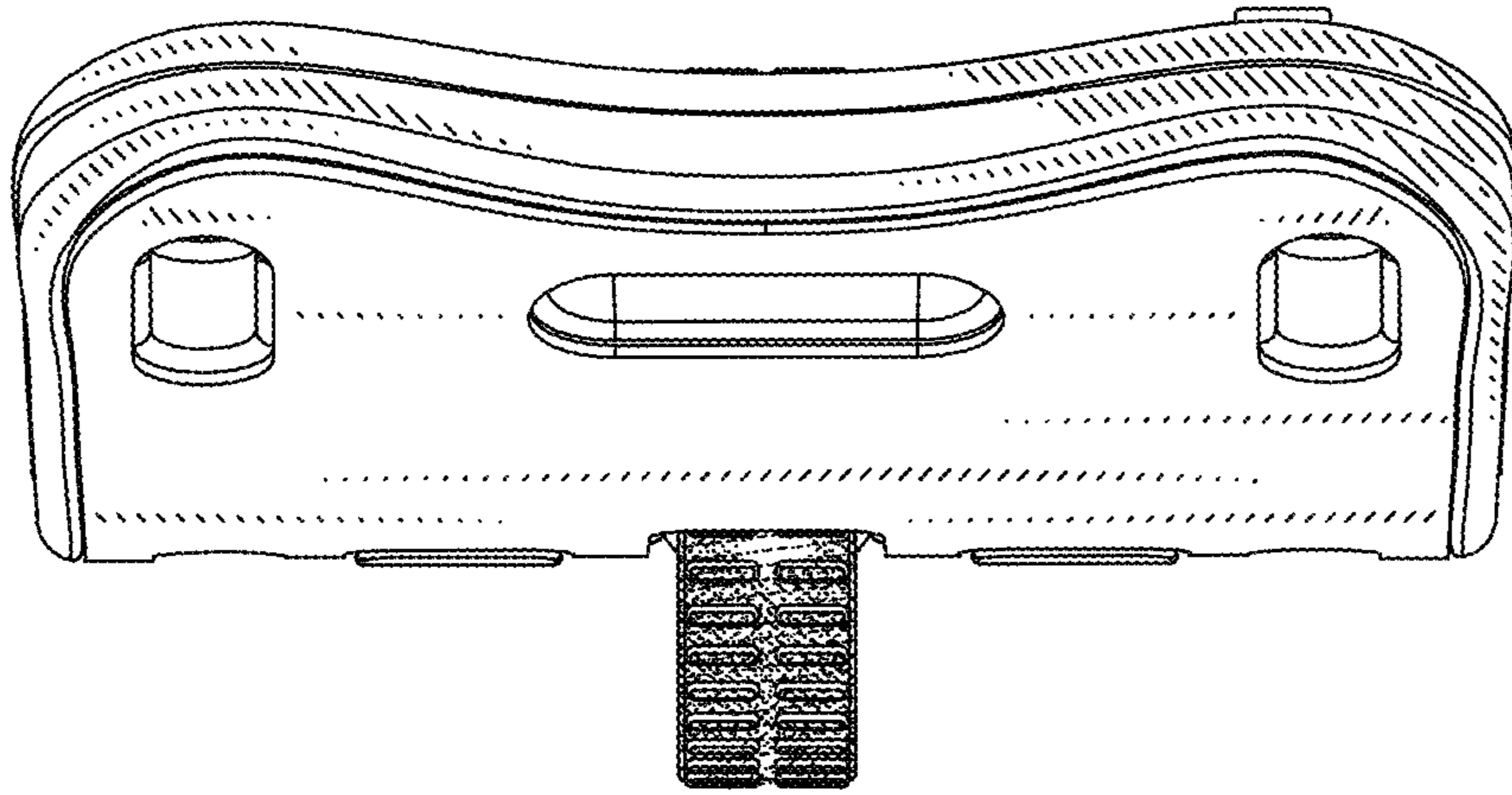


FIG. 3

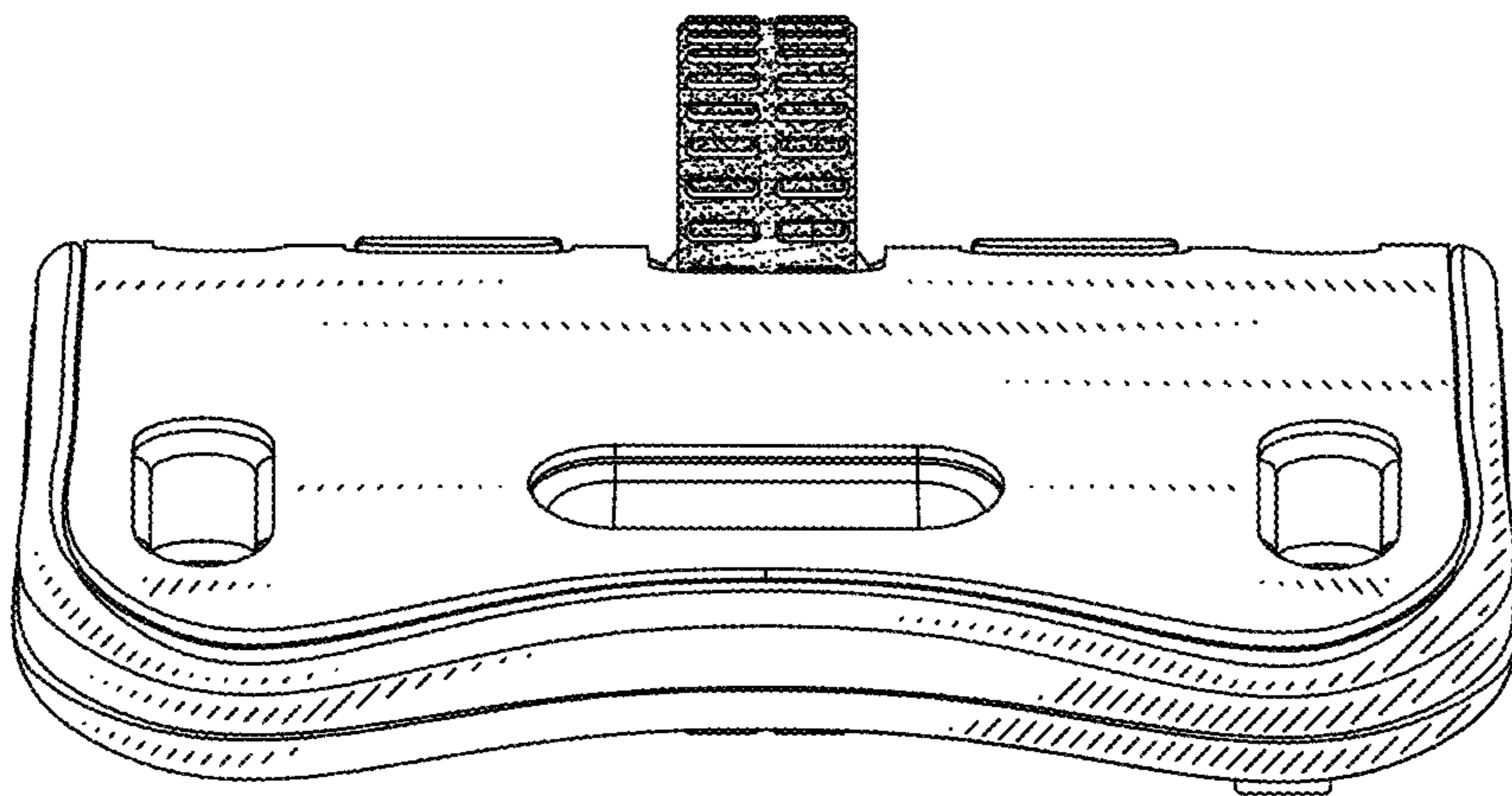


FIG. 2

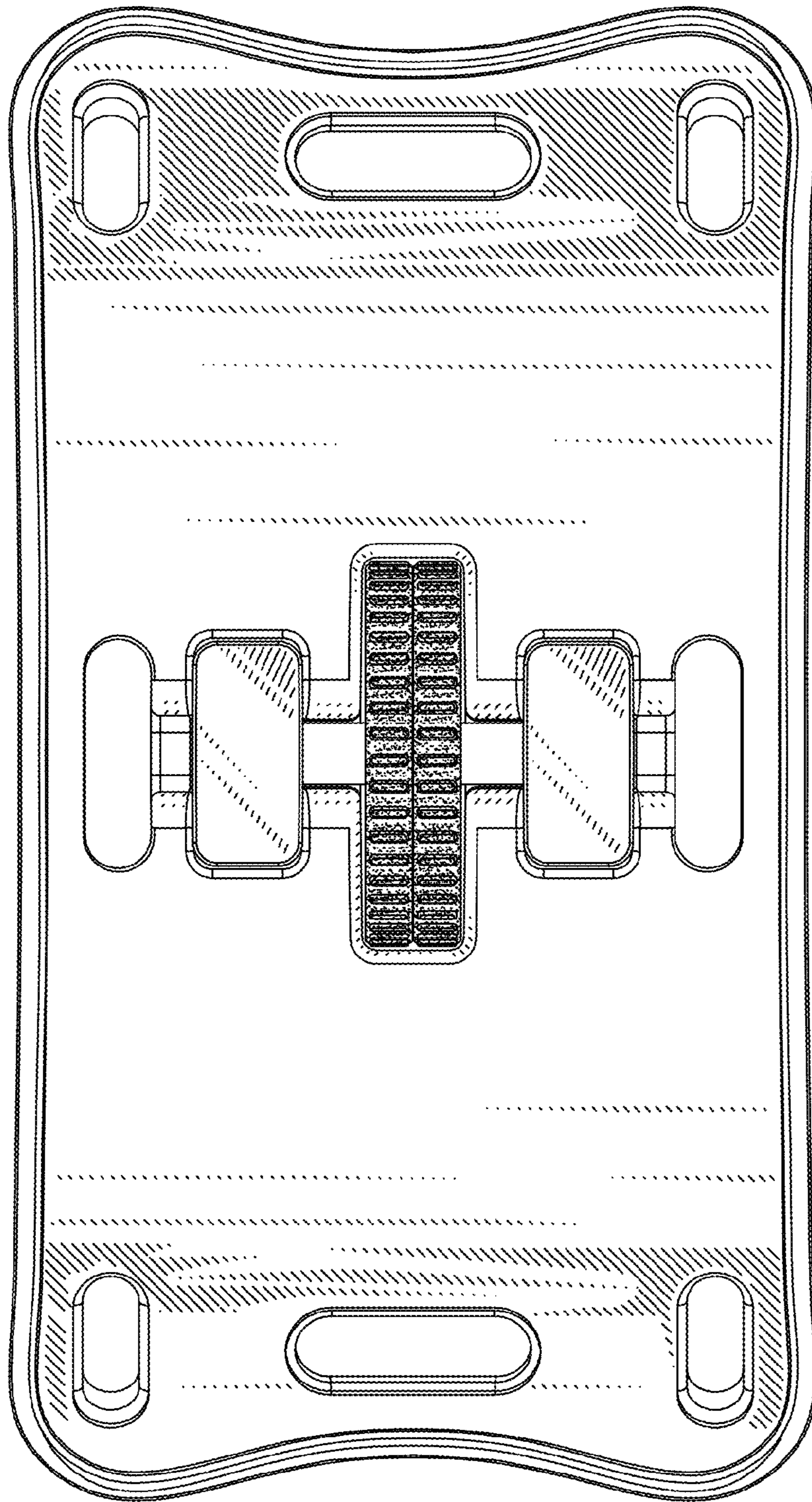


FIG. 4

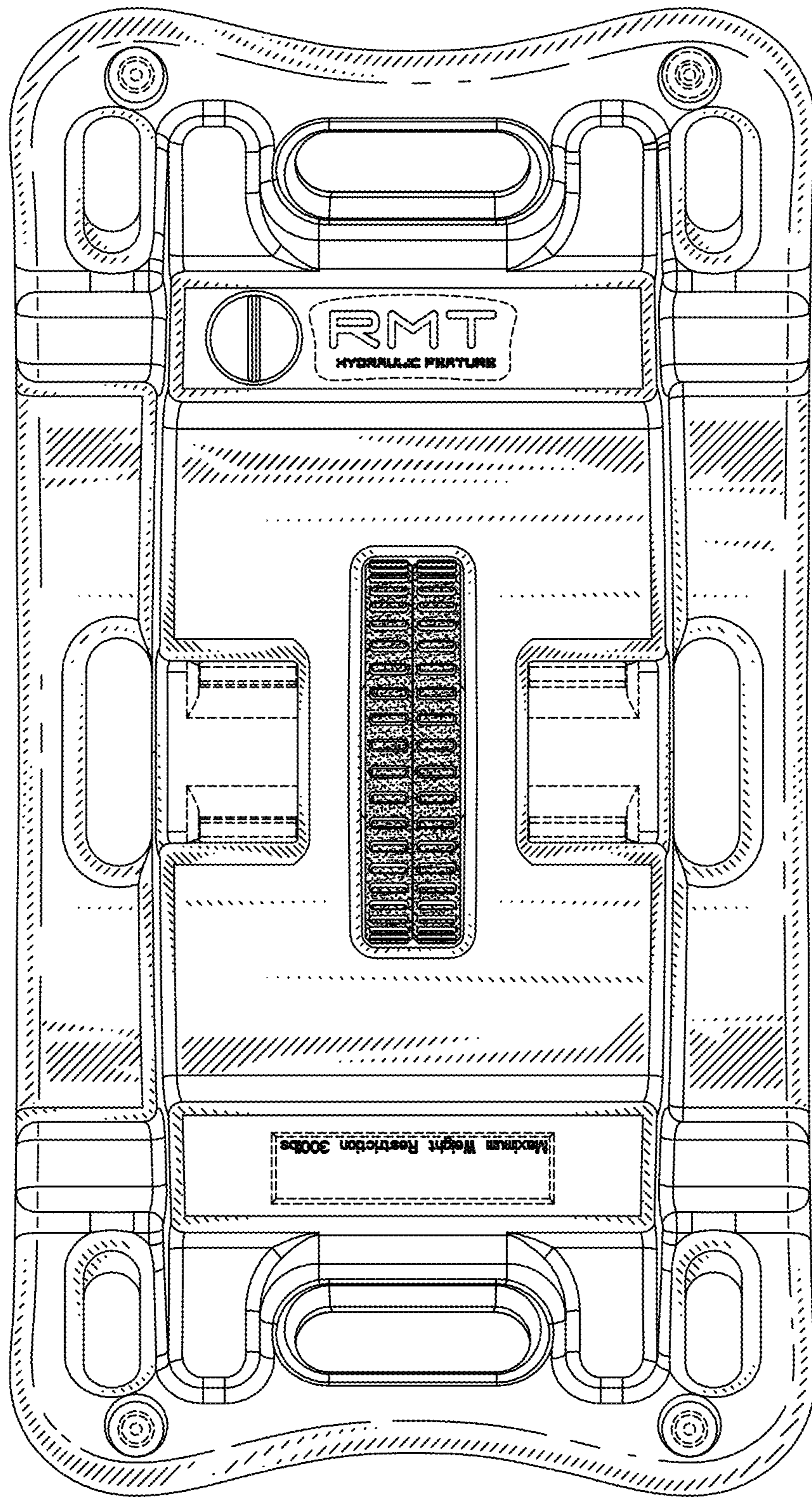


FIG. 5

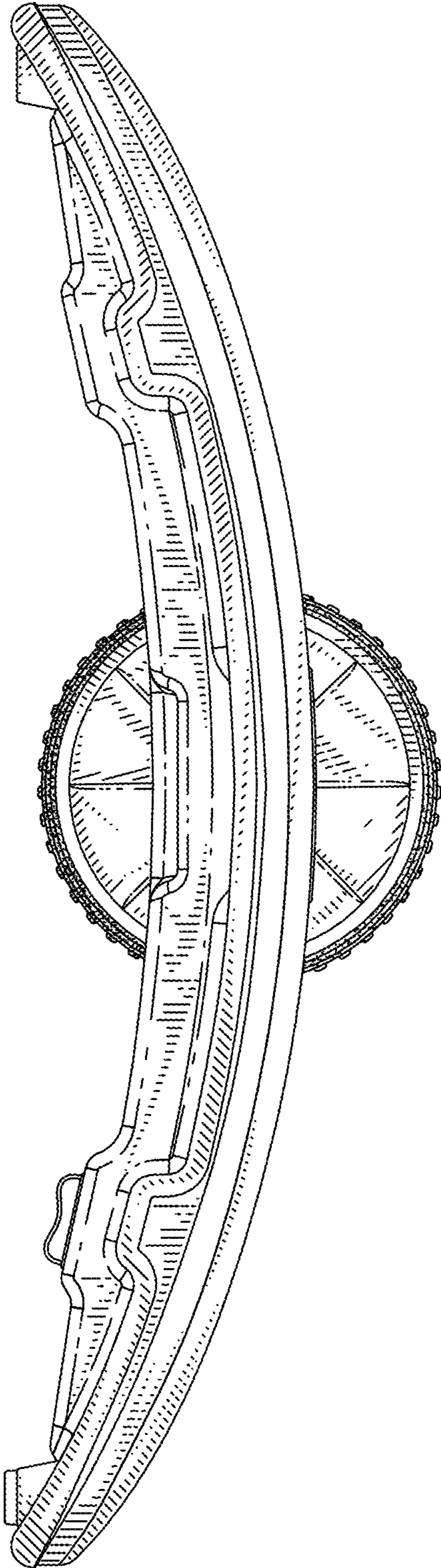


FIG. 6

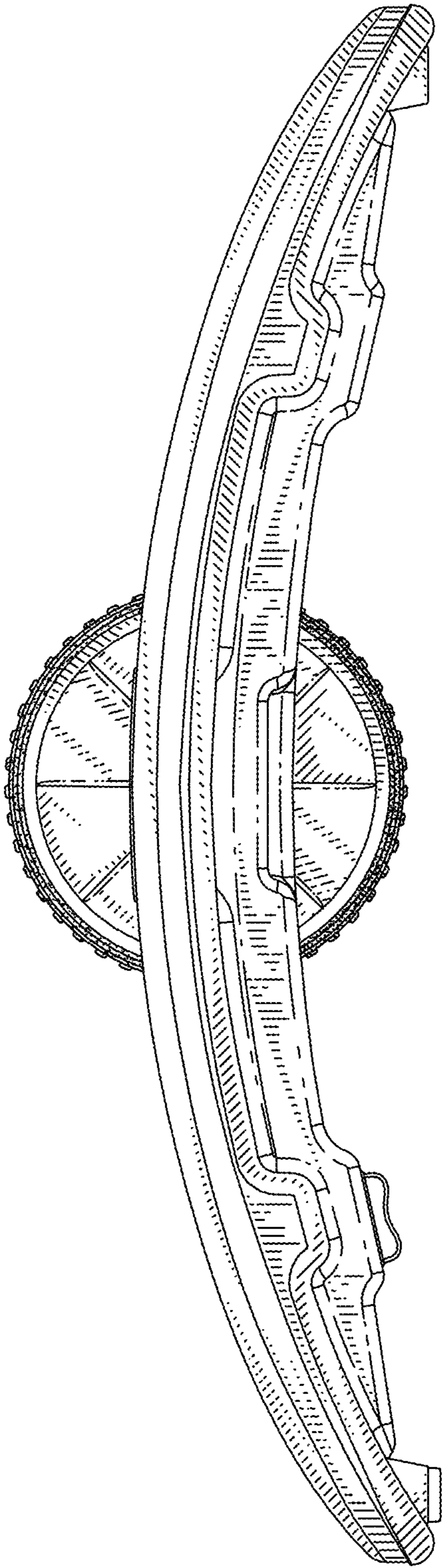


FIG. 7