



US00D704781S

(12) **United States Design Patent**
Pak et al.

(10) **Patent No.:** **US D704,781 S**

(45) **Date of Patent:** **** May 13, 2014**

(54) **GOLF PUTTER HEAD**

4,248,430 A 2/1981 Kepler
D268,691 S * 4/1983 Collins D21/739
D316,129 S * 4/1991 Bryson D21/739

(71) Applicants: **Hyong Kun Pak**, Twin Falls, ID (US);
Jerry Wayde Johnson, Hazelton, ID
(US)

(Continued)

(72) Inventors: **Hyong Kun Pak**, Twin Falls, ID (US);
Jerry Wayde Johnson, Hazelton, ID
(US)

Primary Examiner — Mitchell Siegel

(74) *Attorney, Agent, or Firm* — Pedersen and Company,
PLLC; Ken J. Pedersen; Barbara S. Pedersen

(73) Assignee: **Hyong Kun Pak**, Twin Falls, ID (US)

(57) **CLAIM**

The ornamental design for a golf putter head, as shown and described.

(**) Term: **14 Years**

DESCRIPTION

(21) Appl. No.: **29/432,499**

(22) Filed: **Sep. 16, 2012**

FIG. 1 is a rear perspective view of the golf putter head design connected to a golf club shaft to illustrate a use of the design. FIG. 2 is a rear perspective view of the golf putter head design depicted in FIG. 1.

Related U.S. Application Data

(63) Continuation-in-part of application No. 13/417,966, filed on Mar. 12, 2012.

(51) **LOC (10) Cl.** **21-02**

(52) **U.S. Cl.**
USPC **D21/736**

(58) **Field of Classification Search**
USPC D21/736-746; 473/324-331, 340-341,
473/251-256

See application file for complete search history.

FIG. 3 is a top view of the design of FIG. 2.

FIG. 4 is a front view of the design of FIGS. 2 and 3.

FIG. 5 is a bottom view of the design of FIGS. 2-4.

FIG. 6 is a rear view of the design of FIGS. 2-5.

FIG. 7 is a heel end view of the design of FIGS. 2-6.

FIG. 8 is a toe end view of the design of FIGS. 2-7.

FIG. 9 is a top view of the second embodiment of the golf putter head.

FIG. 10 is a front view of the golf putter head design depicted in FIG. 9.

FIG. 11 is a bottom view of the design of FIGS. 9 and 10.

FIG. 12 is a rear view of the design of FIGS. 9-11.

FIG. 13 is a heel end view of the design of FIGS. 9-12; and,

FIG. 14 is a toe end view of the design of FIGS. 9-13.

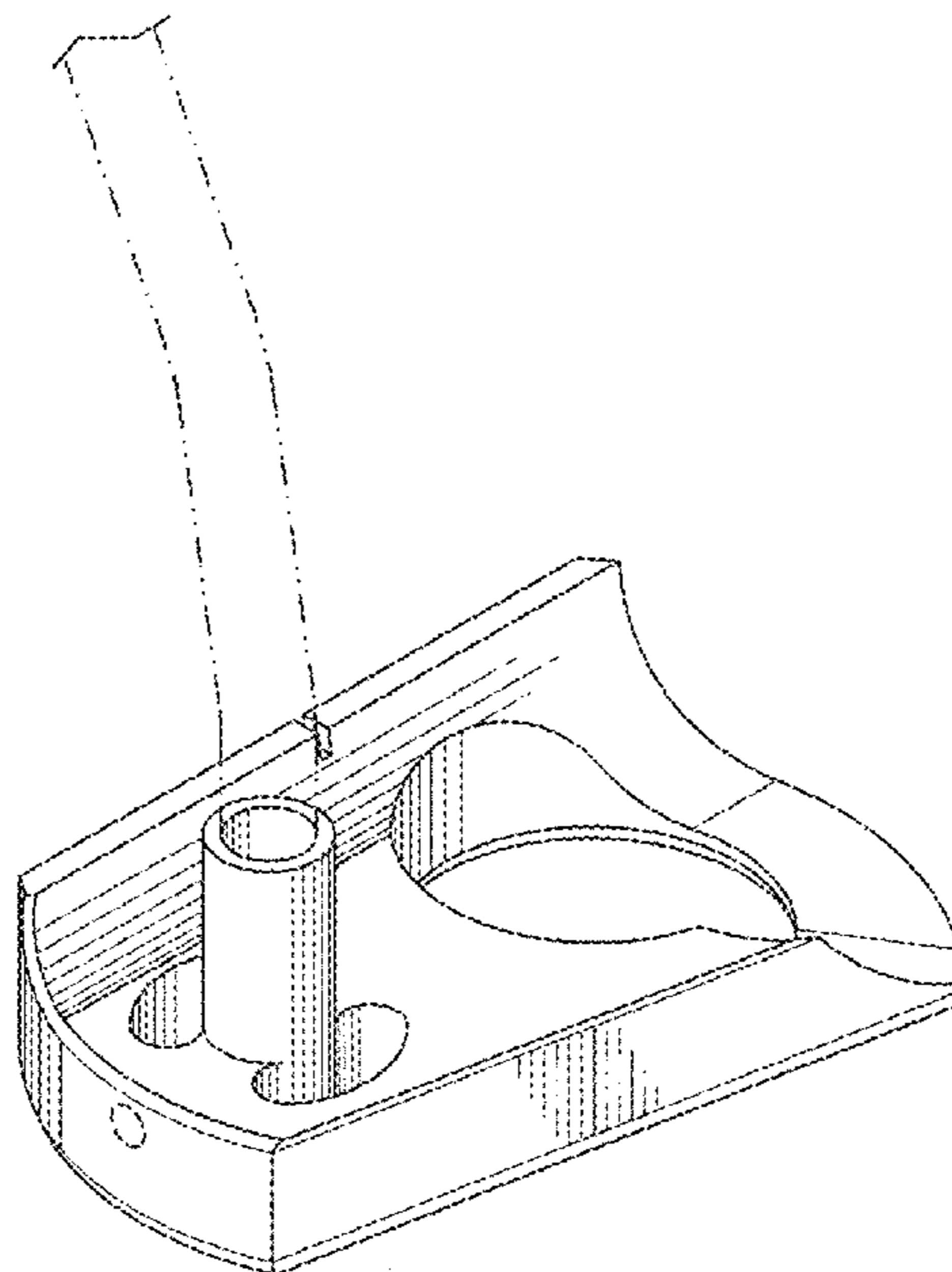
The broken line showing of the golf club shaft (FIGS. 1-14) and the cylindrical hosel connection (FIGS. 9-14) is included for the purpose of illustrating and forms no part of the claimed design.

(56) **References Cited**

U.S. PATENT DOCUMENTS

1,380,526 A 6/1921 Carpenter
1,960,110 A * 5/1934 Iles 473/286
2,609,198 A 9/1952 Armstrong
D234,524 S * 3/1975 Leander D21/738
4,017,082 A 4/1977 Channing et al.

1 Claim, 5 Drawing Sheets



(56)

References Cited

U.S. PATENT DOCUMENTS

D320,251 S *	9/1991	Mermillod	D21/739	D429,296 S *	8/2000	Franzen	D21/743
D320,638 S *	10/1991	Mermillod	D21/739	6,634,955 B2 *	10/2003	Middleton	473/231
5,165,744 A	11/1992	Vogrin		D499,154 S *	11/2004	D'Agguano	D21/736
5,308,069 A *	5/1994	Paquette	473/313	6,899,635 B2	5/2005	Nadratowski et al.	
5,310,177 A	5/1994	Conrad et al.		7,059,971 B1	6/2006	Schmitt	
5,417,426 A	5/1995	Bayer		7,086,971 B2	8/2006	Zmetra	
5,485,999 A	1/1996	Hull et al.		D531,687 S *	11/2006	Goold et al.	D21/743
D375,988 S *	11/1996	Phillips	D21/743	7,559,848 B2	7/2009	Nickel	
D388,853 S *	1/1998	Minami	D21/745	7,922,596 B2 *	4/2011	Vanderbilt et al.	473/251
D402,724 S *	12/1998	Minami	D21/743	7,951,014 B2	5/2011	Nickel	
D422,657 S *	4/2000	Lee	D21/738	D676,510 S *	2/2013	Kargetta	D21/736
D424,145 S *	5/2000	Minami	D21/744	2002/0022539 A1	2/2002	Smith et al.	
				2002/0147055 A1 *	10/2002	French	473/286
				2007/0184913 A1	8/2007	Dunks	

* cited by examiner

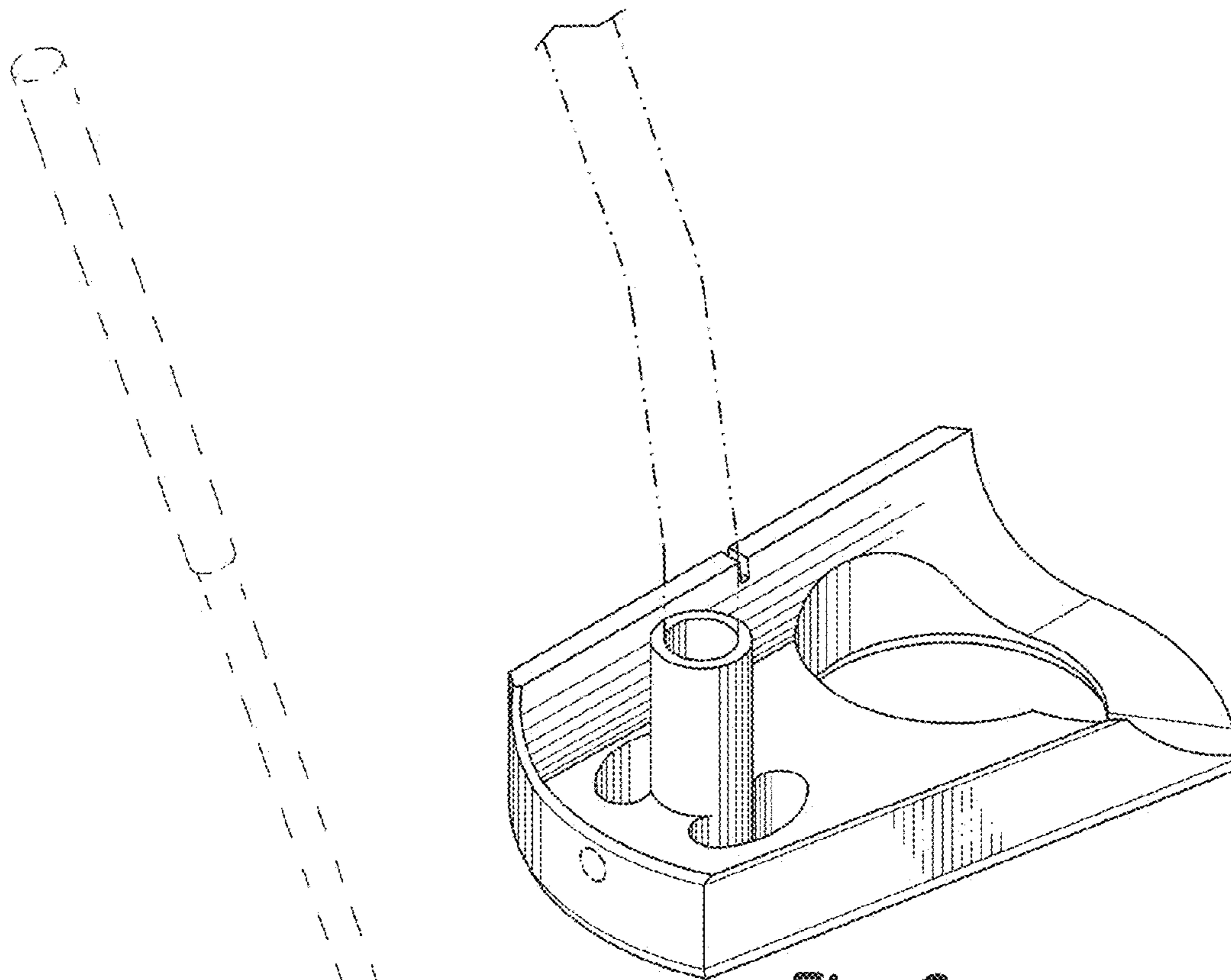


Fig. 2

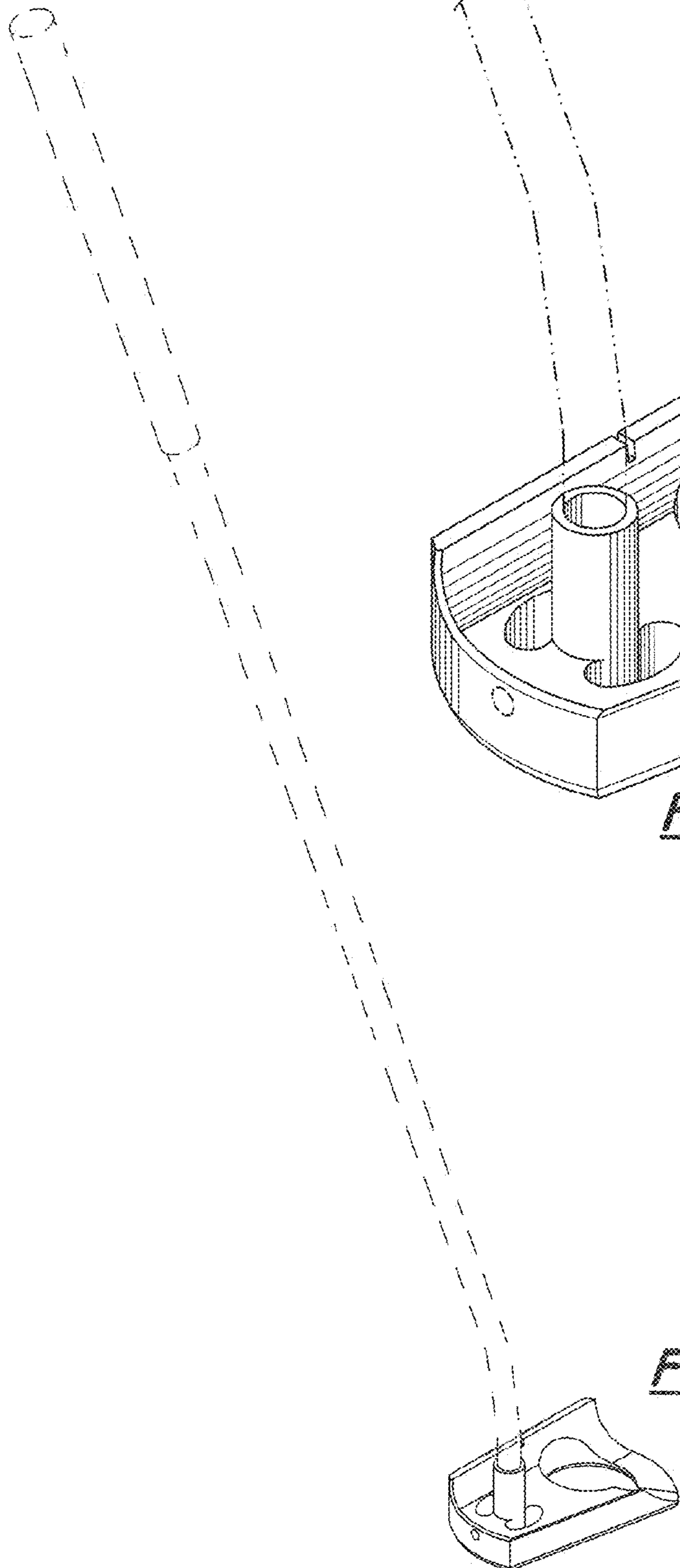


Fig. 1

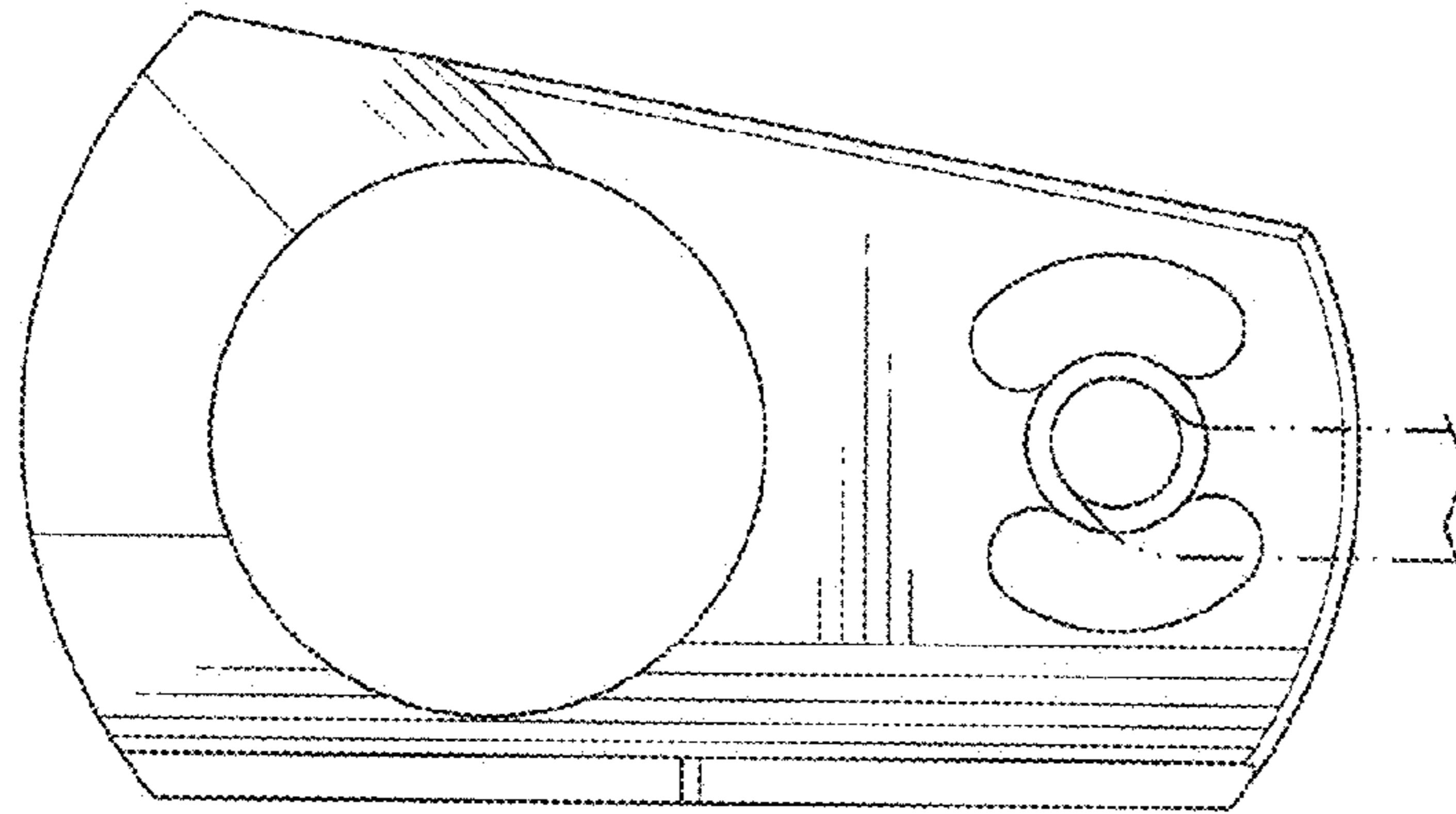


Fig. 3

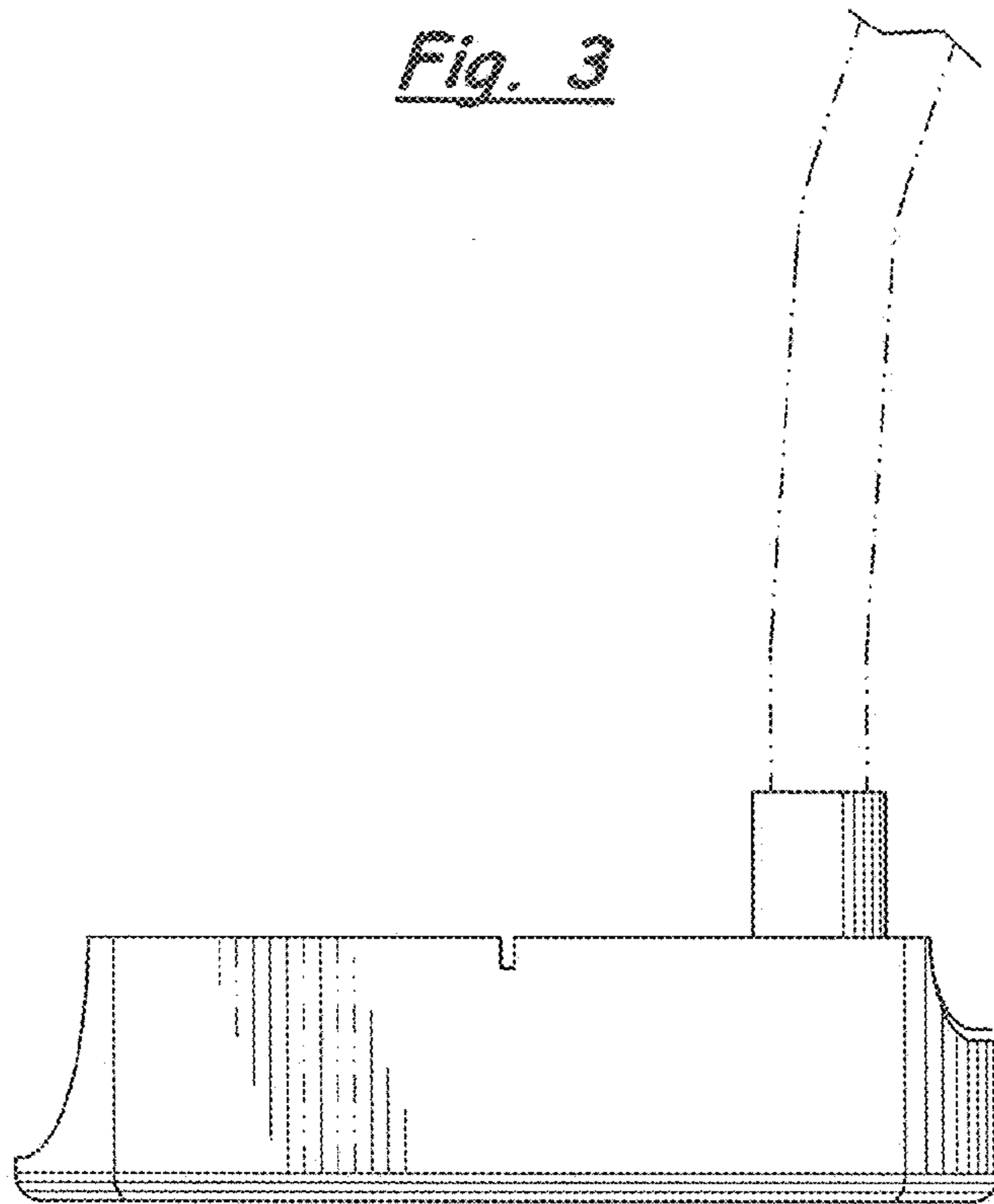


Fig. 4

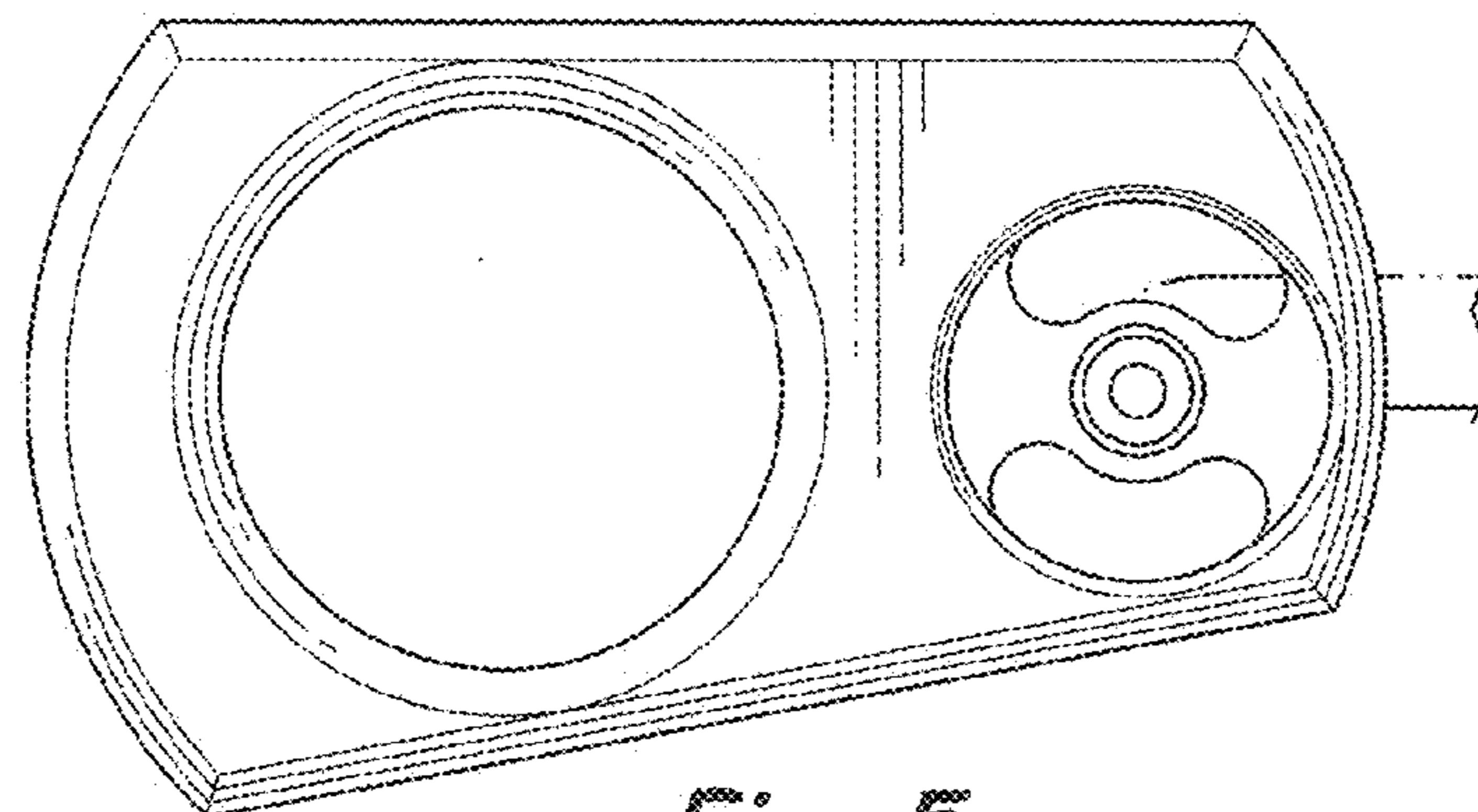


Fig. 5

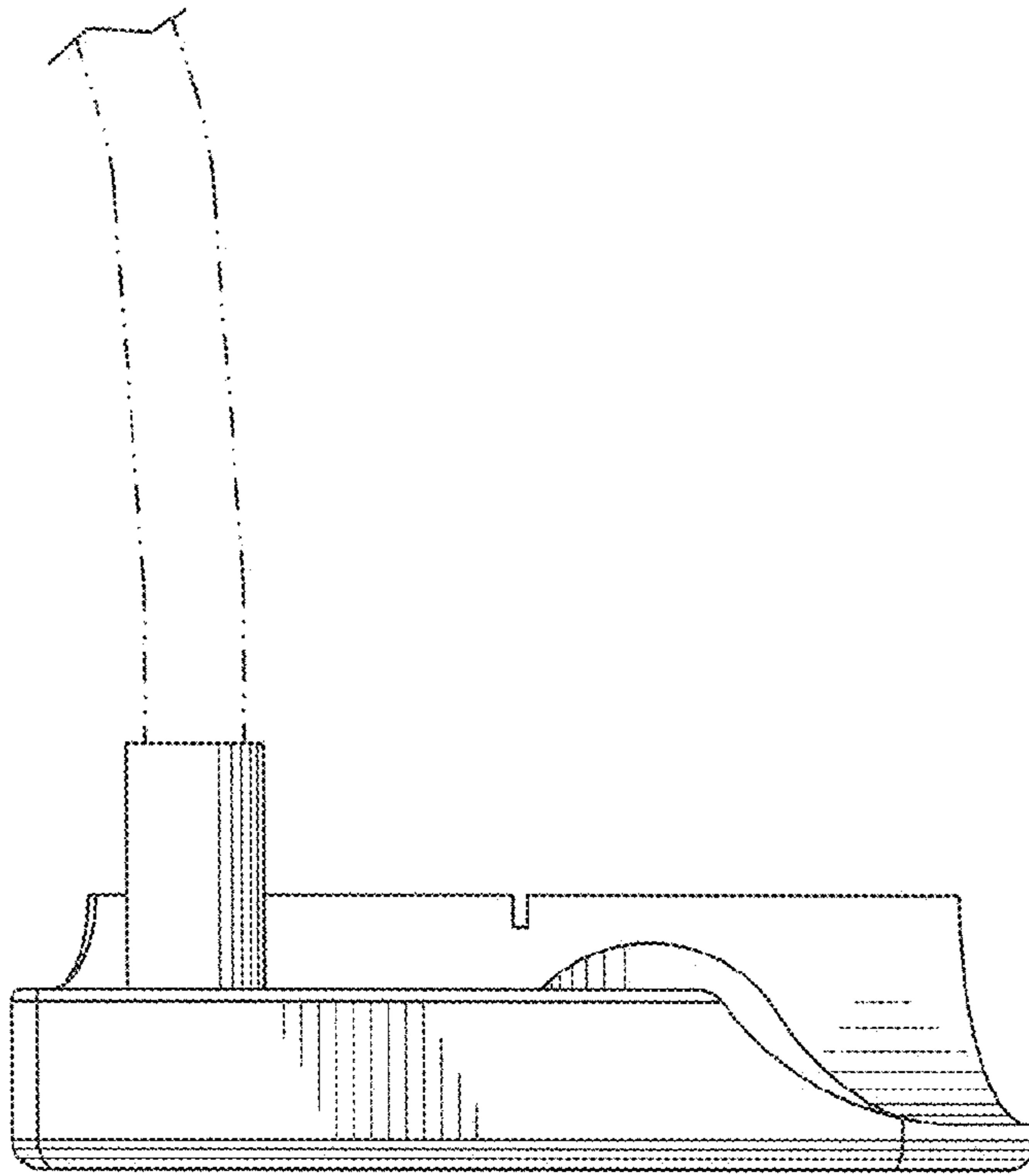


Fig. 6

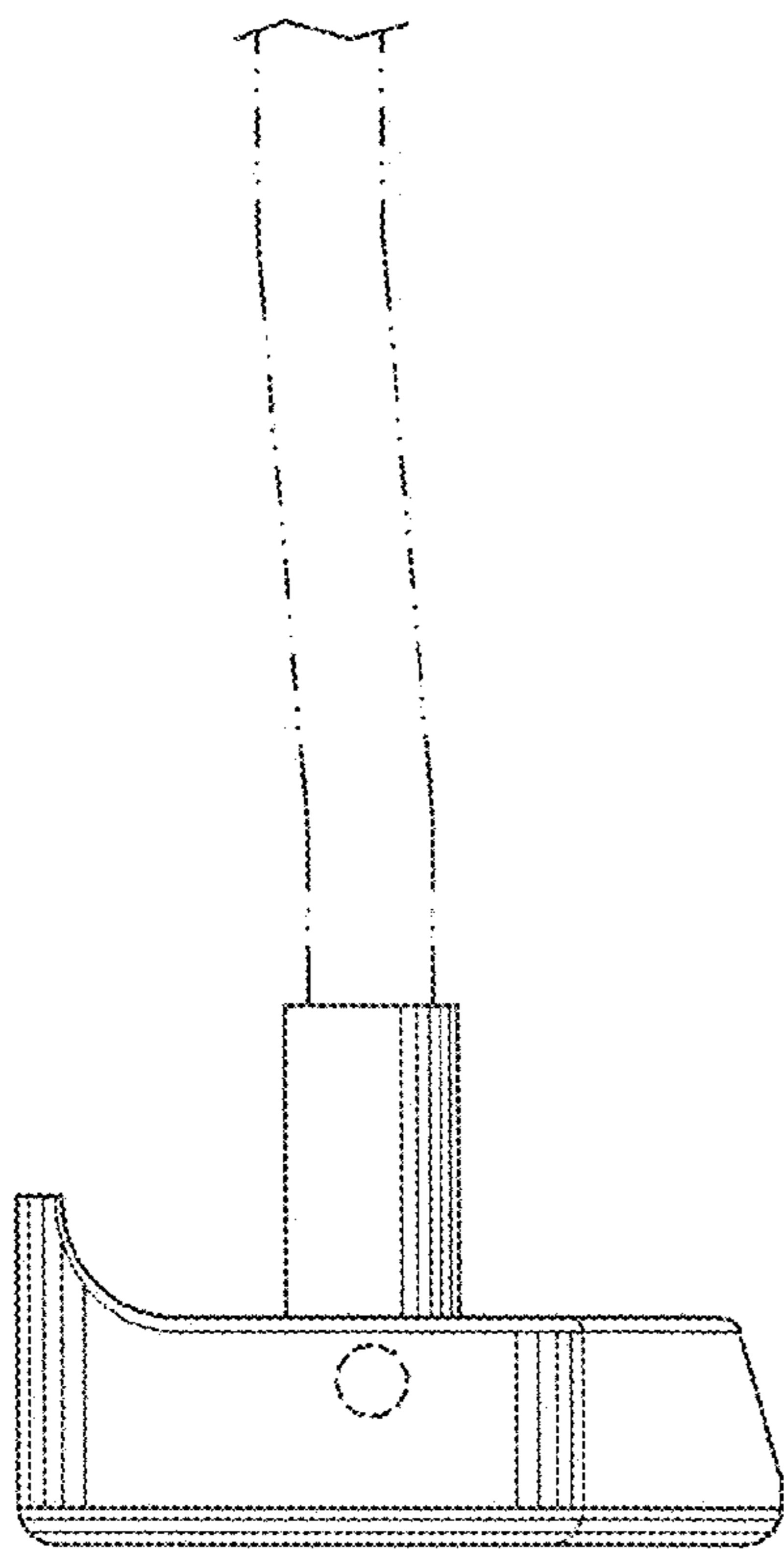


Fig. 7

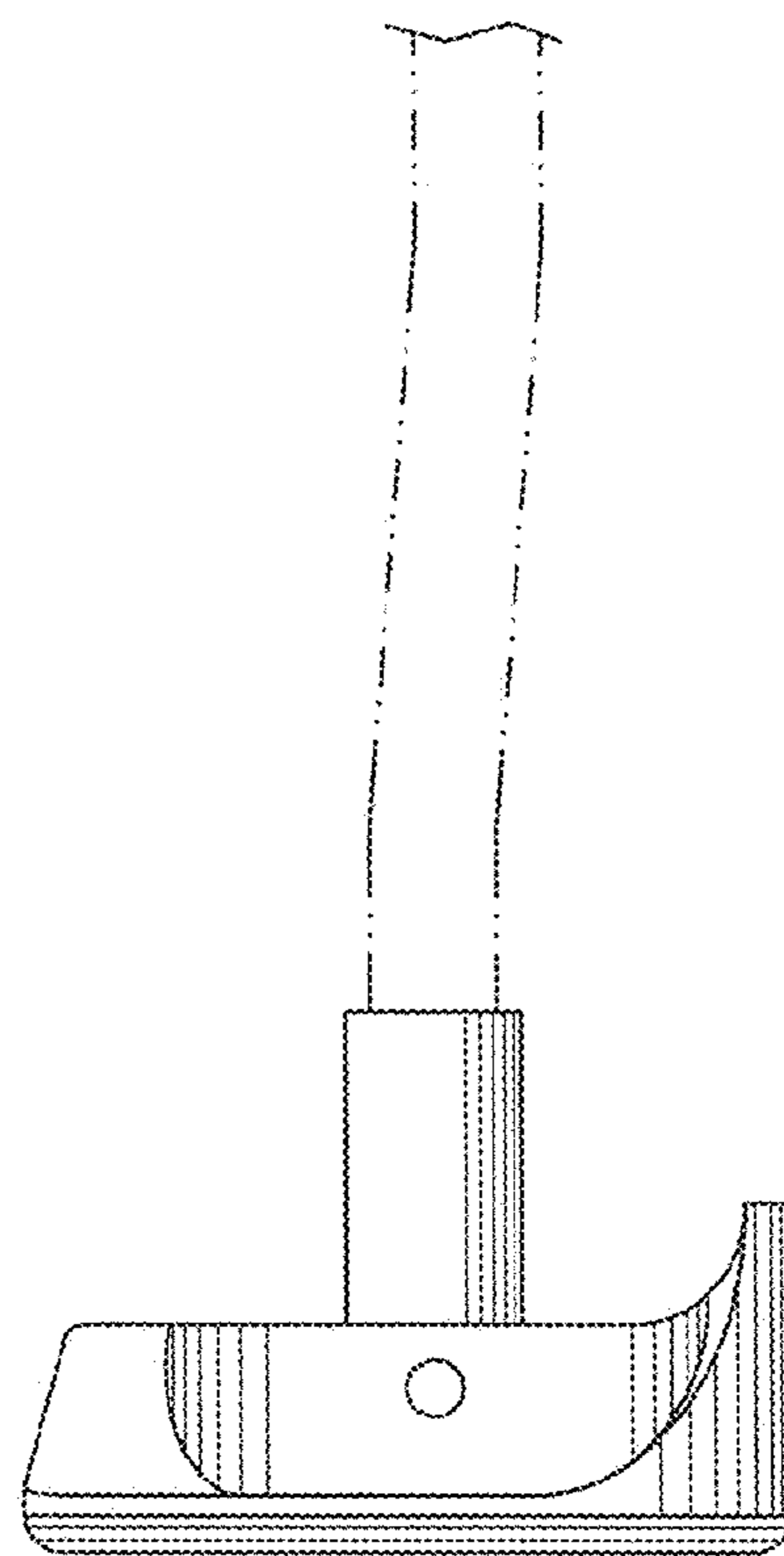


Fig. 8

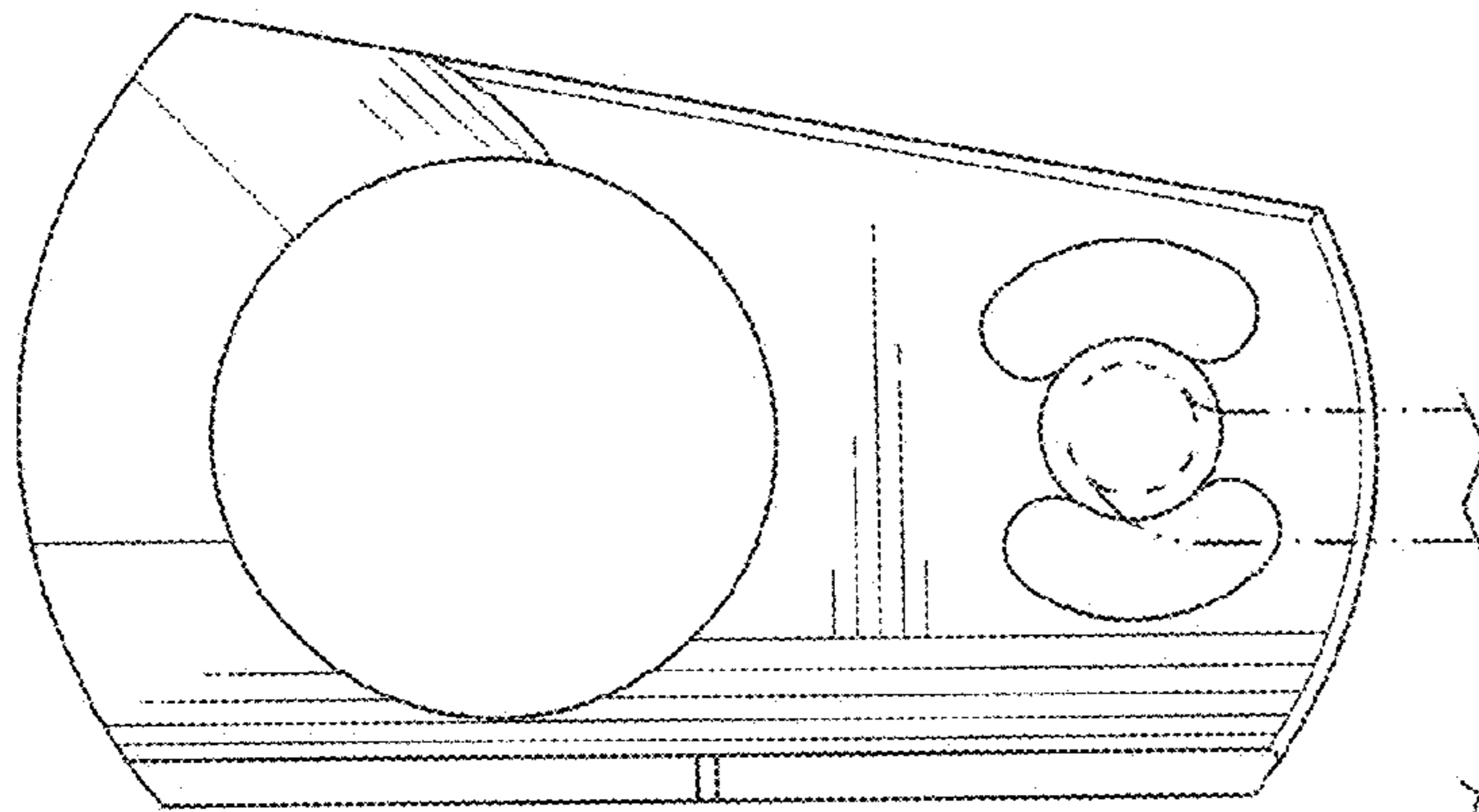


Fig. 9

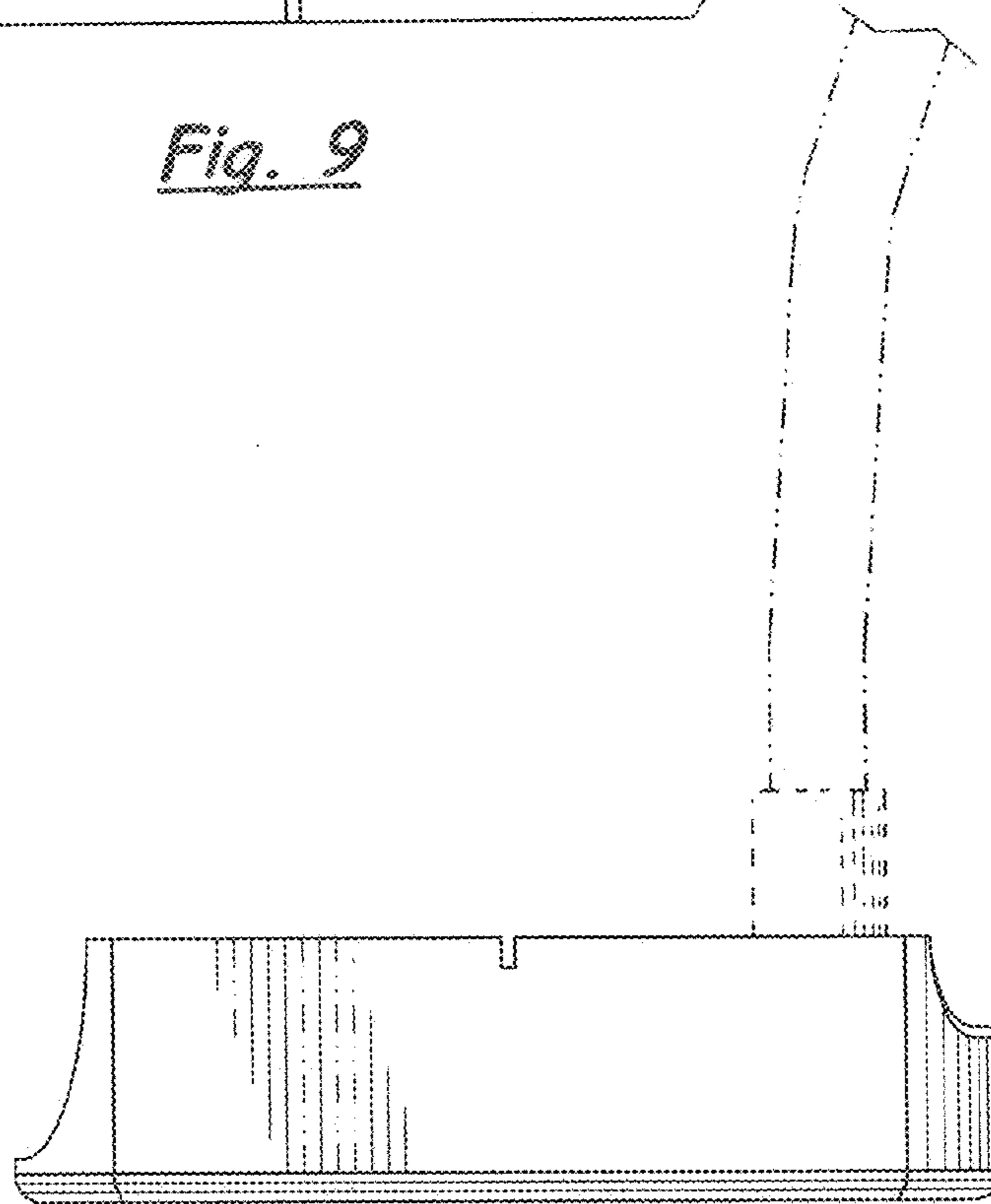


Fig. 10

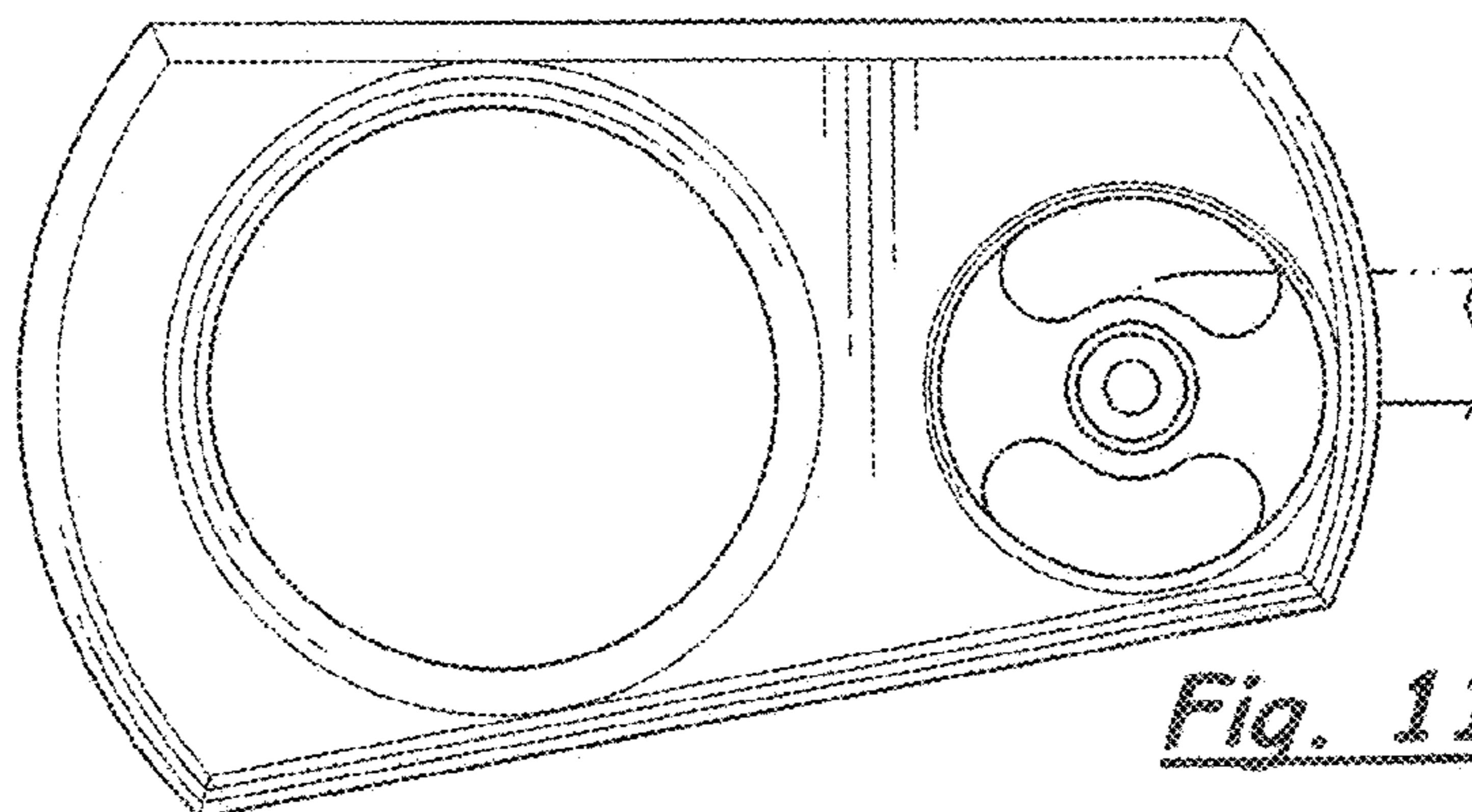


Fig. 11

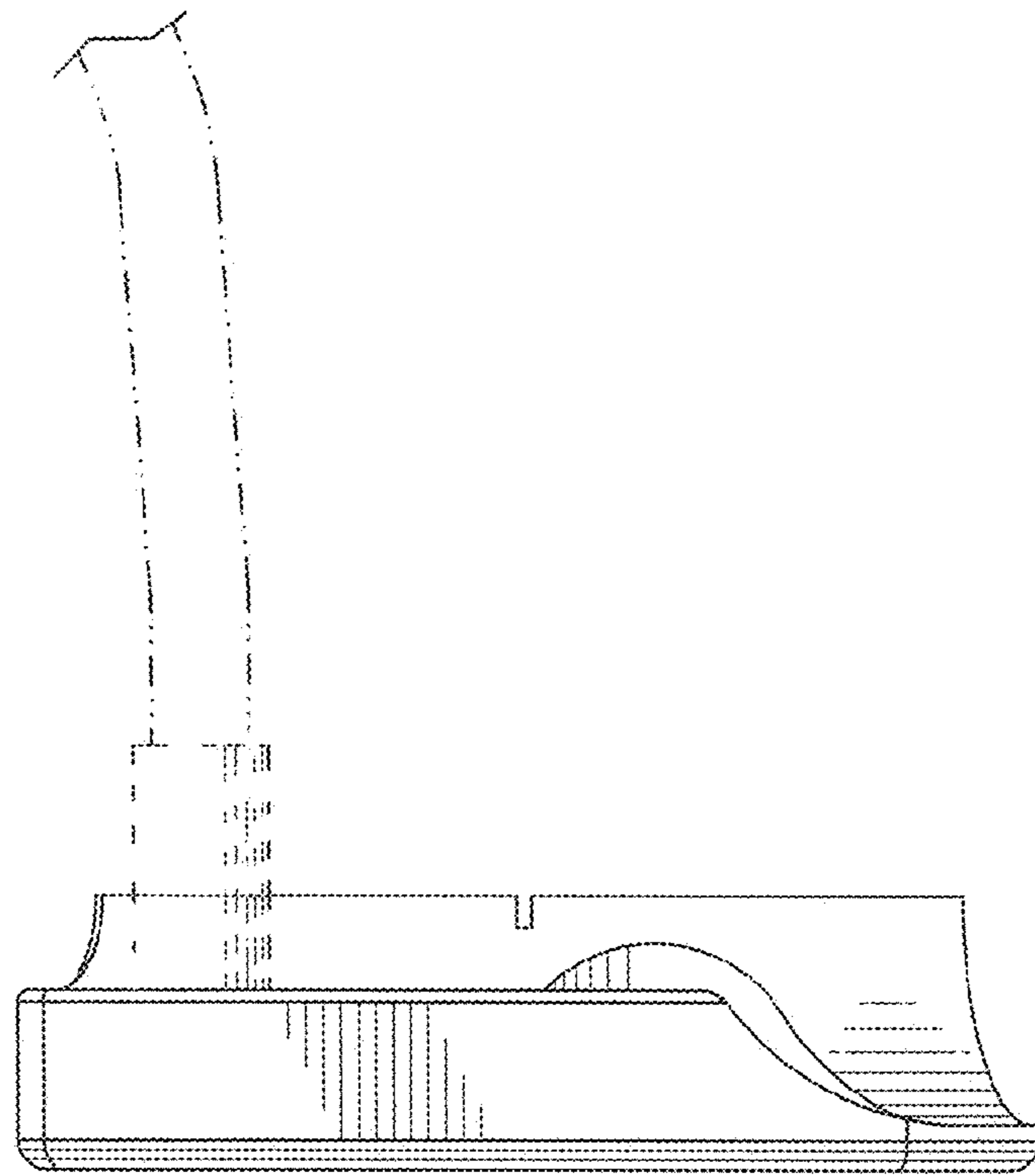


Fig. 12

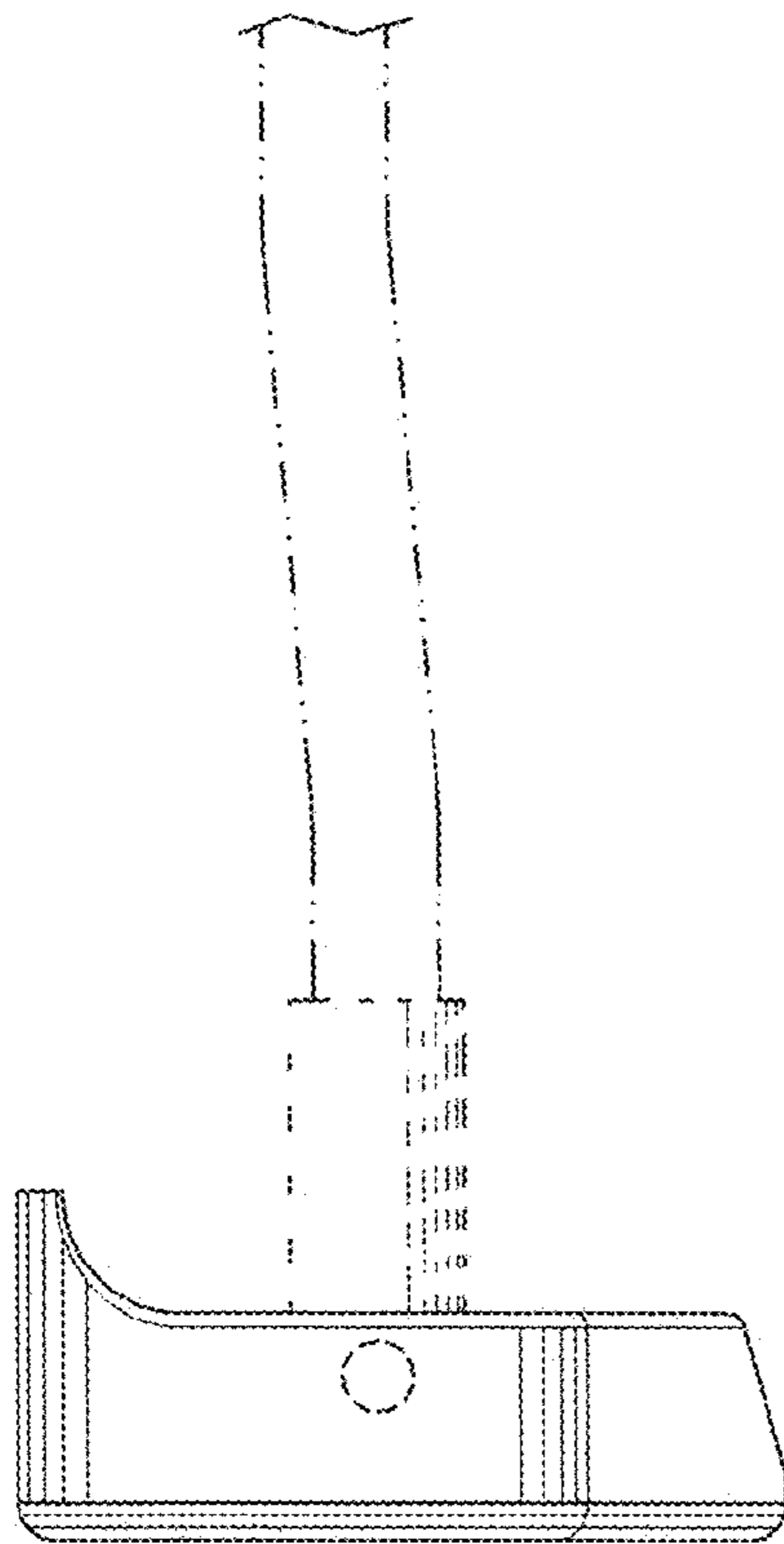


Fig. 13

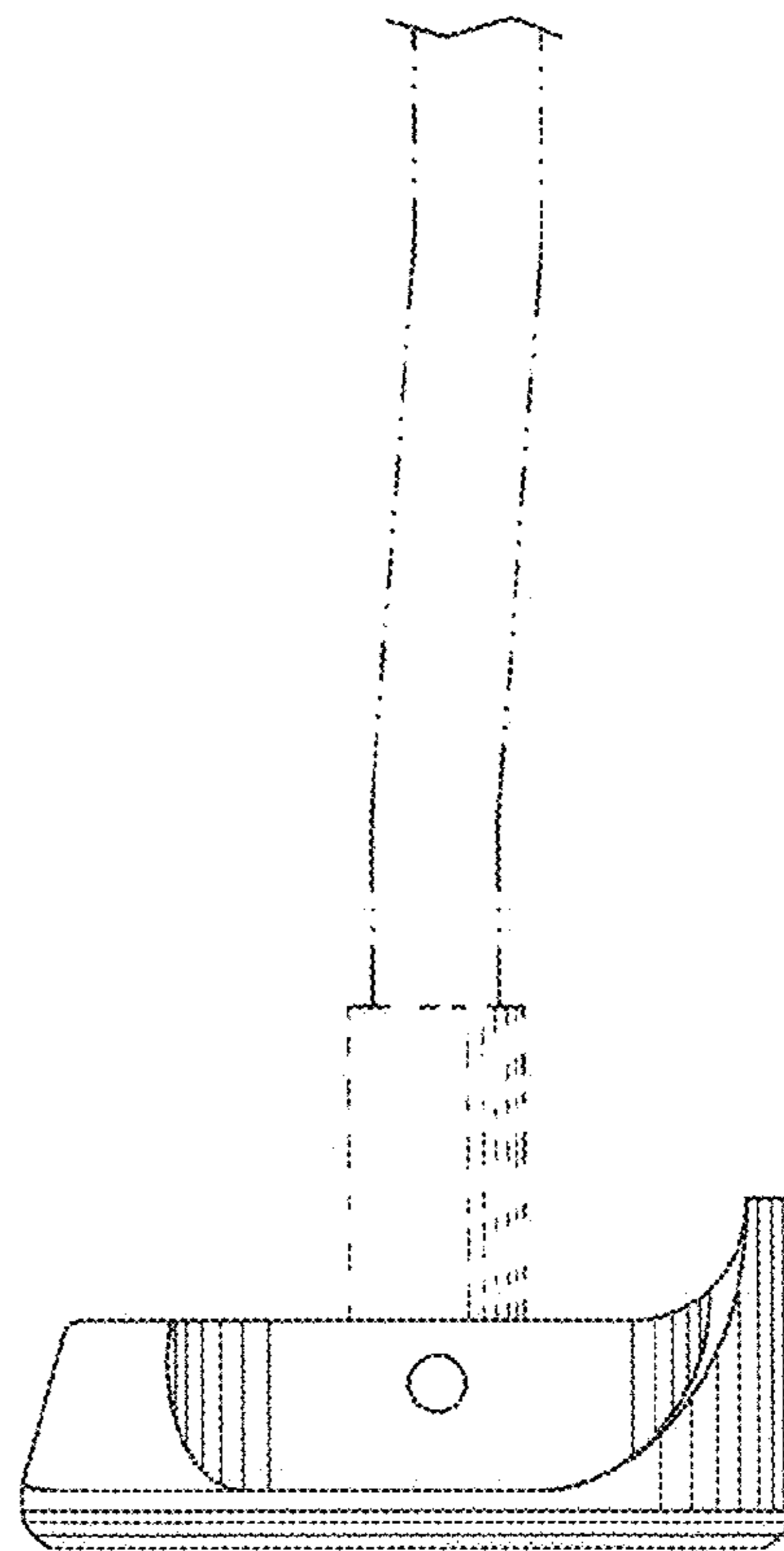


Fig. 14