



US00D704780S

(12) **United States Design Patent**  
**Brown**

(10) **Patent No.:** **US D704,780 S**

(45) **Date of Patent:** **\*\* May 13, 2014**

(54) **BASKETBALL SHOOTING TEACHING DEVICE**

(71) Applicant: **Jack C. Brown**, Orlando, FL (US)

(72) Inventor: **Jack C. Brown**, Orlando, FL (US)

(\*\*) Term: **14 Years**

(21) Appl. No.: **29/437,065**

(22) Filed: **Nov. 13, 2012**

(51) **LOC (10) Cl.** ..... **21-02**

(52) **U.S. Cl.**  
USPC ..... **D21/704**; D21/781

(58) **Field of Classification Search**  
USPC ..... D21/301–303, 305, 314, 336, 337, 339,  
D21/698, 699, 701–706, 781; 473/415–504;  
273/317, 317.3, 348, 394, 395, 396,  
273/397, 398, 400, 401, 402, 404, 407, 410,  
273/342, 309, 440

See application file for complete search history.

(56) **References Cited**

**U.S. PATENT DOCUMENTS**

1,765,269	A *	6/1930	Hatley	.....	473/433
4,291,885	A *	9/1981	Cohen	.....	273/348.5
4,579,340	A *	4/1986	Jenkins et al.	.....	473/436
D284,599	S *	7/1986	Cochran	.....	D21/305
4,915,380	A *	4/1990	Ackerman	.....	473/435
D321,737	S *	11/1991	Lo	.....	D21/702

5,312,099	A *	5/1994	Oliver, Sr.	.....	473/433
5,374,054	A *	12/1994	Suess	.....	473/433
D372,740	S *	8/1996	Lerch et al.	.....	D21/323
6,929,569	B1 *	8/2005	Wang	.....	473/433
2004/0058756	A1 *	3/2004	Huang	.....	473/433
2006/0040770	A1 *	2/2006	Chou	.....	473/433
2011/0130225	A1 *	6/2011	Sims	.....	473/433

\* cited by examiner

*Primary Examiner* — Catherine Tuttle

(74) *Attorney, Agent, or Firm* — William M. Hobby, III

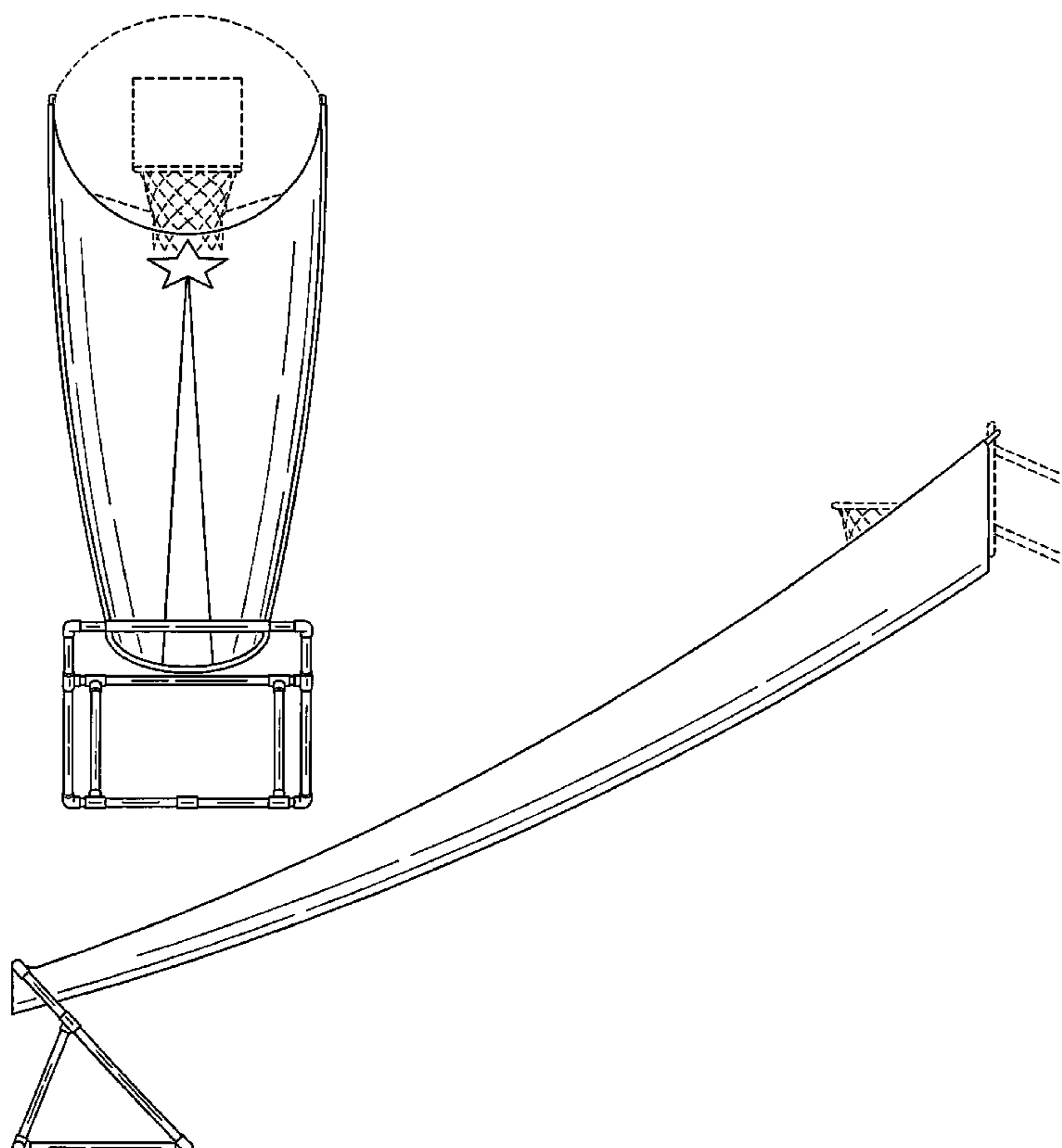
(57) **CLAIM**

The ornamental design for a basketball shooting teaching device, as shown and described.

**DESCRIPTION**

FIG. 1 is a front elevation view showing my new design for basketball shooting teaching device;  
FIG. 2 is a rear elevation view thereof;  
FIG. 3 is a right side elevation view thereof, the left side elevation being identical thereto;  
FIG. 4 is a top plan view thereof; and,  
FIG. 5 is a bottom plan view thereof.  
The broken lines showing the backboard and basket are shown for illustrative purposes only and form no part of the claimed design.

**1 Claim, 3 Drawing Sheets**



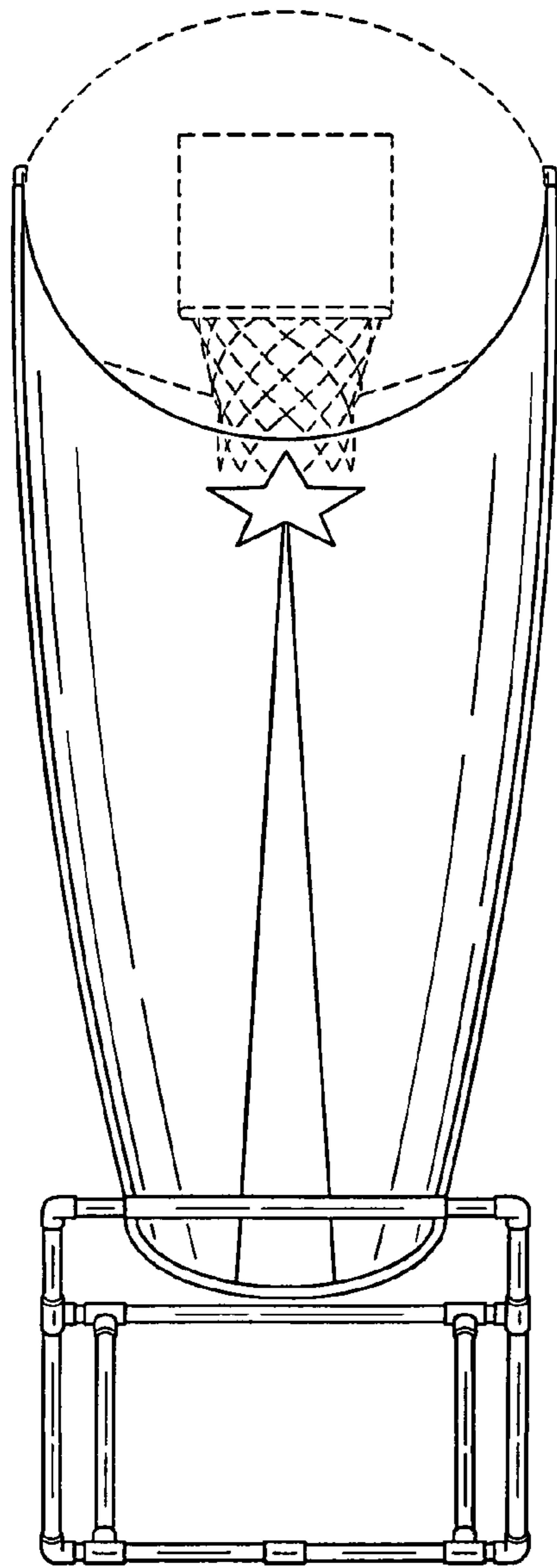


FIG. 1

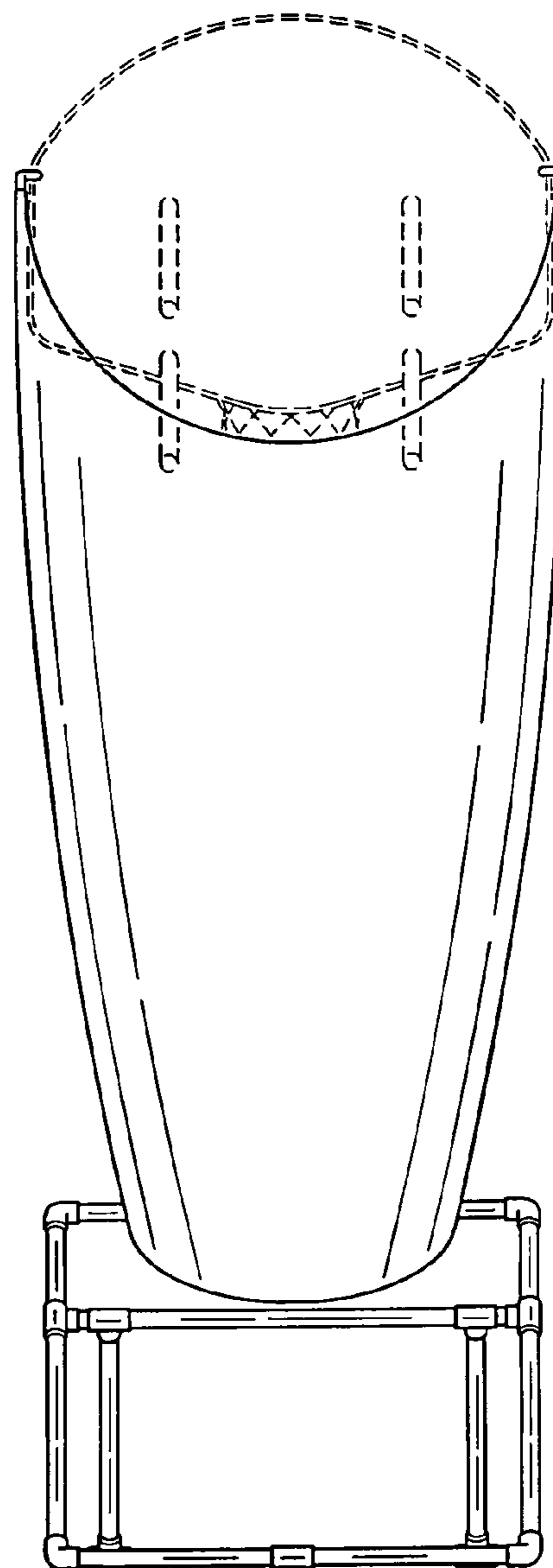


FIG. 2

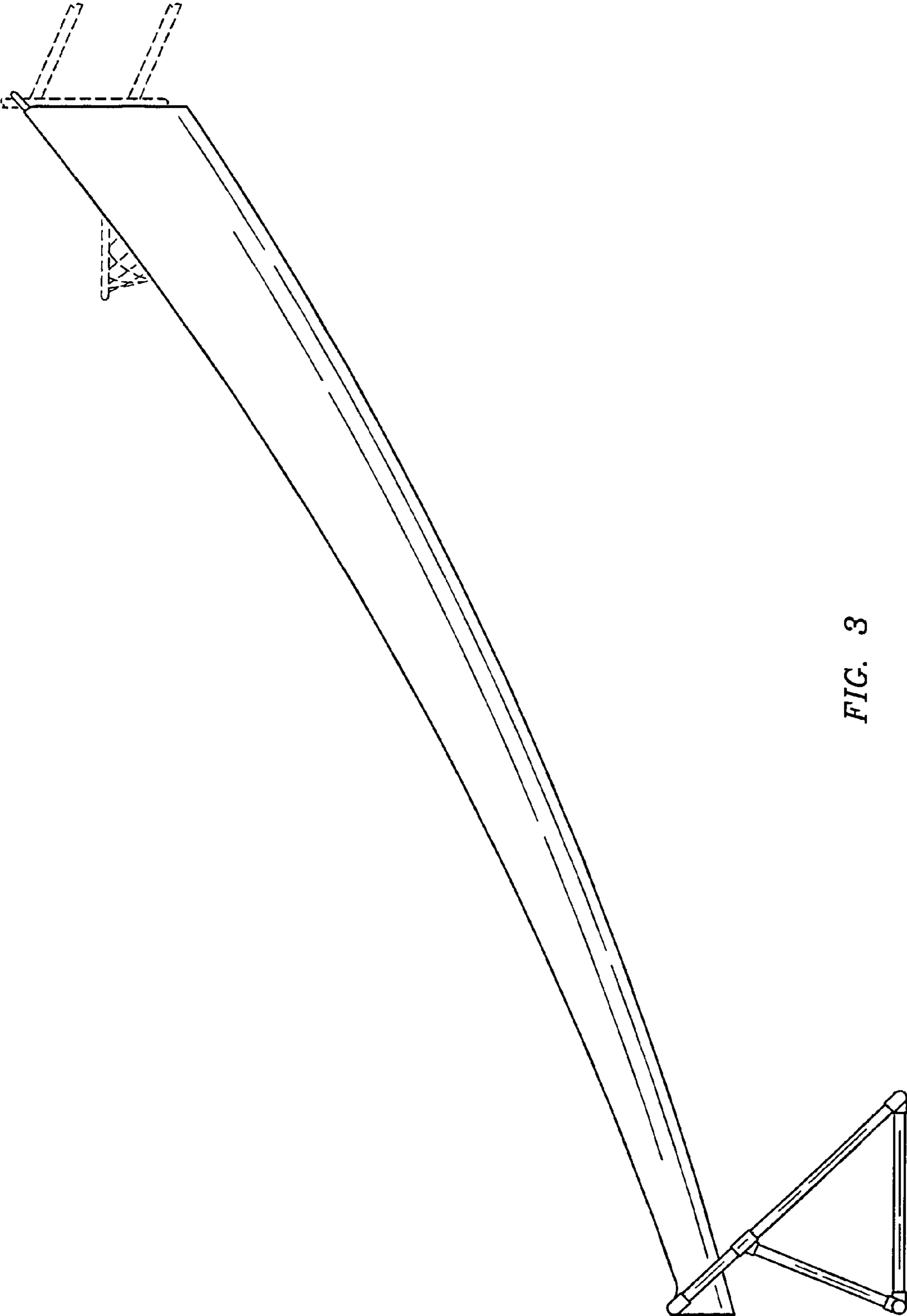


FIG. 3

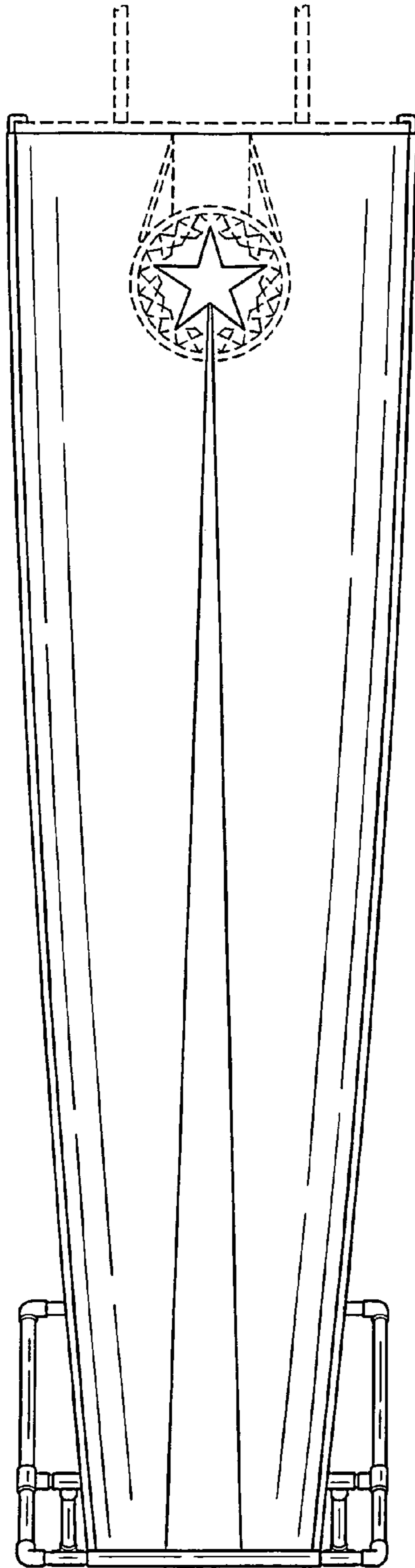


FIG. 4

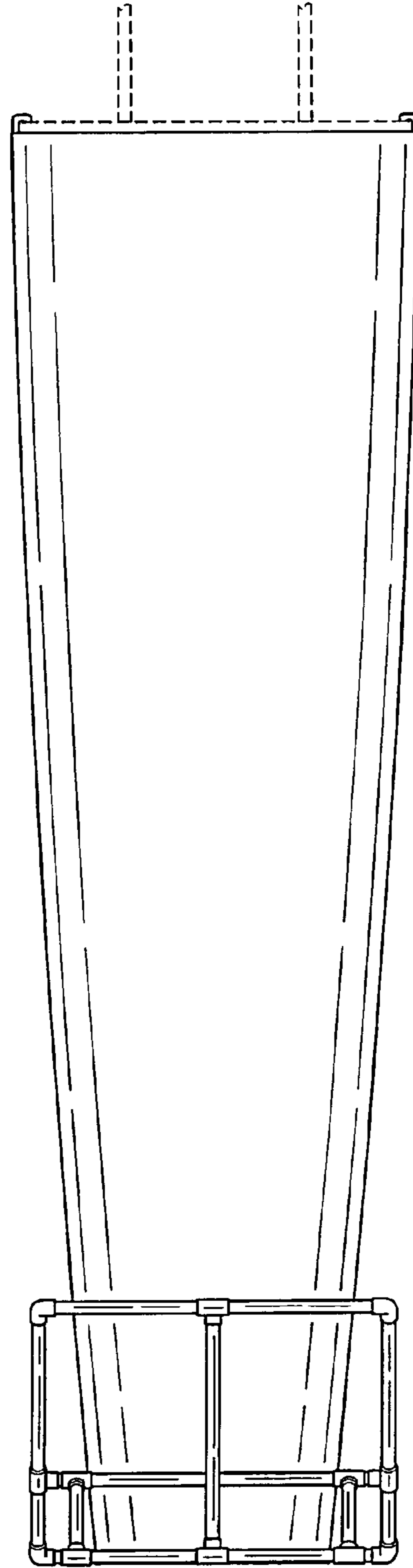


FIG. 5