



US00D704779S

(12) **United States Design Patent**
Boatwright

(10) **Patent No.:** **US D704,779 S**
(45) **Date of Patent:** **** May 13, 2014**

(54) **EXERCISE HANDLE**

DESCRIPTION

(76) Inventor: **Donald Jeffrey Boatwright**, Charlotte, NC (US)
(**) Term: **14 Years**
(21) Appl. No.: **29/428,322**
(22) Filed: **Jul. 30, 2012**
(51) **LOC (10) Cl.** **21-02**
(52) **U.S. Cl.**
USPC **D21/686**; D21/691
(58) **Field of Classification Search**
USPC D21/662, 682, 686, 691, 694; 482/91, 482/95, 141, 148, 23, 38, 39, 40; D6/548
See application file for complete search history.

FIG. 1 is a perspective view of the exercise handle for right-hand use;
FIG. 2 is a further perspective view of the exercise handle for right-hand use;
FIG. 3 is a bottom plan view of the exercise handle for right-hand use;
FIG. 4 is a top plan view of the exercise handle for right-hand use;
FIG. 5 is a right end view of the exercise handle for right-hand use;
FIG. 6 is a left end view of the exercise handle for right-hand use;
FIG. 7 is a back view of the exercise handle for right-hand use;
FIG. 8 is a front view of the exercise handle for right-hand use;
FIG. 9 is a perspective view of an alternate embodiment of the exercise handle configured for left-hand use;
FIG. 10 is a further perspective view of the exercise handle for left-hand use;
FIG. 11 is a bottom plan view of the exercise handle for left-hand use;
FIG. 12 is a top plan view of the exercise handle for left-hand use;
FIG. 13 is a right end view of the exercise handle for left-hand use;
FIG. 14 is a left end view of the exercise handle for left-hand use;
FIG. 15 is a back view of the exercise handle for left-hand use;
and,
FIG. 16 is a front view of the exercise handle for left-hand use.

(56) **References Cited**

U.S. PATENT DOCUMENTS

3,016,267	A *	1/1962	Cones	297/423.41
D210,469	S *	3/1968	Sejersen	D21/691
4,232,863	A *	11/1980	Roach	482/141
4,327,907	A *	5/1982	DeVries	482/141
4,854,573	A *	8/1989	Johannson et al.	482/141
D364,902	S *	12/1995	Fleming	D21/686
D633,156	S *	2/2011	Caswell et al.	D21/679
D682,955	S *	5/2013	Stephan	D21/679

* cited by examiner

Primary Examiner — Phillip S Hyder
(74) *Attorney, Agent, or Firm* — Schwartz Law Firm, P.C.

(57) **CLAIM**

I claim the ornamental design for an exercise handle, as shown and described.

1 Claim, 10 Drawing Sheets

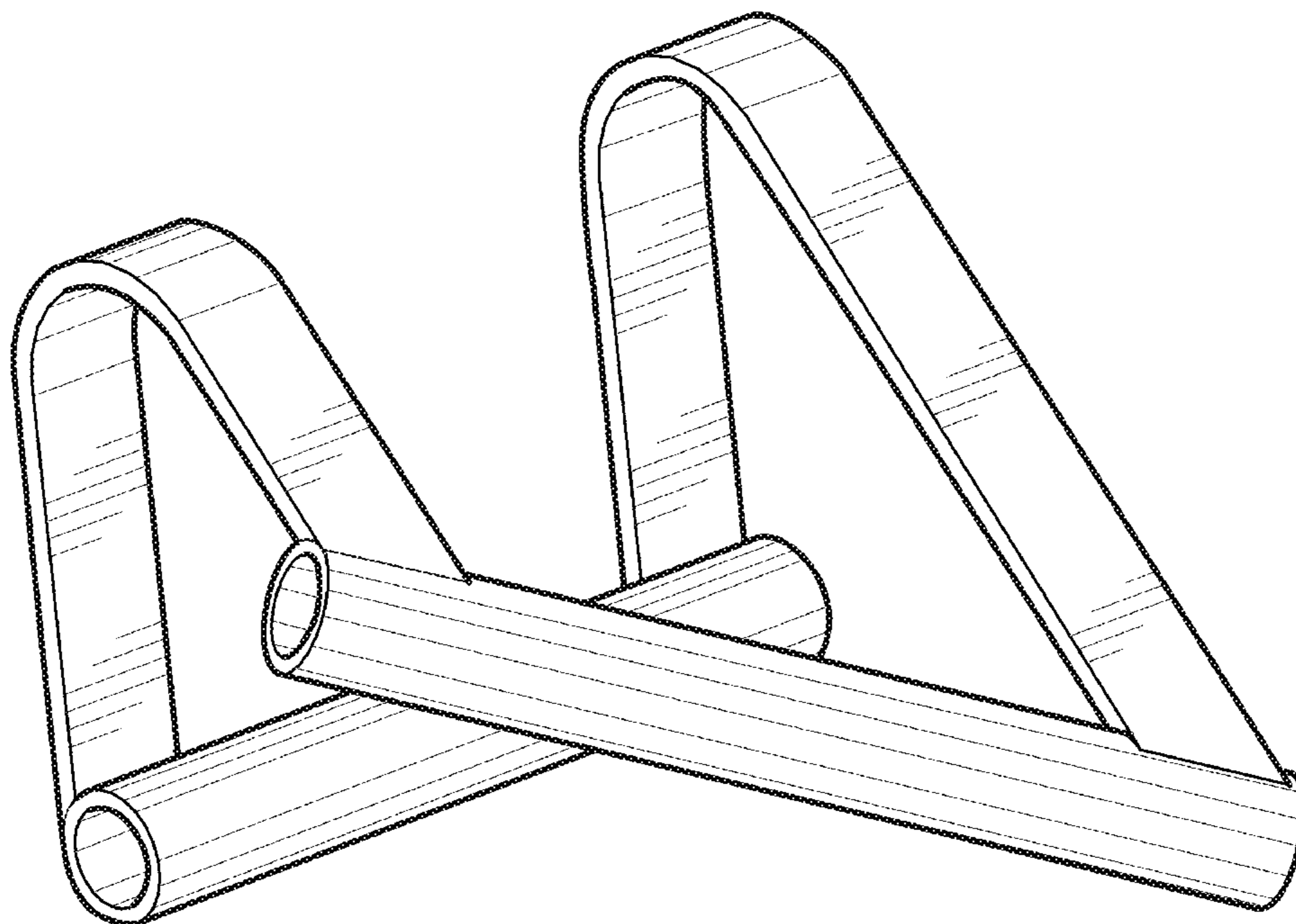
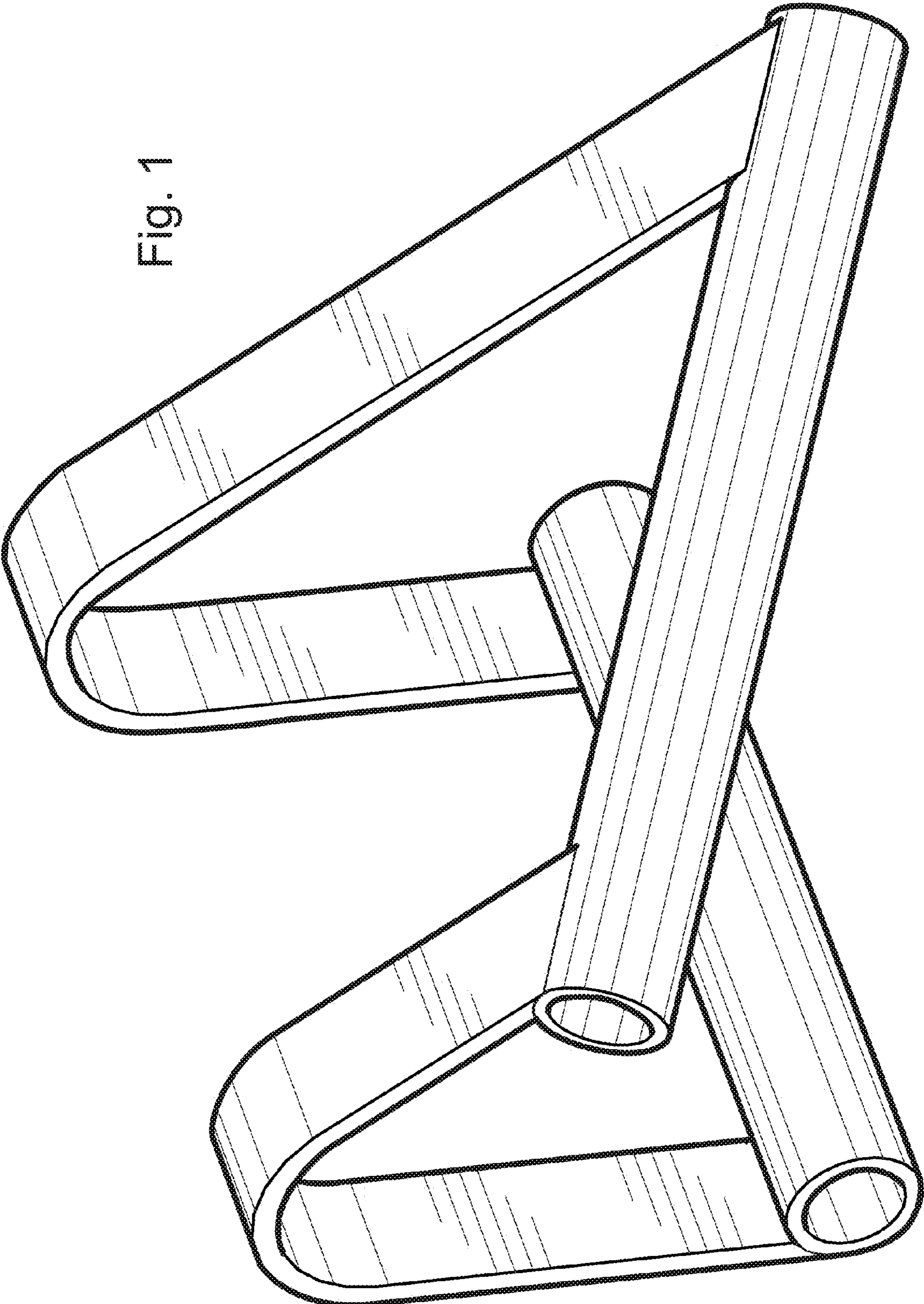


Fig. 1



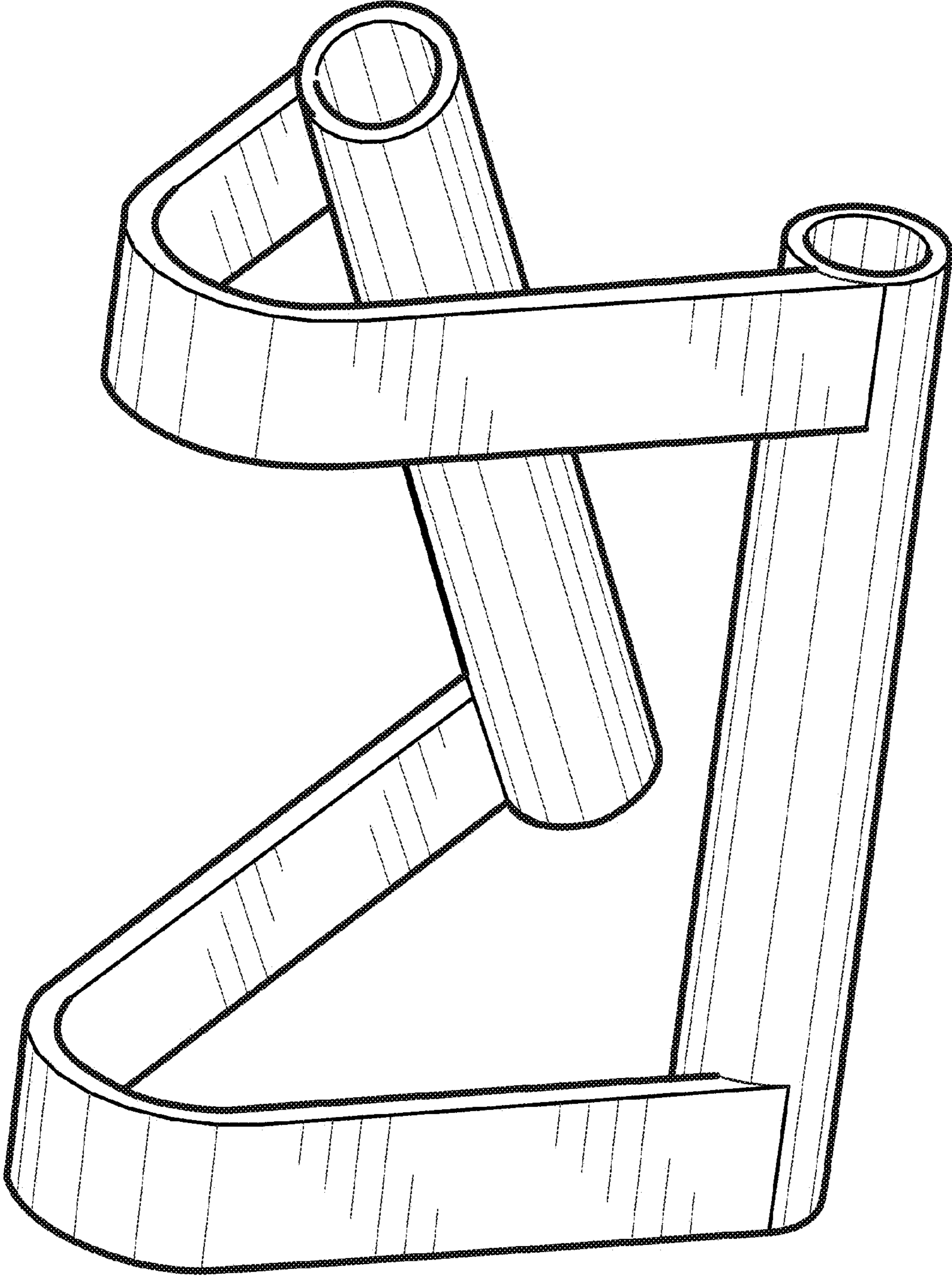


Fig. 2

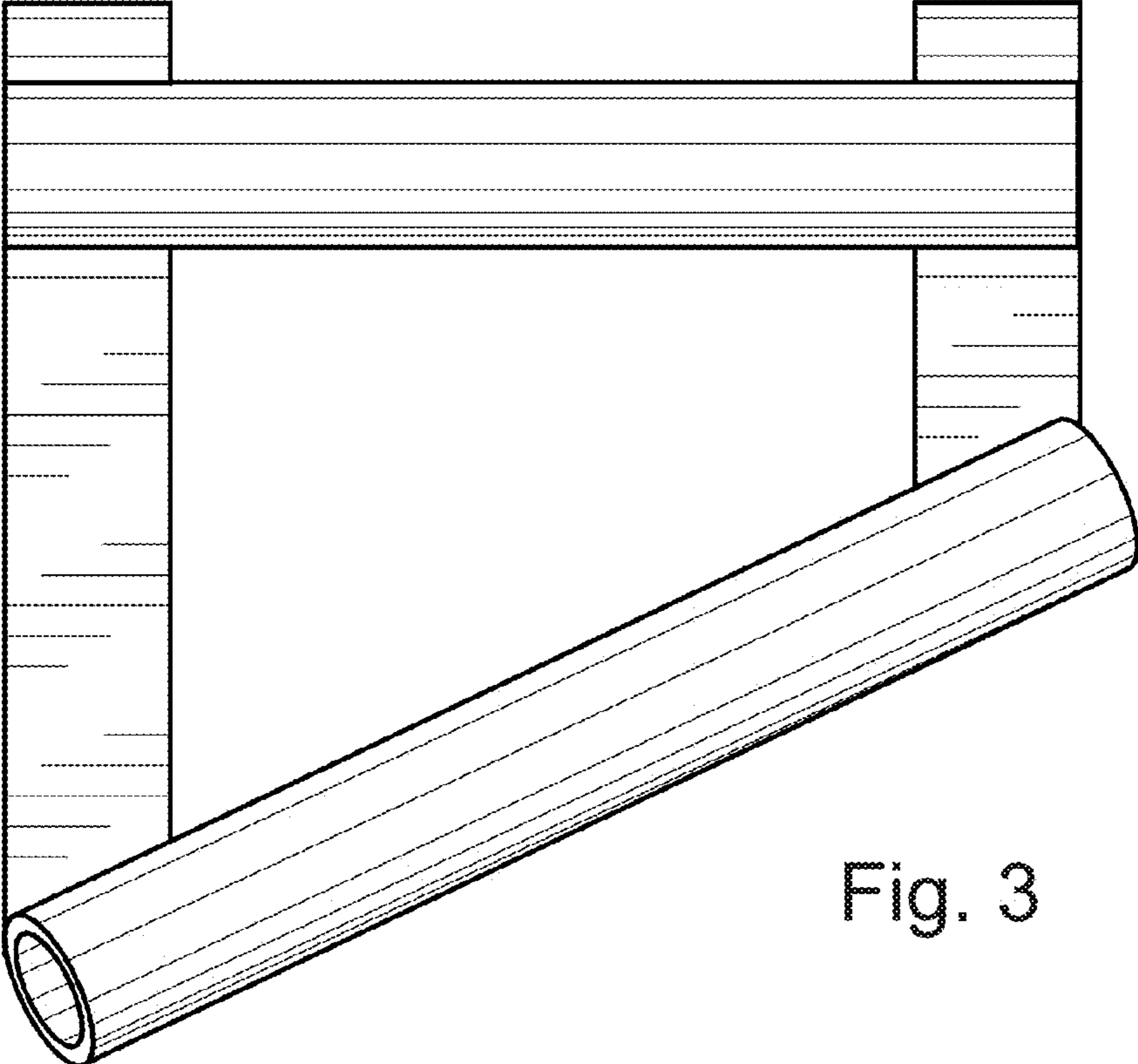


Fig. 3

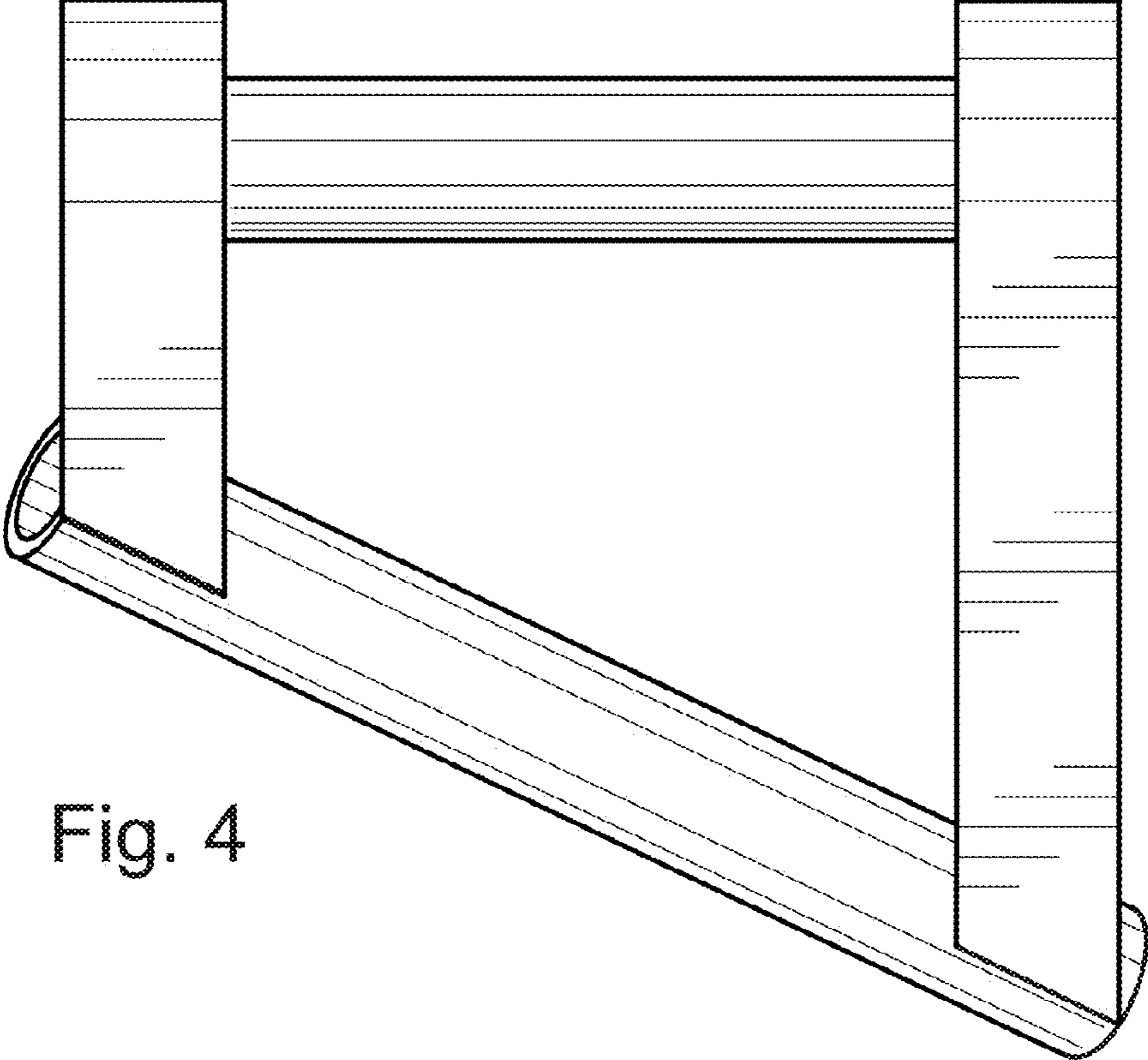


Fig. 4

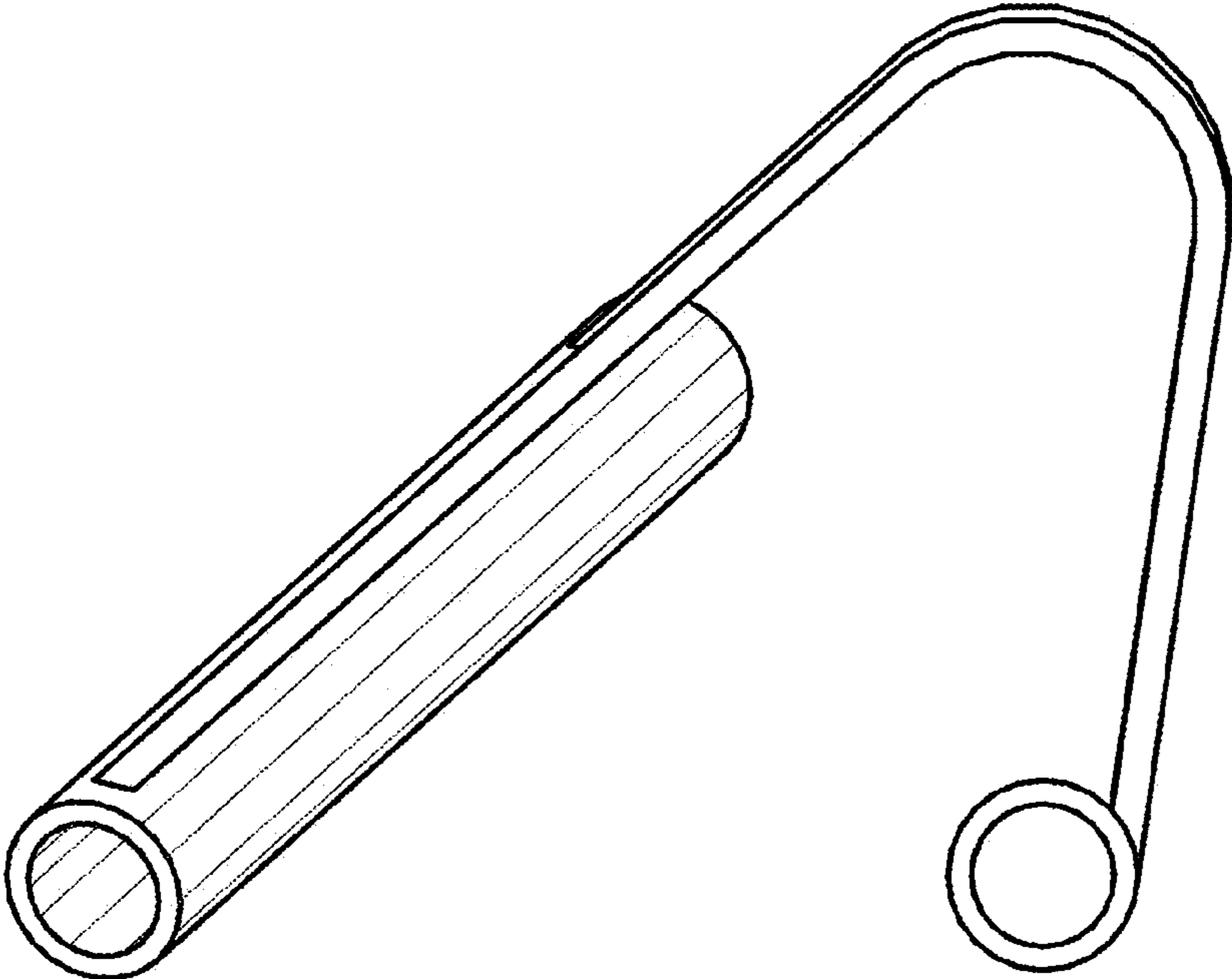


Fig. 5

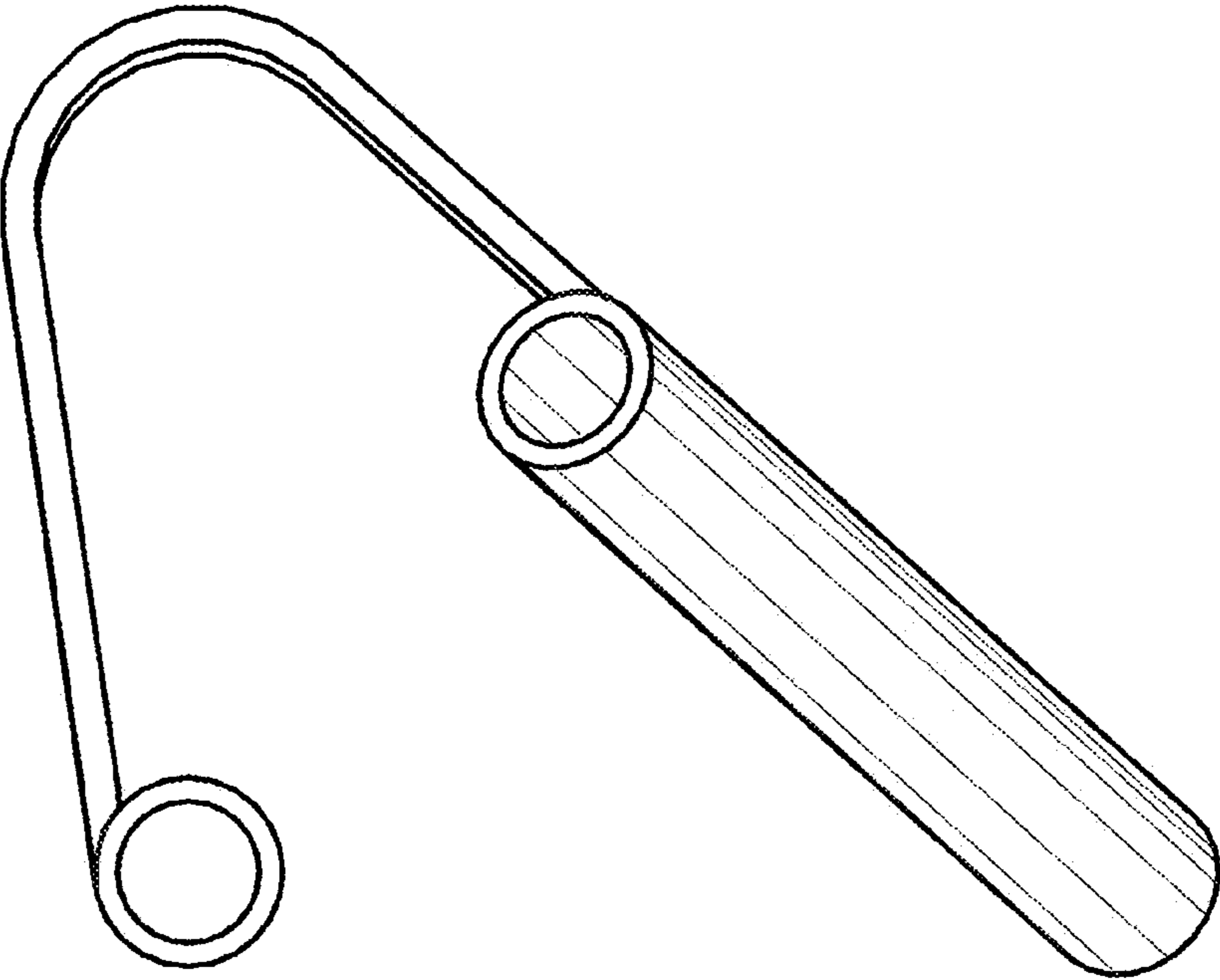


Fig. 6

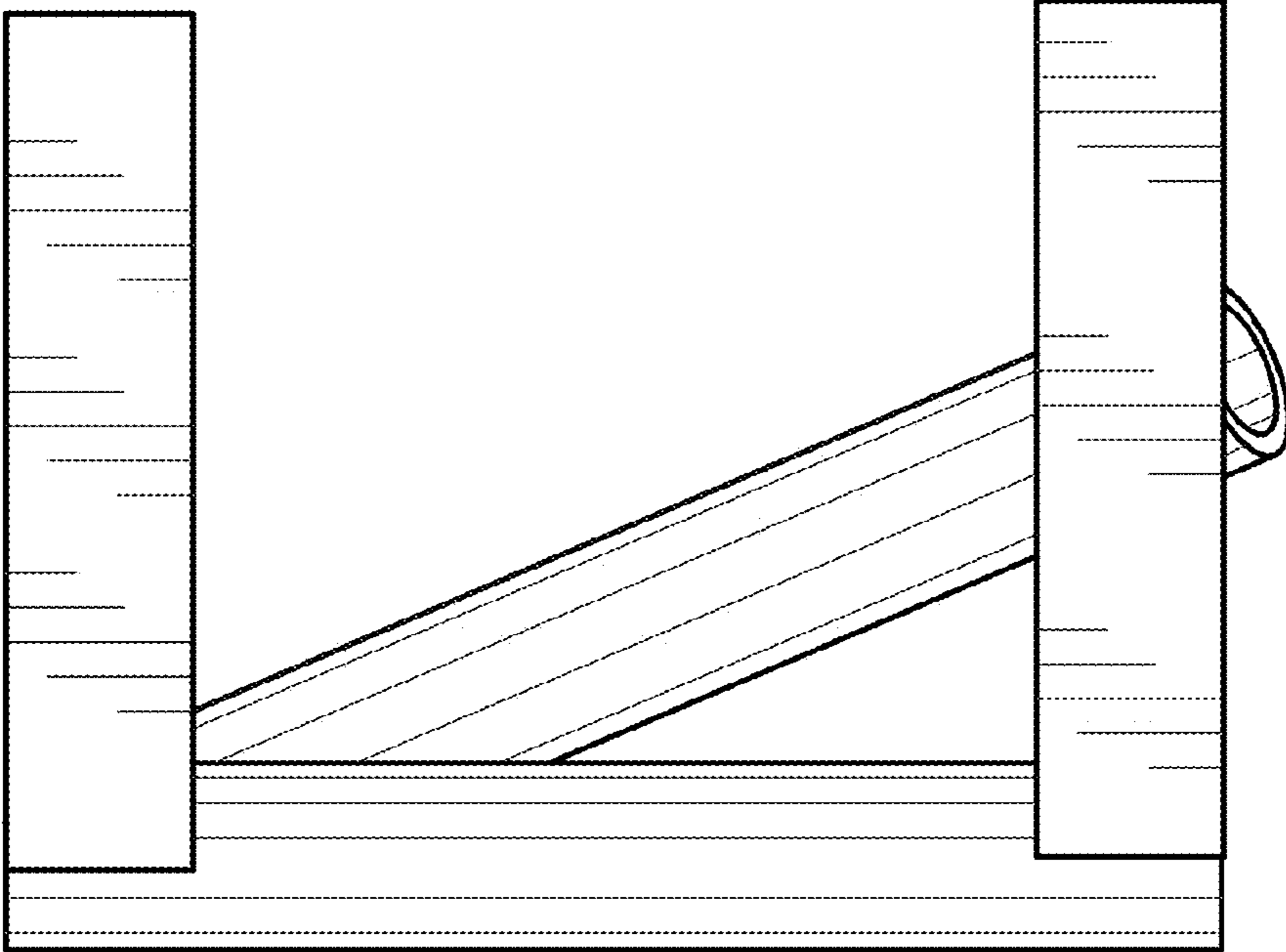


Fig. 7

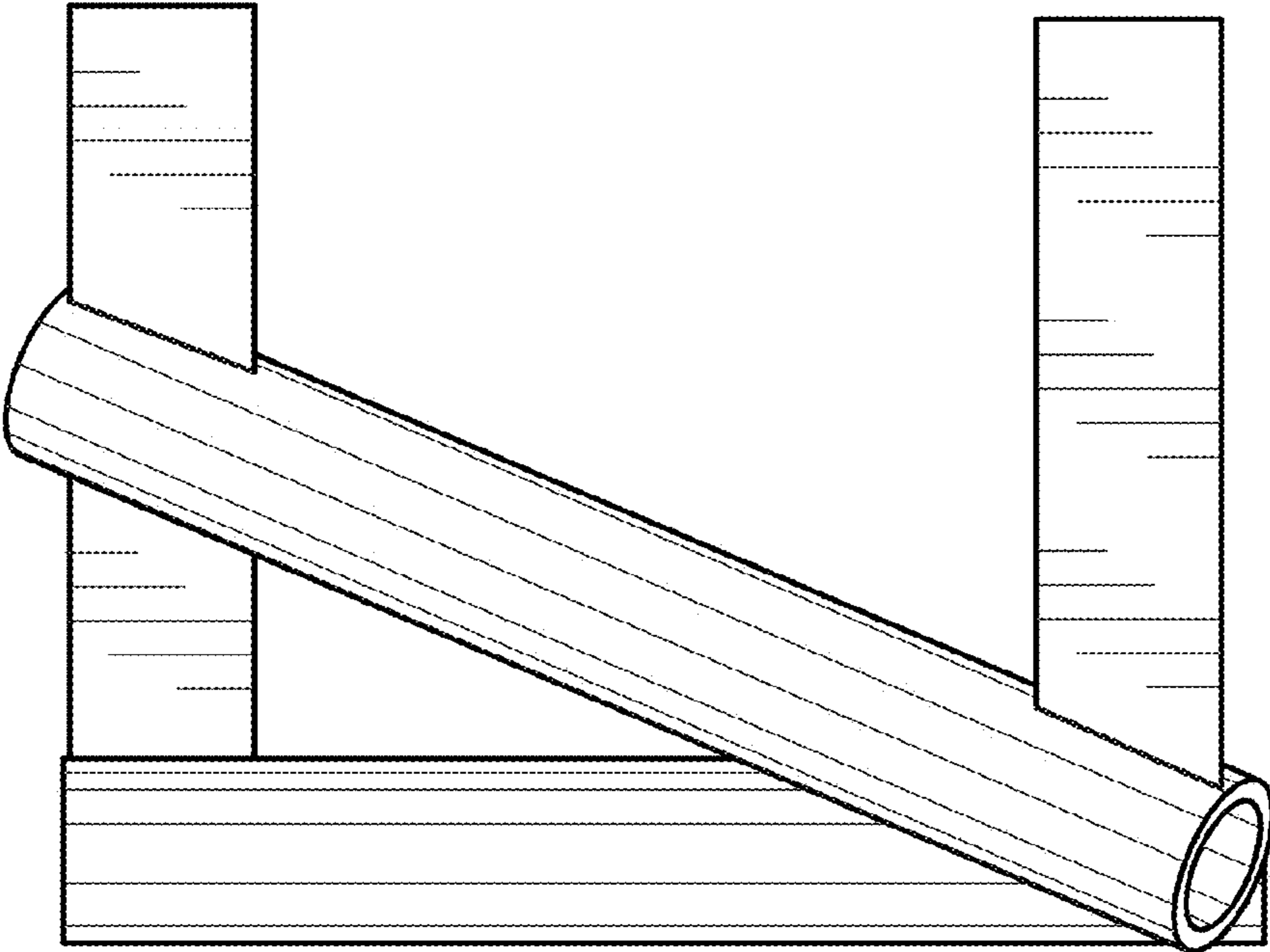
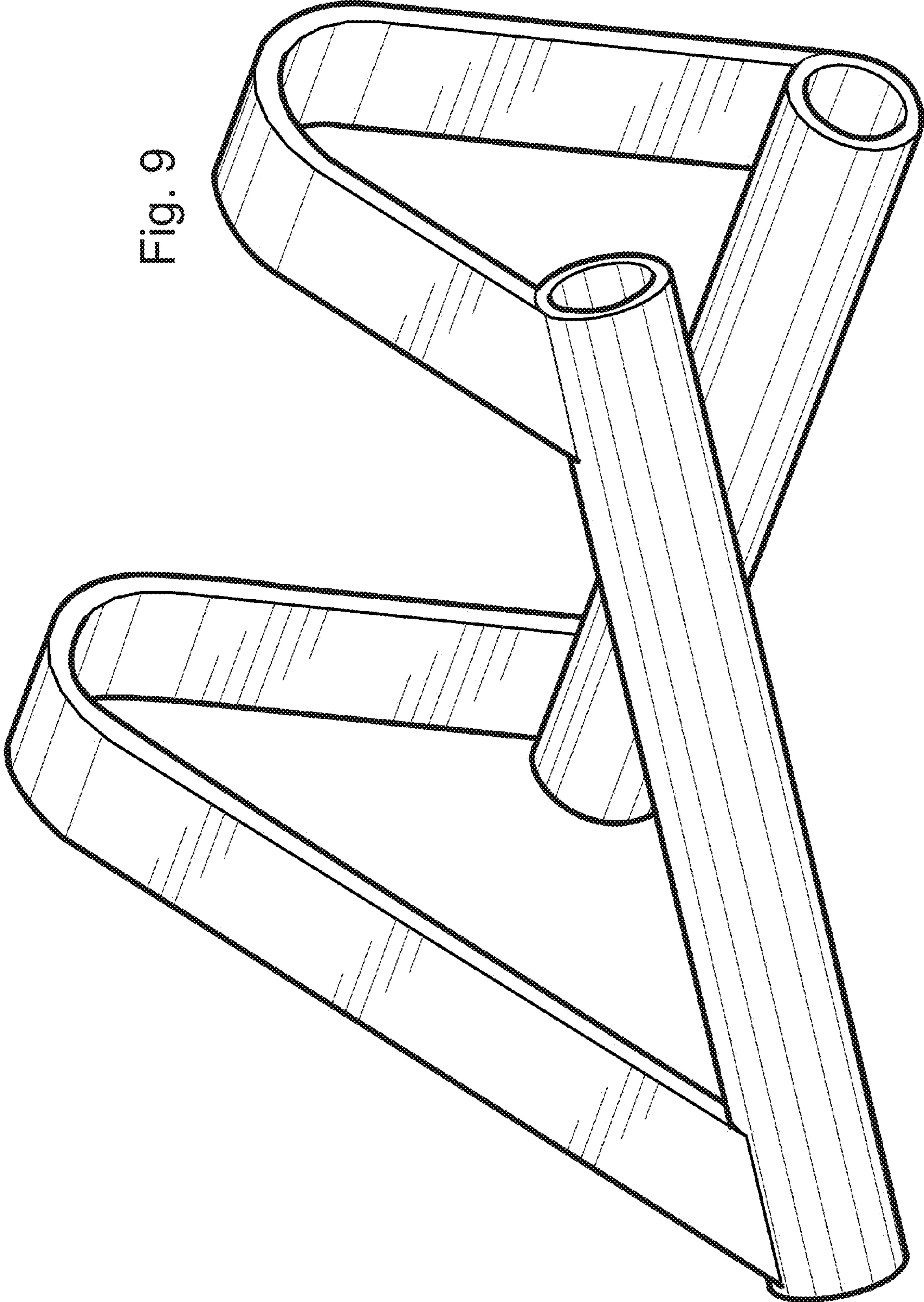


Fig. 8

Fig. 9



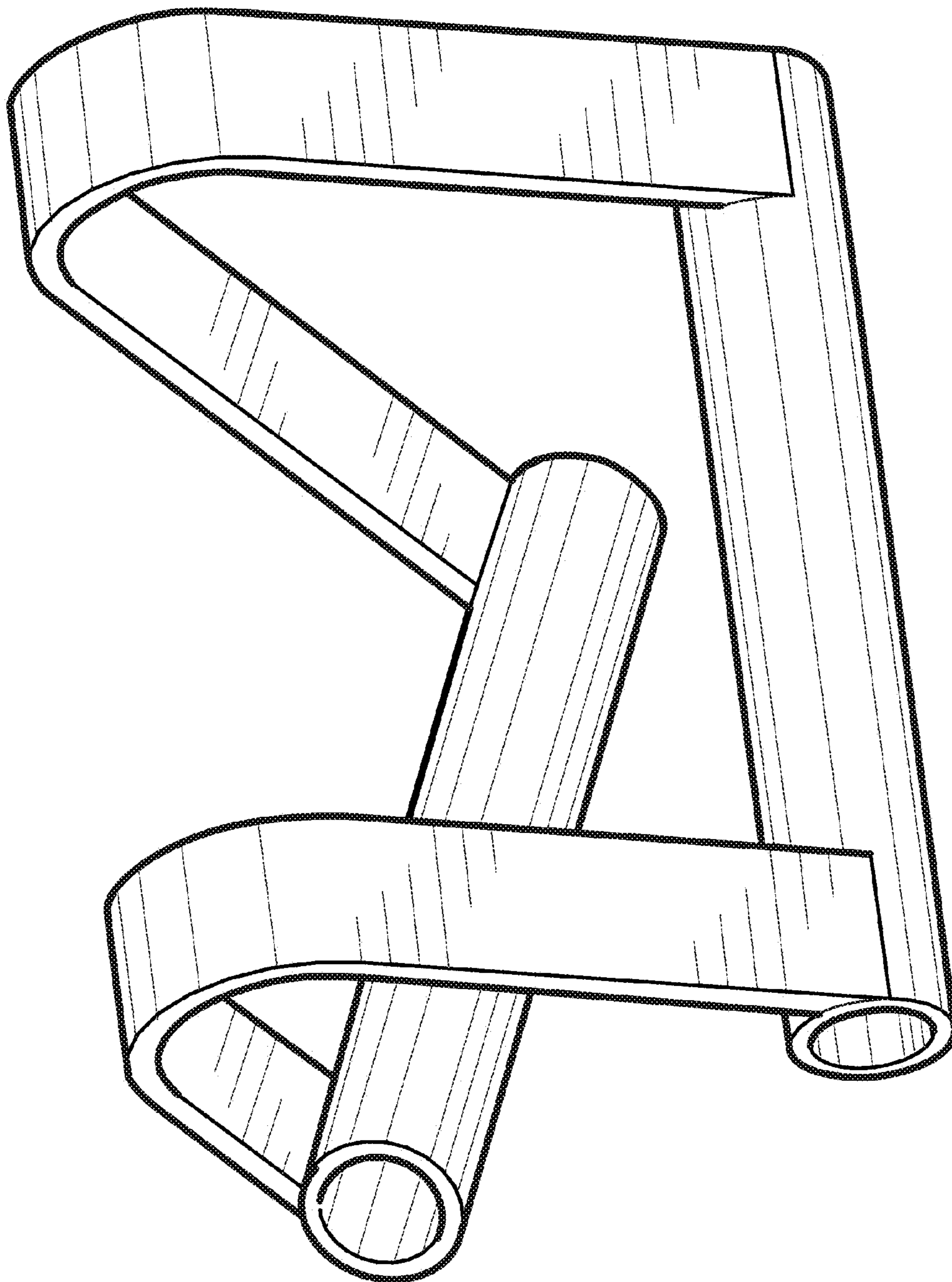


Fig. 10

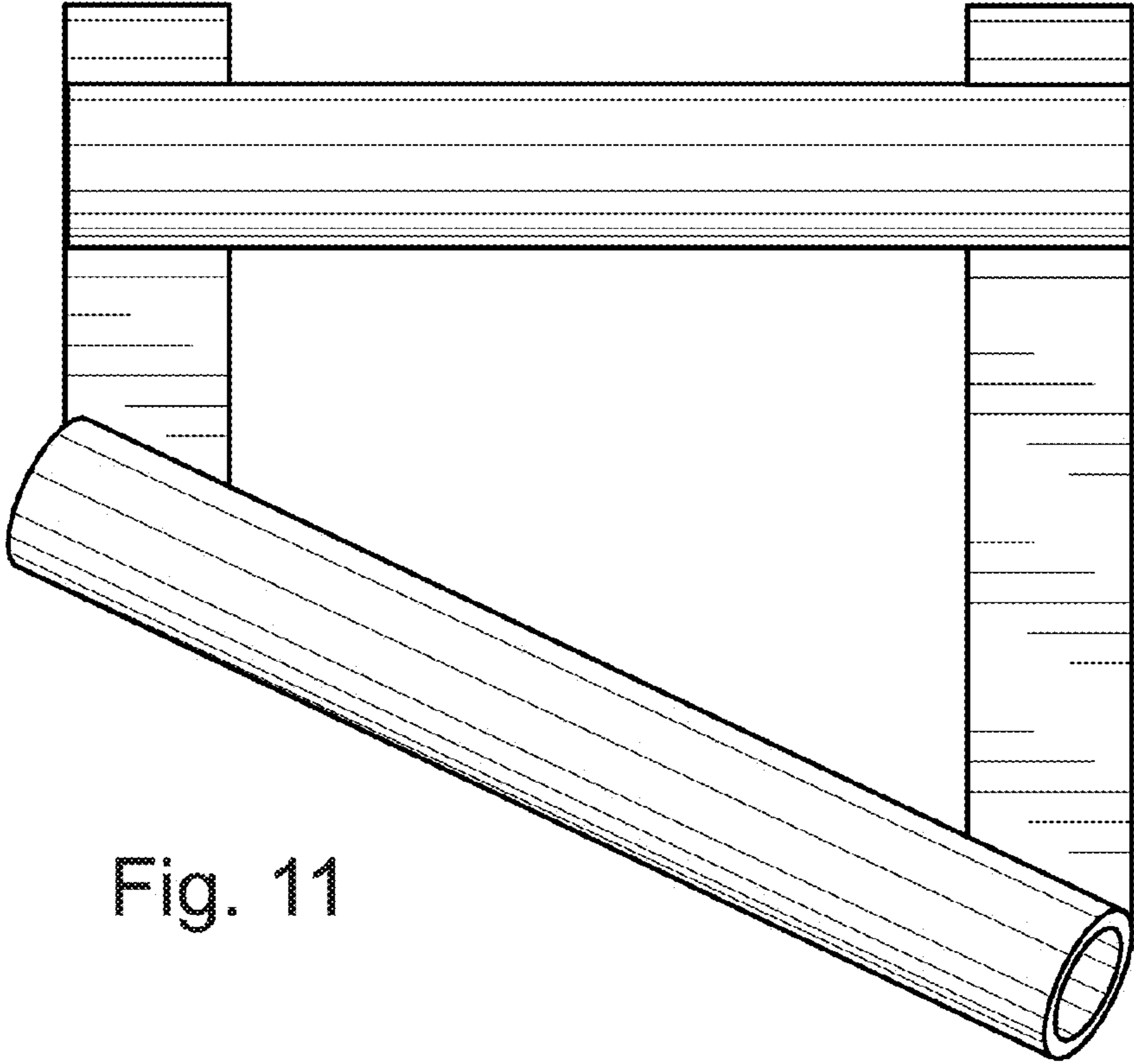


Fig. 11

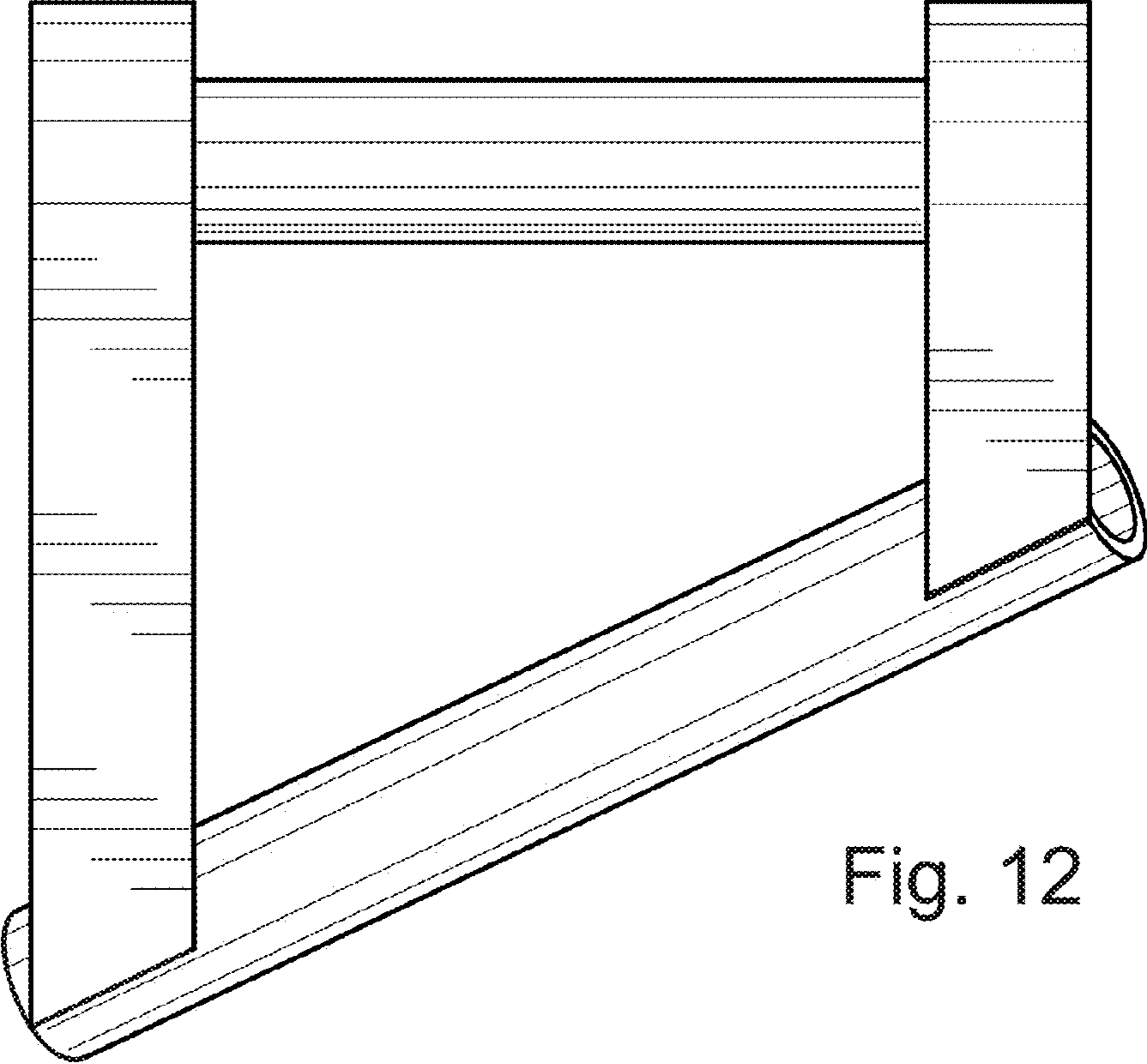


Fig. 12

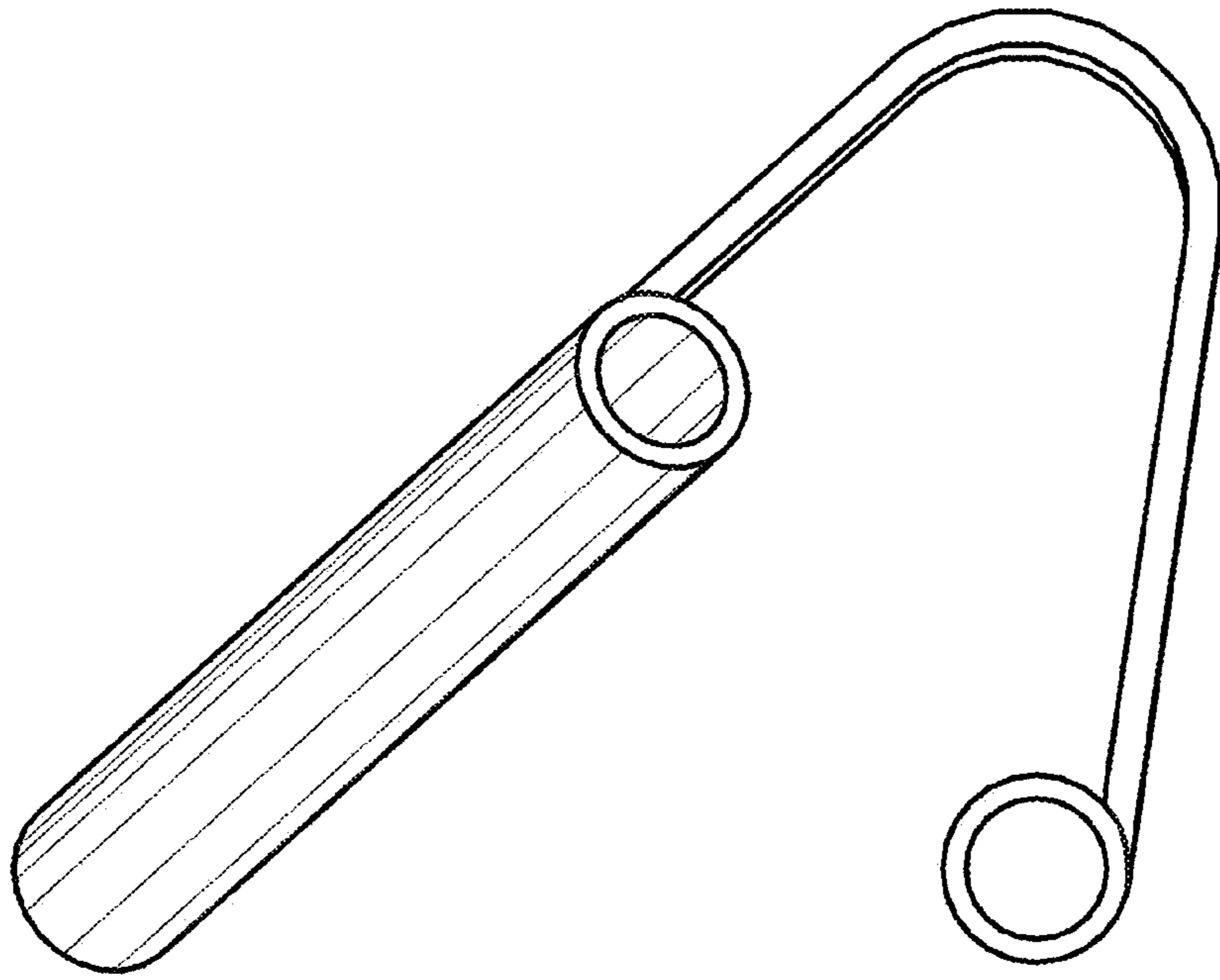


Fig. 13

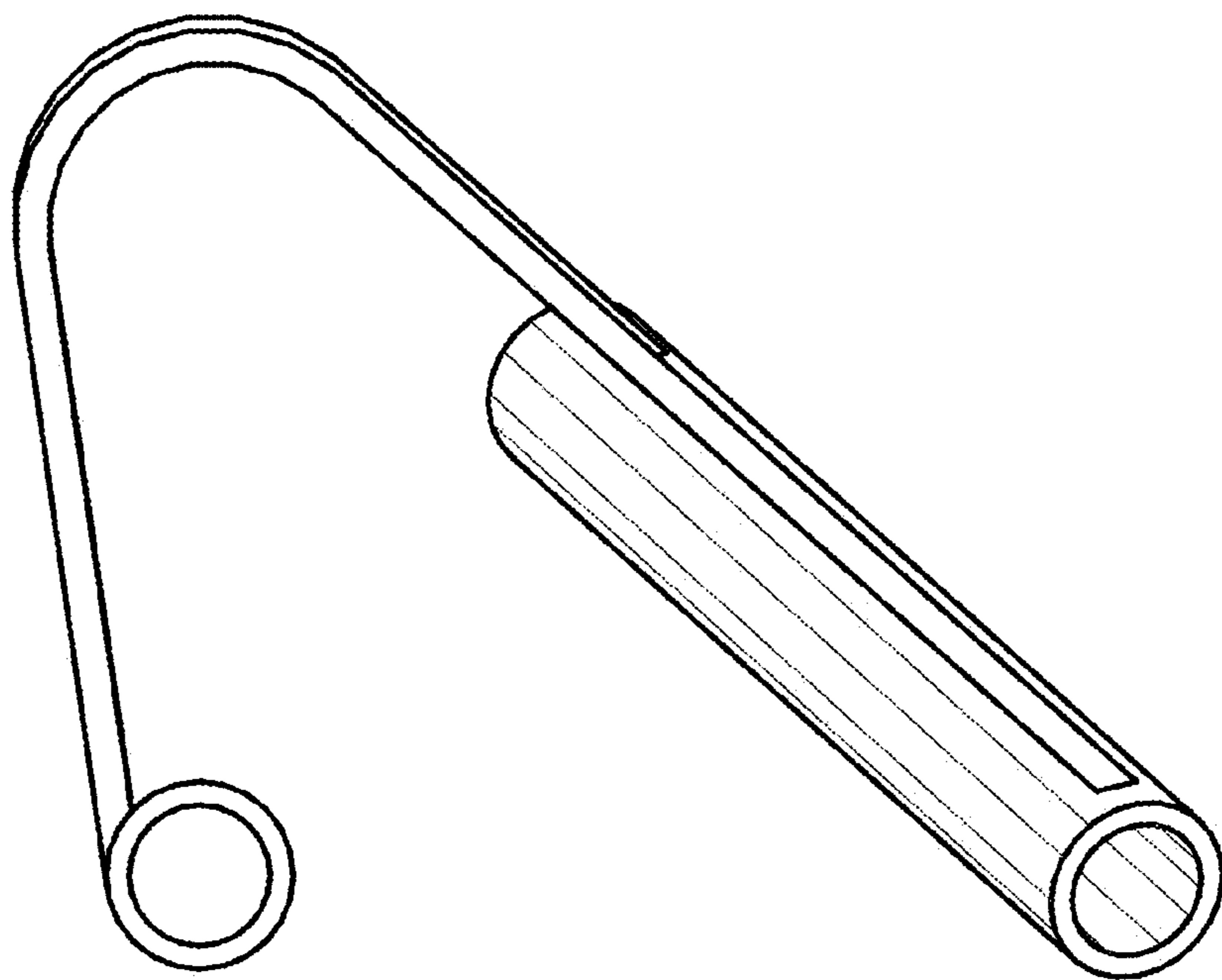


Fig. 14

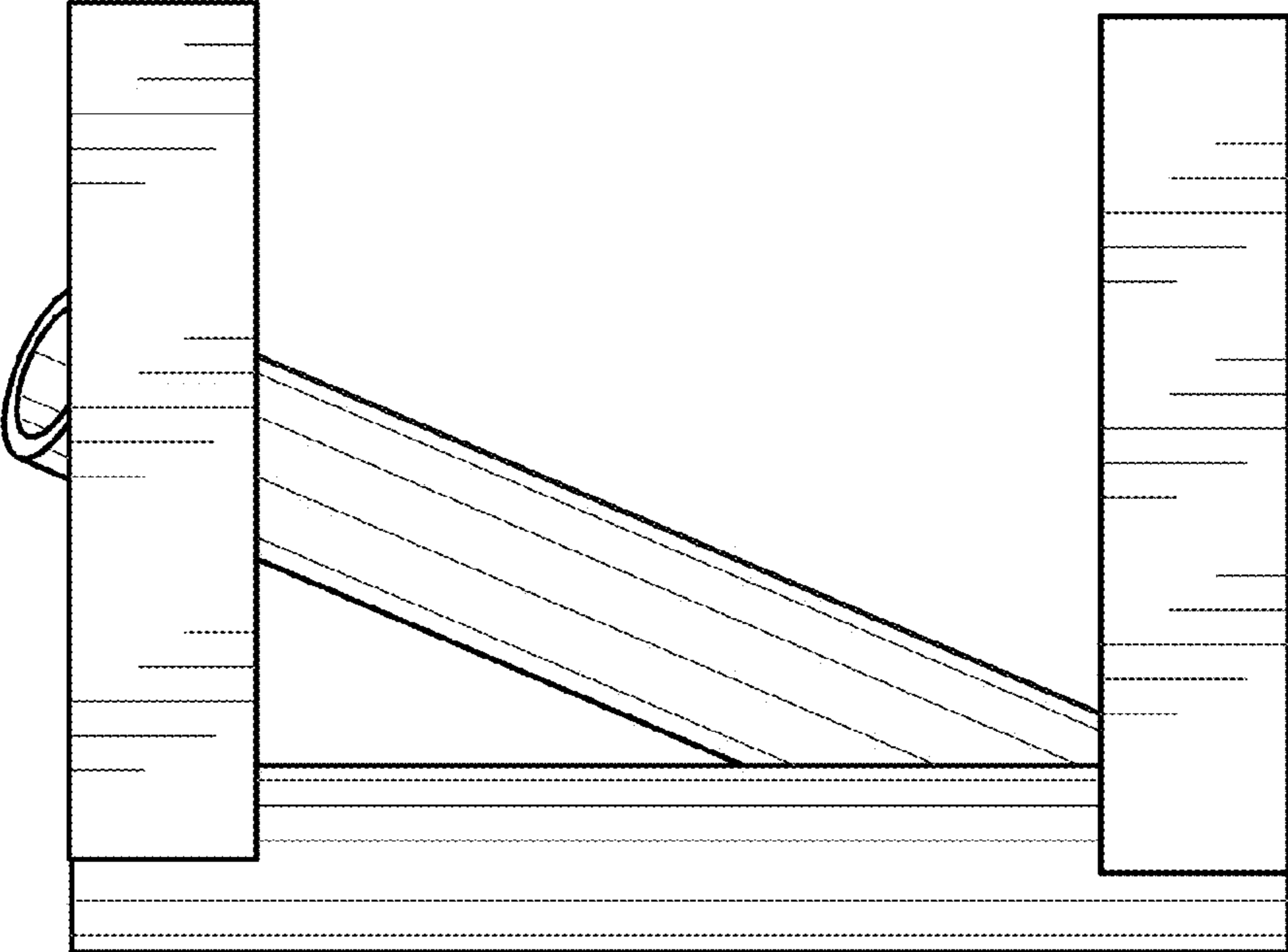


Fig. 15

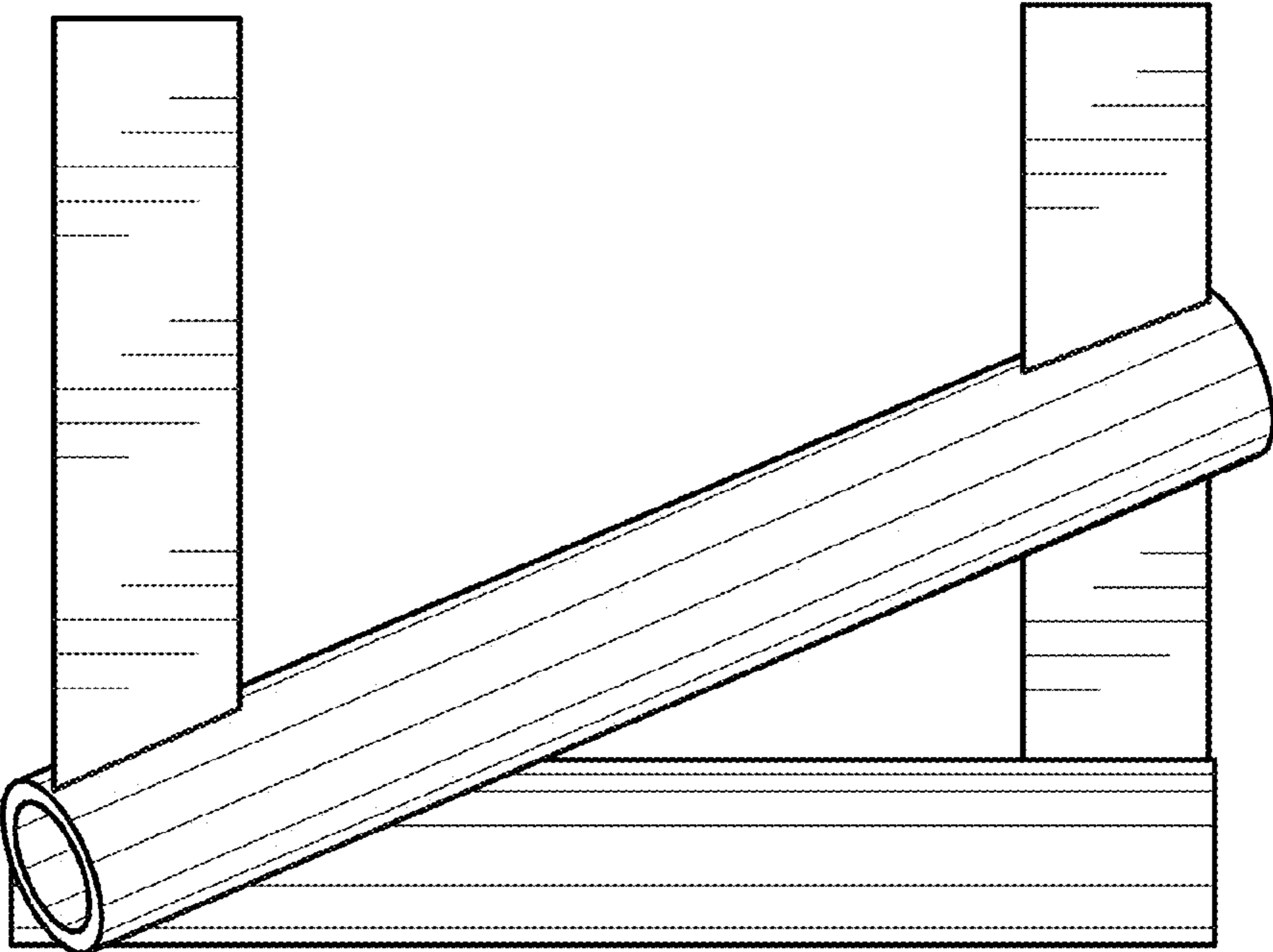


Fig. 16