



US00D704776S

(12) **United States Design Patent**  
**Capriola**

(10) **Patent No.:** **US D704,776 S**  
(45) **Date of Patent:** **\*\* May 13, 2014**

(54) **TOY TABLETOP**

(76) Inventor: **Jonathan Capriola**, Sarasota, FL (US)

(\*\*) Term: **14 Years**

(21) Appl. No.: **29/430,169**

(22) Filed: **Aug. 22, 2012**

(51) **LOC (10) Cl.** ..... **21-01**

(52) **U.S. Cl.**  
USPC ..... **D21/485; D21/522**

(58) **Field of Classification Search**  
USPC ..... D21/484, 485, 493, 494, 519, 522;  
D6/349, 397, 480, 484, 485, 490;  
446/71, 73, 75, 77, 85, 91, 102-128;  
108/11, 12, 13, 14, 25, 26

See application file for complete search history.

(56) **References Cited**

**U.S. PATENT DOCUMENTS**

D350,247 S *	9/1994	Buske .....	D6/484
D352,750 S *	11/1994	Kushner et al. ....	D21/485
D358,511 S *	5/1995	Frahm .....	D6/484
D362,142 S *	9/1995	Lee .....	D6/484
D368,189 S *	3/1996	Bro et al. ....	D6/480
5,509,844 A *	4/1996	Poirier et al. ....	446/71
5,615,619 A *	4/1997	King .....	108/25
D385,926 S *	11/1997	Nielsen .....	D21/485
D387,583 S *	12/1997	Shear .....	D6/484
5,782,185 A *	7/1998	Frahm et al. ....	100/25
D464,089 S *	10/2002	Studebaker .....	D21/522
D575,313 S *	8/2008	Hull et al. ....	D15/141
D624,606 S *	9/2010	Carmack .....	D21/522

D631,104 S \* 1/2011 With ..... D21/485

\* cited by examiner

*Primary Examiner* — Cynthia M Chin

(74) *Attorney, Agent, or Firm* — Allen, Dyer, Doppelt, Milbrath & Gilchrist, P.A.

(57) **CLAIM**

The ornamental design for a toy tabletop, as shown and described.

**DESCRIPTION**

FIG. 1 is a top perspective view of a toy tabletop showing our new design;

FIG. 2 is a top view;

FIG. 3 is a bottom view;

FIG. 4 is a front view;

FIG. 5 is a rear view;

FIG. 6 is a left side view;

FIG. 7 is a right side view;

FIG. 8 is a partial close-up view taken from the upper right of the top perspective view of FIG. 1;

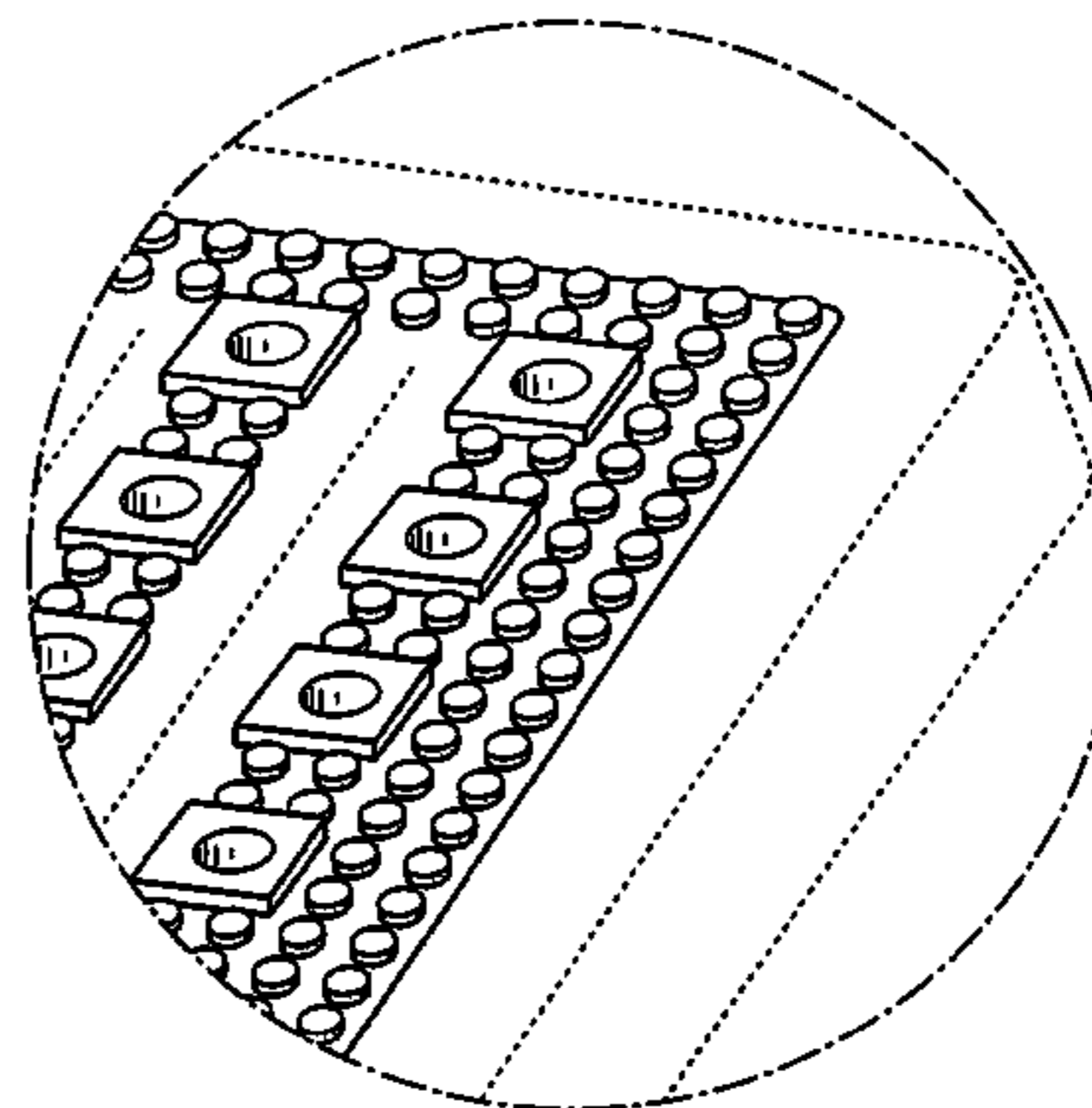
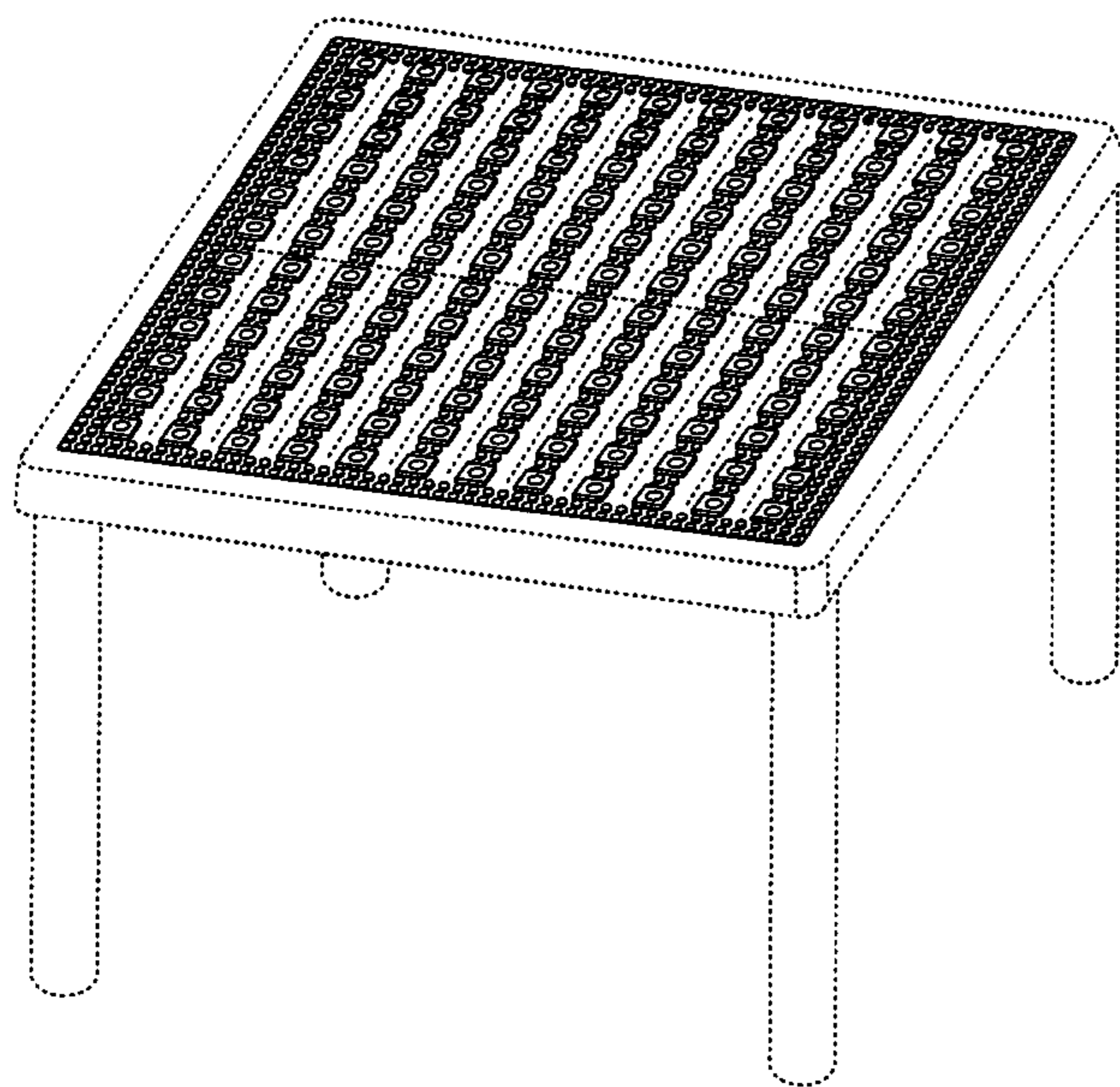
FIG. 9 is a partial close-up view taken from the upper left of the front view of FIG. 5;

FIG. 10 is is a top perspective view of second embodiment of a toy tabletop; and,

FIG. 11 is is a top perspective view of third embodiment of a toy tabletop.

In the drawings, the broken lines depict portions of the design that form no part of the claim.

**1 Claim, 8 Drawing Sheets**



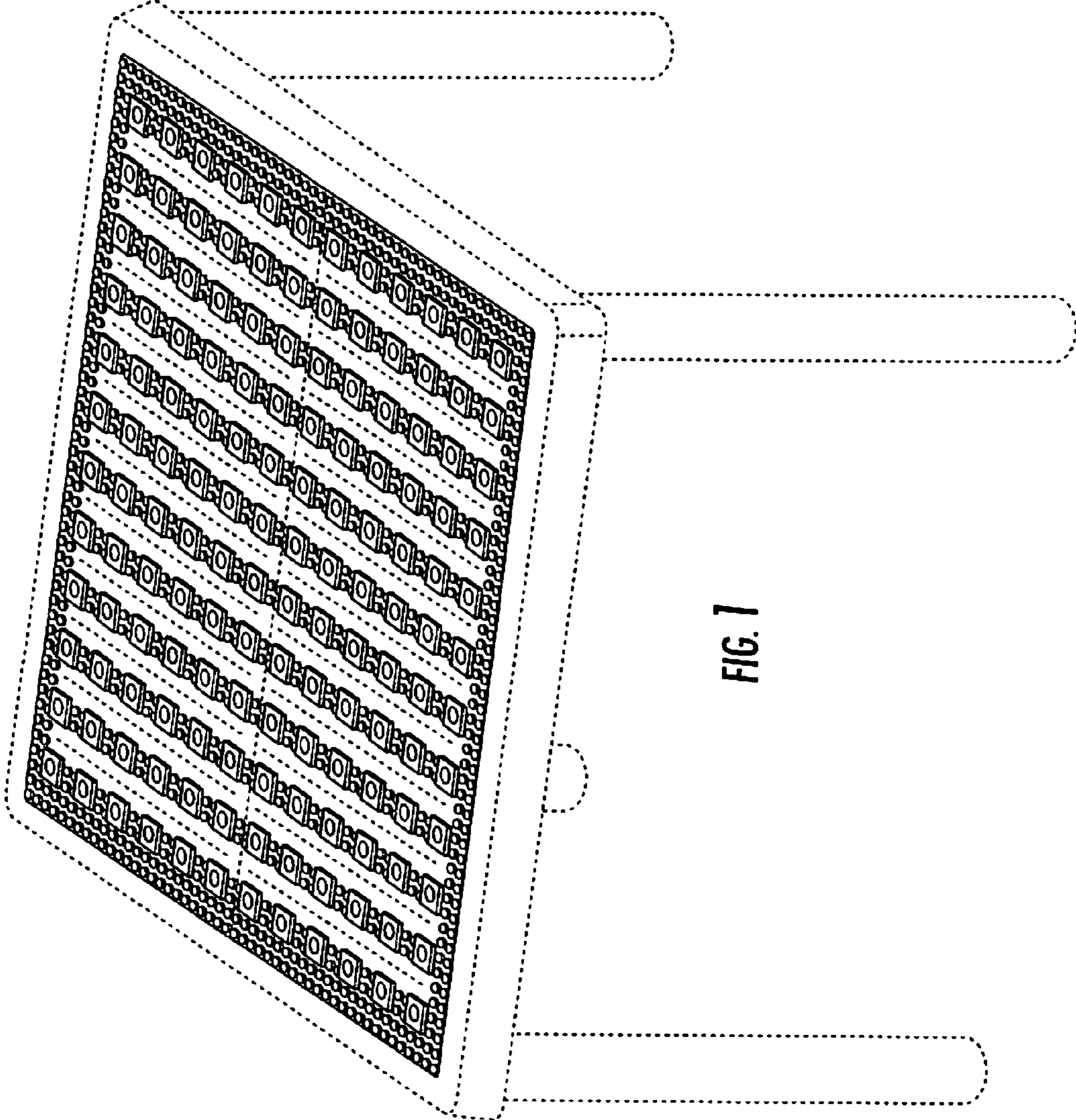


FIG. 1



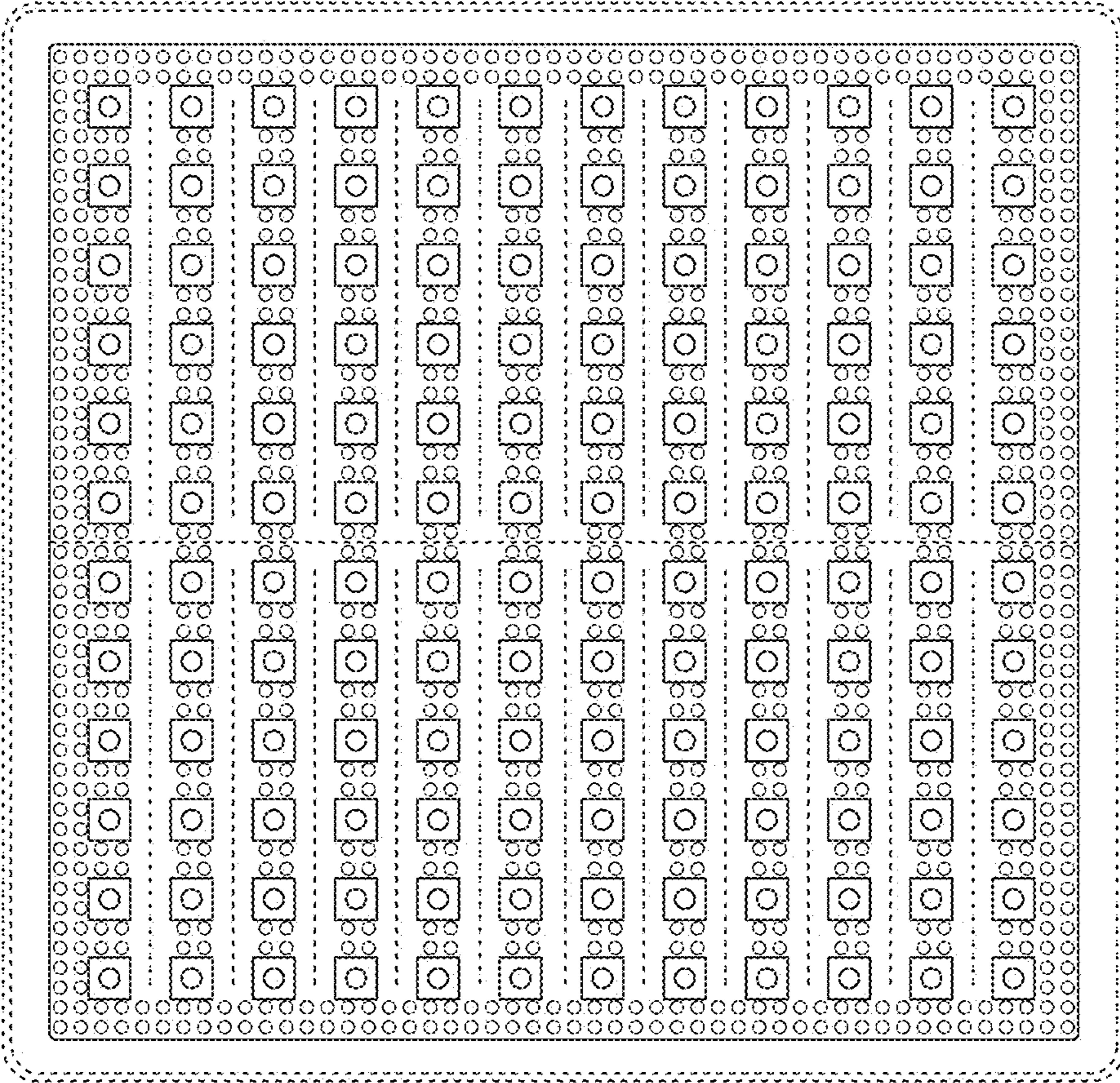
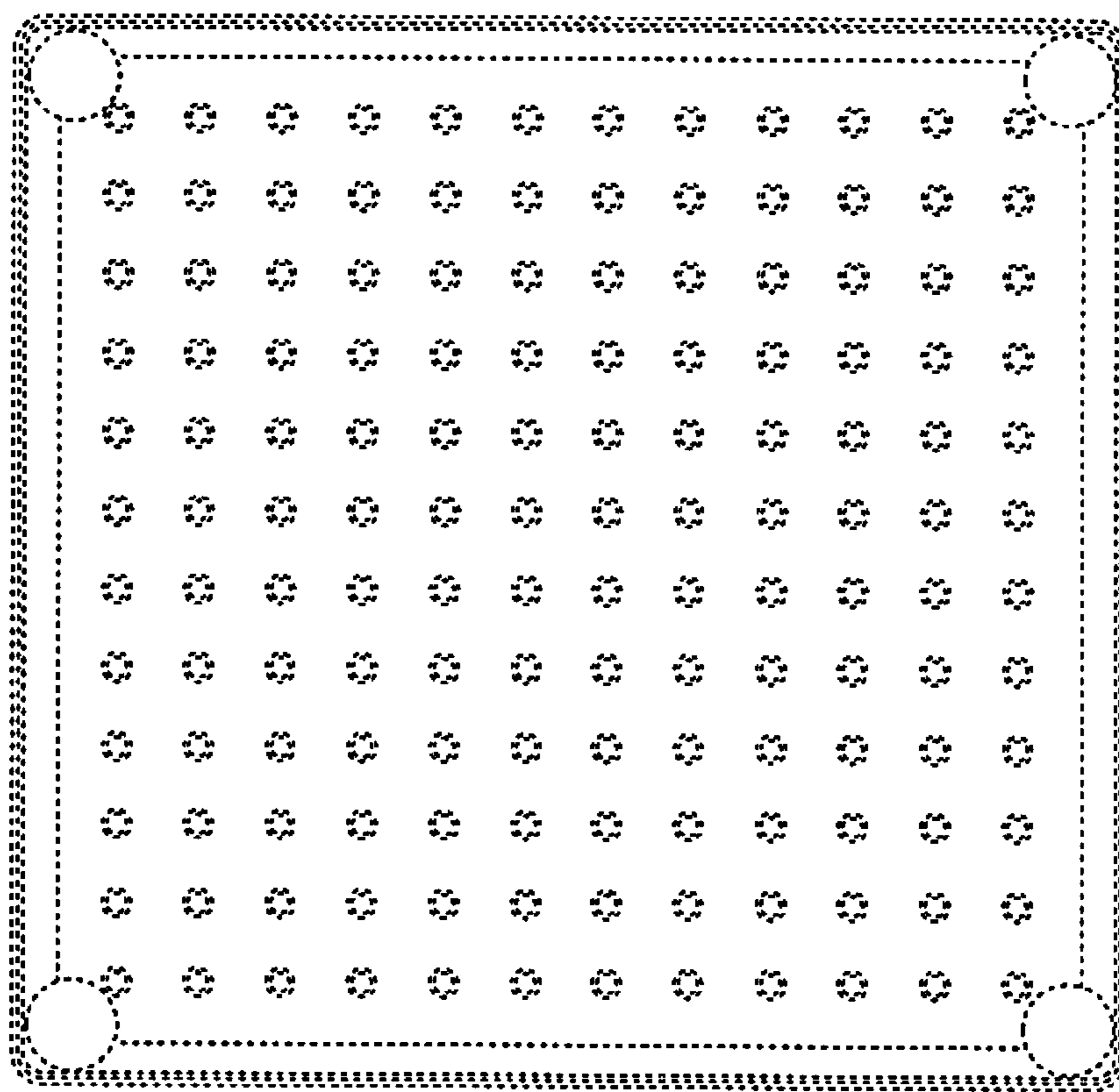
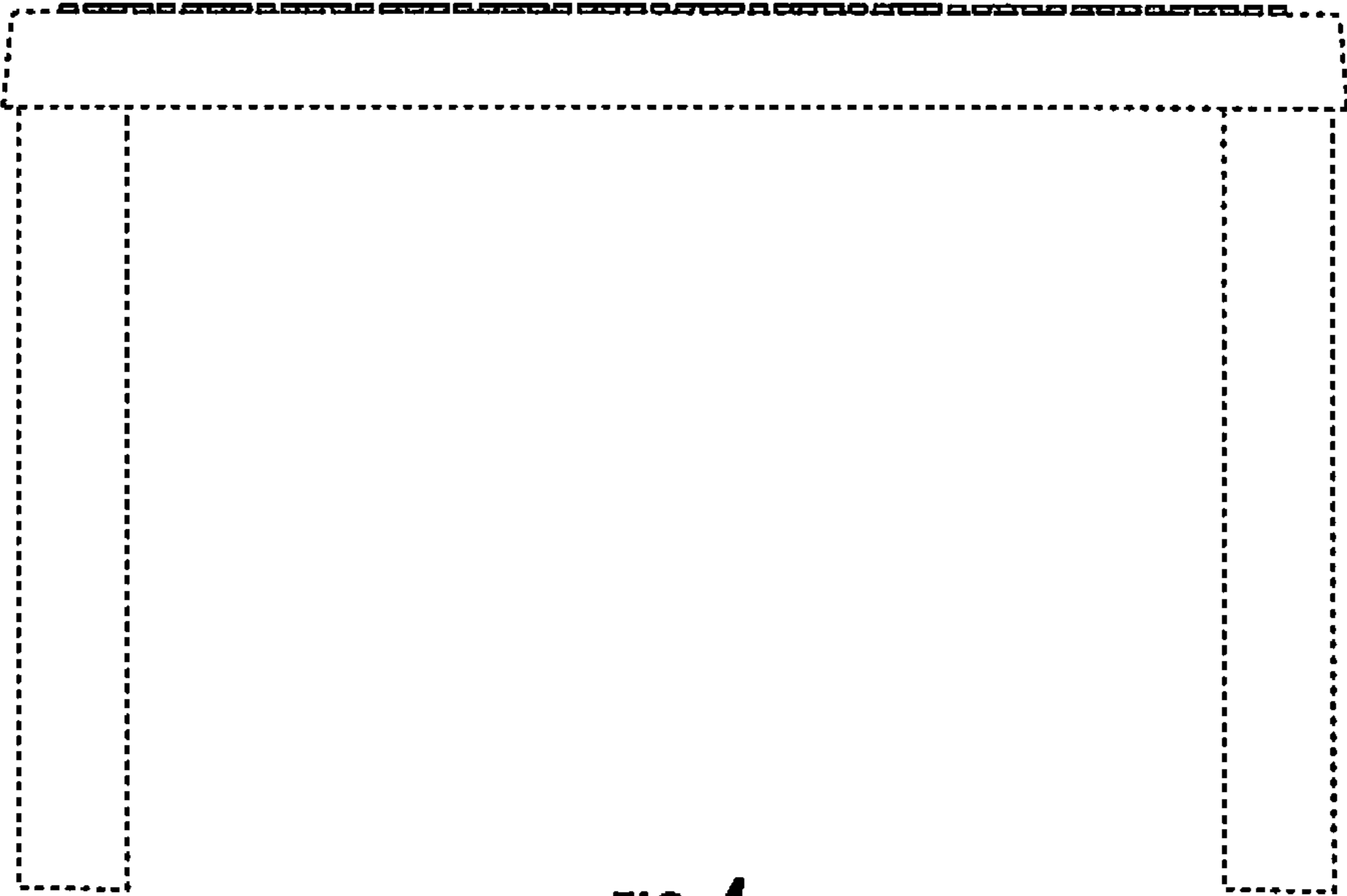


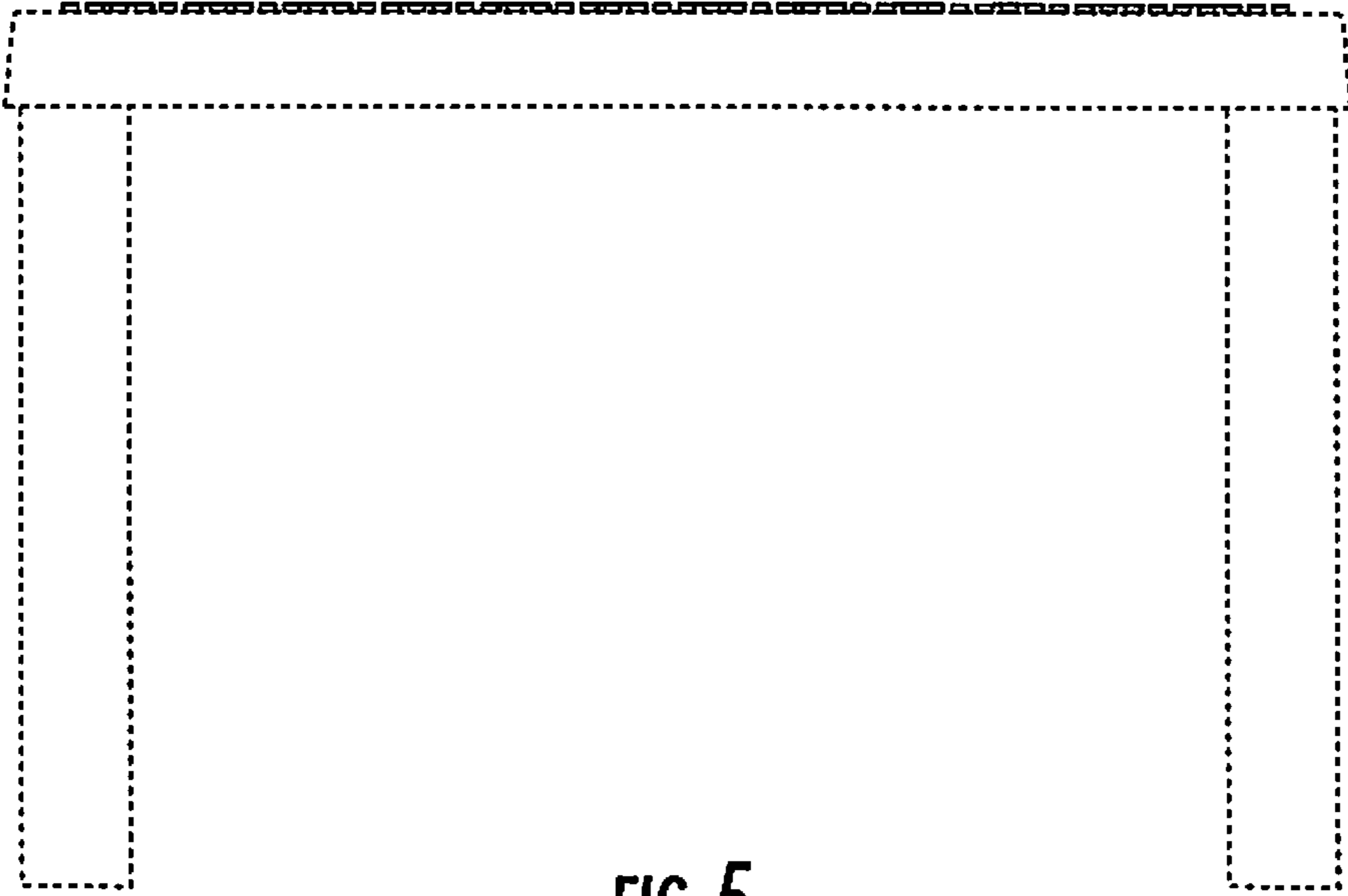
FIG. 2



**FIG. 3**



**FIG. 4**



**FIG. 5**

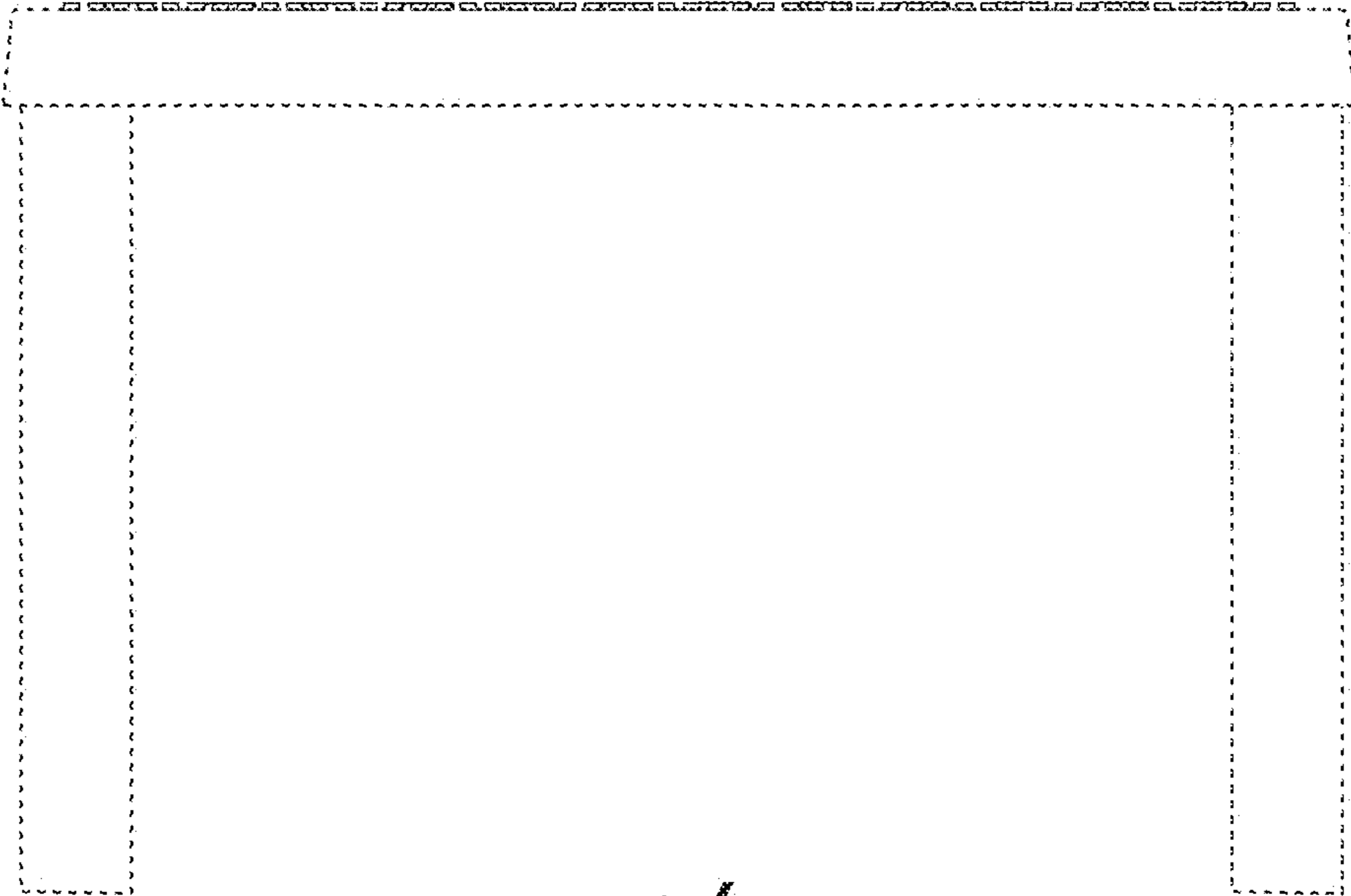


FIG. 6

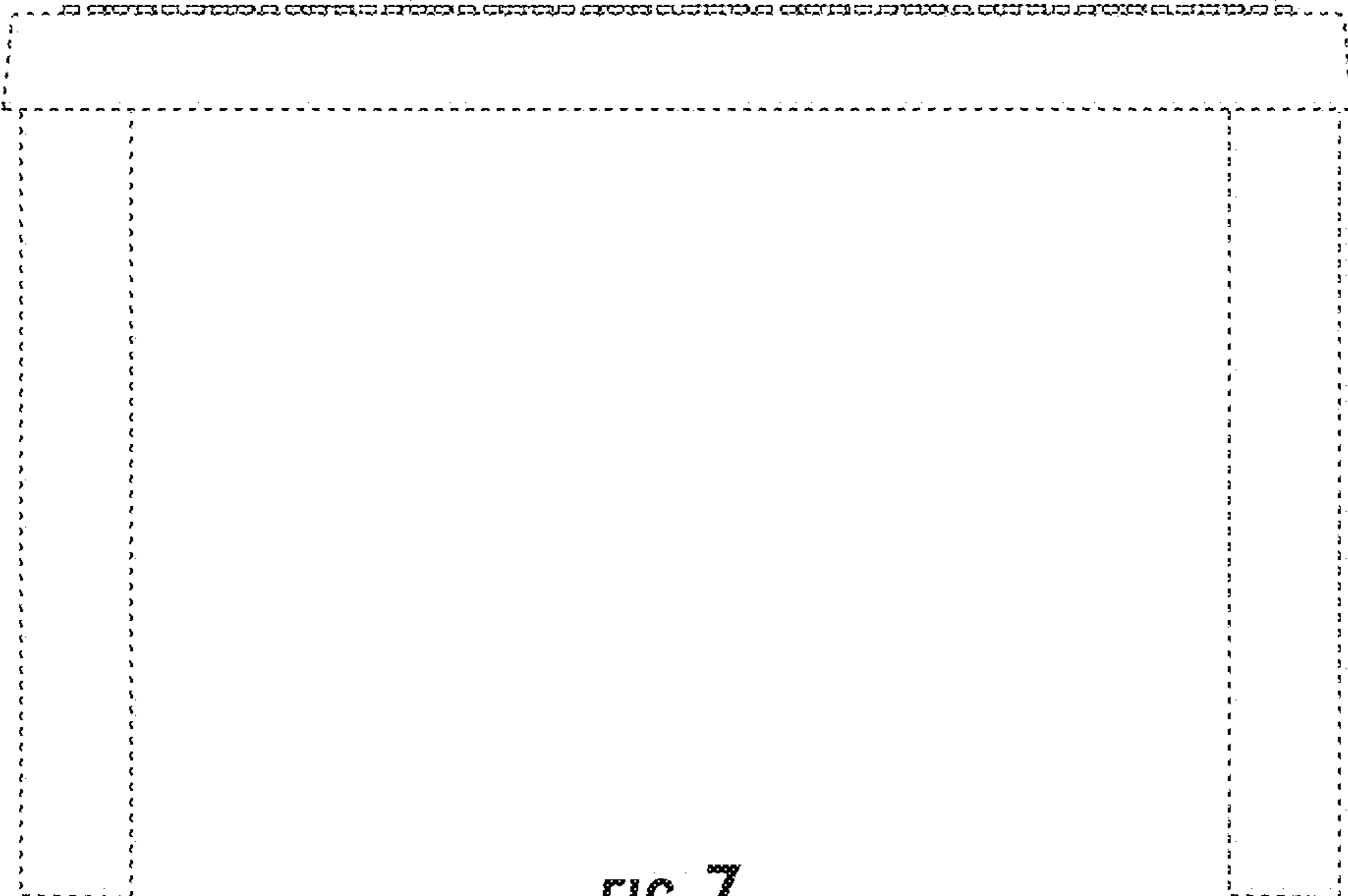


FIG. 7

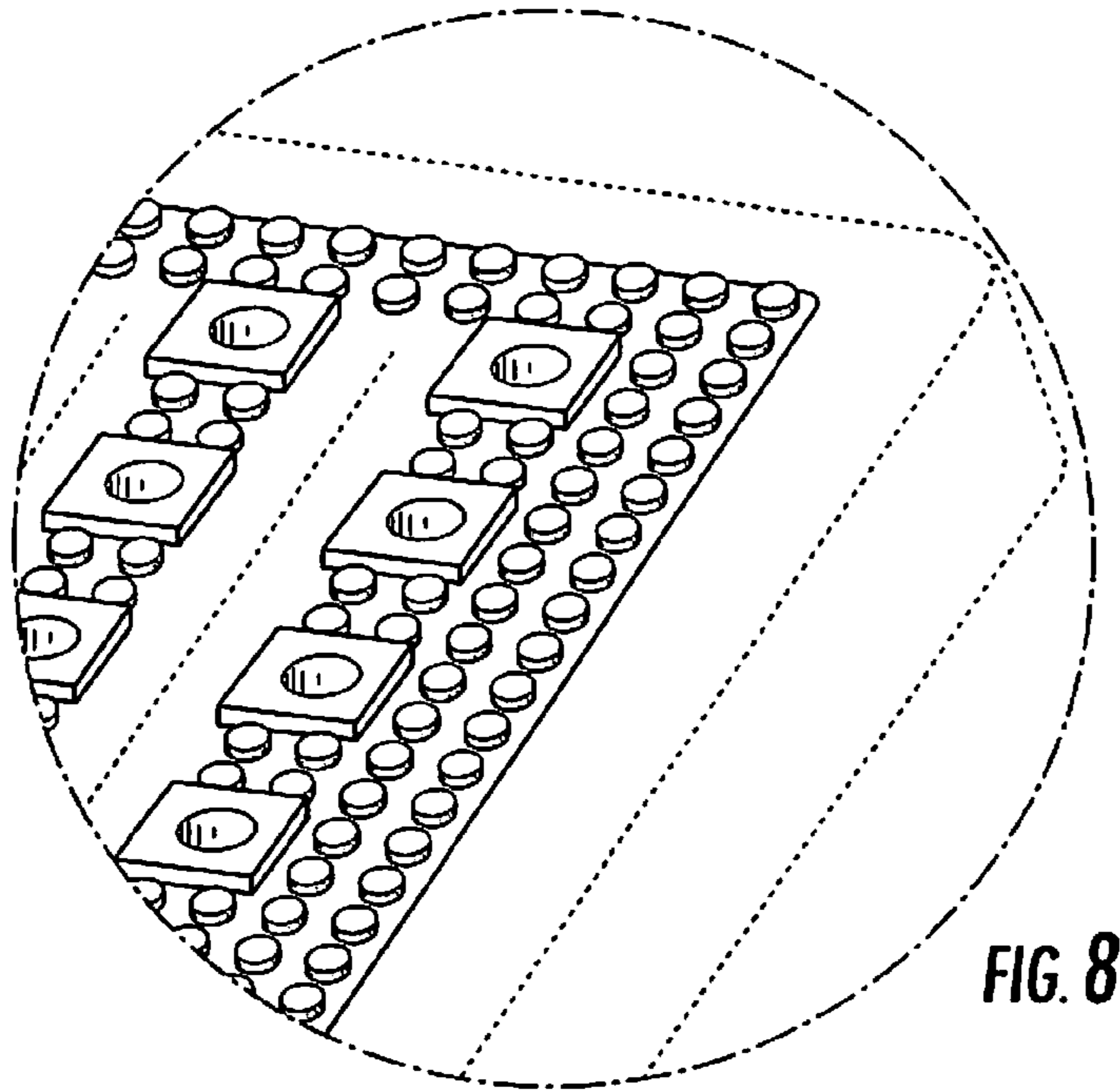


FIG. 8

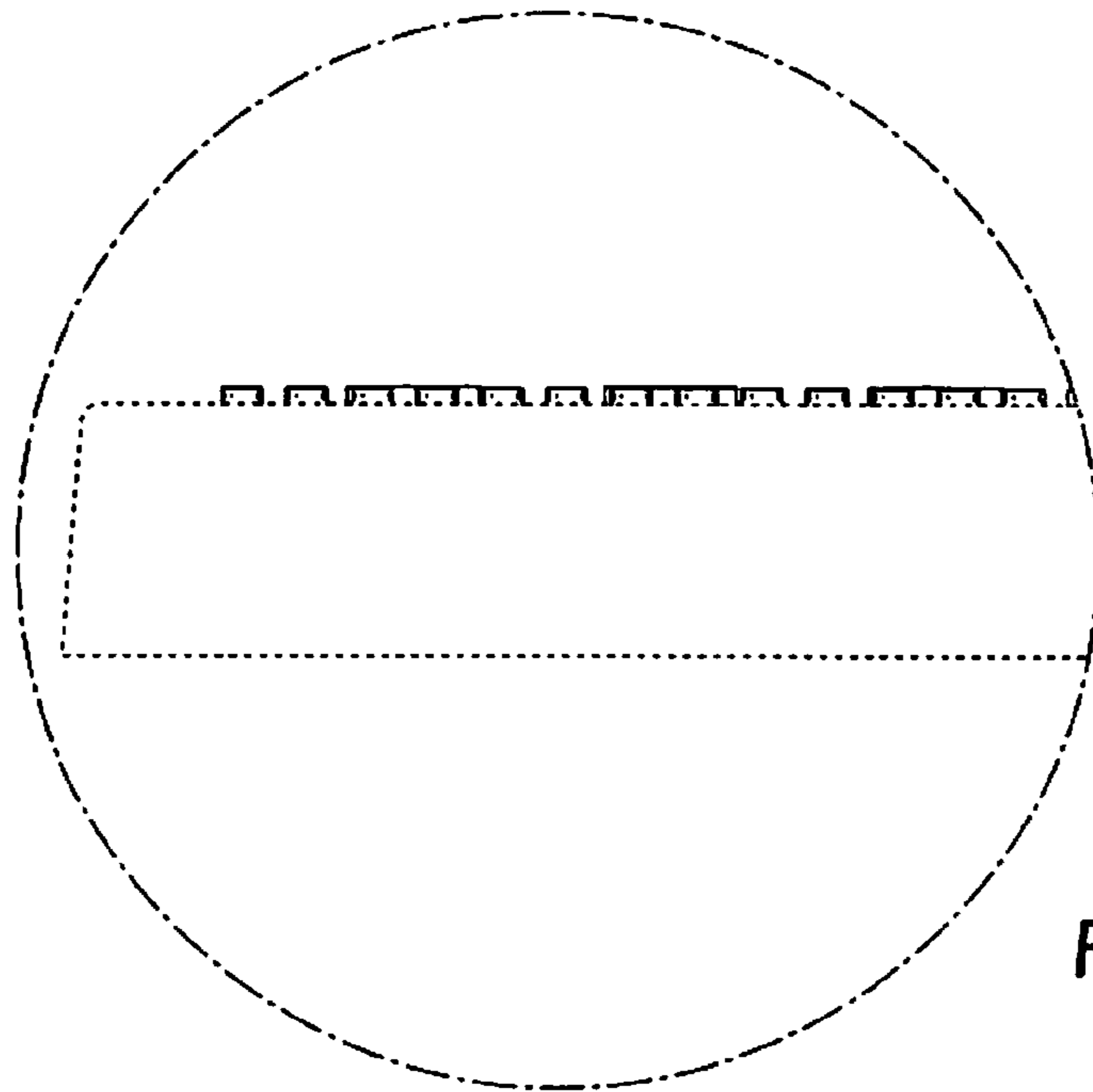


FIG. 9



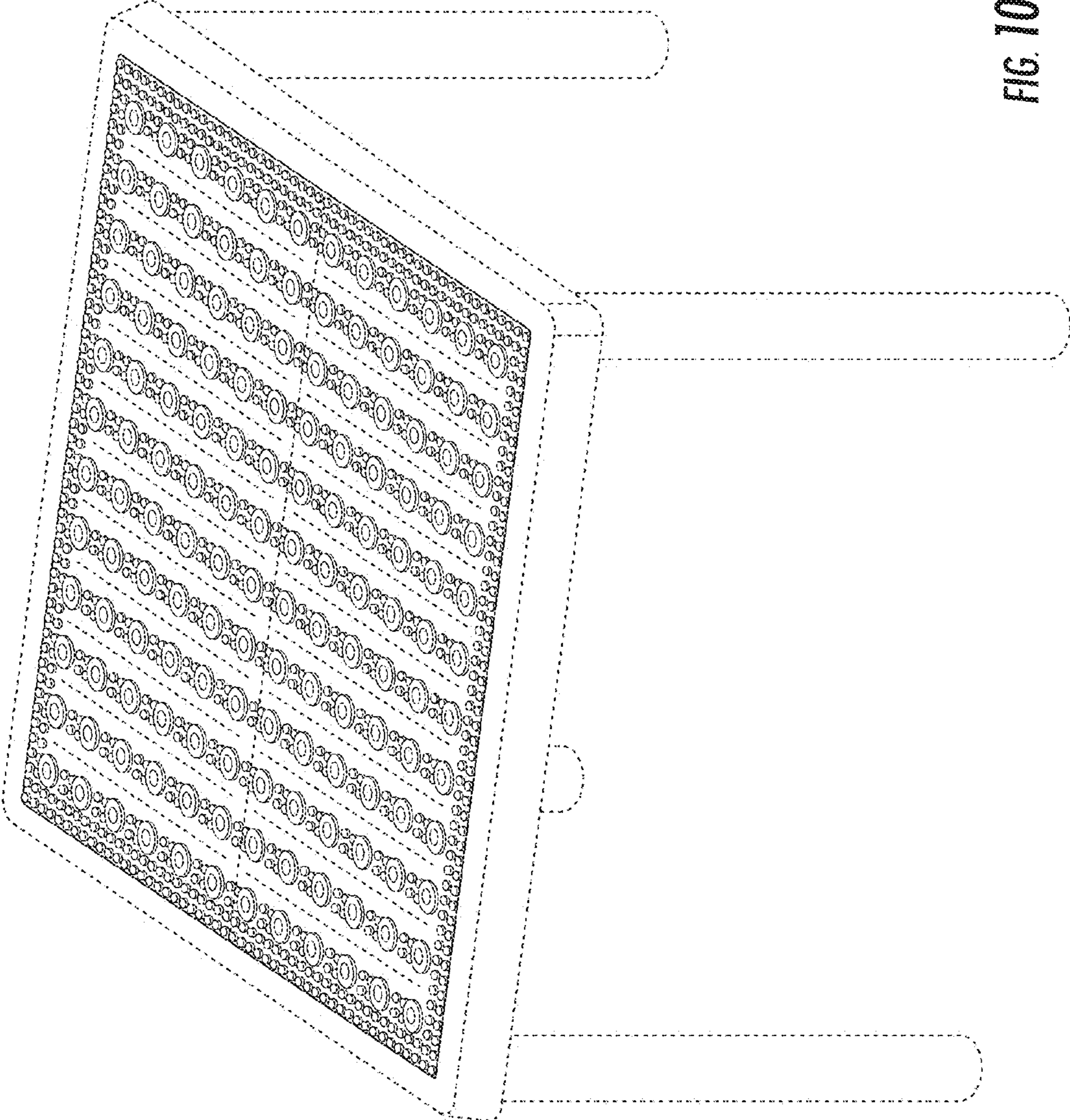


FIG. 10



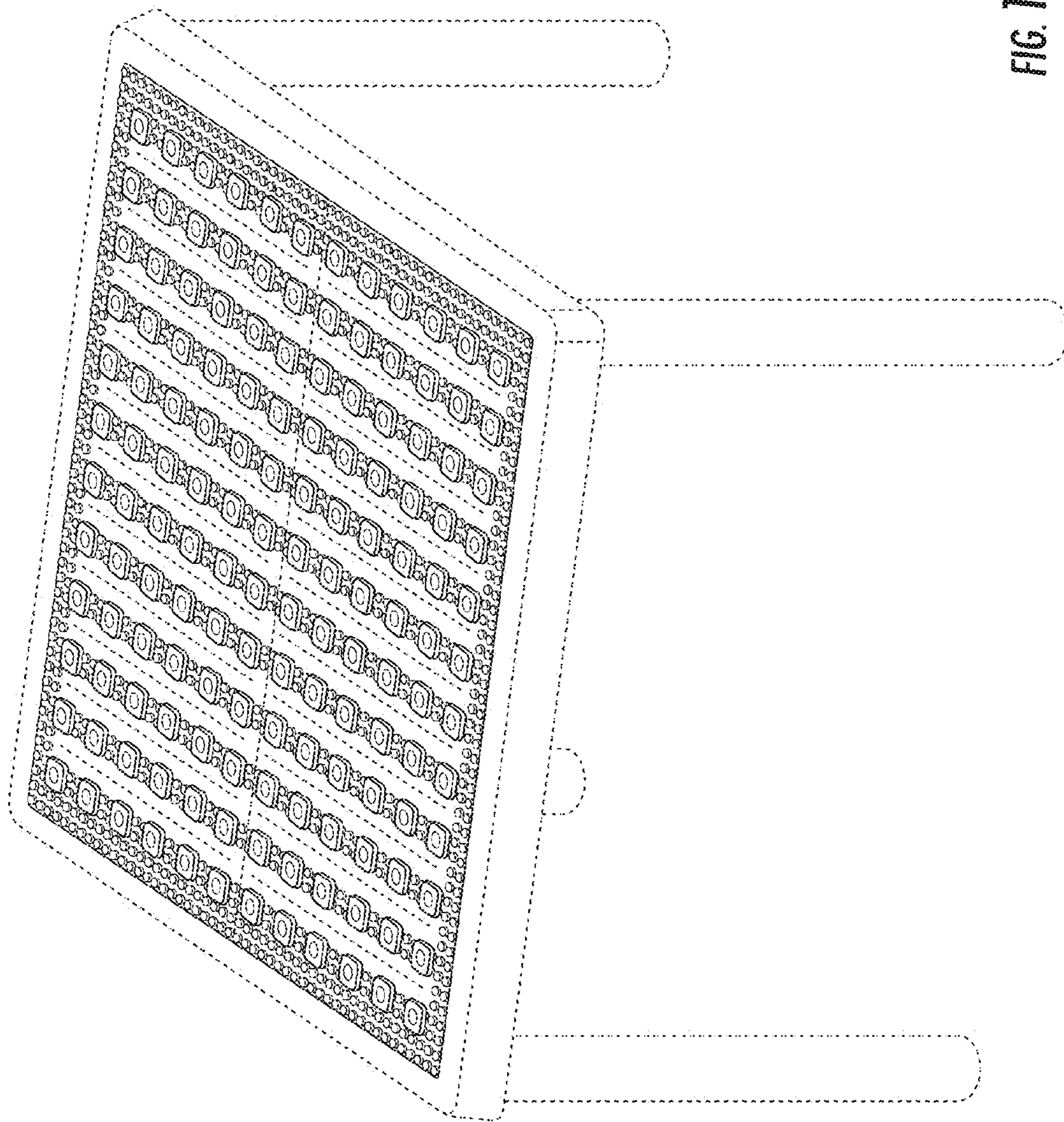


FIG. 11