



US00D704774S

(12) **United States Design Patent**
Kopco

(10) **Patent No.:** **US D704,774 S**

(45) **Date of Patent:** **** May 13, 2014**

- (54) **LABEL HOLDER**
- (71) Applicant: **James J. Kopco**, Mentor-on-the-Lake, OH (US)
- (72) Inventor: **James J. Kopco**, Mentor-on-the-Lake, OH (US)
- (73) Assignee: **Fasteners For Retail, Inc.**, Twinsburg, OH (US)
- (**) Term: **14 Years**
- (21) Appl. No.: **29/467,377**
- (22) Filed: **Sep. 18, 2013**

- D279,674 S 7/1985 Harley
- 4,903,376 A 2/1990 Rousseau
- D308,990 S 7/1990 Grossman
- D325,401 S 4/1992 Garfinkle
- 5,419,066 A 5/1995 Harnois et al.
- 5,515,632 A 5/1996 Gebka et al.
- 5,815,970 A 10/1998 Thalenfeld et al.
- 5,826,359 A 10/1998 Thalenfeld et al.
- 6,026,603 A 2/2000 Kump et al.
- D425,566 S 5/2000 Mueller et al.
- D425,939 S 5/2000 Kump et al.
- D432,177 S 10/2000 Wildrick
- 6,226,910 B1 5/2001 Ireland
- D443,311 S 6/2001 Wildrick
- D447,184 S 8/2001 Bjerke et al.
- 6,269,571 B1 8/2001 Thalenfeld
- D454,163 S 3/2002 Nagel

(Continued)

Related U.S. Application Data

- (62) Division of application No. 29/420,725, filed on May 11, 2012, now Pat. No. Des. 692,955.
- (51) **LOC (10) Cl.** **20-03**
- (52) **U.S. Cl.**
USPC **D20/43**
- (58) **Field of Classification Search**
USPC D20/10, 43, 44, 99; 40/642.02, 649, 40/658, 661, 661.01, 661.03, 661.09, 40/661.11, 745; D6/314; D25/119, 123
See application file for complete search history.

References Cited

U.S. PATENT DOCUMENTS

- D99,822 S 5/1936 Newhard
- D141,059 S 5/1945 Siegel
- 2,409,814 A * 10/1946 Vargish 40/745
- 2,434,860 A 1/1948 Oxley
- 3,320,690 A 5/1967 Forsburg
- D238,528 S * 1/1976 Crawford D6/314
- 4,295,288 A 10/1981 Westberg
- 4,384,416 A 5/1983 Kanzelberger
- D273,204 S 3/1984 Baker
- 4,496,127 A 1/1985 Nelson

OTHER PUBLICATIONS

Digital photograph of clip on label holder, Circa 2007.

(Continued)

Primary Examiner — Mary Ann Calabrese
(74) *Attorney, Agent, or Firm* — Fay Sharpe LLP

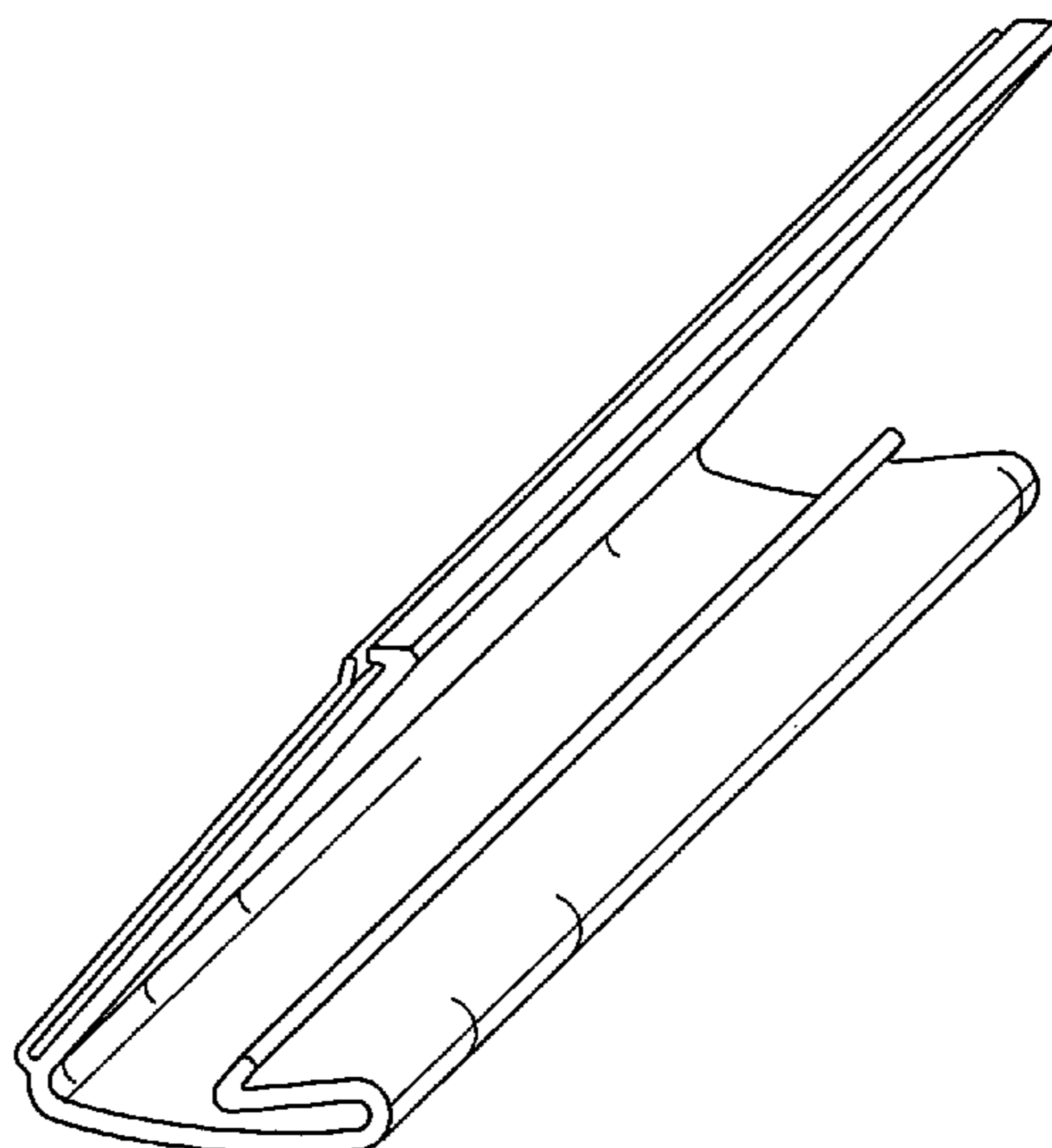
(57) **CLAIM**

The ornamental design for a label holder, as shown and described.

DESCRIPTION

FIG. 1 is a perspective view of a label holder showing my new design;
 FIG. 2 is a reduced scale right side elevational view thereof, with the left side elevational view being a mirror image thereof;
 FIG. 3 is a front elevational view thereof;
 FIG. 4 is a top plan view thereof;
 FIG. 5 is a bottom plan view thereof; and,
 FIG. 6 is a rear elevational view thereof.

1 Claim, 2 Drawing Sheets



(56)

References Cited

U.S. PATENT DOCUMENTS

D454,373 S 3/2002 Kosir
 D461,507 S 8/2002 Nagel
 6,470,613 B1 10/2002 Wildrick
 6,523,291 B2 2/2003 Nagel
 6,553,702 B1 4/2003 Bacnik
 6,568,112 B2 5/2003 Lowry et al.
 D479,278 S 9/2003 Nagel
 D480,434 S 10/2003 Brinkman et al.
 6,665,971 B2 12/2003 Lowry et al.
 6,688,567 B2 2/2004 Fast et al.
 D504,160 S 4/2005 Abramson
 D510,602 S 10/2005 Wasilko
 D513,280 S 12/2005 Kosir
 6,971,201 B2 12/2005 Brinkman et al.
 D516,633 S 3/2006 Kosir
 D531,227 S 10/2006 Mueller et al.
 D546,892 S 7/2007 Bruegmann
 7,325,348 B2 2/2008 Mueller et al.

D573,656 S 7/2008 Wamsley
 7,434,341 B2 10/2008 Brinkman et al.
 D580,498 S 11/2008 Healy et al.
 D595,782 S 7/2009 Whitfield
 7,836,621 B2 * 11/2010 Mueller et al. 40/661.03
 D640,750 S 6/2011 Bird et al.
 D646,509 S * 10/2011 Luebcke D6/491
 D692,955 S * 11/2013 Kopco D20/43
 2004/0250459 A1 12/2004 Brinkman et al.
 2005/0166437 A1 * 8/2005 Brinkman et al. 40/642.02
 2005/0166438 A1 8/2005 Mueller et al.
 2006/0086027 A1 4/2006 Brinkman et al.
 2006/0254106 A1 11/2006 Fast
 2009/0056190 A1 * 3/2009 Mueller et al. 40/661.03

OTHER PUBLICATIONS

FFR-DSI Yellow Pages 2010 Product Catalog "Renew-Refresh-Re-model with Total Retail Solutions From FFR-DSI!", Cover page and pp. 59-69.

* cited by examiner

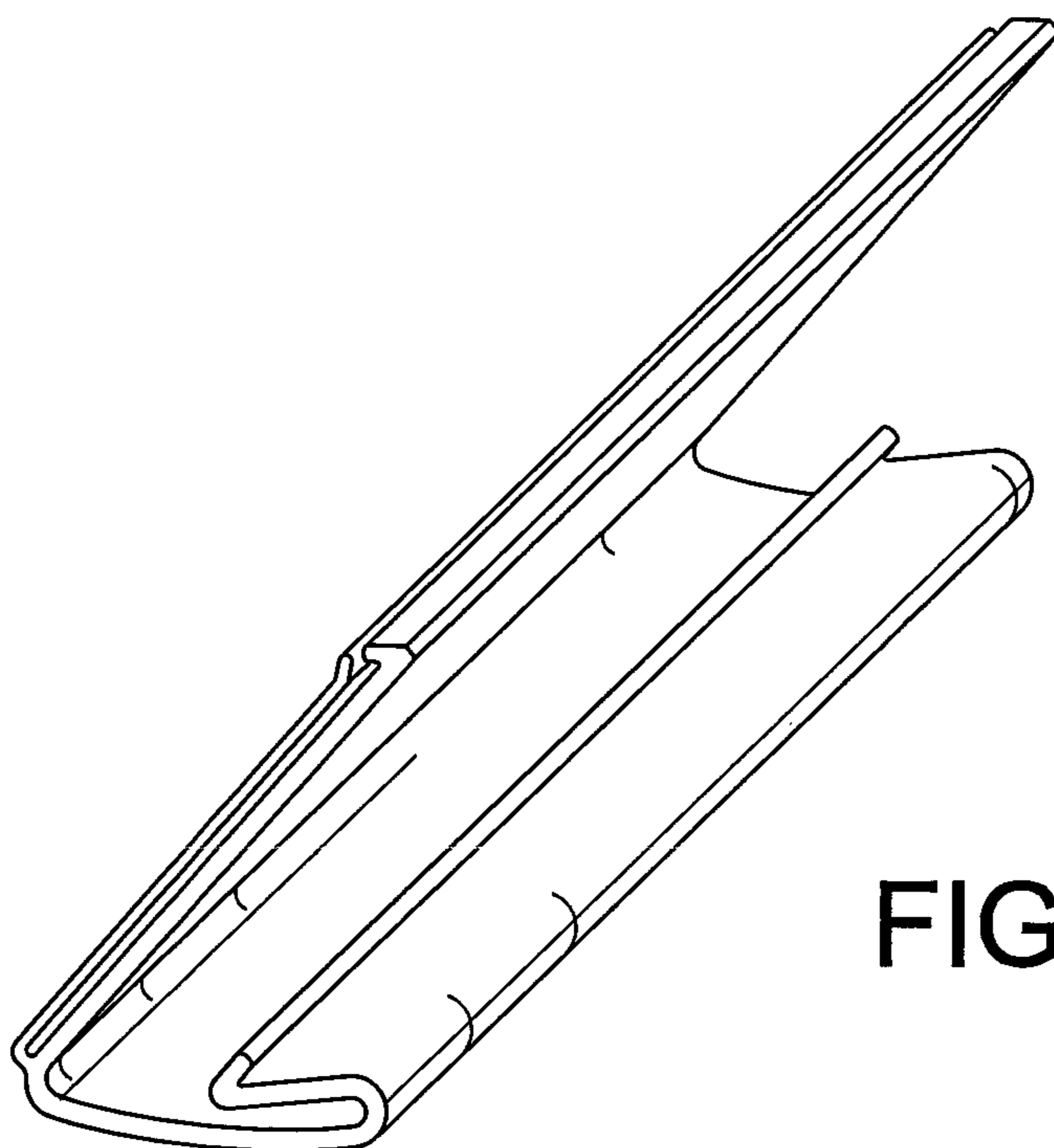
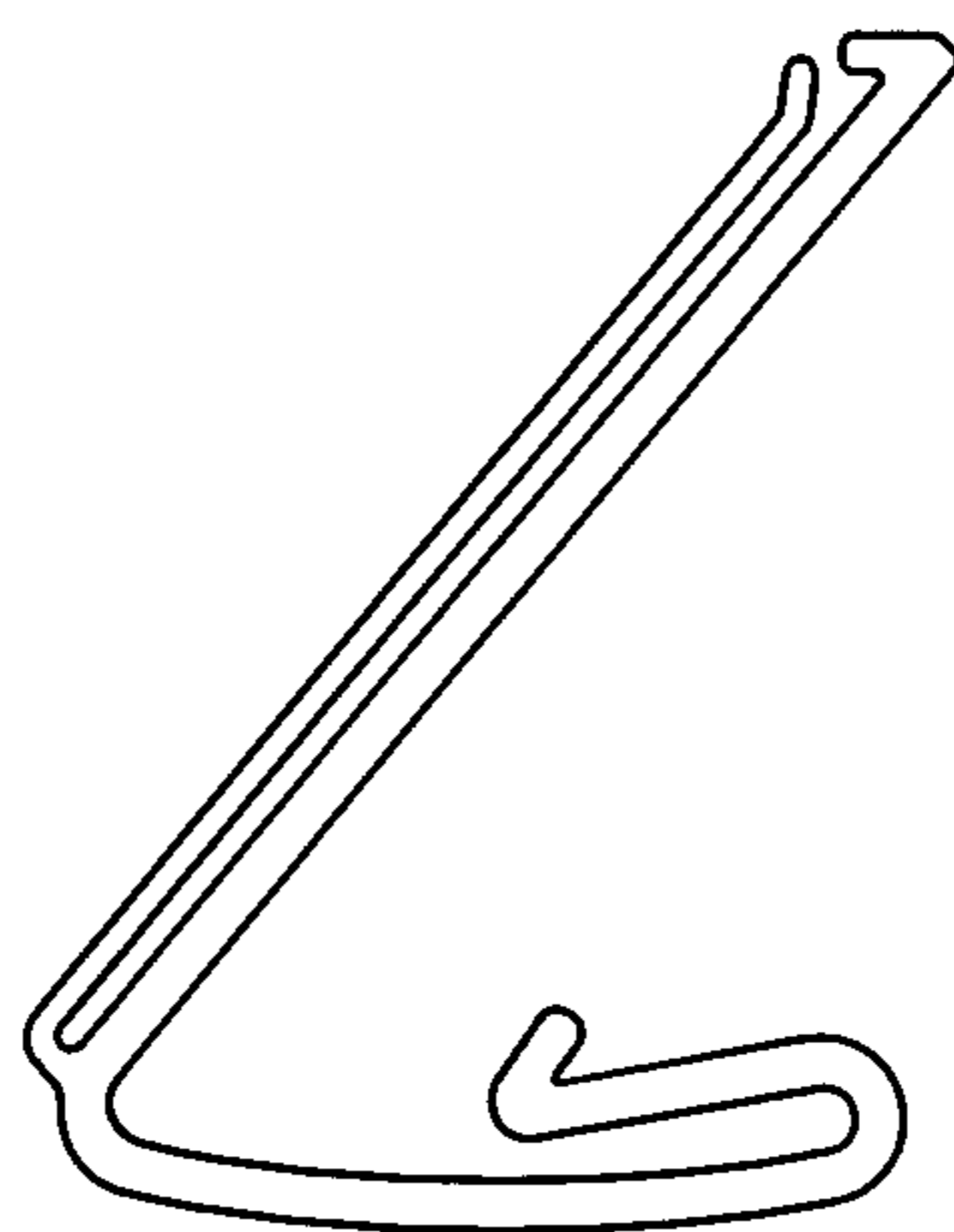


FIG. 1

FIG. 2



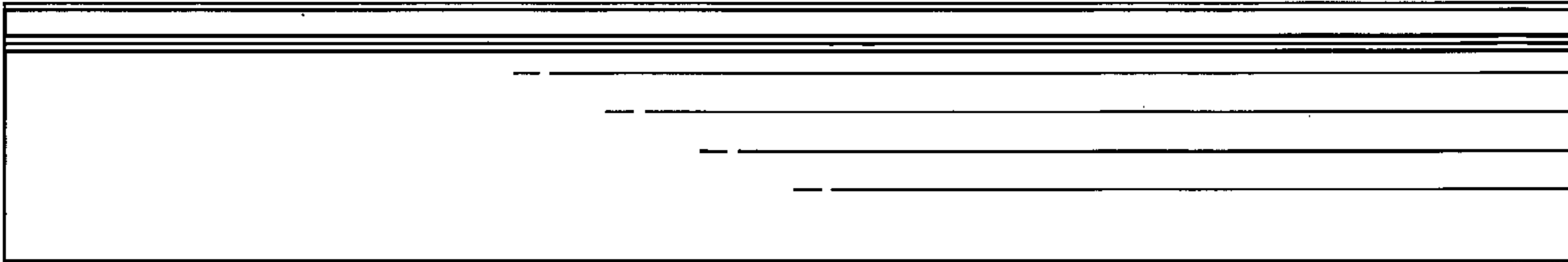


FIG. 4

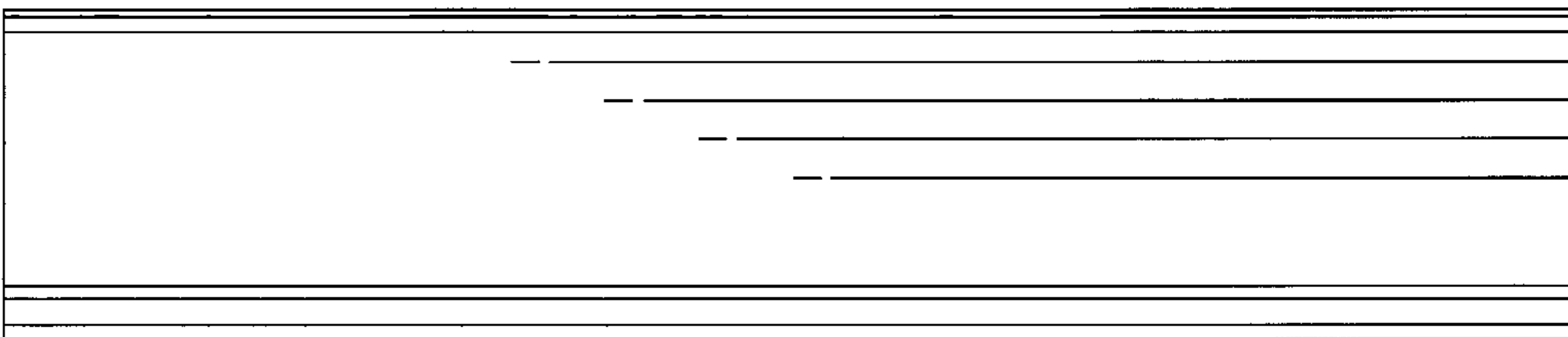


FIG. 3

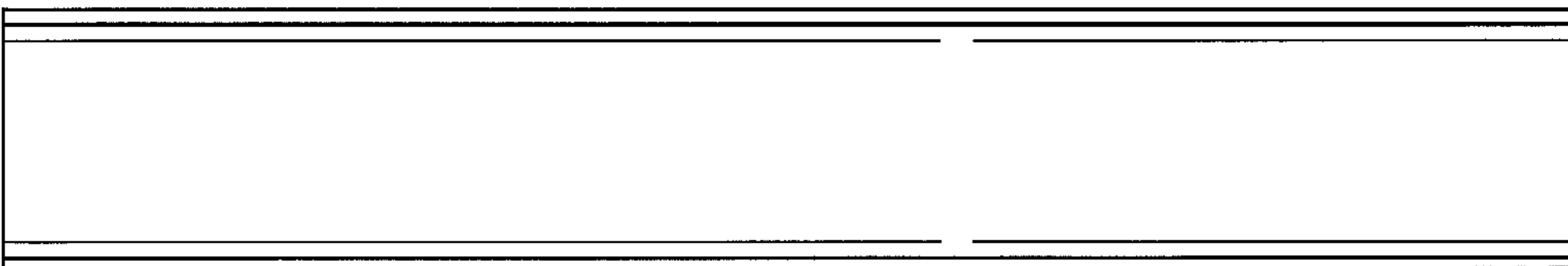


FIG. 5

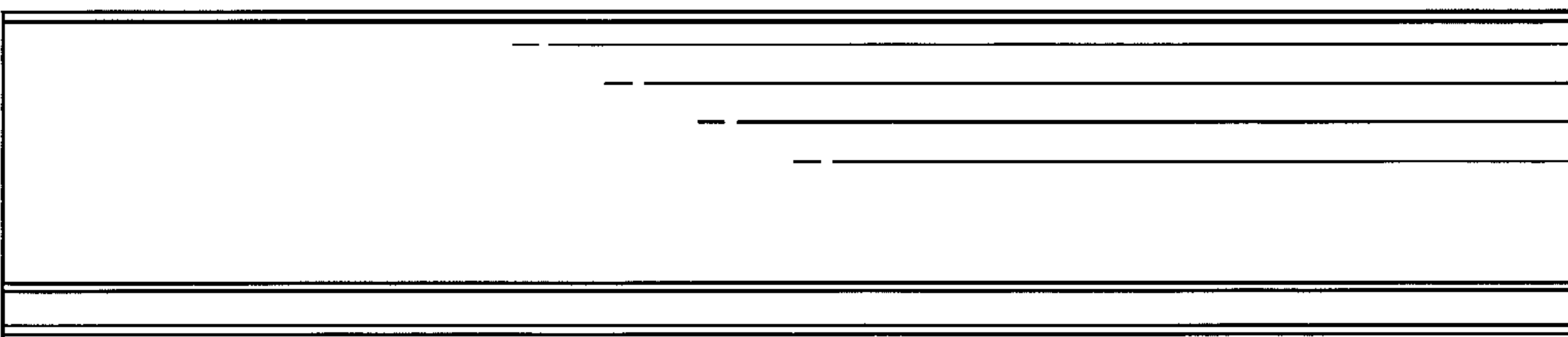


FIG. 6