



US00D704772S

(12) **United States Design Patent**
Jin

(10) **Patent No.:** **US D704,772 S**
(45) **Date of Patent:** **** May 13, 2014**

(54) **PEN**
(75) **Inventor:** **Renji Jin**, Ningbo (CN)
(73) **Assignee:** **Beifa Group Co., Ltd.**, Ningbo (CN)

D601,627 S 10/2009 Liu
D605,700 S 12/2009 Ma
D607,934 S 1/2010 Liu
D611,095 S 3/2010 Liu

(Continued)

(**) **Term:** **14 Years**
(21) **Appl. No.:** **29/428,525**
(22) **Filed:** **Jul. 31, 2012**

FOREIGN PATENT DOCUMENTS

DE DM/062860 1/2003
EM 000773403-0010 A1 9/2007

Primary Examiner — Elizabeth Albert

(74) *Attorney, Agent, or Firm* — Christensen O'Connor Johnson Kindness PLLC

(30) **Foreign Application Priority Data**

Jan. 31, 2012 (CN) 2012 3 0019215

(51) **LOC (10) Cl.** **19-06**

(52) **U.S. Cl.**
USPC **D19/169**; D19/924

(58) **Field of Classification Search**
USPC D14/411; D19/35, 36, 41–51, 53–58;
24/11 F, 11 P, 11 R; 401/52, 99–109,
401/192, 195, 196

See application file for complete search history.

(57) **CLAIM**

The ornamental design for a pen, as shown and described.

DESCRIPTION

FIG. 1 is an upper front left perspective view of a pen showing my new design;

FIG. 2 is a front elevation view thereof;

FIG. 3 is a rear elevation view thereof;

FIG. 4 is a right side elevation view thereof, with the left side elevation view being a mirror image of the right side elevation view;

FIG. 5 is an enlarged top plan view thereof;

FIG. 6 is an enlarged bottom plan view thereof;

FIG. 7 is an upper front left perspective view of the pen cap shown separate of the pen in FIG. 1 for convenience of illustration;

FIG. 8 is a front elevation view thereof;

FIG. 9 is a rear elevation view thereof;

FIG. 10 is a right side elevation view thereof, with the left side elevation view being a mirror image of the right side elevation view;

FIG. 11 is an enlarged top plan view thereof; and,

FIG. 12 is an enlarged bottom plan view thereof.

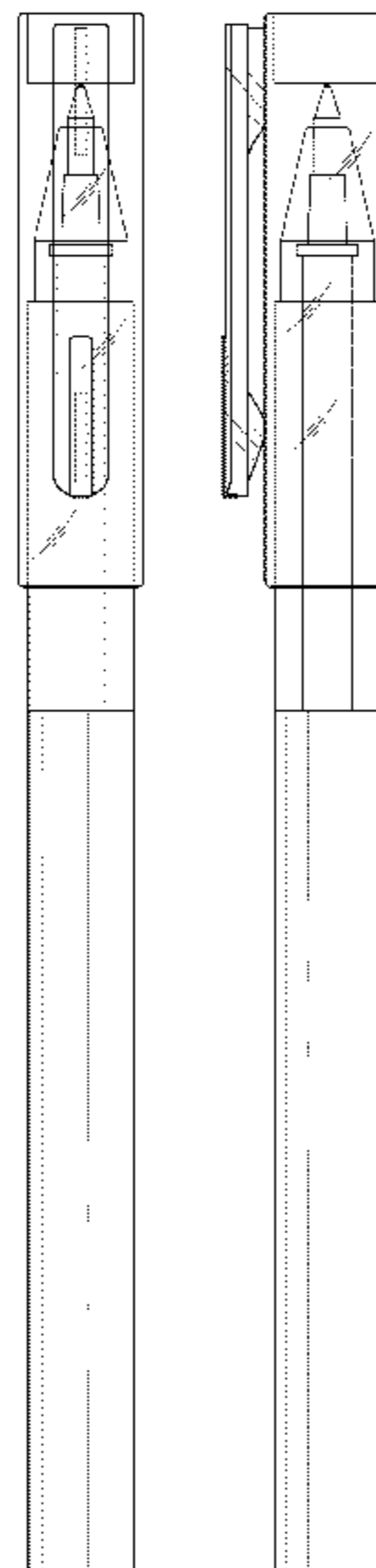
The broken lines that define the bounds of the claimed design in FIG. 12 form no part thereof.

(56) **References Cited**

U.S. PATENT DOCUMENTS

D258,217 S * 2/1981 Sakaoka D19/49
D259,792 S * 7/1981 Itoh et al. D19/51
D265,740 S * 8/1982 Pook D19/36
D266,769 S * 11/1982 Camps D19/51
D271,212 S * 11/1983 Itoh D19/48
D277,393 S * 1/1985 Oyabu D19/51
D288,335 S * 2/1987 Renault D19/49
D294,599 S * 3/1988 Funahashi et al. D19/48
D327,911 S * 7/1992 Poisson D19/49
D410,029 S 5/1999 Melnick
D423,049 S 4/2000 Kohlhase
D434,442 S 11/2000 Nohara
D458,305 S * 6/2002 Iwase et al. D19/43
D467,970 S * 12/2002 Pellissa Beneyto D19/43
D478,350 S 8/2003 Furlong
D483,067 S 12/2003 Takanashi

1 Claim, 6 Drawing Sheets



(56)

References Cited

U.S. PATENT DOCUMENTS

D611,096 S 3/2010 Liu
D611,097 S 3/2010 Liu
D612,424 S * 3/2010 Suero et al. D19/41
D628,636 S * 12/2010 Wang D19/48

D638,061 S 5/2011 Wang
D638,062 S 5/2011 Wang
D662,986 S 7/2012 Liu
D668,293 S * 10/2012 Chen D19/49
D682,353 S * 5/2013 Kermoal et al. D19/48

* cited by examiner

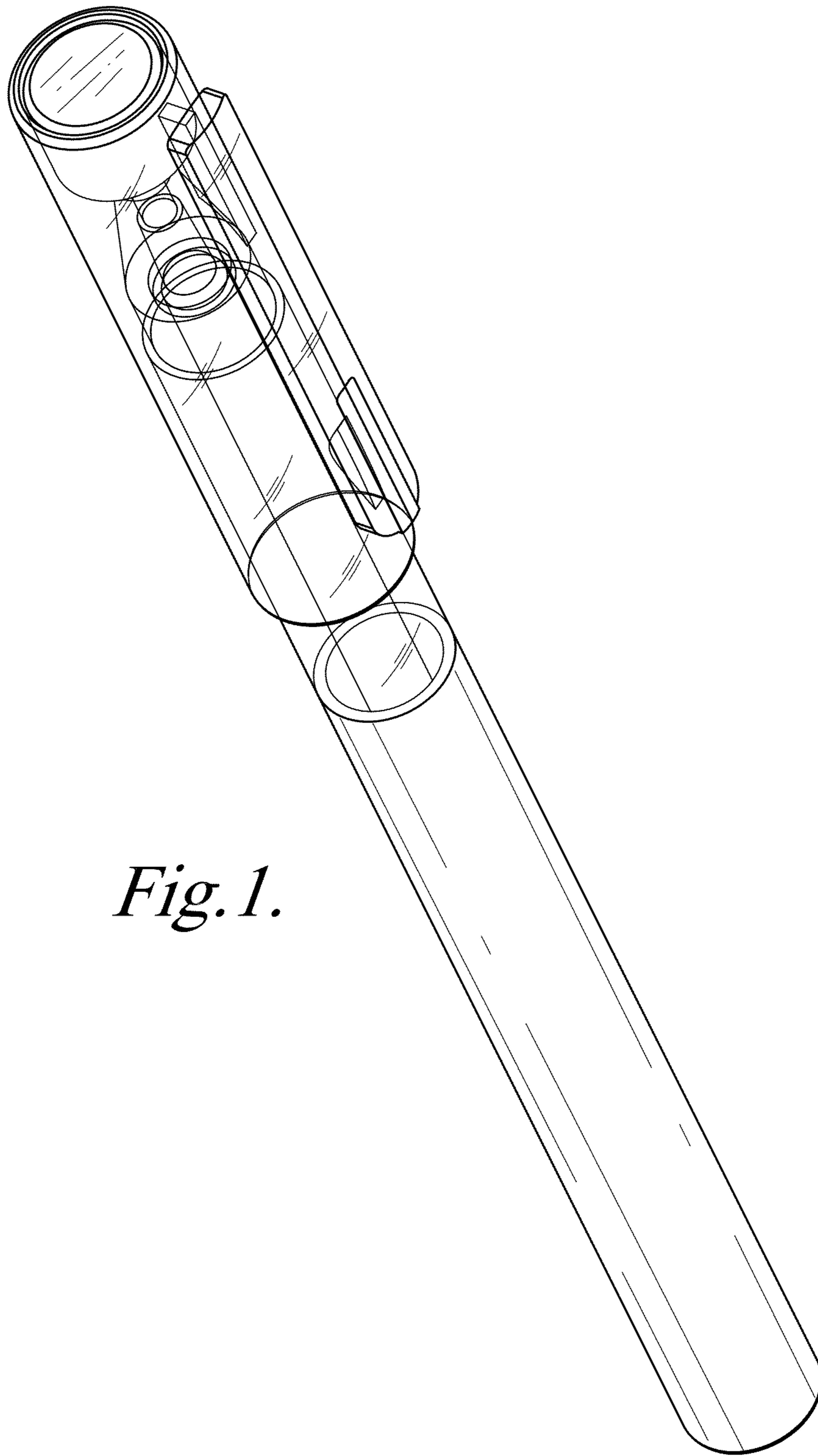


Fig. 1.

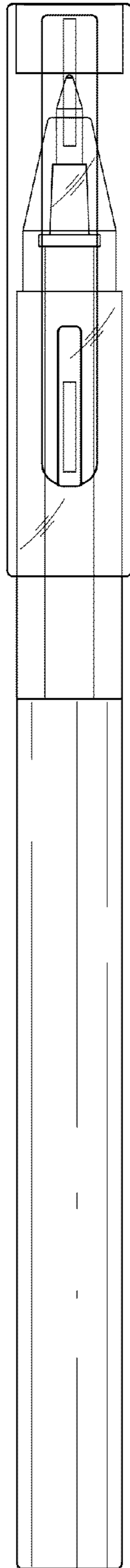


Fig. 2.

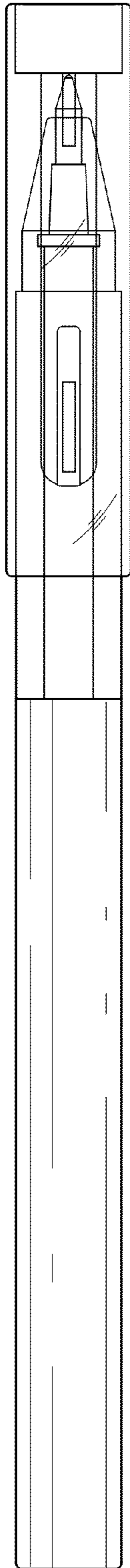


Fig. 3.

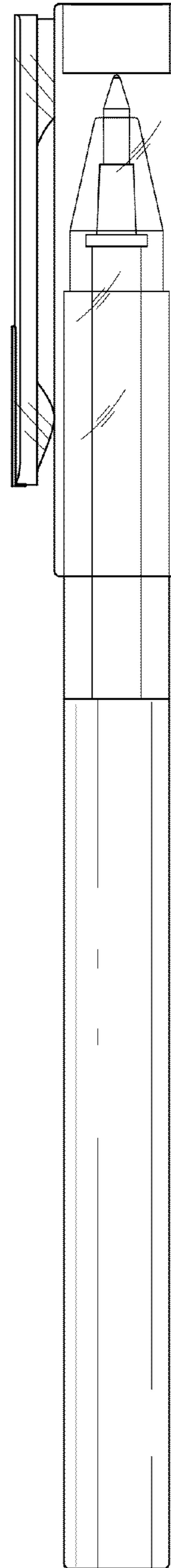


Fig. 4.

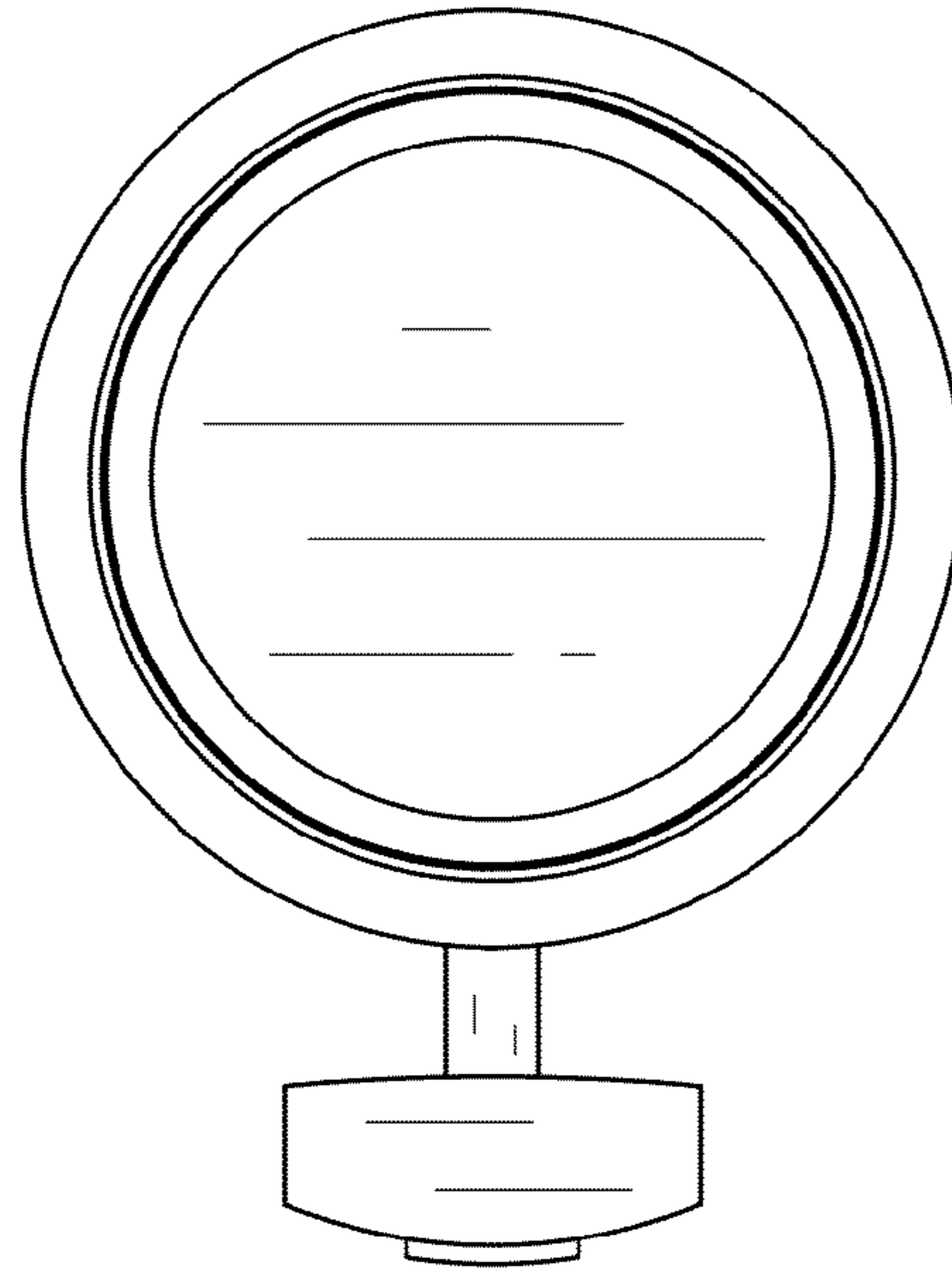


Fig. 5.

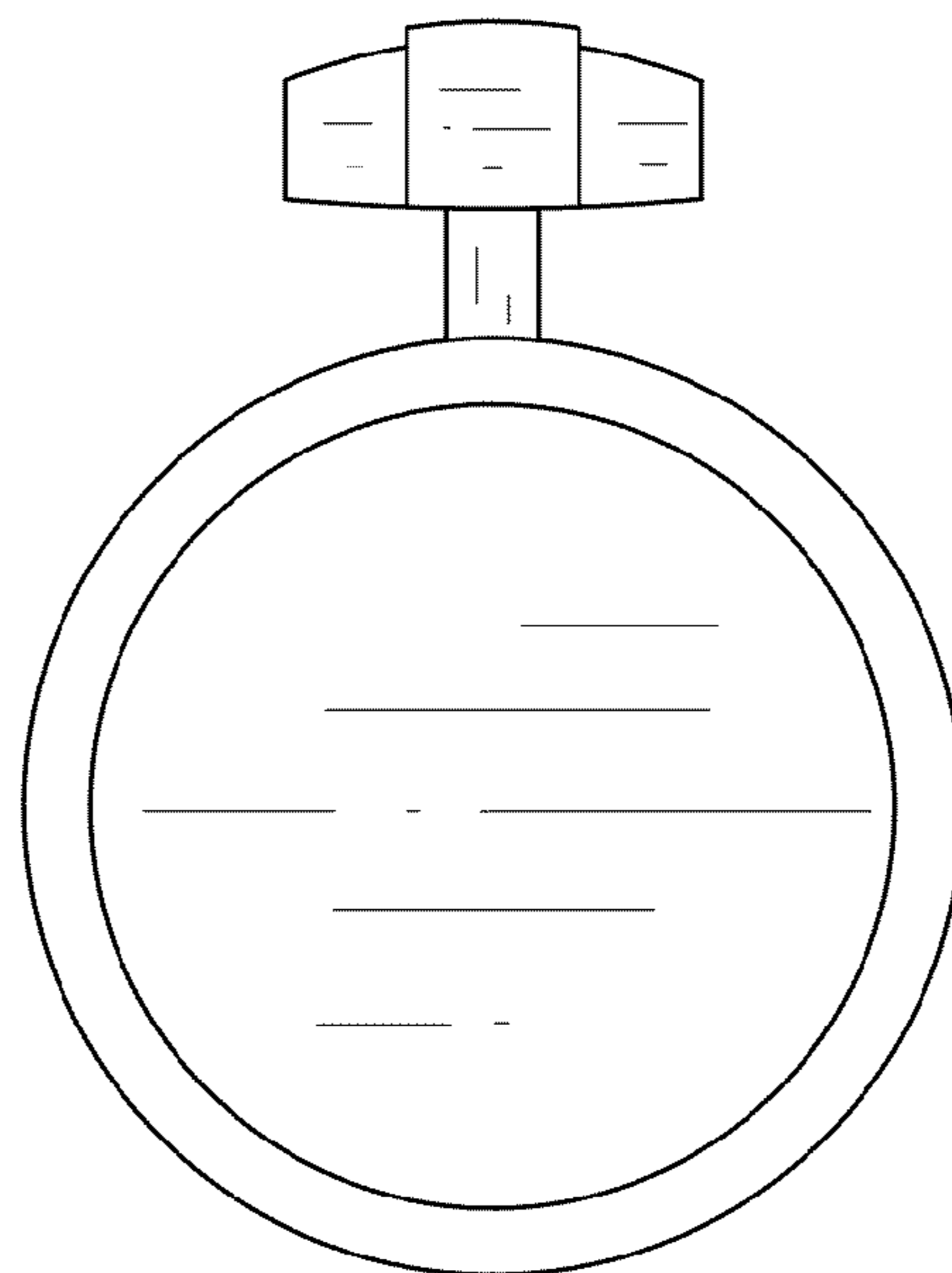


Fig. 6.

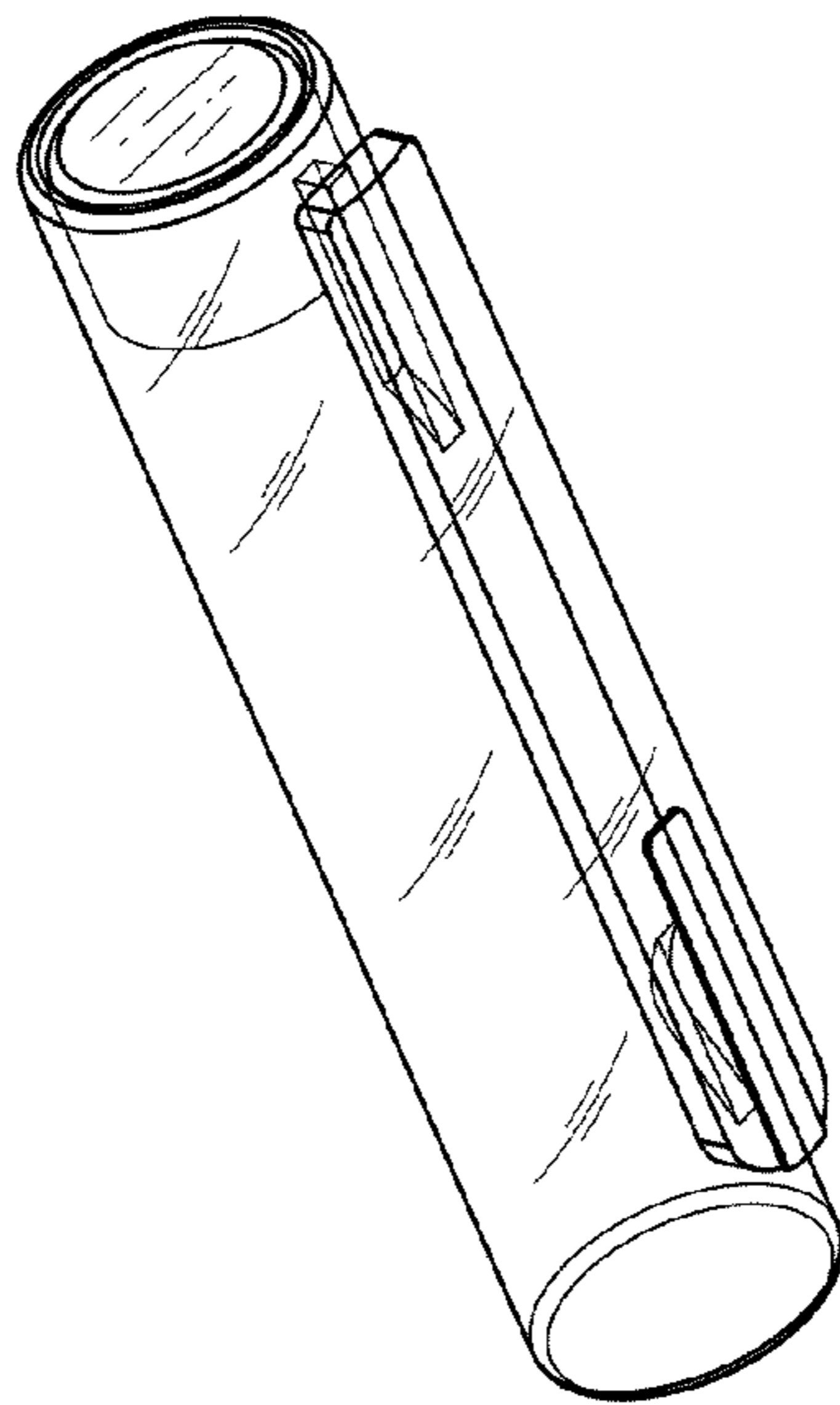


Fig. 7.

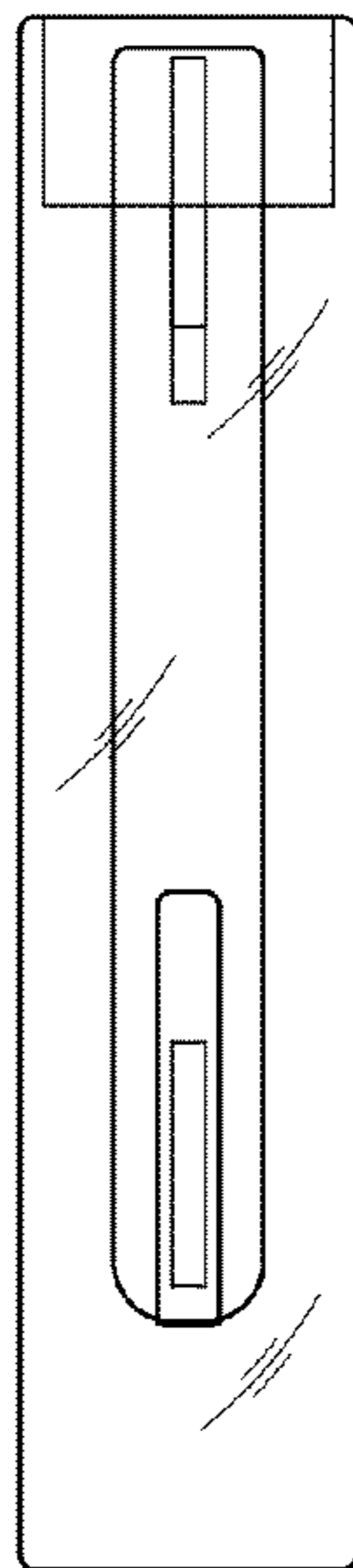


Fig. 8.

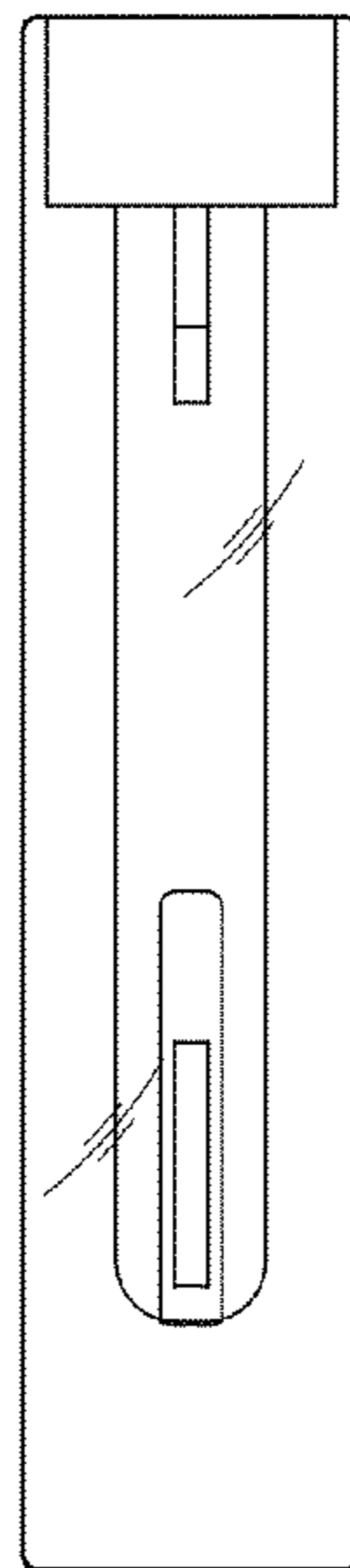


Fig. 9.

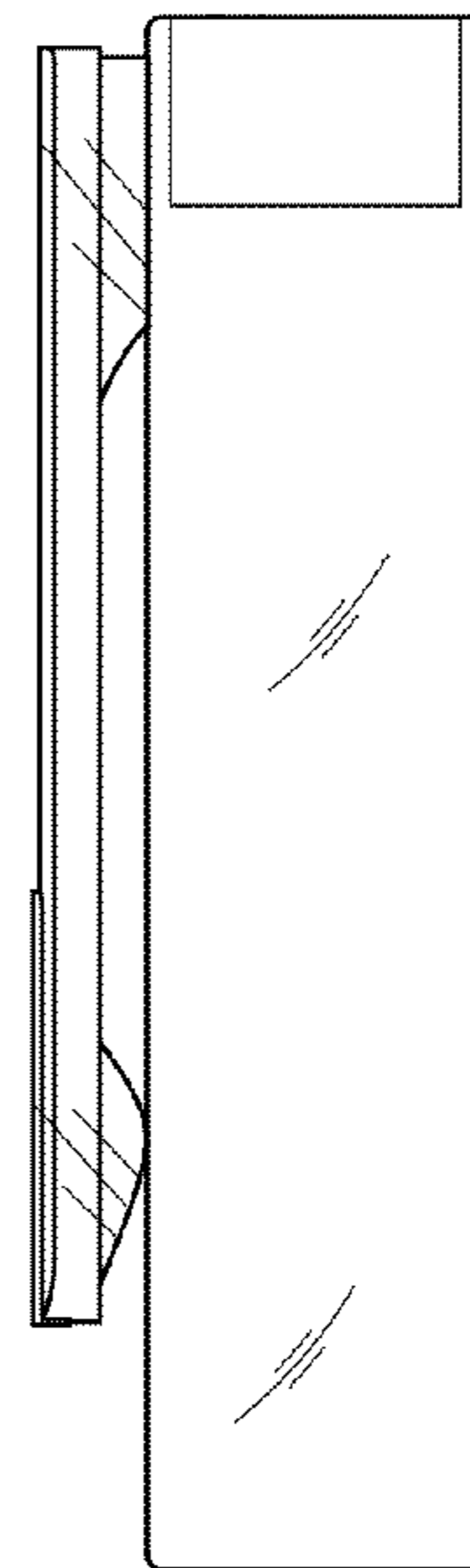


Fig. 10.

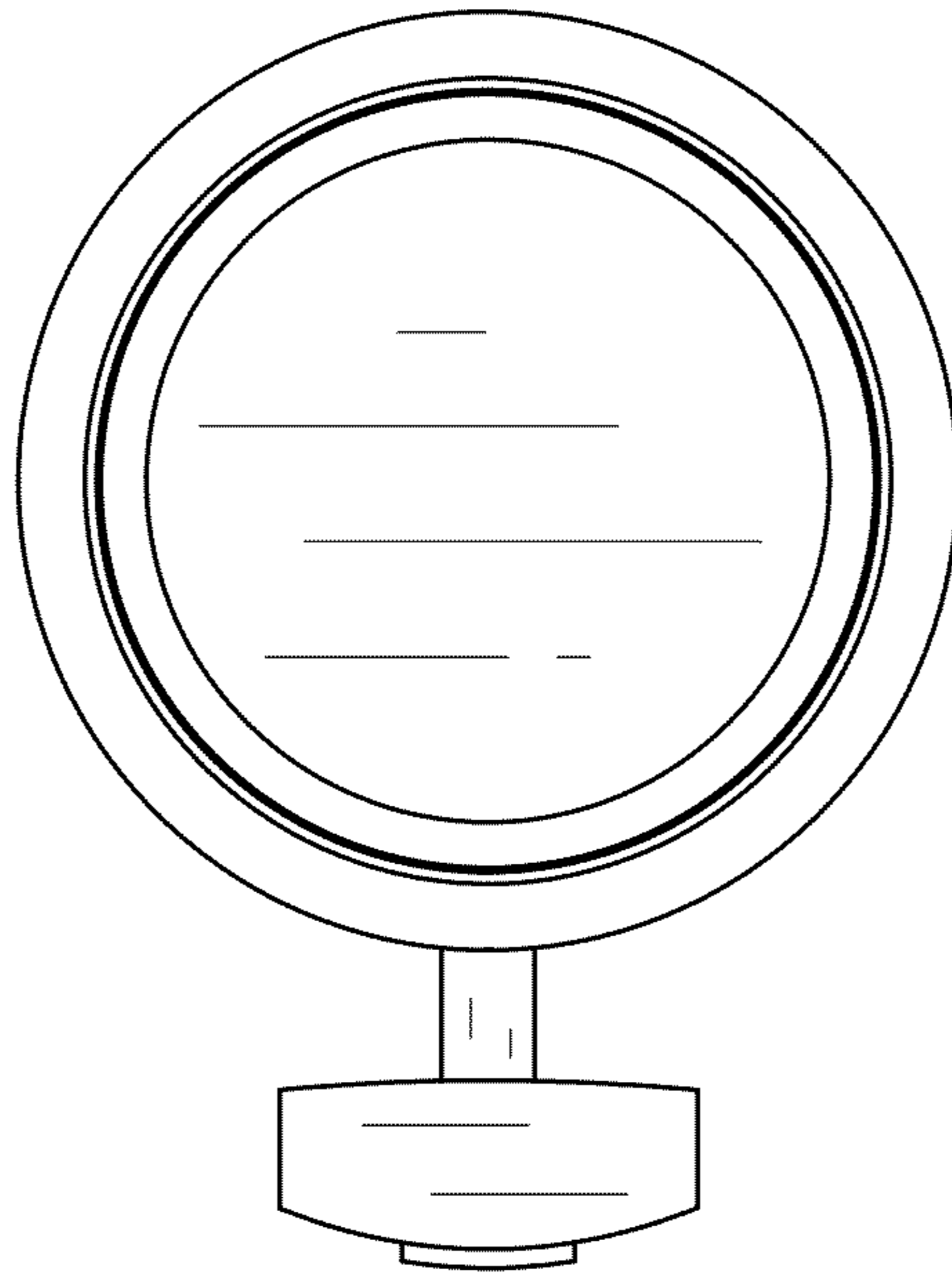


Fig. 11.

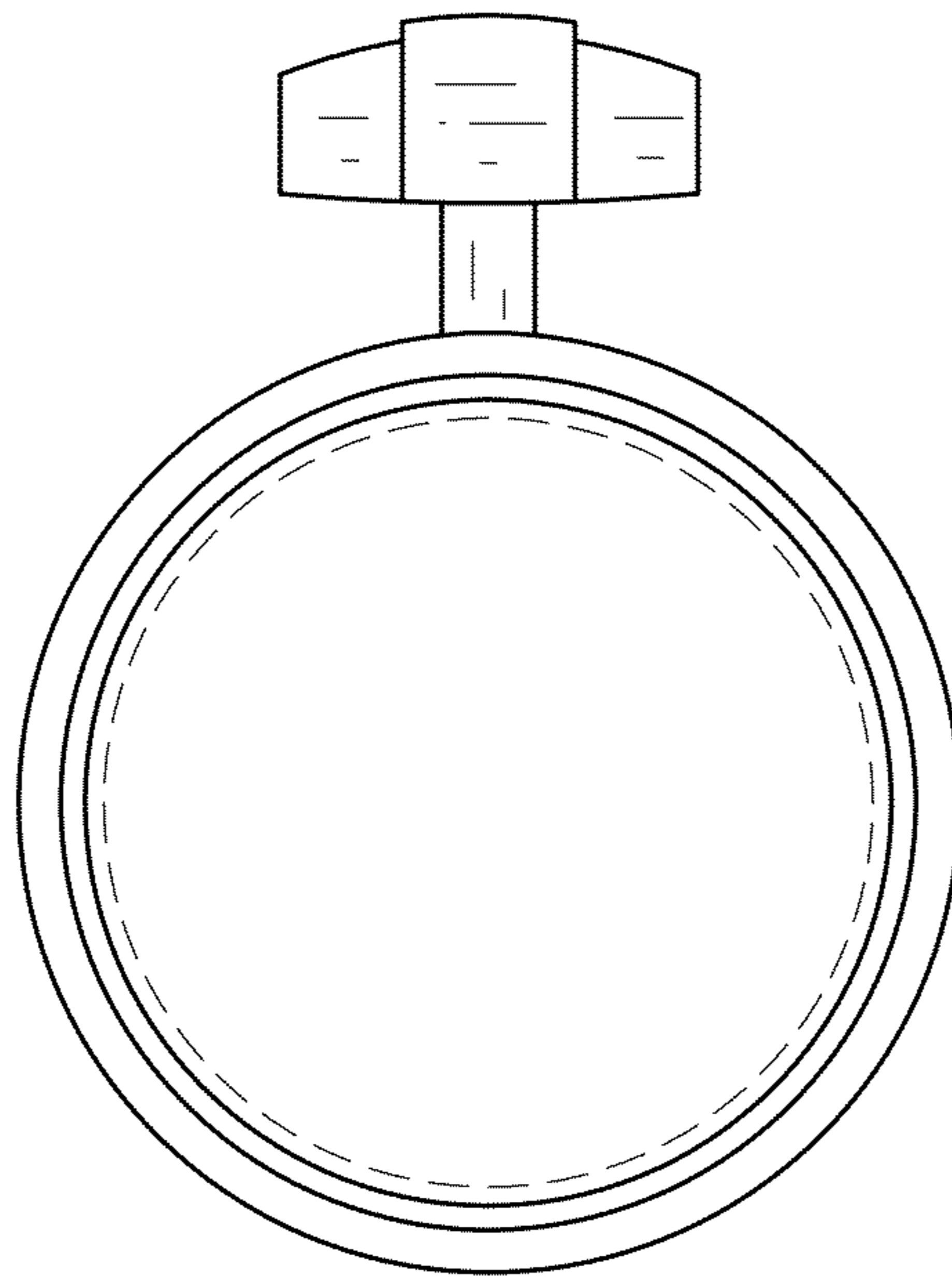


Fig. 12.