



US00D704770S

(12) **United States Design Patent**
Ke

(10) **Patent No.:** **US D704,770 S**

(45) **Date of Patent:** **** May 13, 2014**

(54) **PEN**

FOREIGN PATENT DOCUMENTS

(71) Applicant: **Beifa Group Co., Ltd.**, Zhejiang (CN)

EM 000250220-0009 A1 2/2005
EM 000784665-0003 A1 9/2007

(72) Inventor: **Chunmiao Ke**, Ningbo (CN)

(Continued)

(73) Assignee: **Beifa Group Co., Ltd.**, Ningbo (CN)

OTHER PUBLICATIONS

(**) Term: **14 Years**

Li, B., "Pen," U.S. Appl. No. 29/423,171, filed May 29, 2012.

(21) Appl. No.: **29/439,545**

(Continued)

(22) Filed: **Dec. 12, 2012**

Primary Examiner — Elizabeth Albert

(30) **Foreign Application Priority Data**

(74) *Attorney, Agent, or Firm* — Christensen O'Connor Johnson Kindness PLLC

Jun. 19, 2012 (CN) 2012 3 0261000

(51) **LOC (10) Cl.** **19-06**

(52) **U.S. Cl.**
USPC **D19/166**

(58) **Field of Classification Search**
USPC D14/411; D19/35, 36, 41–51, 53–58;
24/11 R, 11 F, 11 P; 401/52, 99–109,
401/192, 195, 196
See application file for complete search history.

(57) **CLAIM**

The ornamental design for a pen, as shown and described.

DESCRIPTION

(56) **References Cited**

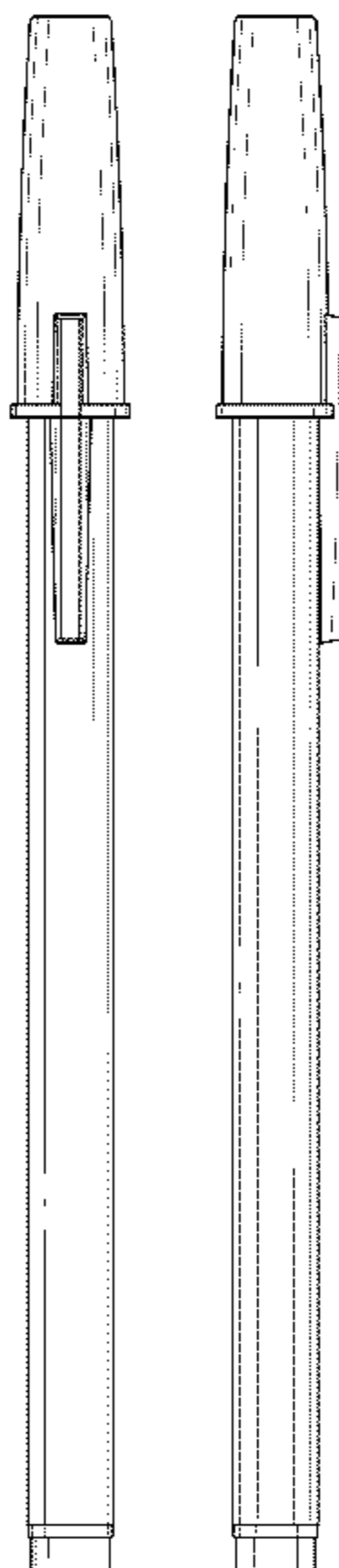
U.S. PATENT DOCUMENTS

D206,735 S * 1/1967 Levy D19/57
D221,033 S * 6/1971 Wakai D19/43
D284,676 S * 7/1986 Malm D19/51
D328,311 S * 7/1992 Nitta D19/49
5,174,672 A * 12/1992 Townsend 401/6
D332,963 S 2/1993 Anavil
5,230,578 A * 7/1993 Fuhrmann et al. 401/202
D340,069 S * 10/1993 Garry D19/57
D366,669 S 1/1996 McCartney
D368,738 S 4/1996 Osada et al.
D374,460 S * 10/1996 Young D19/48

FIG. 1 is a front perspective view of a pen showing my new design;
FIG. 2 is a front elevation view thereof;
FIG. 3 is a rear elevation view thereof;
FIG. 4 is a left side elevation view thereof, with the right side elevation view being a mirror image of the left side elevation view;
FIG. 5 is an enlarged top plan view thereof;
FIG. 6 is an enlarged bottom plan view thereof;
FIG. 7 is a lower front perspective view of the pen shown in FIG. 1, shown without the cap for the convenience of illustration;
FIG. 8 is a front elevation view thereof, with the rear, right side, and left side elevation views being a mirror image of the front elevation view;
FIG. 9 is an enlarged top plan view thereof; and
FIG. 10 is an enlarged bottom plan view thereof.
The broken lines shown in FIGS. 5, 6, 7, and 10 illustrate environmental subject matter and form no part of the claimed design.

(Continued)

1 Claim, 5 Drawing Sheets



(56)

References Cited

U.S. PATENT DOCUMENTS

D375,323 S * 11/1996 Young D19/49
 D377,194 S * 1/1997 Young D19/48
 5,599,127 A * 2/1997 Fuhrmann et al. 401/202
 D379,372 S * 5/1997 Young D19/49
 D383,780 S * 9/1997 Young D19/49
 D388,825 S 1/1998 Kouda
 D391,153 S * 2/1998 Poisson et al. D19/48
 D394,673 S * 5/1998 Moorthy et al. D19/49
 D401,624 S 11/1998 Sakuno
 D402,312 S * 12/1998 Chevalier et al. D19/57
 D408,057 S 4/1999 Izushima
 D417,891 S 12/1999 Izushima
 D418,163 S 12/1999 Rosen
 D445,130 S * 7/2001 Ginelli D19/36
 D453,187 S 1/2002 Keda
 D475,405 S 6/2003 Cetera
 D481,070 S 10/2003 Willat
 D507,599 S 7/2005 Qiu
 D508,717 S 8/2005 Anand
 D510,386 S 10/2005 Briggl
 D525,302 S 7/2006 Togawa
 D530,745 S * 10/2006 Kent et al. D19/43
 D530,748 S * 10/2006 Kent et al. D19/57
 D545,900 S 7/2007 Gerules
 D546,386 S * 7/2007 Qiu D19/43
 D546,387 S * 7/2007 Qiu D19/43
 D546,882 S 7/2007 Qiu
 D547,802 S * 7/2007 Jeon D19/43
 D549,775 S * 8/2007 Kent et al. D19/48
 D551,707 S 9/2007 Neuenschwander
 D553,679 S 10/2007 Tien
 D557,744 S 12/2007 Lecce
 D558,268 S 12/2007 Siegel
 D559,318 S 1/2008 Qiu
 D562,397 S 2/2008 Qiu
 D566,764 S 4/2008 Kent
 D568,936 S 5/2008 Qiu

D586,853 S * 2/2009 Tan D19/49
 D601,197 S 9/2009 Zhang
 D603,899 S 11/2009 Suero, Jr.
 D609,744 S 2/2010 Rathod
 D612,426 S * 3/2010 Suero et al. D19/41
 D647,961 S * 11/2011 Zhang D19/43
 D648,386 S * 11/2011 Zhang D19/43
 D651,240 S 12/2011 Liang
 D655,337 S * 3/2012 Zhang D19/45
 D661,736 S * 6/2012 Zhang D19/43
 D661,737 S * 6/2012 Zhang D19/49
 D662,977 S * 7/2012 Liang D19/43
 D662,980 S * 7/2012 Jiang D19/43
 D662,981 S * 7/2012 Xie D19/43
 D666,672 S 9/2012 Zhang
 D667,875 S * 9/2012 Liang D19/43
 D667,880 S 9/2012 Zhang
 D668,292 S * 10/2012 Chen D19/49
 D672,808 S * 12/2012 Liang et al. D19/43
 D672,809 S * 12/2012 Jiang et al. D19/43
 D685,425 S * 7/2013 Zhang D19/49
 D685,845 S * 7/2013 Zhang D19/43
 D689,931 S * 9/2013 Jiang D19/166
 D690,364 S * 9/2013 Zhang D19/195
 D693,875 S * 11/2013 Jiang D19/163
 D693,876 S * 11/2013 Jiang D19/163
 D694,331 S * 11/2013 Zhang D19/195

FOREIGN PATENT DOCUMENTS

EM 000825286-0001 A1 12/2007
 EM 000845060-0006 A1 1/2008
 EM 000992573-0002 A1 10/2008

OTHER PUBLICATIONS

Li, B., "Pen," U.S. Appl. No. 29/426,208, filed Jul. 2, 2012.
 Li, B., "Pen," U.S. Appl. No. 29/438,461, filed Nov. 29, 2012.

* cited by examiner

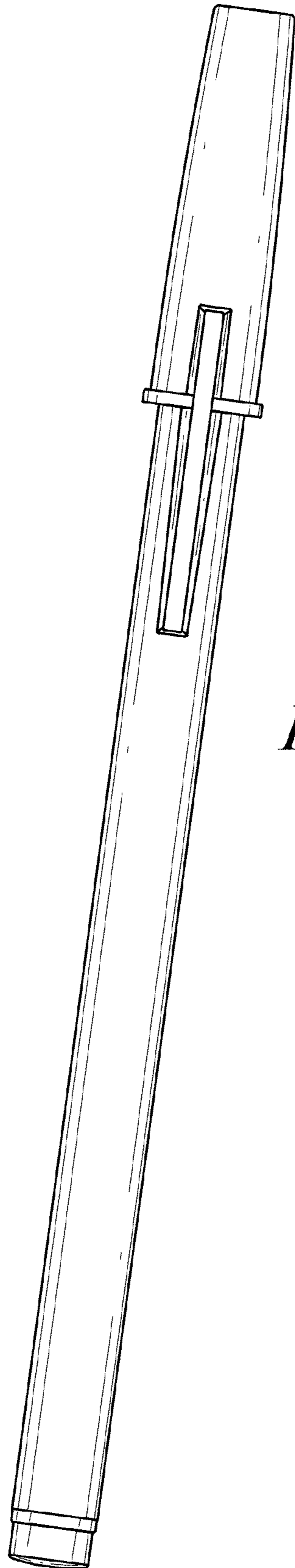


Fig. 1.

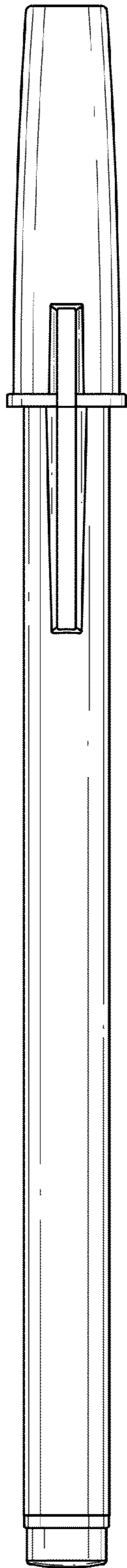


Fig.2.

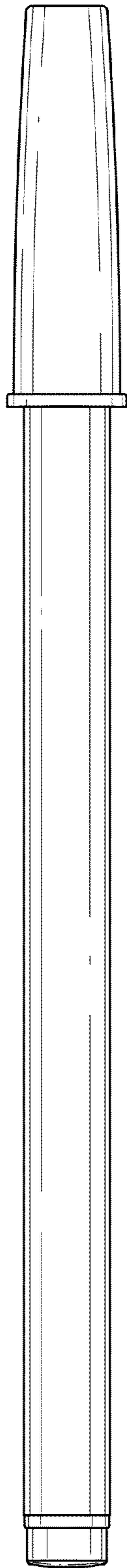


Fig.3.

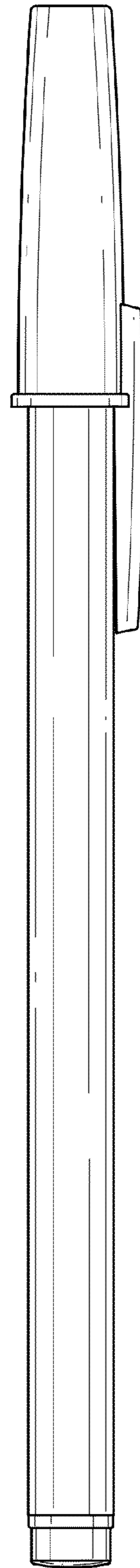


Fig.4.

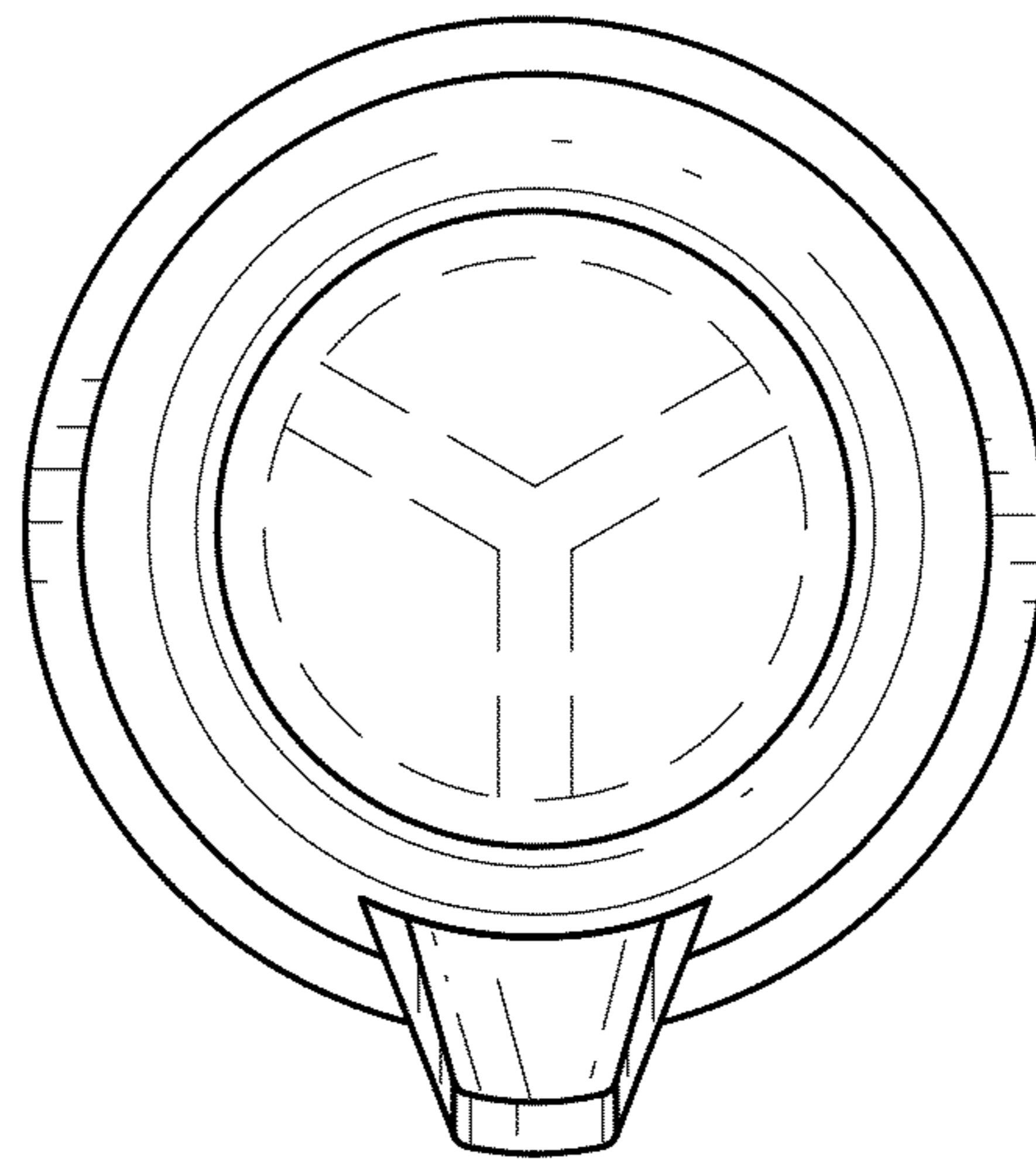


Fig. 5.

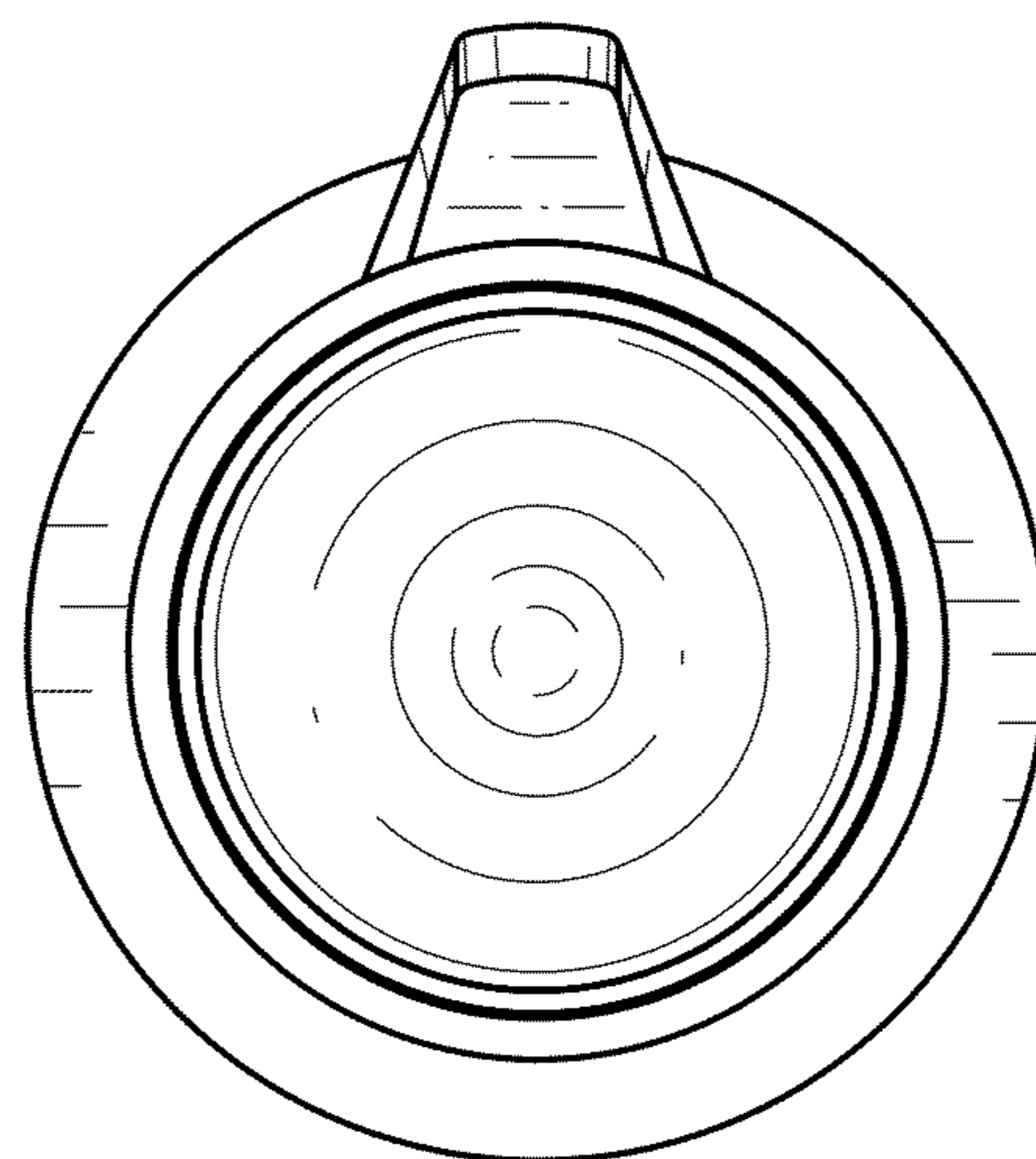


Fig. 6.

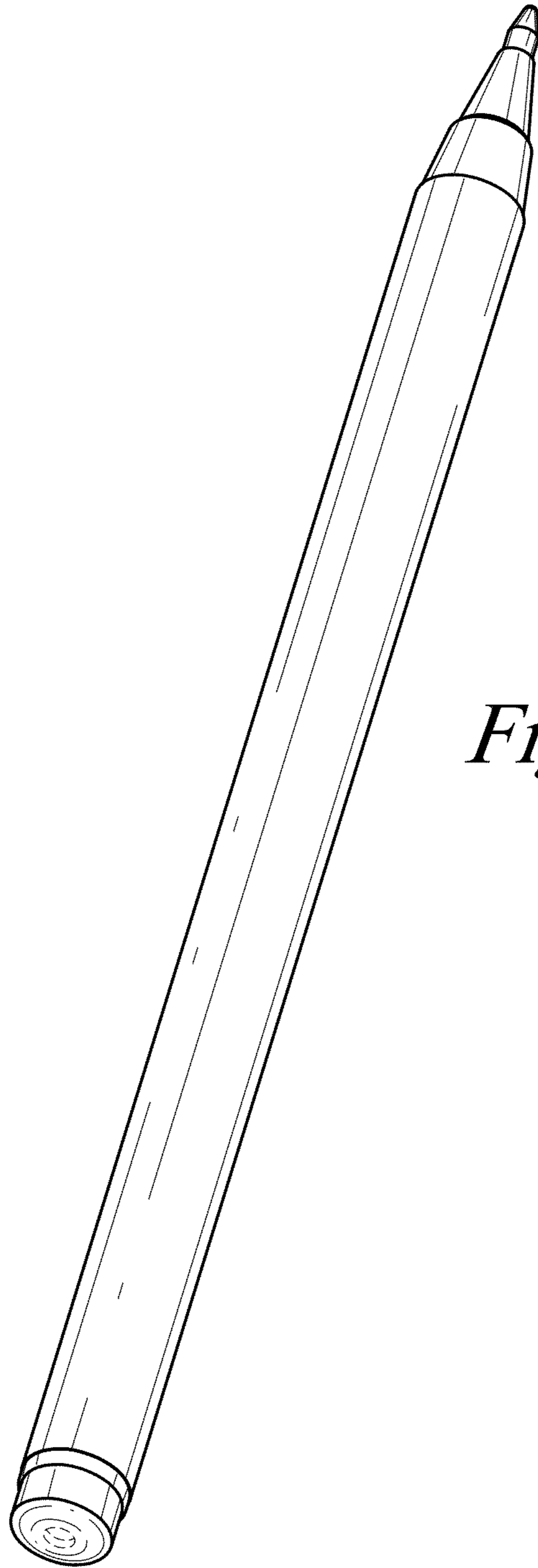


Fig. 7.

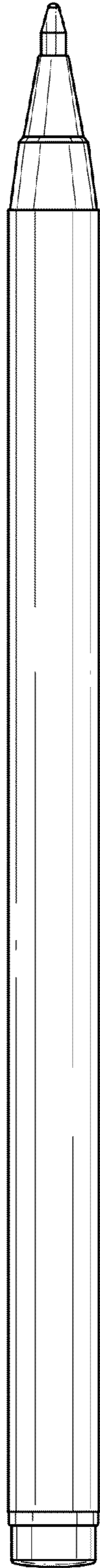


Fig. 8.

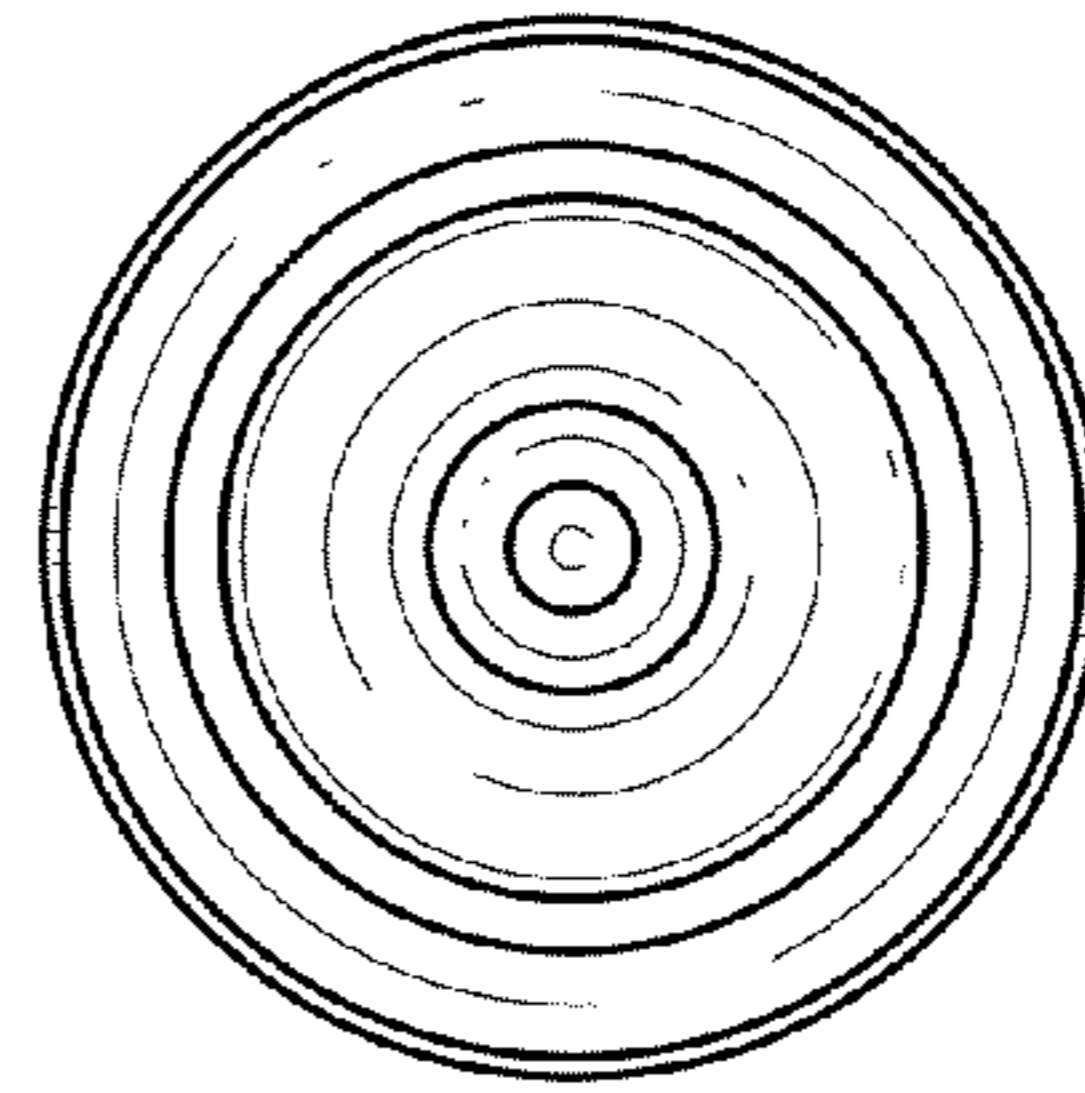


Fig. 9.

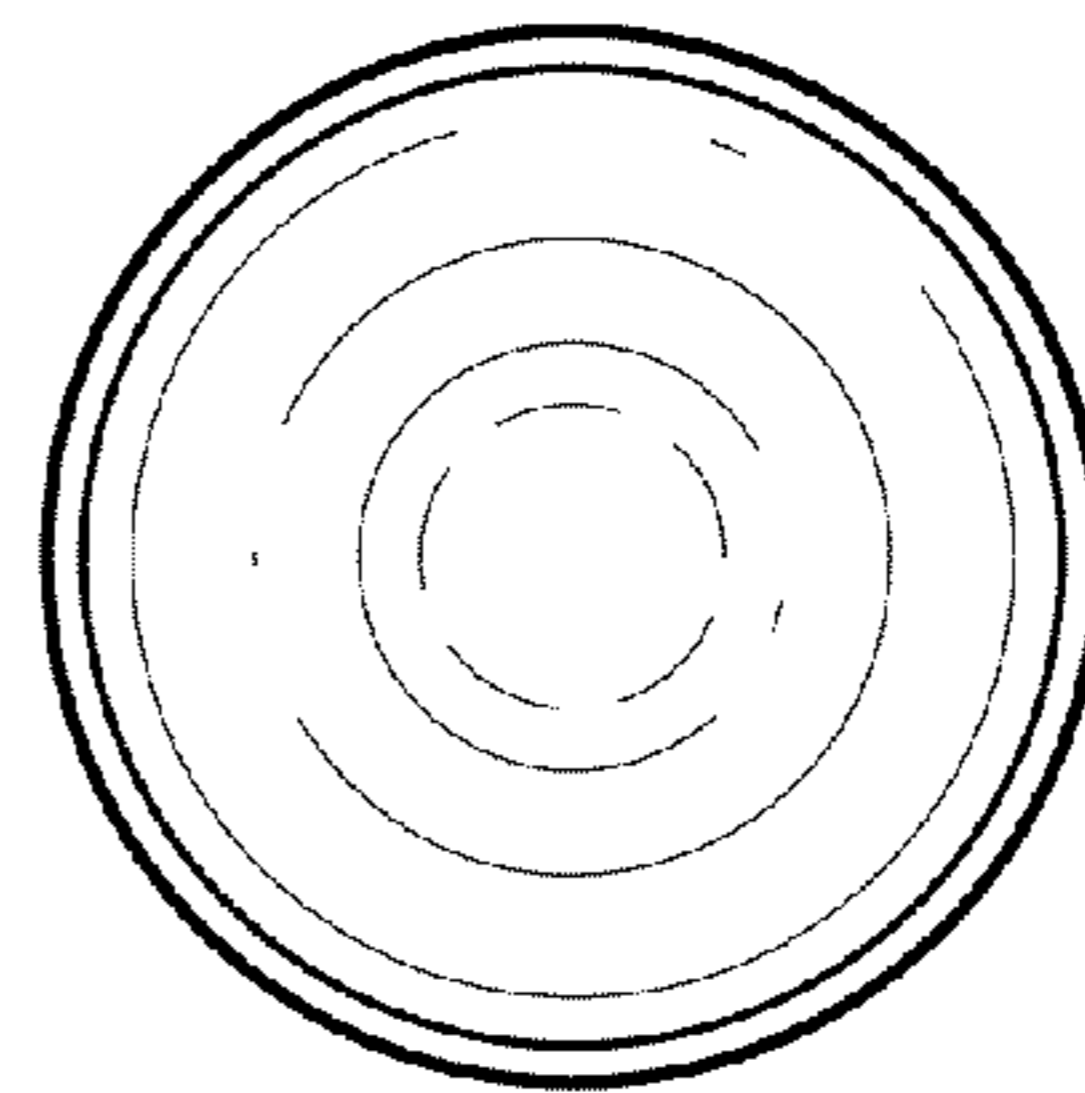


Fig. 10.