



US00D704769S

(12) **United States Design Patent**
Penington et al.

(10) **Patent No.:** **US D704,769 S**
(45) **Date of Patent:** **** May 13, 2014**

(54) **PEN HOLDER**

(71) Applicant: **MedInfo, Inc.**, Denver, CO (US)
(72) Inventors: **Desi Jay Penington**, Thornton, CO (US); **David Faller**, Thornton, CO (US)

(73) Assignee: **Medinfo, Inc.**, Denver, CO (US)

(**) Term: **14 Years**

(21) Appl. No.: **29/459,862**

(22) Filed: **Jul. 3, 2013**

(51) **LOC (10) Cl.** **19-06**

(52) **U.S. Cl.**
USPC **D19/81**

(58) **Field of Classification Search**
USPC D8/394, 395; D11/78.1; D19/65,
D19/81-85, 86, 99, 100; 24/67 R, 67.1, 67.3,
24/67.9, 67.11, 552, 563, DIG. 8, DIG. 9,
24/DIG. 10

See application file for complete search history.

(56) **References Cited**

U.S. PATENT DOCUMENTS

1,098,077	A *	5/1914	Annison	405/279
3,033,412	A *	5/1962	Fox	220/23.4
3,483,996	A *	12/1969	Scammon	294/143
3,488,432	A *	1/1970	Fernandes et al.	174/71 R
3,521,332	A *	7/1970	Kramer	403/188
D267,231	S *	12/1982	Guem, Jr.	D8/395
4,407,472	A *	10/1983	Beck	248/89
4,707,892	A *	11/1987	Nelson	24/336
5,697,129	A *	12/1997	Newville	24/339
D417,141	S *	11/1999	Senninger	D8/395
6,298,525	B1 *	10/2001	Margo	24/336
D463,578	S *	9/2002	Wall	D25/121
D471,083	S *	3/2003	Wall	D8/382

6,691,382	B1 *	2/2004	Su	24/545
D517,905	S *	3/2006	Wall	D8/382
D538,634	S *	3/2007	King	D8/380
D542,643	S *	5/2007	Heindl	D8/382
D549,493	S *	8/2007	Petrick et al.	D6/495
D587,564	S *	3/2009	Kodi	D8/396
D621,248	S *	8/2010	Heindl	D8/382
D623,930	S *	9/2010	Austro	D8/382
D623,931	S *	9/2010	Austro	D8/382
D640,535	S *	6/2011	Austro	D8/382
8,117,796	B2 *	2/2012	Kodi	52/687
D681,429	S *	5/2013	Heindl	D8/382
D681,430	S *	5/2013	Heindl	D8/382
2005/0238443	A1 *	10/2005	Heindl et al.	405/277

* cited by examiner

Primary Examiner — Elizabeth Albert

(74) *Attorney, Agent, or Firm* — Sheridan Ross P.C.

(57) **CLAIM**

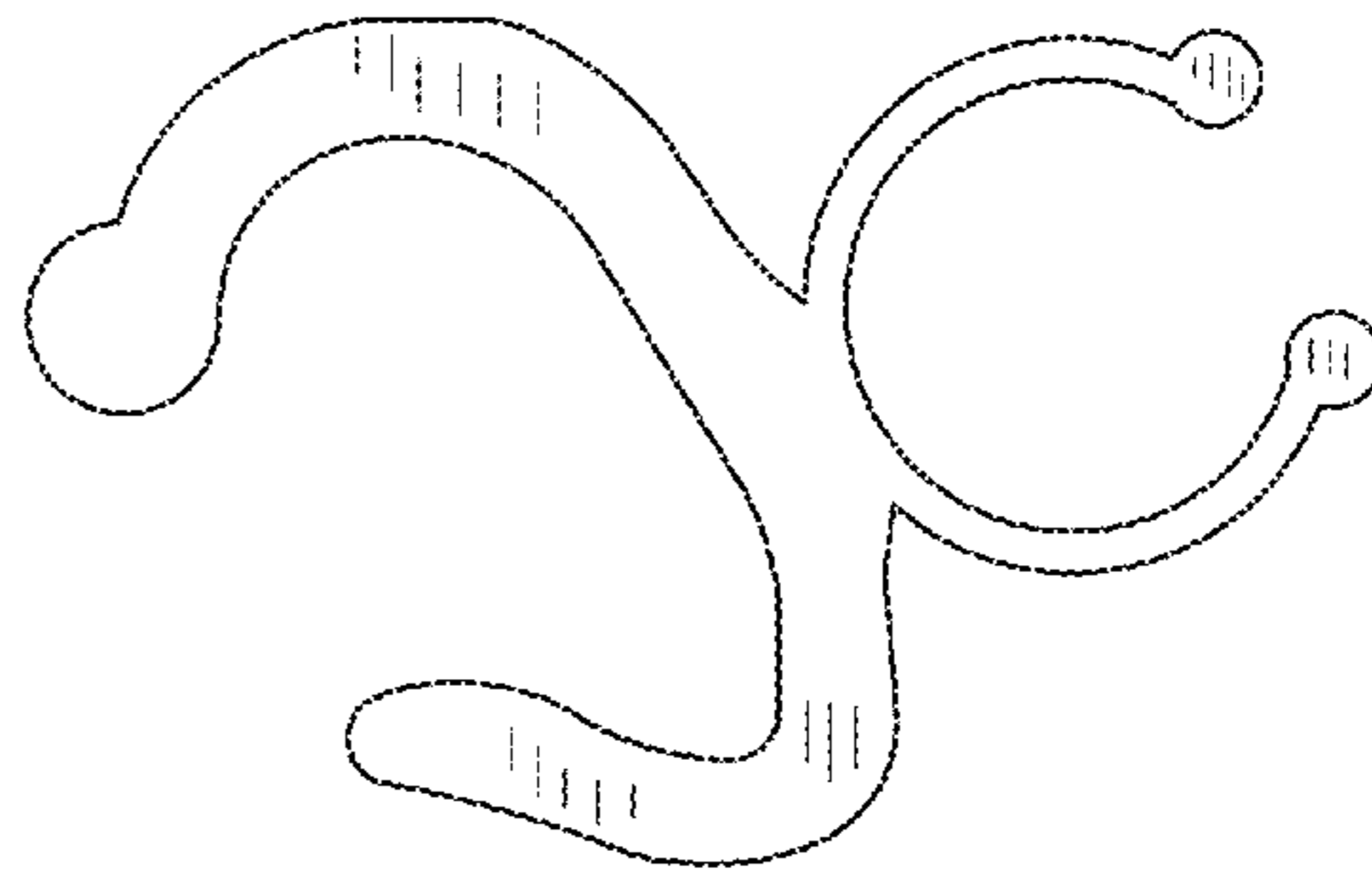
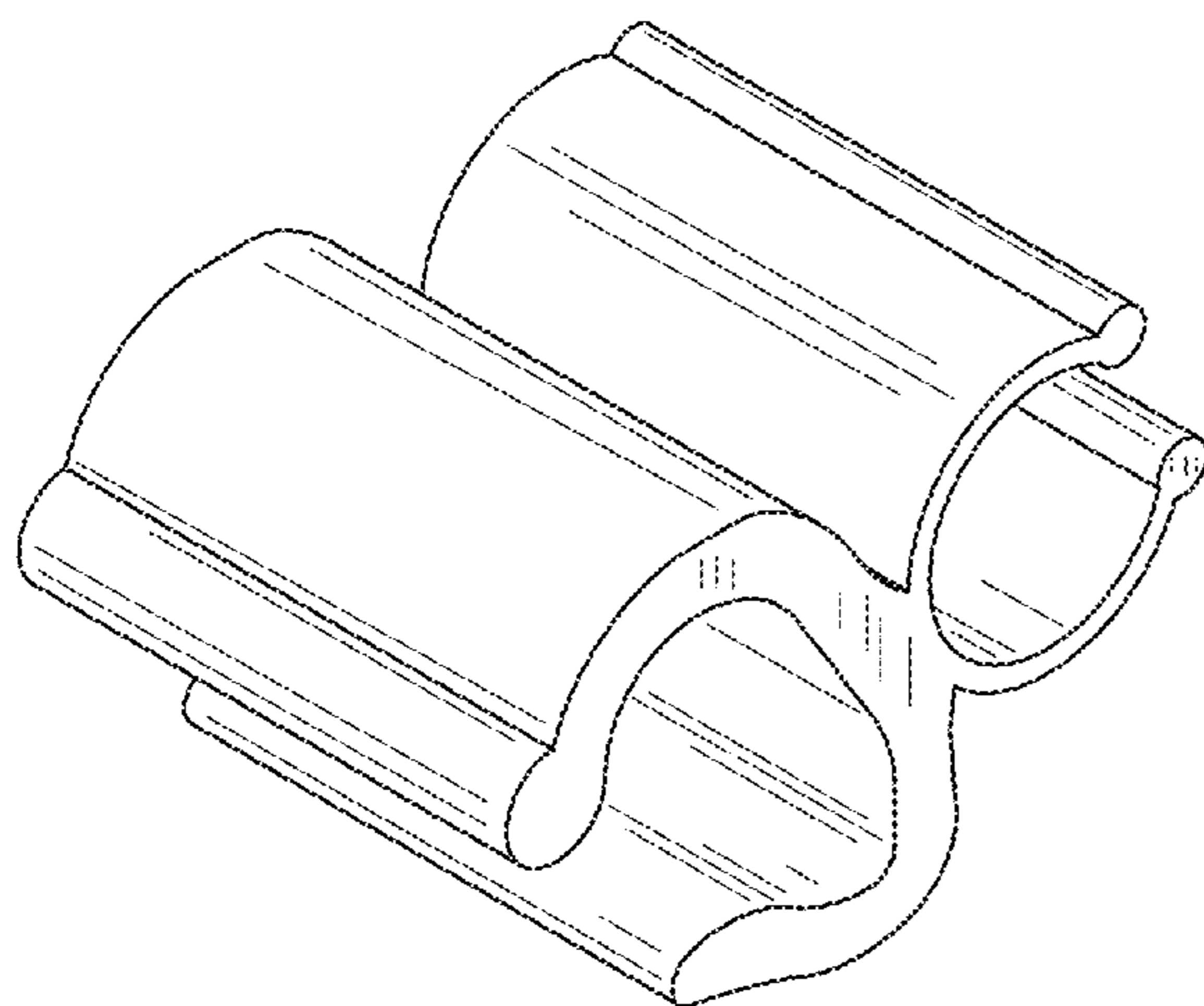
The ornamental design for a pen holder, as shown and described.

DESCRIPTION

FIG. 1 is a perspective view of the pen holder showing the new design interconnected to a clip board;
FIG. 2 is a top left perspective view thereof;
FIG. 3 is a top right perspective view thereof;
FIG. 4 is a top plan view thereof;
FIG. 5 is a front elevation view thereof;
FIG. 6 is a right elevation view thereof;
FIG. 7 is a left elevation view thereof;
FIG. 8 is a rear elevation view thereof; and,
FIG. 9 is a bottom plan view thereof.

The broken lines showing a clipboard and pencil in FIG. 1 are included for the purpose of showing features in the environment that form no part of the claimed design.

1 Claim, 4 Drawing Sheets



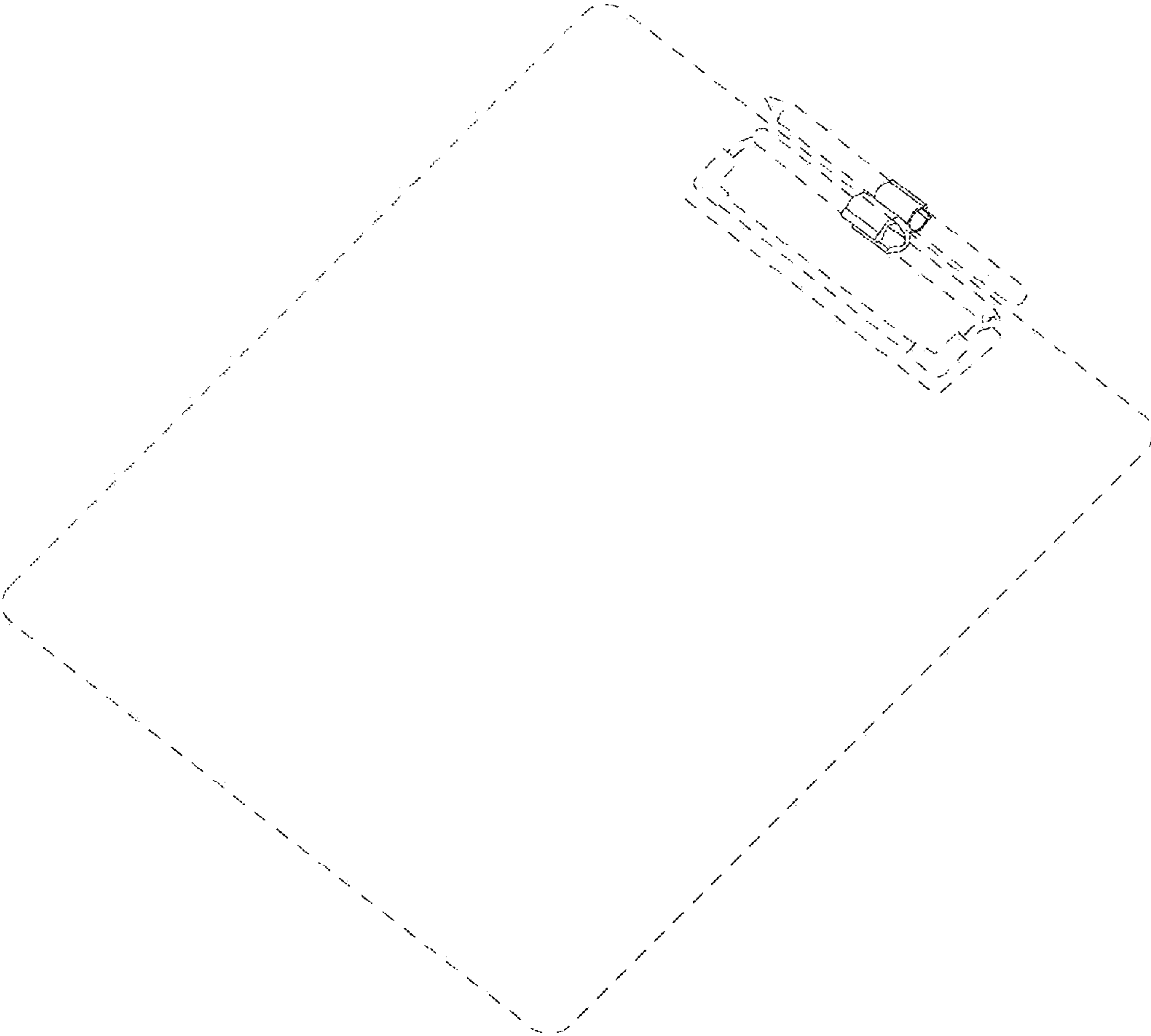


FIG.1

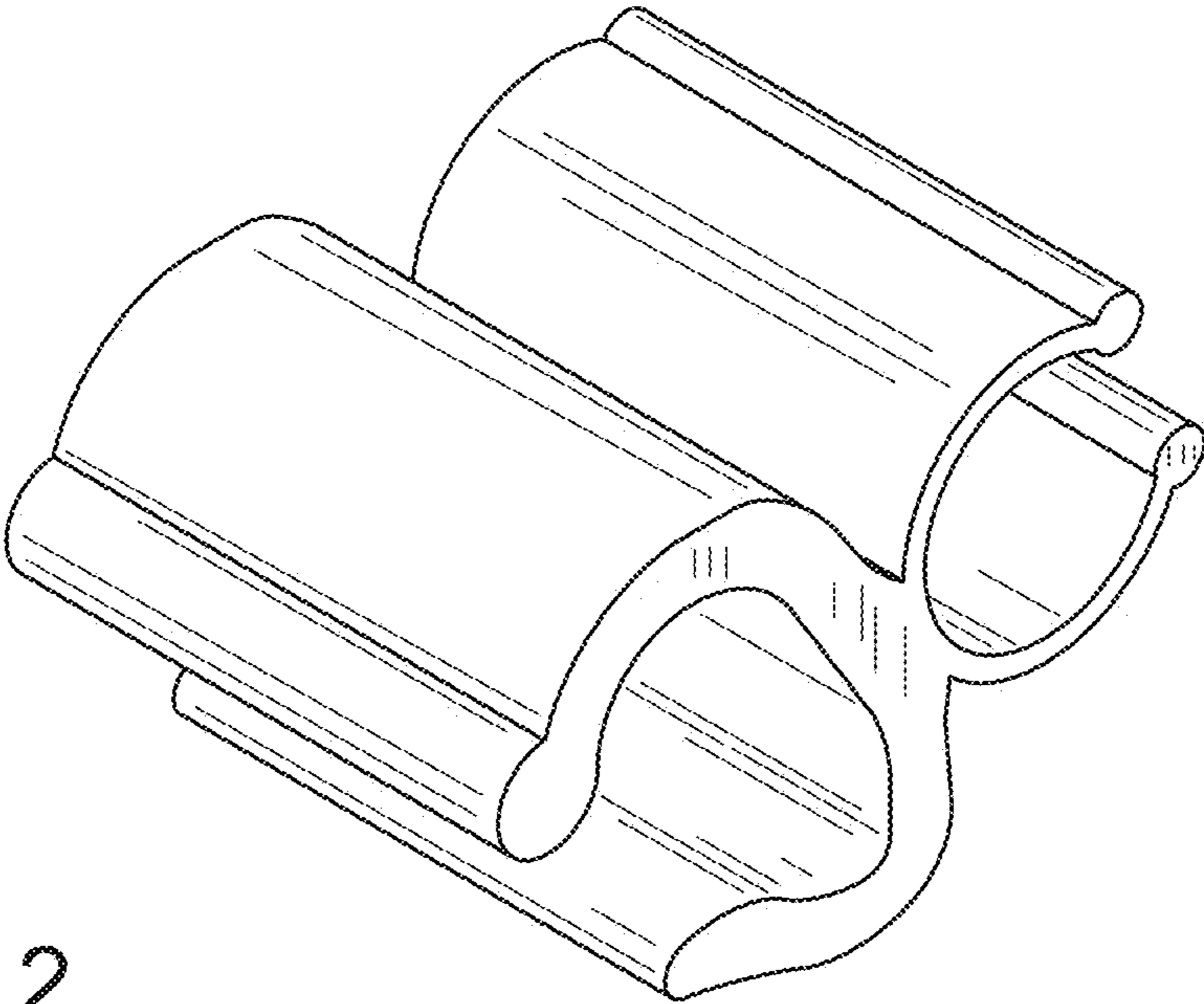


FIG. 2

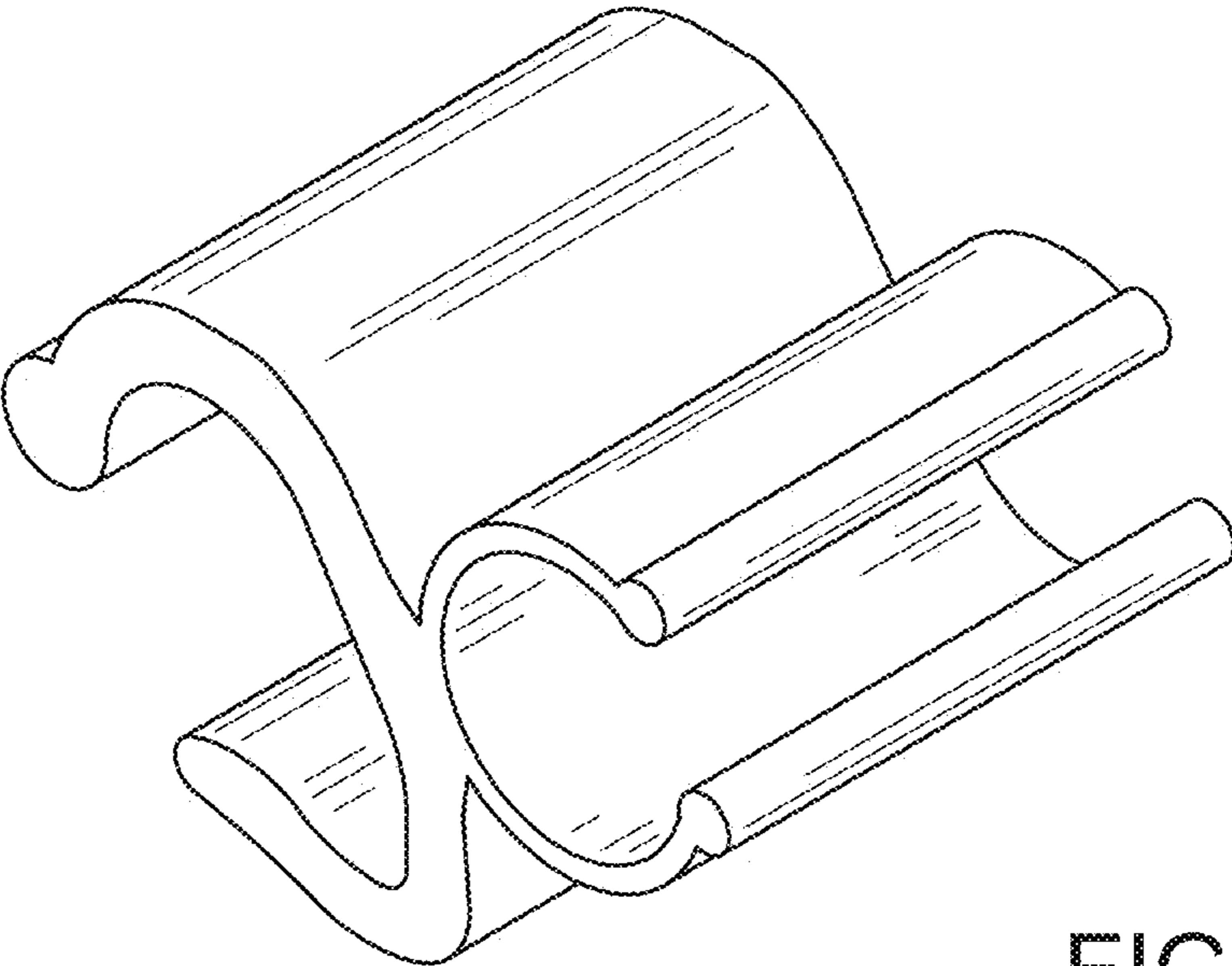


FIG. 3

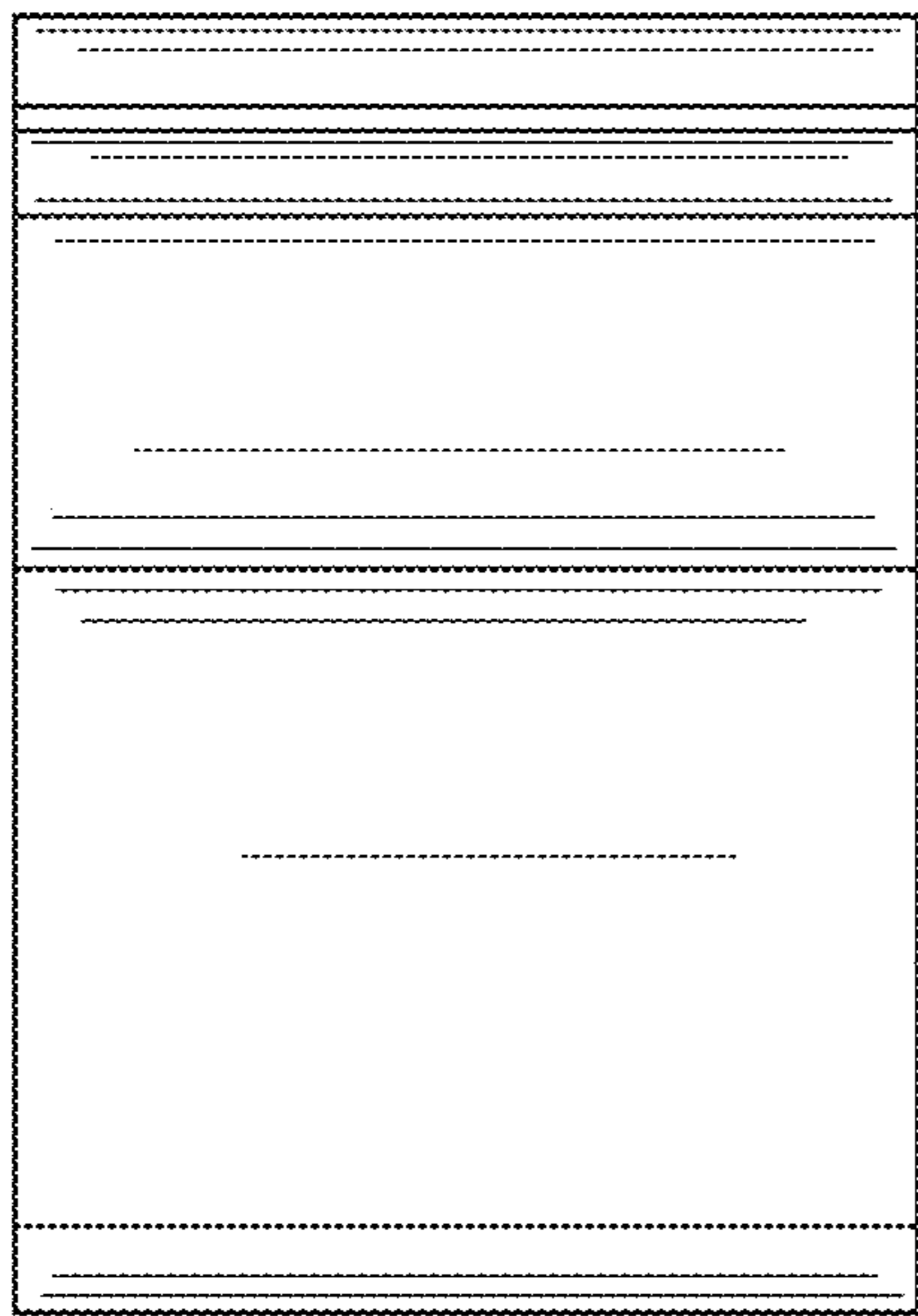


FIG. 4

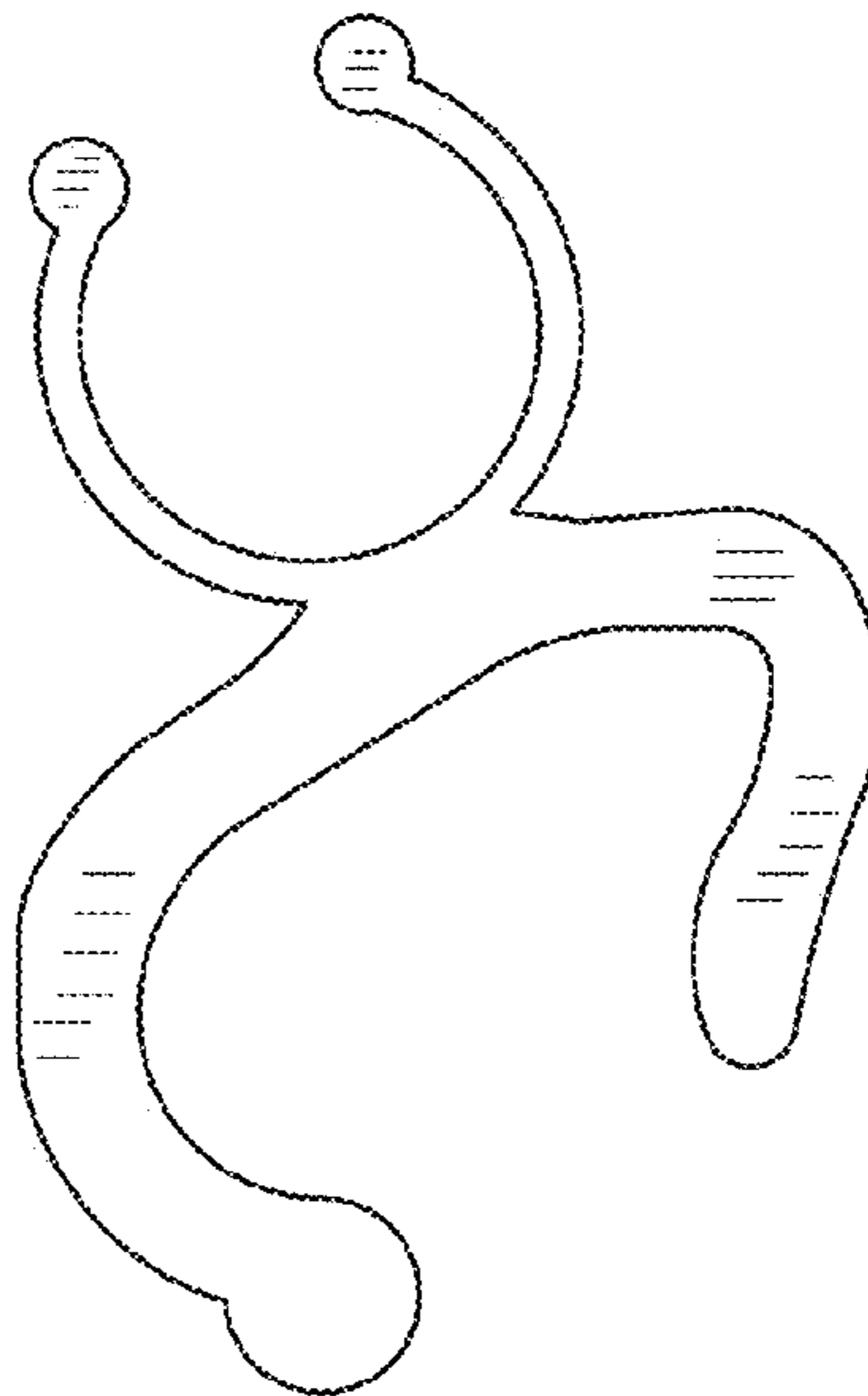


FIG. 5

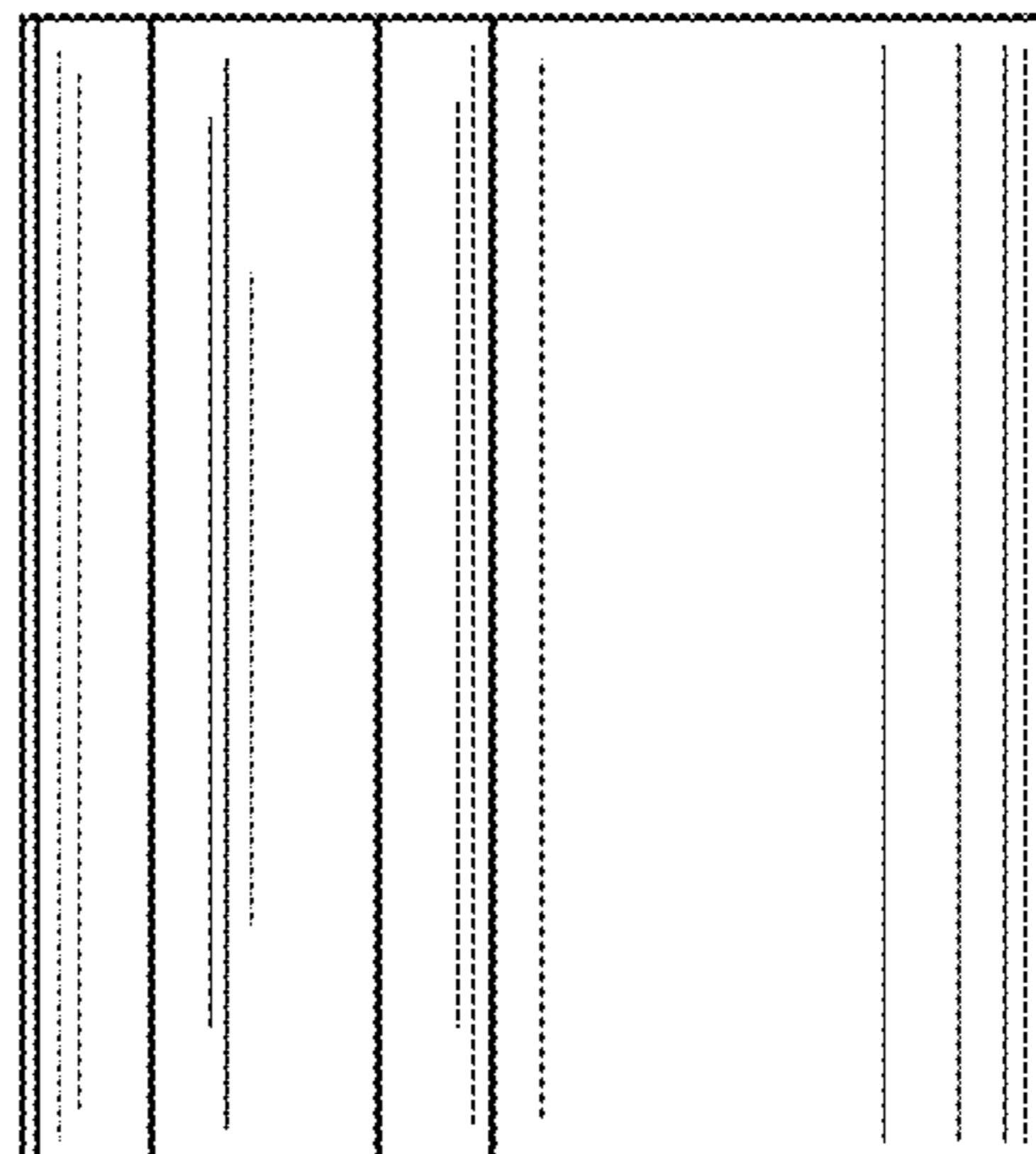


FIG. 6

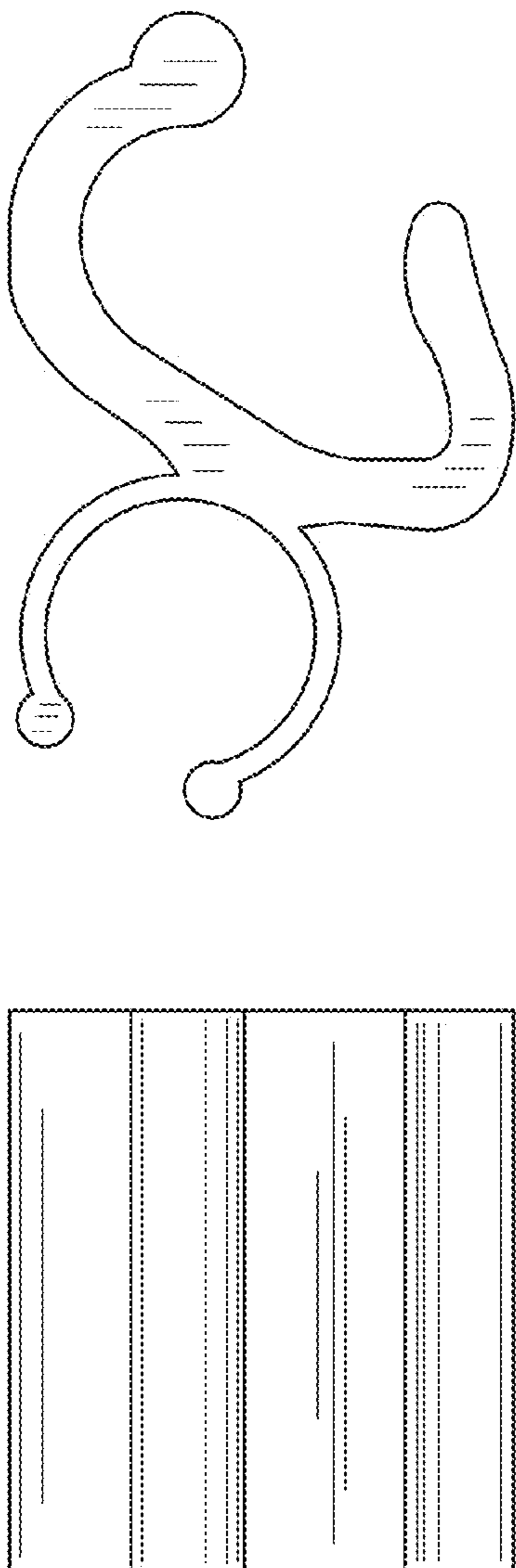


FIG. 7

FIG. 8

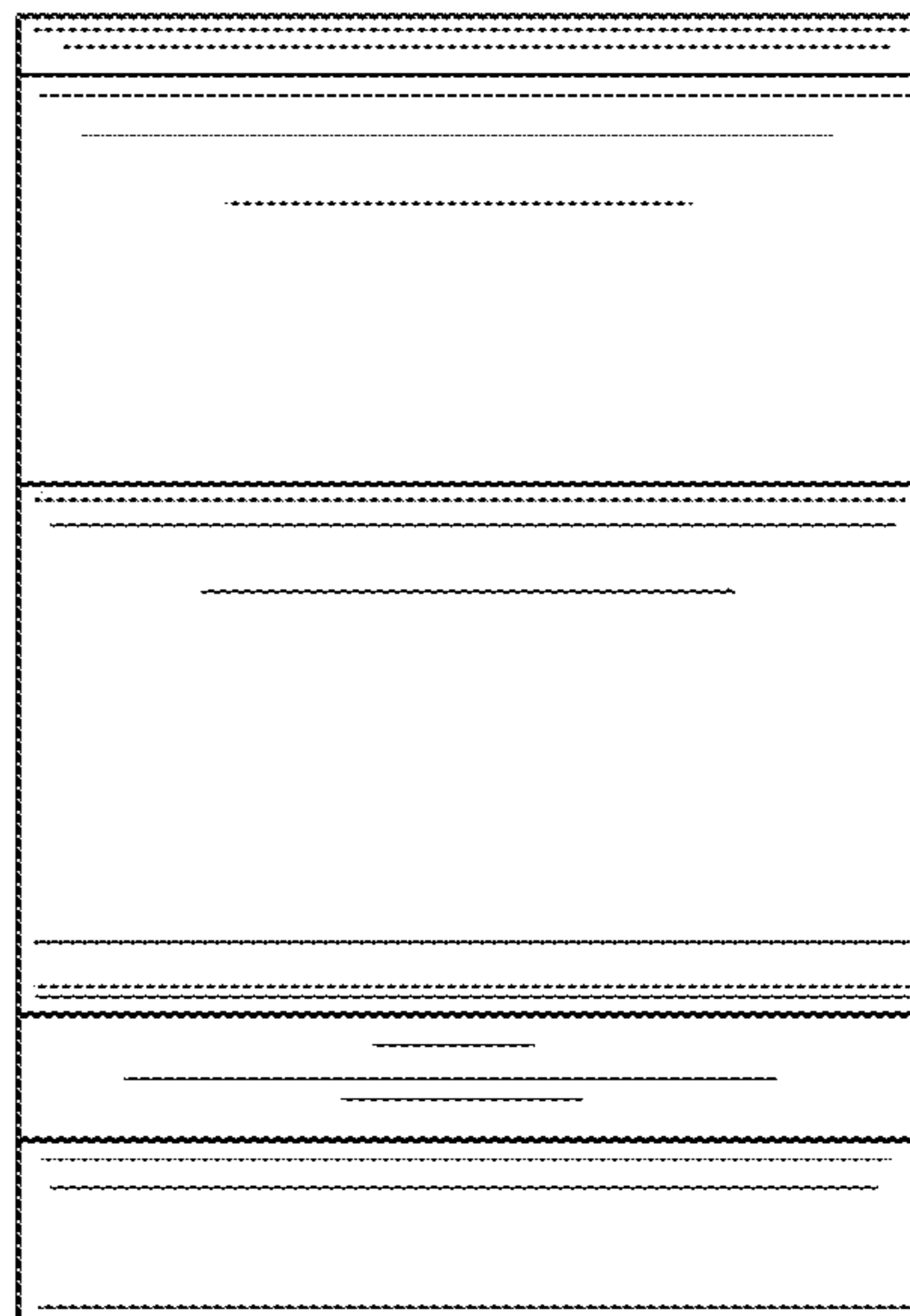


FIG. 9