



US00D704760S

(12) **United States Design Patent**  
**Jung et al.**

(10) **Patent No.:** **US D704,760 S**

(45) **Date of Patent:** **\*\* May 13, 2014**

(54) **INTERCHANGEABLE LENS FOR CAMERA**

(56) **References Cited**

(71) Applicant: **Samyang Optics Co., Ltd.**, Masan-si (KR)

U.S. PATENT DOCUMENTS

(72) Inventors: **Woo-Hyun Jung**, Changwon-si (KR);  
**Jung-Du Lee**, Masan-si (KR); **Soo-Won Yoon**, Changwon-si (KR)

D223,215 S *	3/1972	Takata .....	D16/134
D425,088 S *	5/2000	Watanabe .....	D16/219
D552,147 S *	10/2007	Tajima .....	D16/219
D562,863 S *	2/2008	Yasutomi .....	D16/219
7,625,144 B2 *	12/2009	Kranz et al. ....	396/529
D670,751 S *	11/2012	Koyama et al. ....	D16/219
D684,620 S *	6/2013	Kim .....	D16/219

(73) Assignee: **Samyang Optics Co., Ltd.**, Masan-Si, Gyeongsangnam-Do (KR)

\* cited by examiner

(\*\*) Term: **14 Years**

*Primary Examiner* — Adir Aronovich

(21) Appl. No.: **29/436,743**

(74) *Attorney, Agent, or Firm* — Lowe Hauptman & Ham, LLP

(22) Filed: **Nov. 8, 2012**

(57) **CLAIM**

The ornamental design for an interchangeable lens for camera, as shown and described.

(30) **Foreign Application Priority Data**

Aug. 17, 2012 (KR) ..... 30-2012-0039547

**DESCRIPTION**

(51) **LOC (10) Cl.** ..... **16-05**

(52) **U.S. Cl.**  
USPC ..... **D16/219**

(58) **Field of Classification Search**  
USPC ..... D16/134, 136, 200, 202, 218, 219;  
348/373, 374; 359/826–828;  
396/529–535, 540, 541

FIG. 1 is a front and left side perspective view of an interchangeable lens for camera showing our new design; FIG. 2 is a front elevational view thereof; FIG. 3 is a rear elevational view thereof; FIG. 4 is a left side elevational view thereof; FIG. 5 is a right side elevational view thereof; FIG. 6 is a top plan view thereof; and, FIG. 7 is a bottom plan view thereof.

The broken lines showing in the drawings represent portions of the interchangeable lens for camera that form no part of the claimed design.

See application file for complete search history.

**1 Claim, 7 Drawing Sheets**

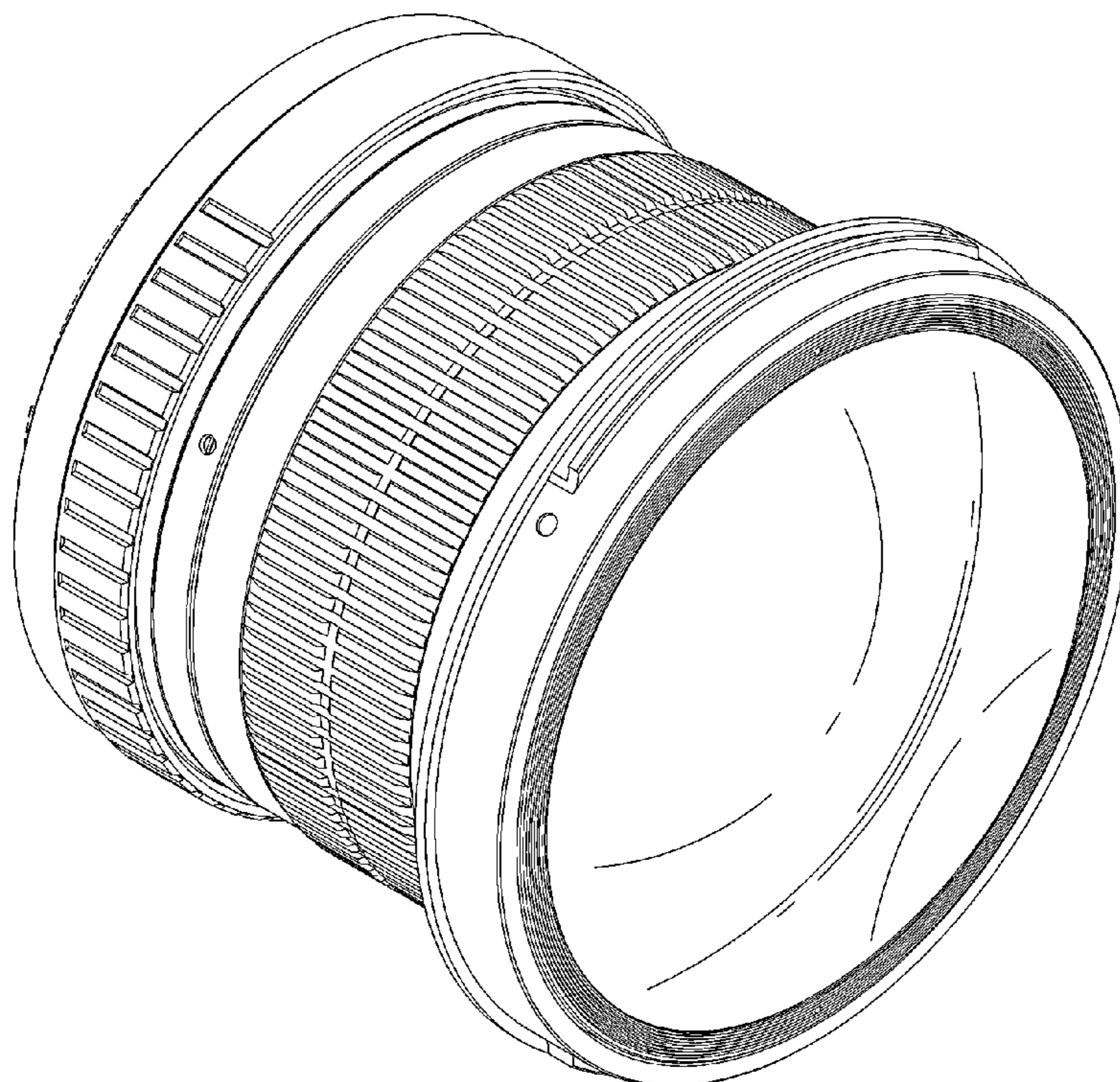


FIG. 1

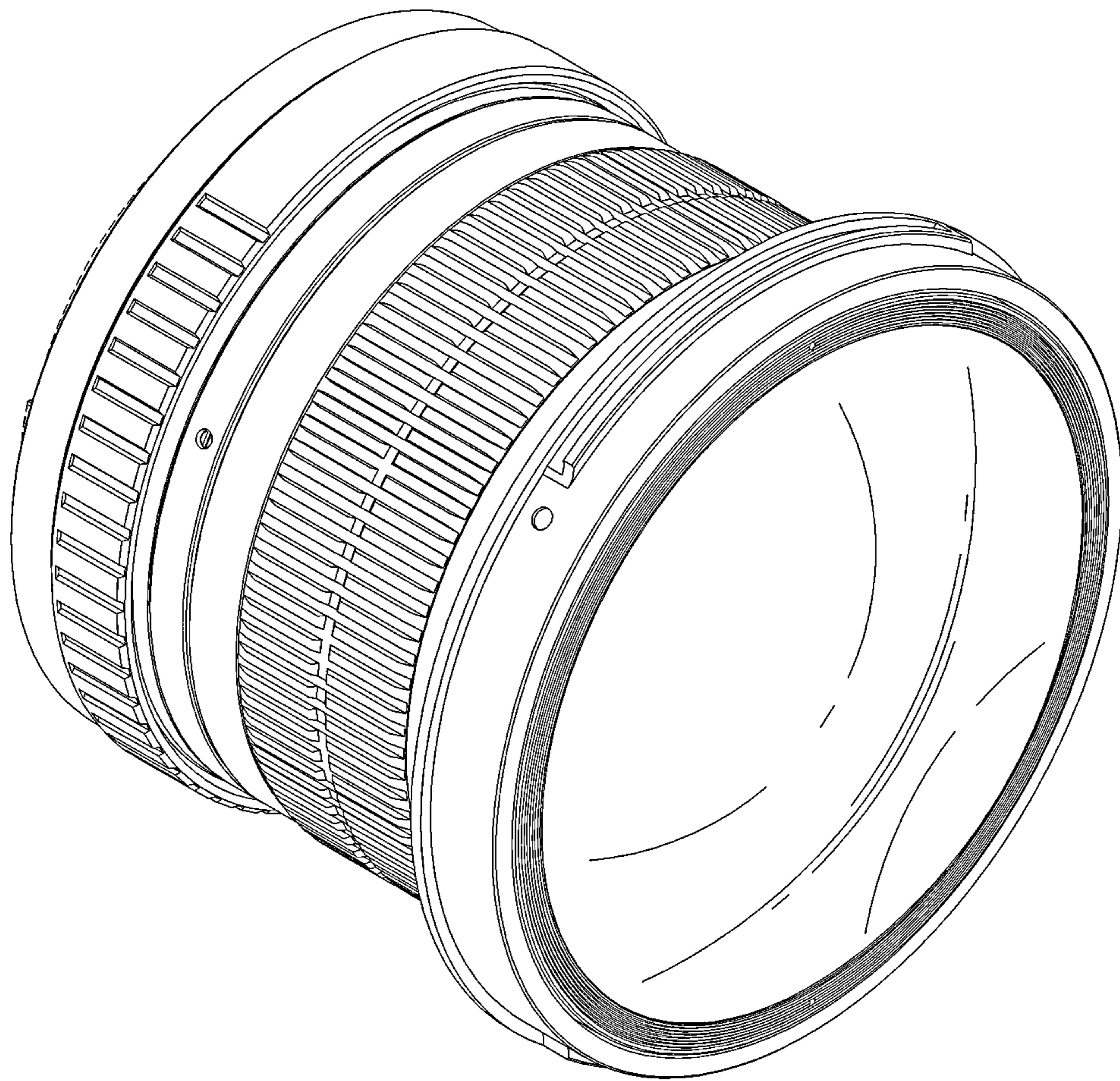




FIG. 2

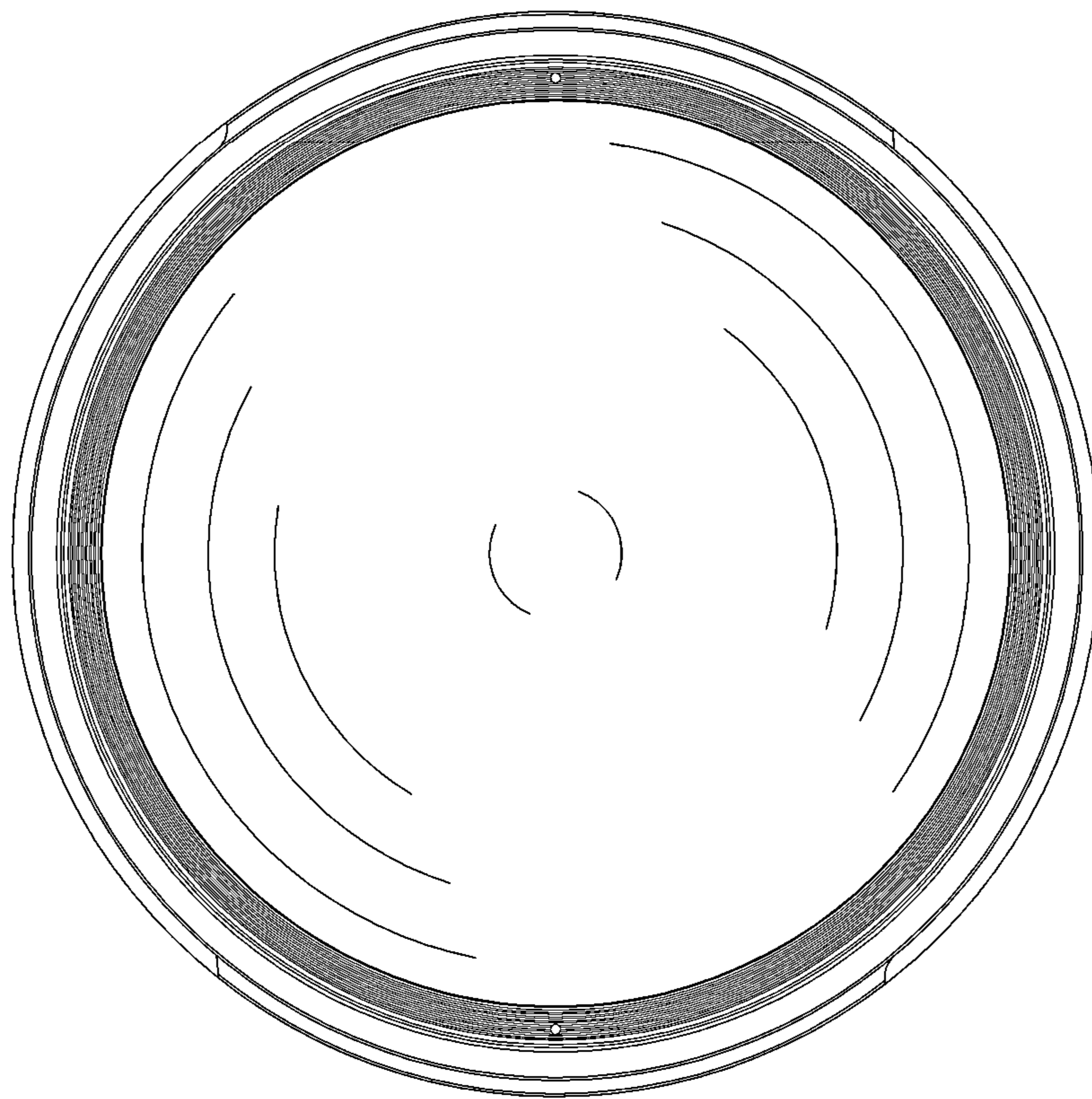


FIG. 3

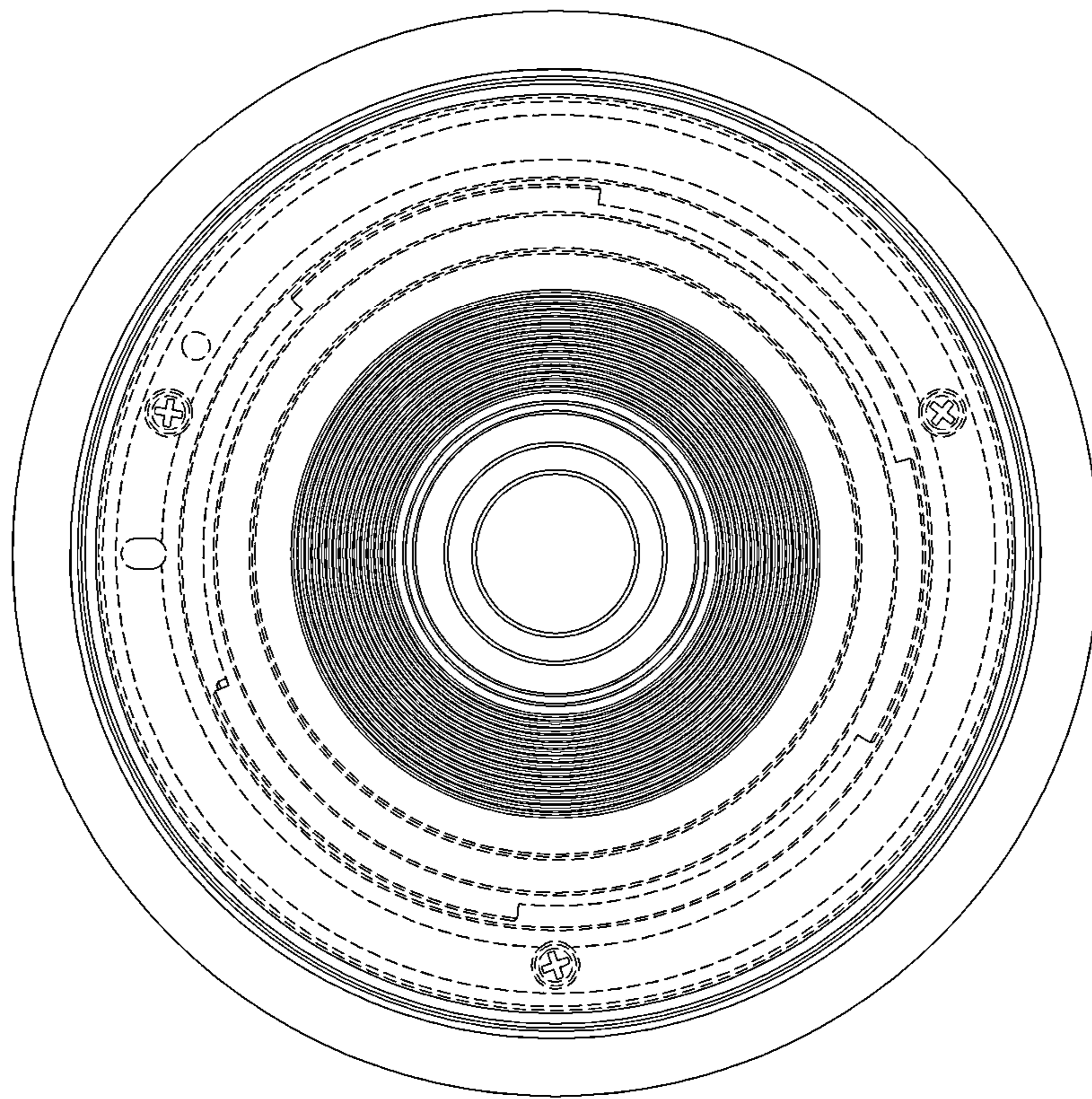


FIG. 4

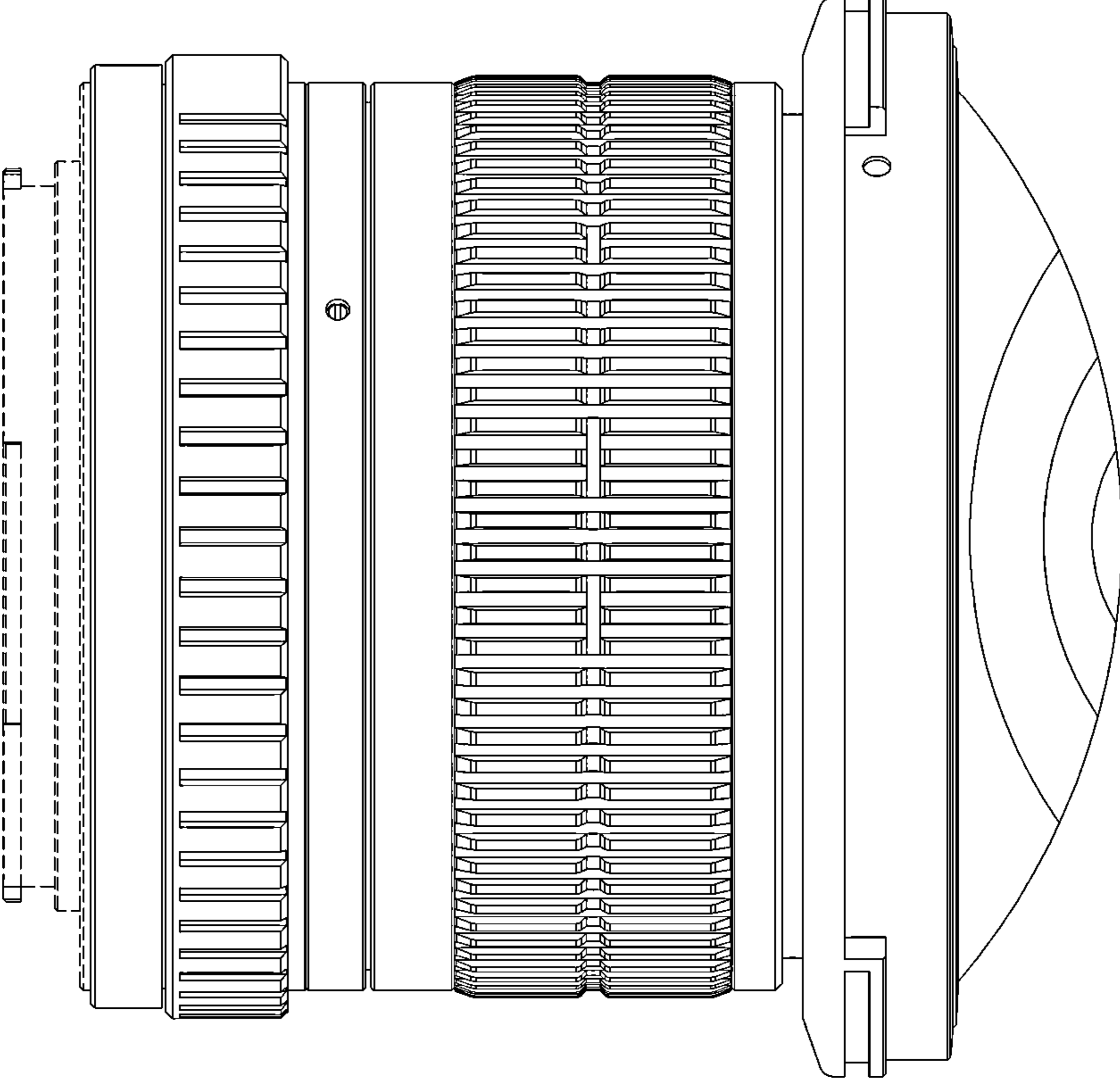


FIG. 5

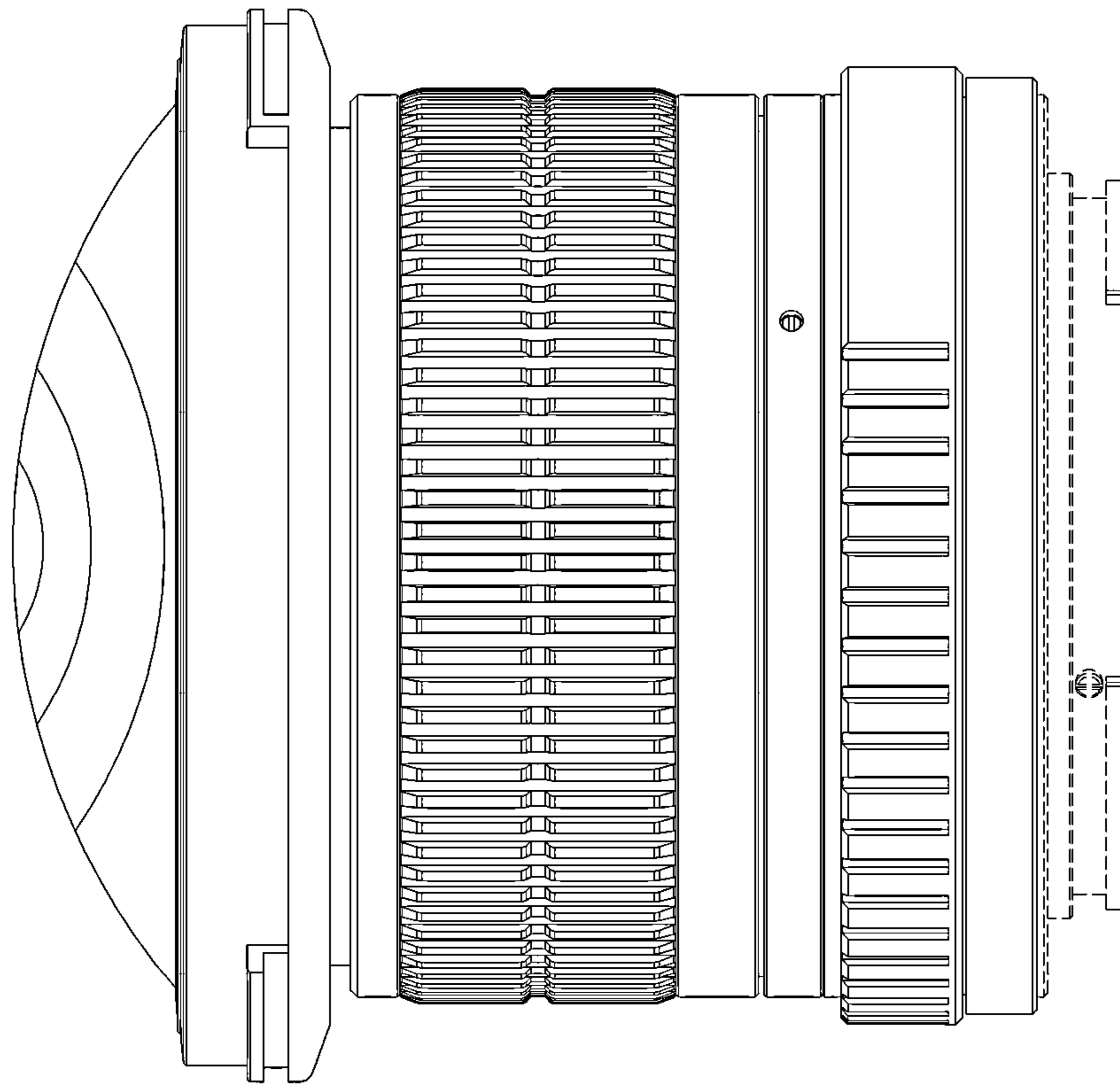


FIG. 6

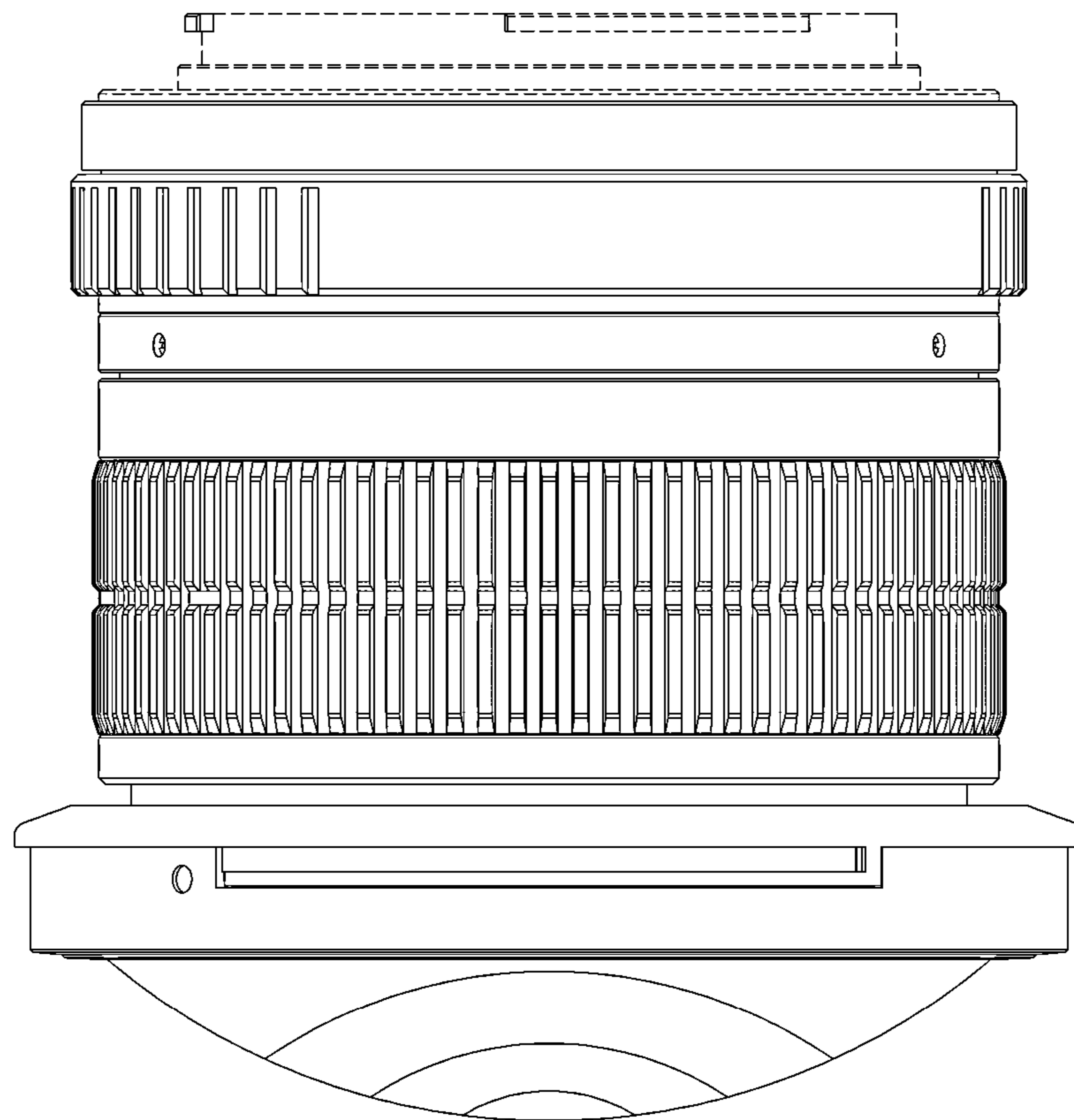


FIG. 7

