



US00D704759S

(12) **United States Design Patent**
Park et al.

(10) **Patent No.:** **US D704,759 S**

(45) **Date of Patent:** **** May 13, 2014**

(54) **INTERCHANGEABLE LENS FOR CAMERA**

(71) Applicant: **Samyang Optics Co., Ltd.**, Masan-si (KR)

(72) Inventors: **Jong-Young Park**, Changwon-si (KR);
Byoung-Uck Choo, Yangsan-si (KR);
Dal-Gyu Kim, Changwon-si (KR);
Han-Jea Lee, Masan-si (KR)

(73) Assignee: **Samyang Optics Co., Ltd.**, Masan-Si, Gyeongsangnam-Do (KR)

(**) Term: **14 Years**

(21) Appl. No.: **29/436,734**

(22) Filed: **Nov. 8, 2012**

(30) **Foreign Application Priority Data**

Aug. 17, 2012 (KR) 30-2012-0039546

(51) **LOC (10) Cl.** **16-05**

(52) **U.S. Cl.**
USPC **D16/219**

(58) **Field of Classification Search**
USPC D16/134, 136, 200, 202, 218, 219;
348/373, 374; 359/826-828;
396/529-535, 540, 541

See application file for complete search history.

(56) **References Cited**

U.S. PATENT DOCUMENTS

D223,215 S *	3/1972	Takata	D16/134
D425,088 S *	5/2000	Watanabe	D16/219
D552,147 S *	10/2007	Tajima et al.	D16/219
D562,863 S *	2/2008	Yasutomi et al.	D16/219
7,625,144 B2 *	12/2009	Kranz et al.	396/529
D670,751 S *	11/2012	Koyama et al.	D16/219
D684,620 S *	6/2013	Kim	D16/219

* cited by examiner

Primary Examiner — Adir Aronovich

(74) *Attorney, Agent, or Firm* — Lowe Hauptman & Ham, LLP

(57) **CLAIM**

The ornamental design for an interchangeable lens for camera, as shown and described.

DESCRIPTION

FIG. 1 is a front and left side perspective view of an interchangeable lens for camera showing our new design; FIG. 2 is a front elevational view thereof; FIG. 3 is a rear elevational view thereof; FIG. 4 is a left side elevational view thereof; FIG. 5 is a right side elevational view thereof; FIG. 6 is a top plan view thereof; and, FIG. 7 is a bottom plan view thereof. The broken lines showing in the drawings represent portions of the interchangeable lens for camera that form no part of the claimed design.

1 Claim, 7 Drawing Sheets

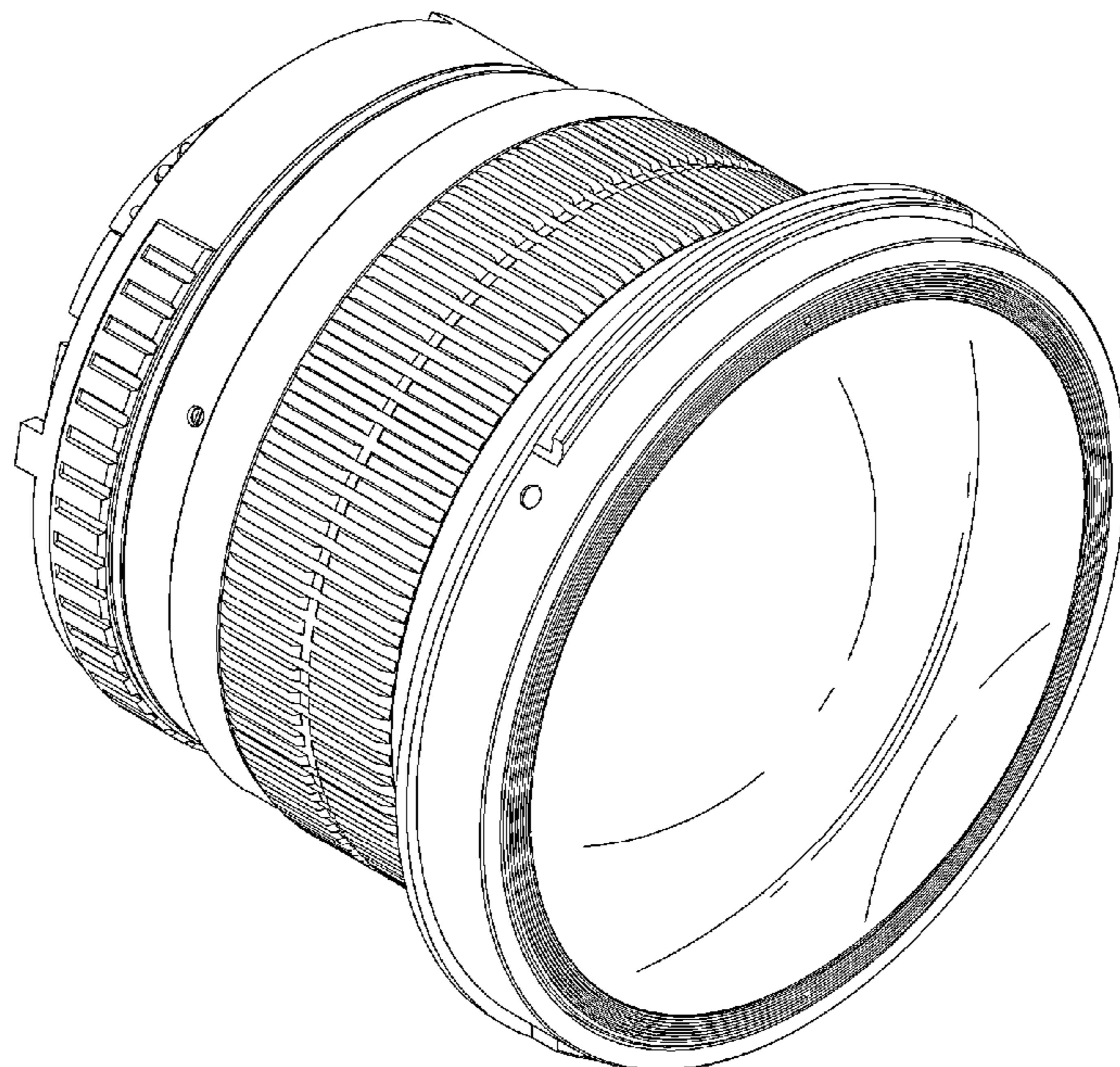


FIG. 1

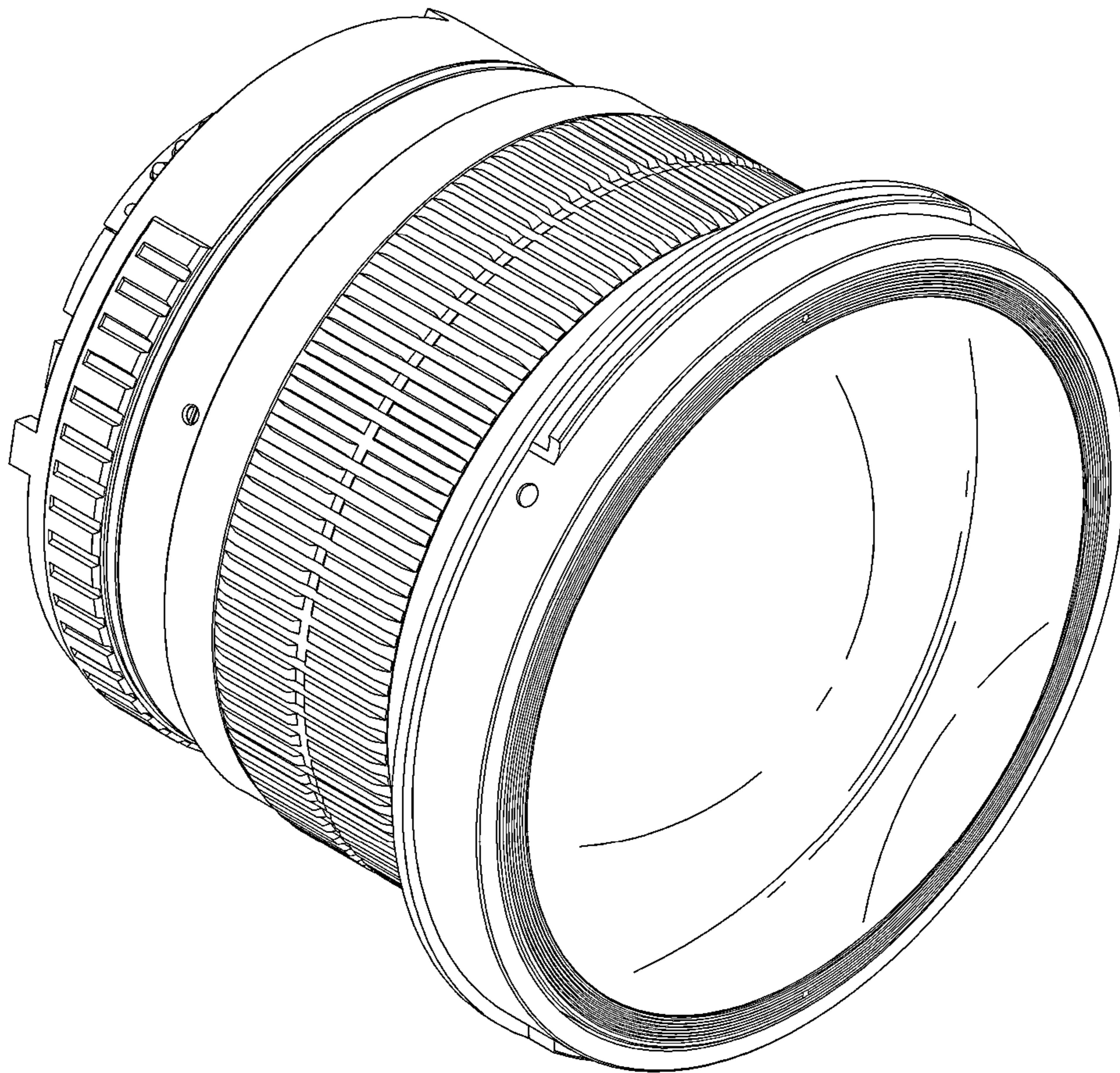


FIG. 2

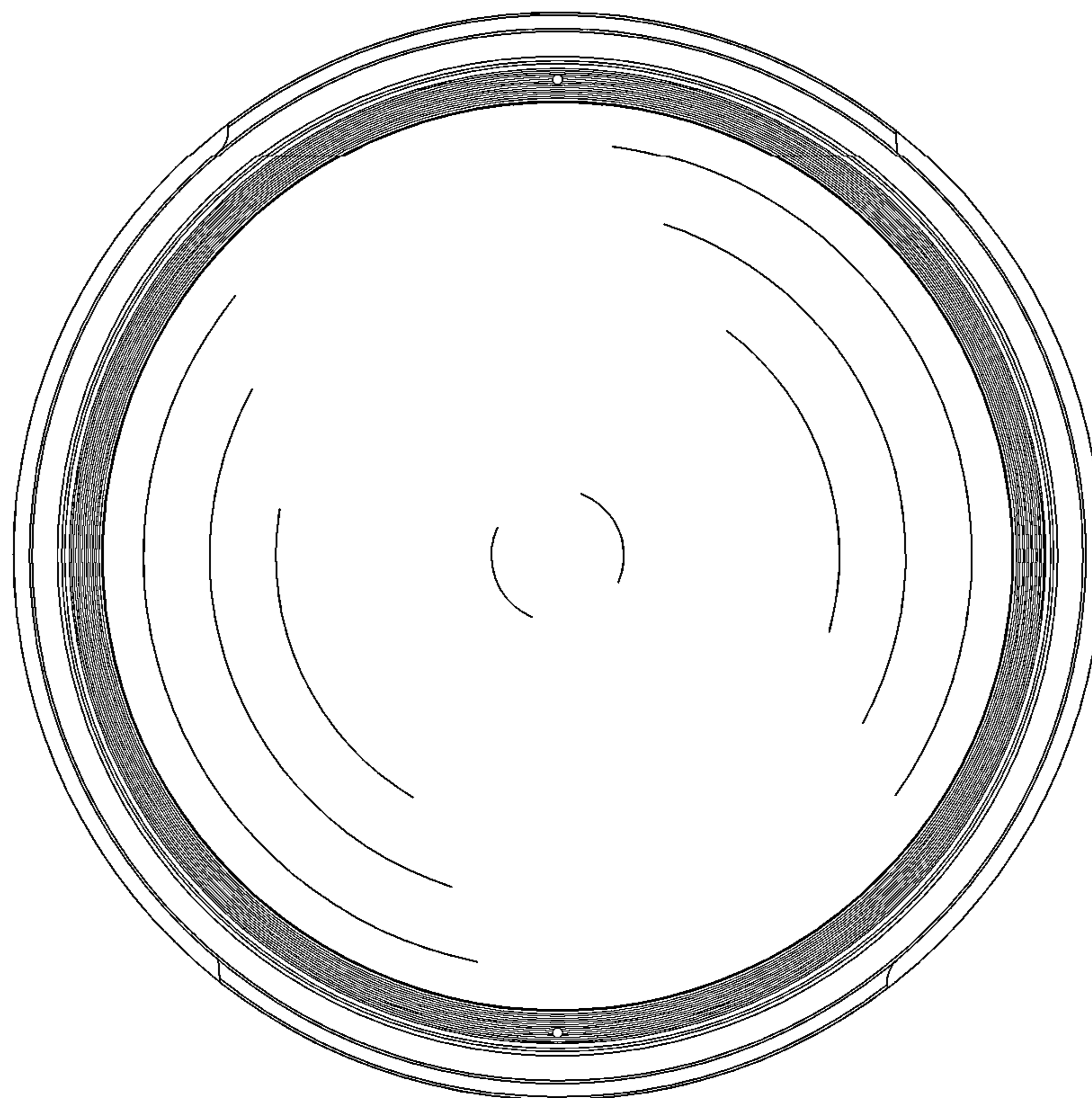


FIG. 3

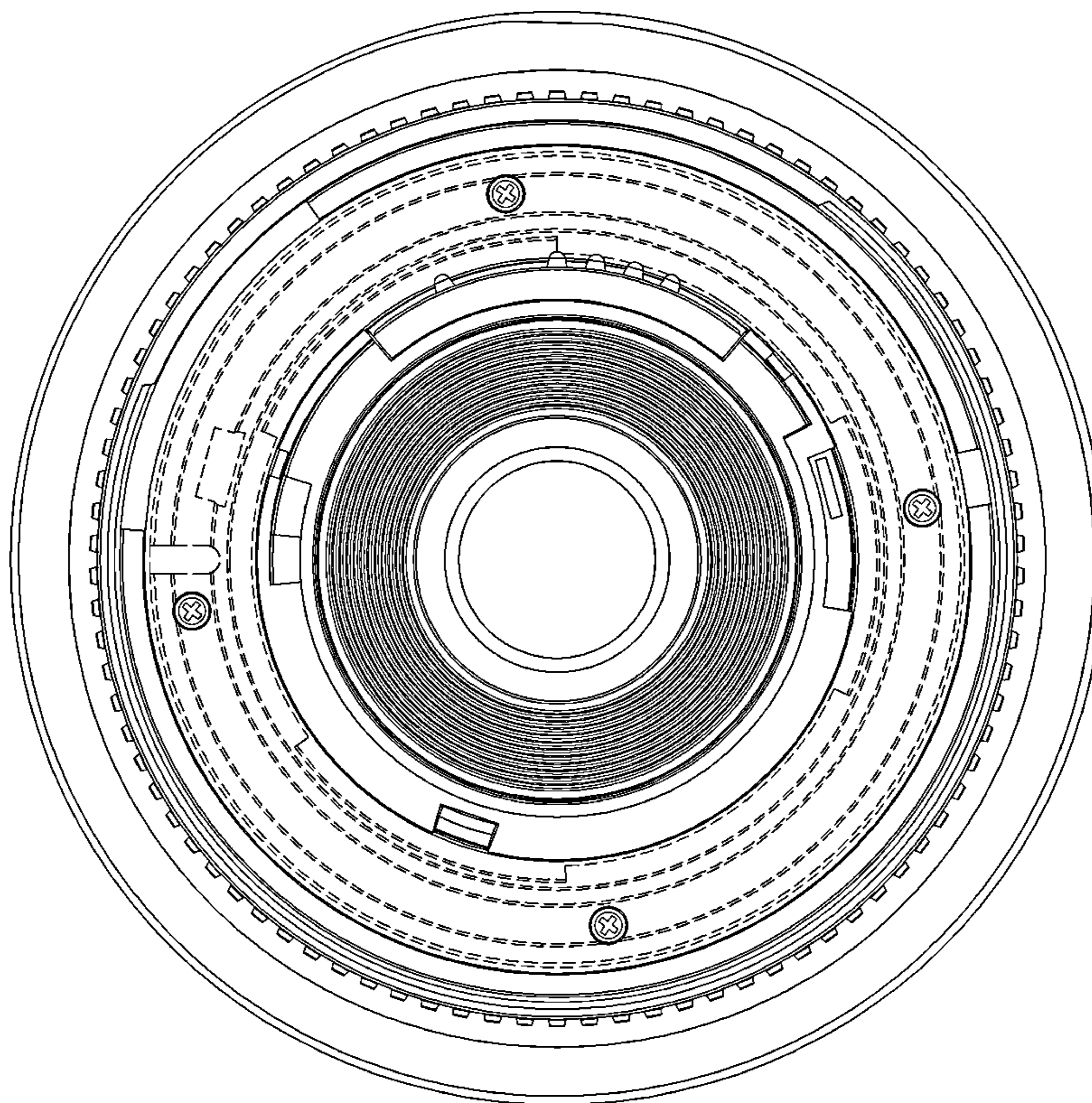


FIG. 4

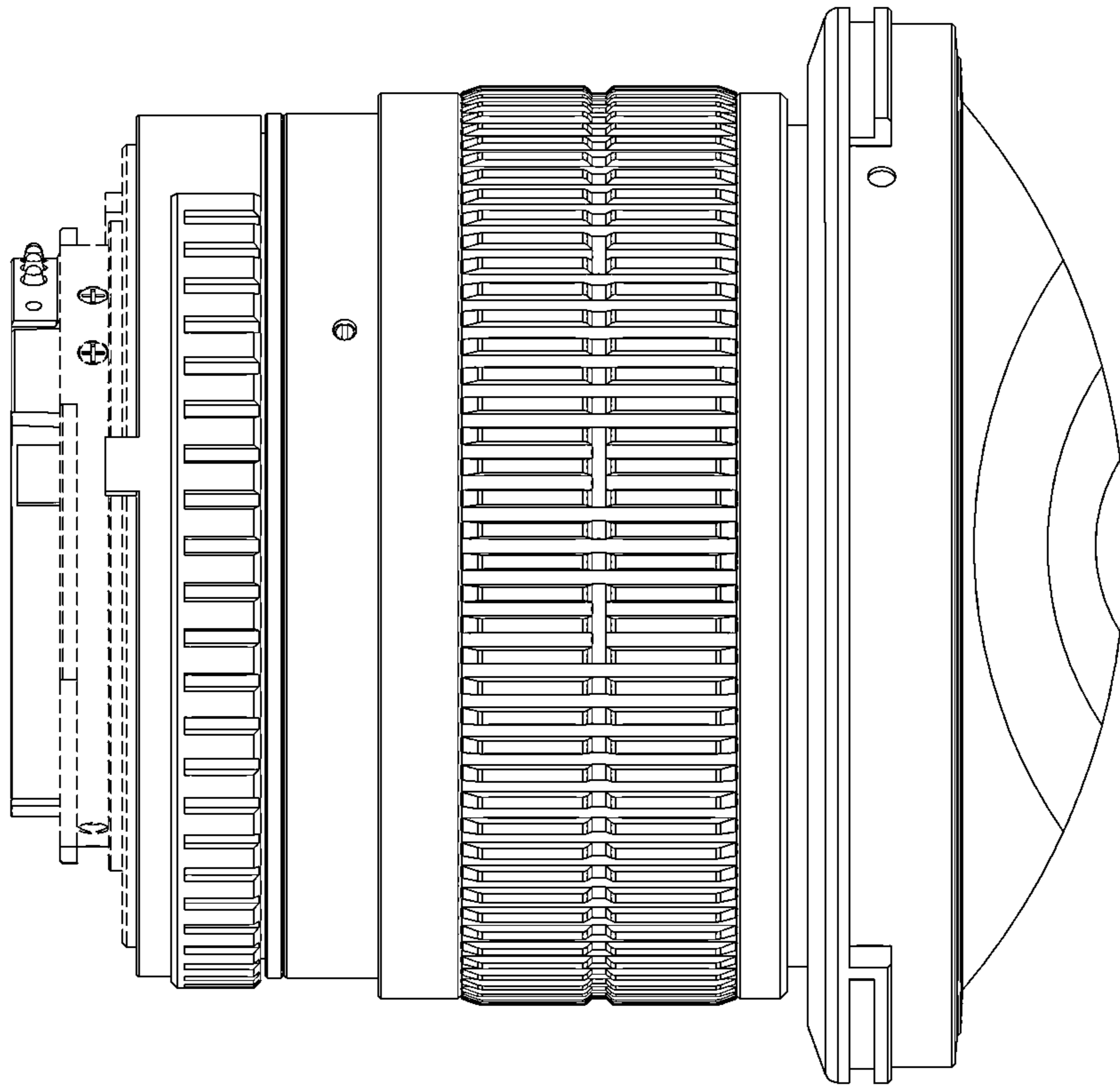


FIG. 5

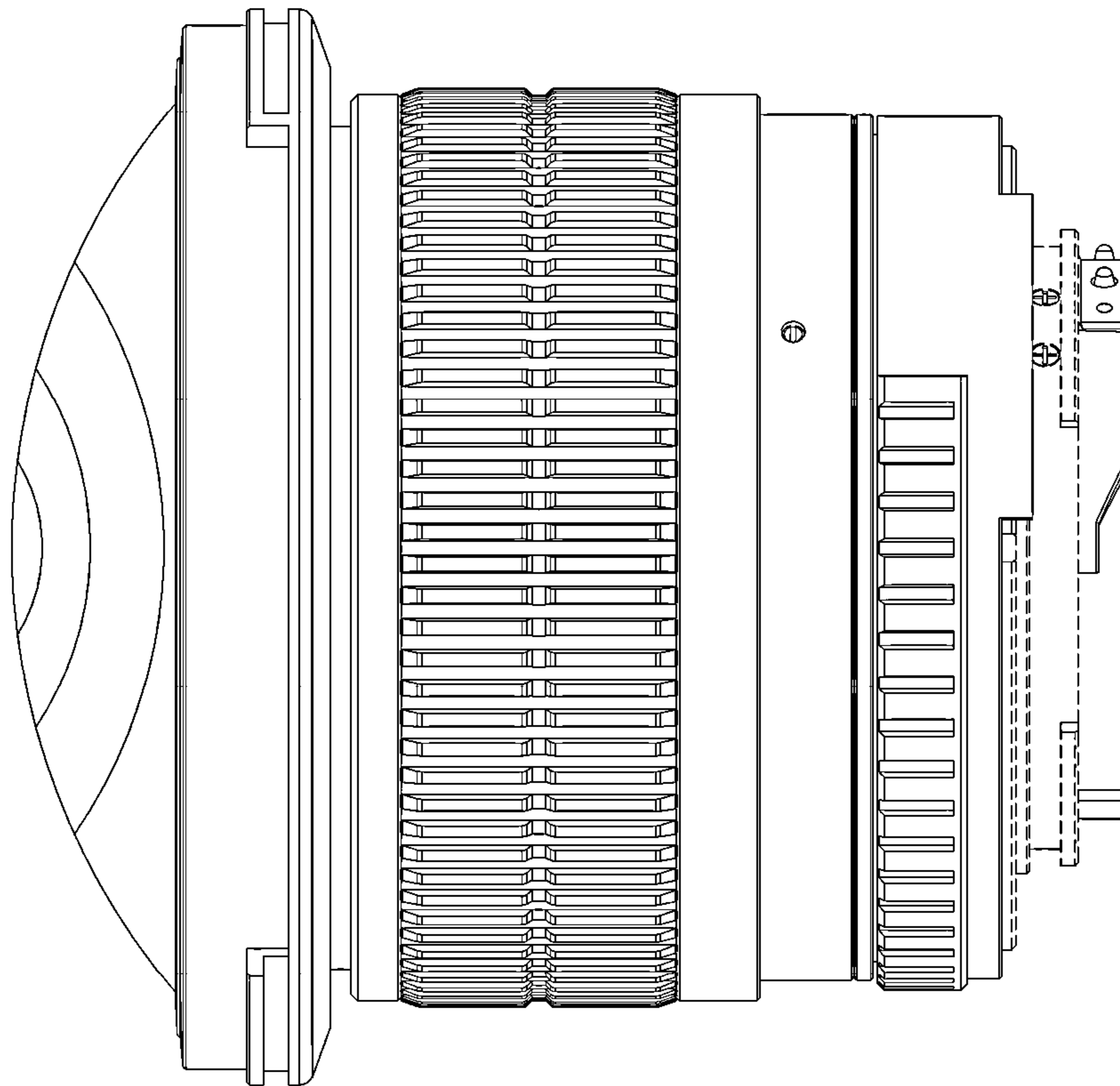


FIG. 6

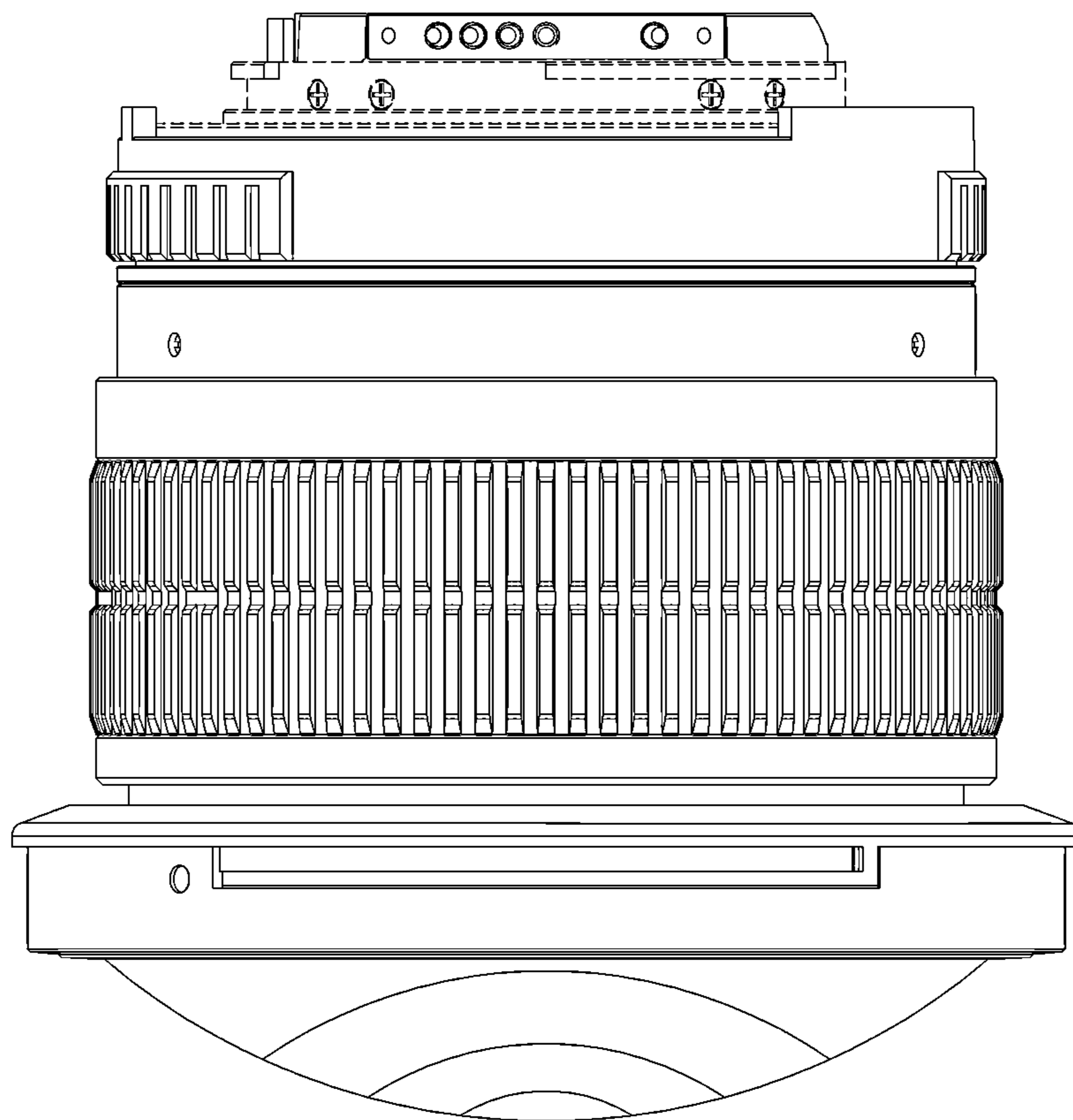


FIG. 7

