



US00D704758S

(12) **United States Design Patent**  
**Takagi**

(10) **Patent No.:** **US D704,758 S**

(45) **Date of Patent:** **\*\* May 13, 2014**

- (54) **CAMERA**
- (75) Inventor: **Noriaki Takagi**, Tokyo (JP)
- (73) Assignee: **Sony Corporation**, Tokyo (JP)
- (\*\*) Term: **14 Years**
- (21) Appl. No.: **29/371,757**
- (22) Filed: **Sep. 2, 2011**

- D524,349 S \* 7/2006 Nagayama et al. .... D16/219
- D528,578 S 9/2006 Yasutomi
- D528,579 S 9/2006 Yasutomi
- D532,029 S 11/2006 Kim
- D536,720 S 2/2007 Miyashita
- D542,322 S 5/2007 Miyashita
- D545,337 S \* 6/2007 Lee ..... D16/219
- D546,859 S 7/2007 Ishii
- D552,146 S 10/2007 Masamitsu et al.
- D562,871 S 2/2008 Ishii
- D566,149 S 4/2008 Sumita
- D566,153 S 4/2008 Katsuraku
- D566,155 S 4/2008 Takagi
- D572,285 S 7/2008 Kuroda
- D574,871 S 8/2008 Ishii

**Related U.S. Application Data**

- (63) Continuation of application No. 29/311,817, filed on Jun. 30, 2009, now Pat. No. Des. 644,678.

**Foreign Application Priority Data**

- (30) Jan. 5, 2009 (JP) ..... D2009-000060
- Jan. 5, 2009 (JP) ..... D2009-000061
- Jan. 5, 2009 (JP) ..... D2009-000062

- (51) **LOC (10) Cl.** ..... **16-05**
- (52) **U.S. Cl.**  
USPC ..... **D16/219**

- (58) **Field of Classification Search**  
USPC ..... D16/200, 202, 203, 204, 208, 218, 219;  
348/373-376; 358/906; 396/535-541  
See application file for complete search history.

(56) **References Cited**

**U.S. PATENT DOCUMENTS**

- 4,509,622 A \* 4/1985 Morszeck ..... 190/119
- D367,283 S \* 2/1996 Lyon et al. .... D16/208
- D496,678 S 9/2004 Kawase
- D496,955 S \* 10/2004 Hayashi ..... D16/202
- D505,967 S \* 6/2005 Ko et al. .... D16/218

(Continued)

**FOREIGN PATENT DOCUMENTS**

- JP D1285508 S 11/2006
- JP D1293249 S 2/2007

(Continued)

*Primary Examiner* — Adir Aronovich

(74) *Attorney, Agent, or Firm* — Rader, Fishman & Grauer PLLC

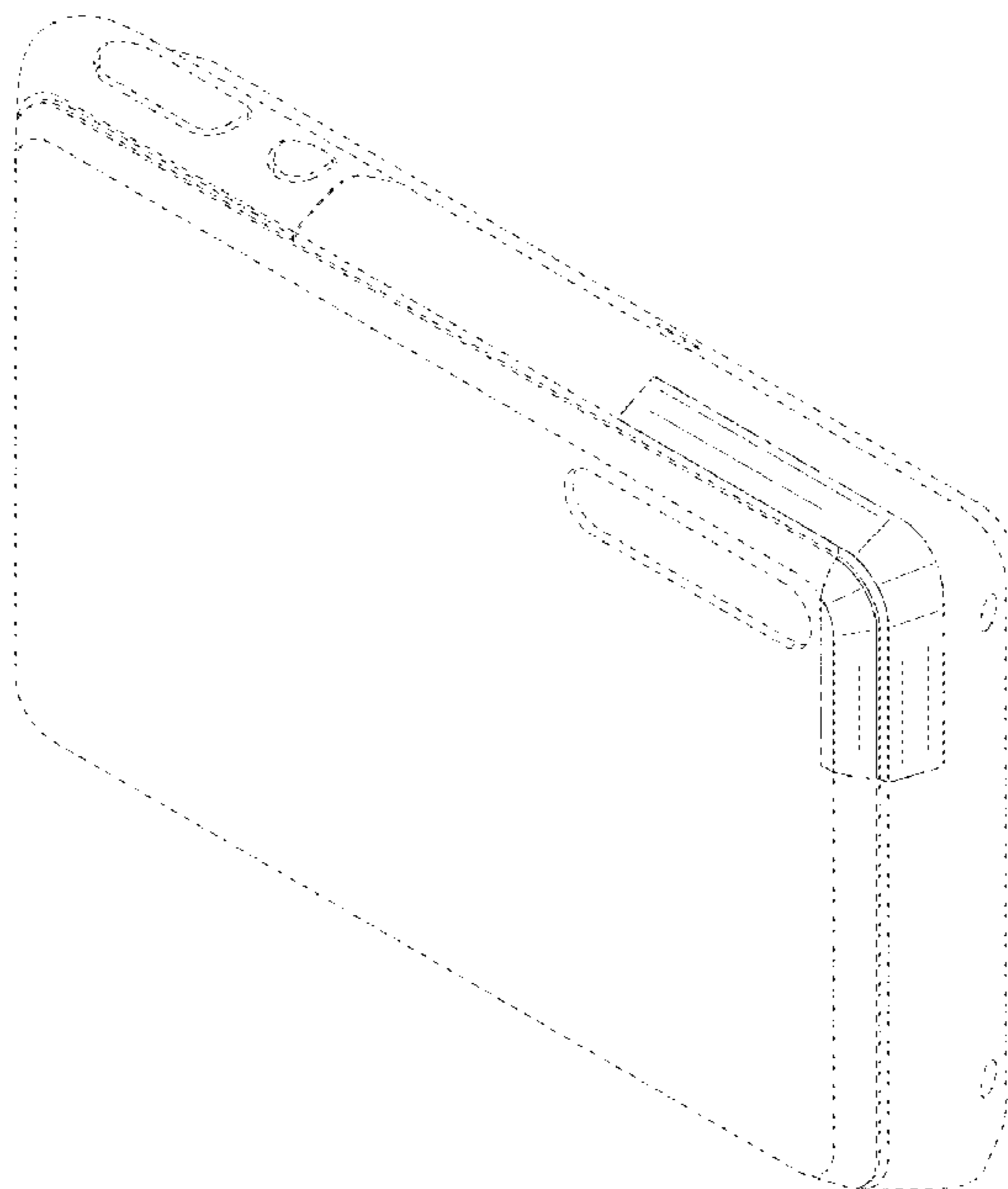
(57) **CLAIM**

The ornamental design for a camera, as shown and described.

**DESCRIPTION**

FIG. 1 is a perspective view of a camera showing my new design;  
 FIG. 2 is a front elevational view thereof;  
 FIG. 3 is a right side elevational view thereof; and,  
 FIG. 4 is a top plan view thereof.  
 The broken line portions in FIGS. 1-4 are shown to illustrate environment only and form no part of the claimed design.

**1 Claim, 4 Drawing Sheets**



(56)

**References Cited**

D628,226 S \* 11/2010 Hibi et al. .... D16/219

U.S. PATENT DOCUMENTS

FOREIGN PATENT DOCUMENTS

D584,326 S \* 1/2009 Hayashi ..... D16/219  
D588,179 S 3/2009 Hamamura  
7,507,041 B2 3/2009 Ueda et al.  
D605,675 S 12/2009 Sakaguchi et al.  
D607,478 S 1/2010 Tainaka  
7,643,085 B2 1/2010 Saiki et al.  
D611,974 S 3/2010 Kwon et al.

JP D1314375 S 11/2007  
JP D1285102 S 6/2009  
KR 30-0429527 S 11/2006  
KR 30-0529899 S 6/2009

\* cited by examiner

FIG.1

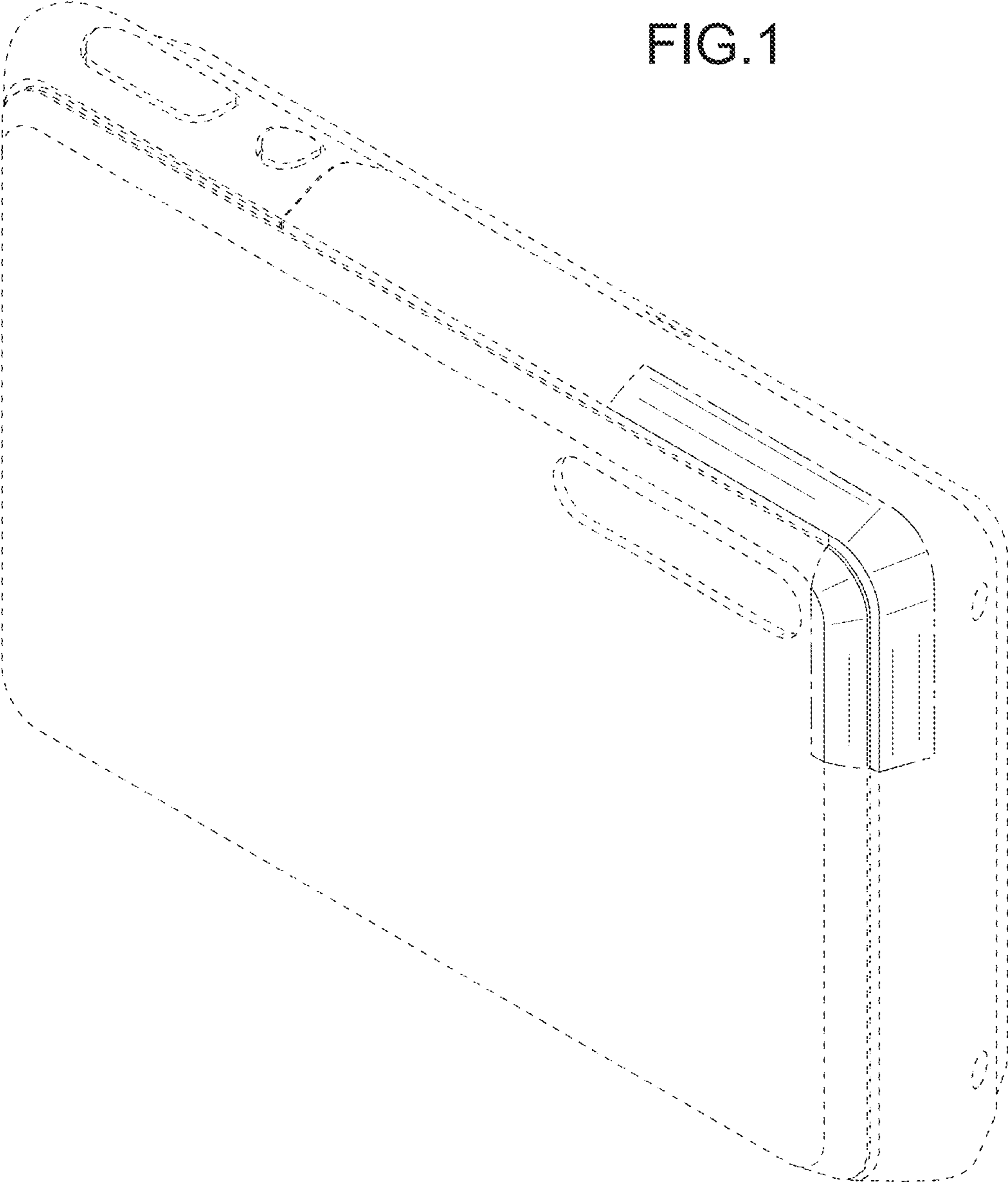


FIG.2

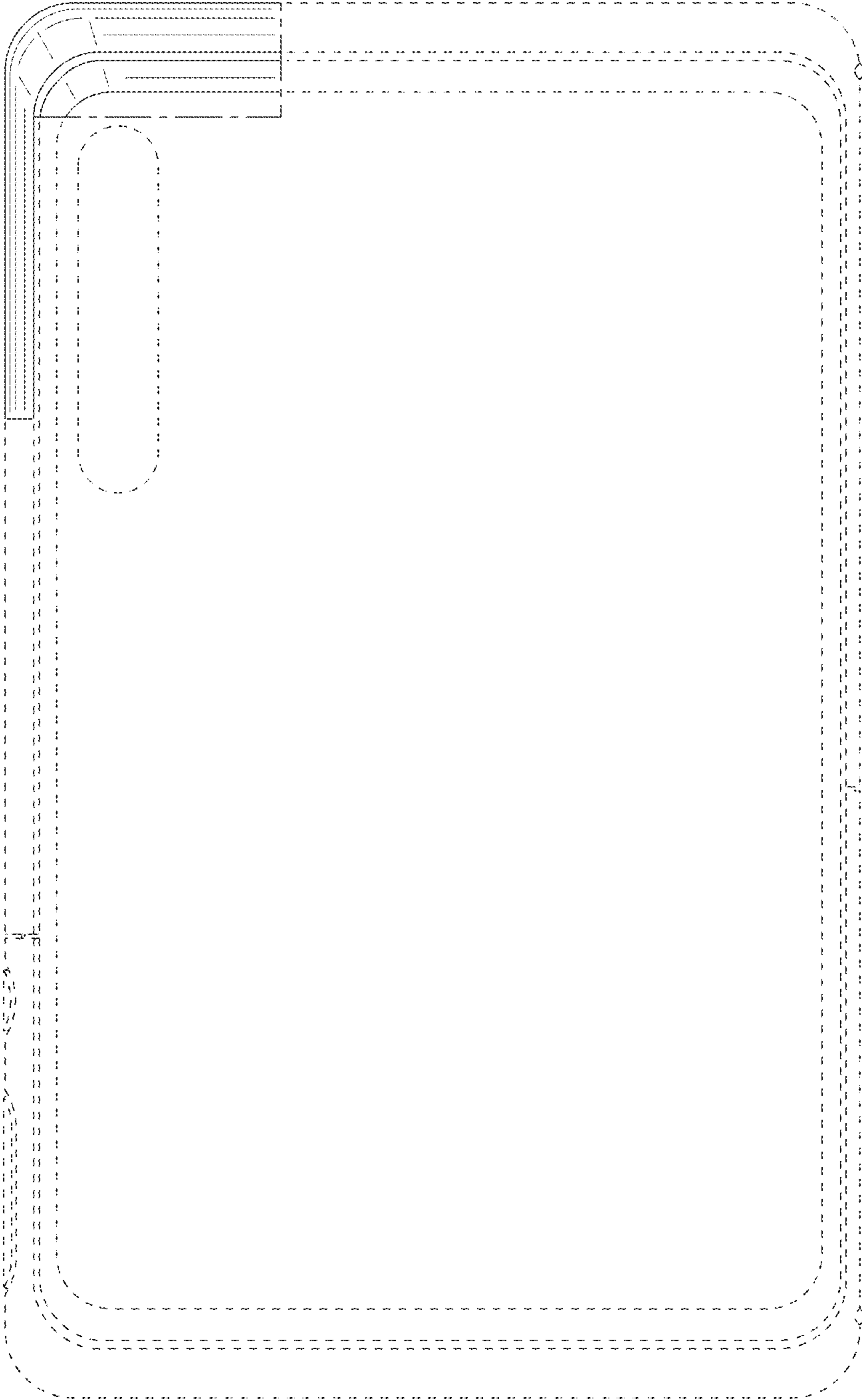


FIG. 3

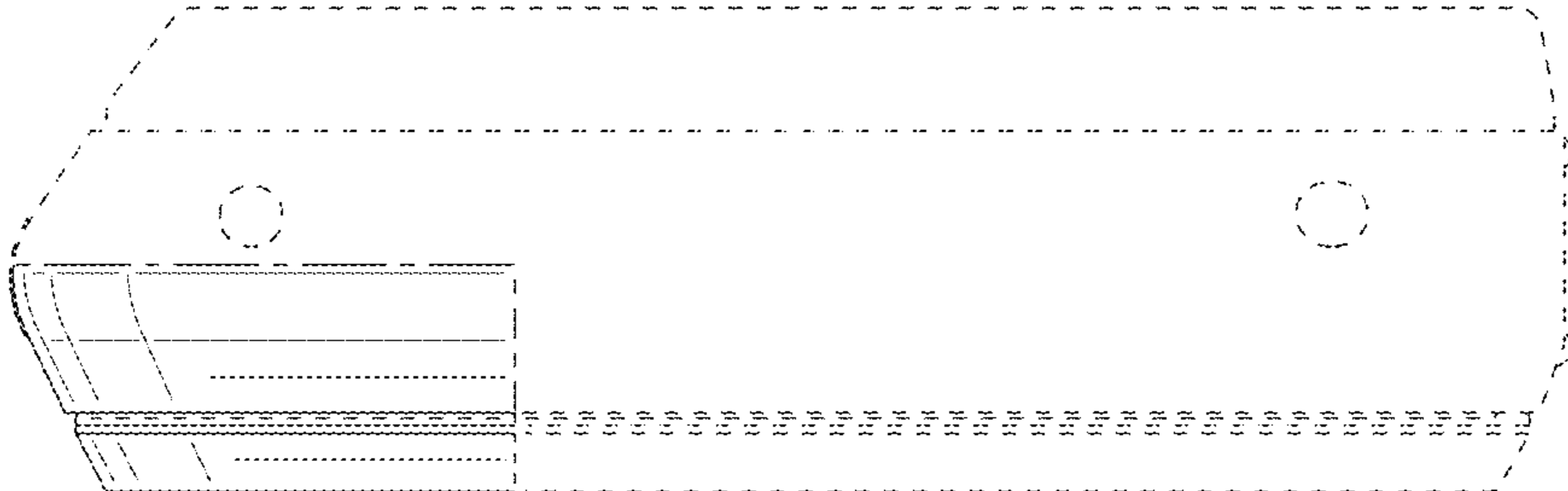


FIG.4

