



US00D704756S

(12) **United States Design Patent**
Voelker

(10) **Patent No.:** **US D704,756 S**

(45) **Date of Patent:** **** May 13, 2014**

(54) **GEAR**

(71) Applicant: **Wittenstein AG**, Igersheim (DE)

(72) Inventor: **Klaus Voelker**, Igersheim (DE)

(73) Assignee: **Wittenstein AG**, Igersheim (DE)

(**) Term: **14 Years**

(21) Appl. No.: **29/438,158**

(22) Filed: **Nov. 27, 2012**

(51) **LOC (10) Cl.** **15-09**

(52) **U.S. Cl.**
USPC **D15/148**

(58) **Field of Classification Search**
USPC D15/5, 148, 149, 199; 74/395, 464;
280/5.5-5.524; 427/249.19; 428/408;
475/83, 331-335, 344, 345, 901
See application file for complete search history.

(56) **References Cited**

U.S. PATENT DOCUMENTS

D262,032 S * 11/1981 Totsu D15/138
6,432,022 B1 * 8/2002 Bayer 475/331
D479,541 S * 9/2003 Lannoch D15/148

D529,939 S * 10/2006 Wilhelm et al. D15/148
7,182,709 B2 * 2/2007 Christ et al. 475/348
D598,938 S * 8/2009 Mijno D15/148
D618,263 S * 6/2010 Siegfried D15/148
D681,706 S * 5/2013 Savill, Jr. D15/144
D685,404 S * 7/2013 Andersson D15/148
2004/0166986 A1 * 8/2004 Bayer et al. 475/331
2009/0069145 A1 * 3/2009 Wang 475/344

* cited by examiner

Primary Examiner — Patricia Palasik

(74) *Attorney, Agent, or Firm* — Bachman & LaPointe, P.C.

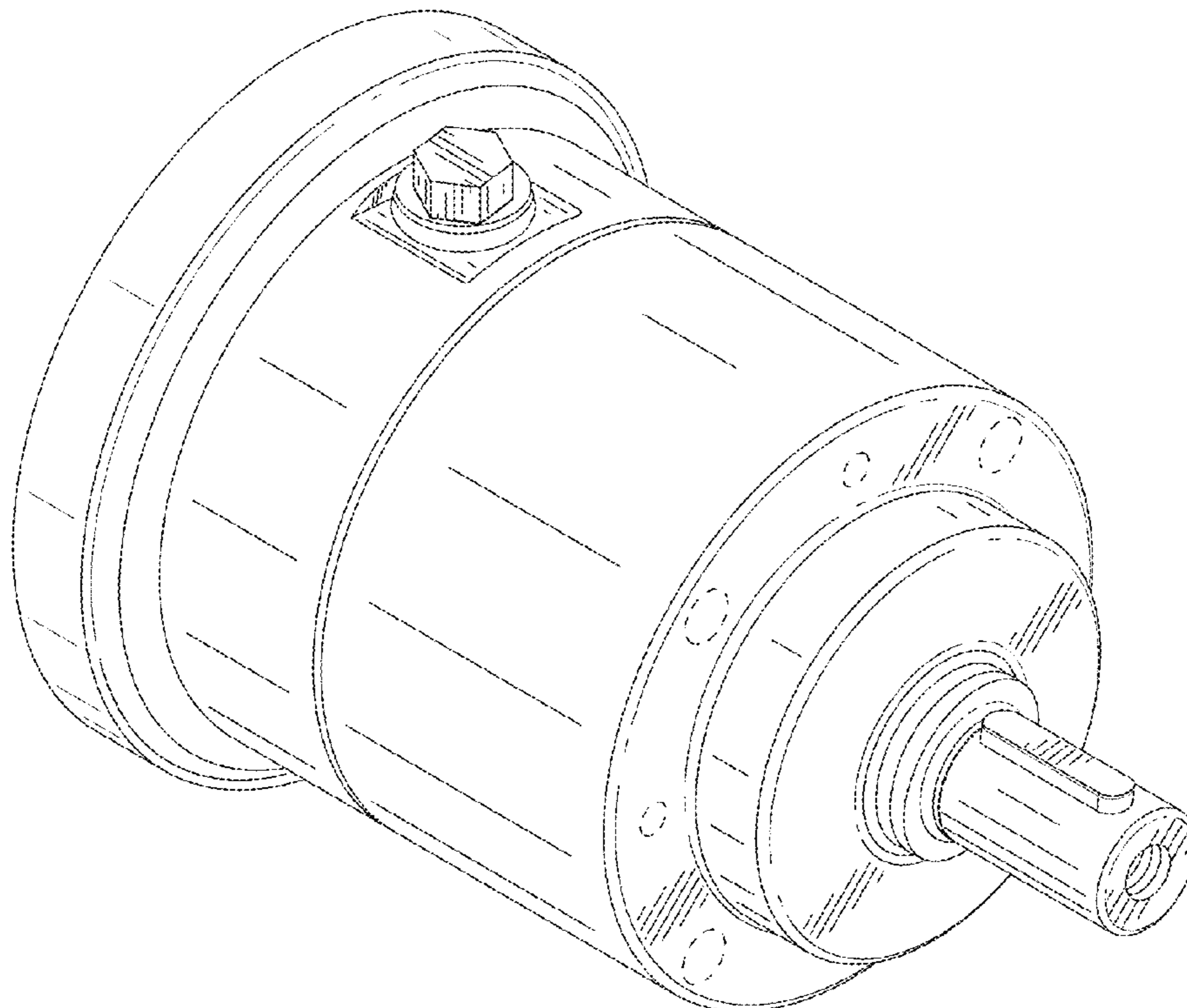
(57) **CLAIM**

The ornamental design for a gear, as shown.

DESCRIPTION

FIG. 1 is a perspective view of the gear.
FIG. 2 is a top view of the gear of FIG. 1.
FIG. 3 is a bottom view of the gear of FIG. 1.
FIG. 4 is a left side view of the gear of FIG. 1.
FIG. 5 is a right side view of the gear of FIG. 1.
FIG. 6 is a front view of the gear of FIG. 1; and,
FIG. 7 is a rear view of the gear of FIG. 1.
The broken lines in the drawings depict unclaimed environmental subject matter.

1 Claim, 7 Drawing Sheets



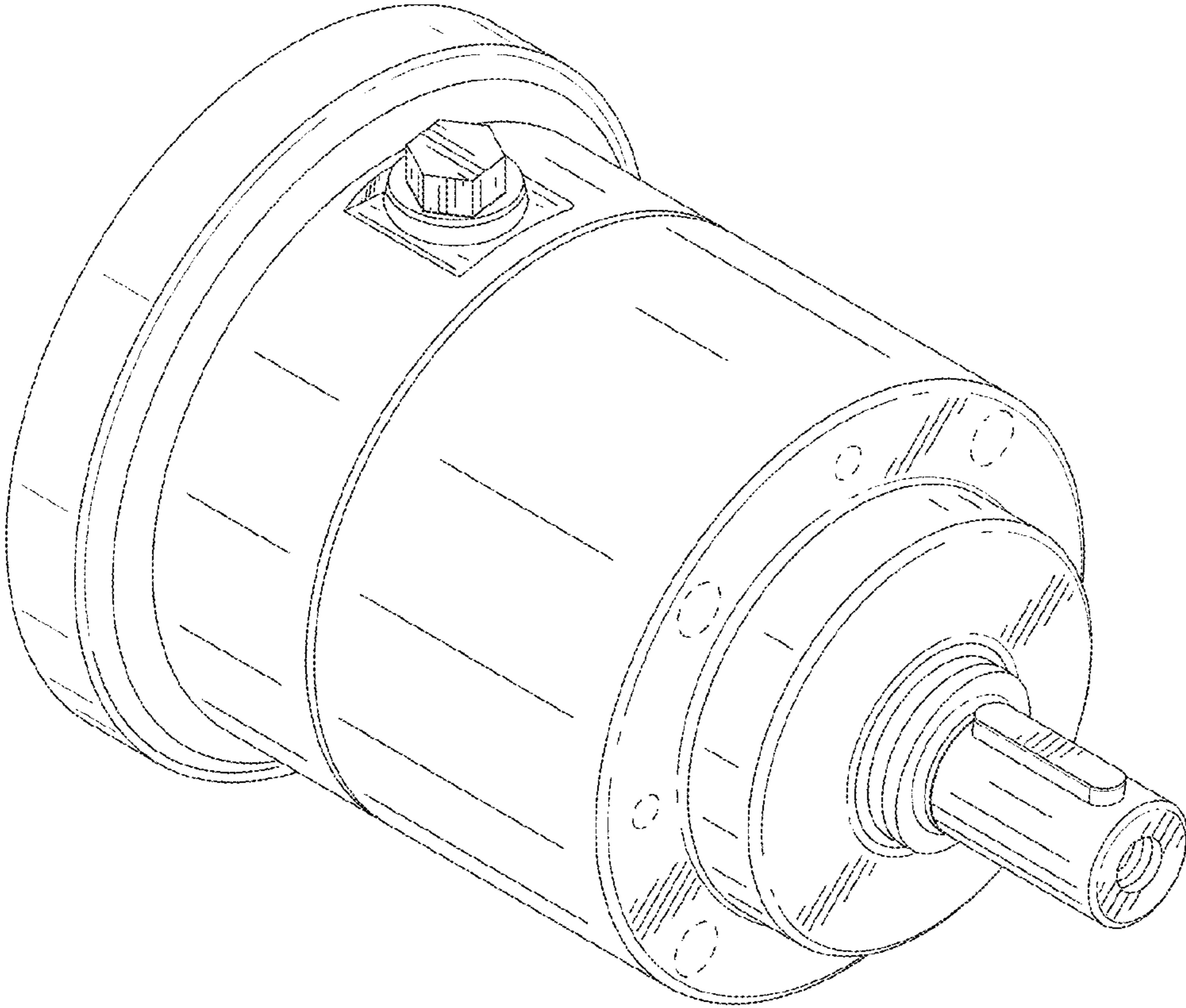


FIG. 1

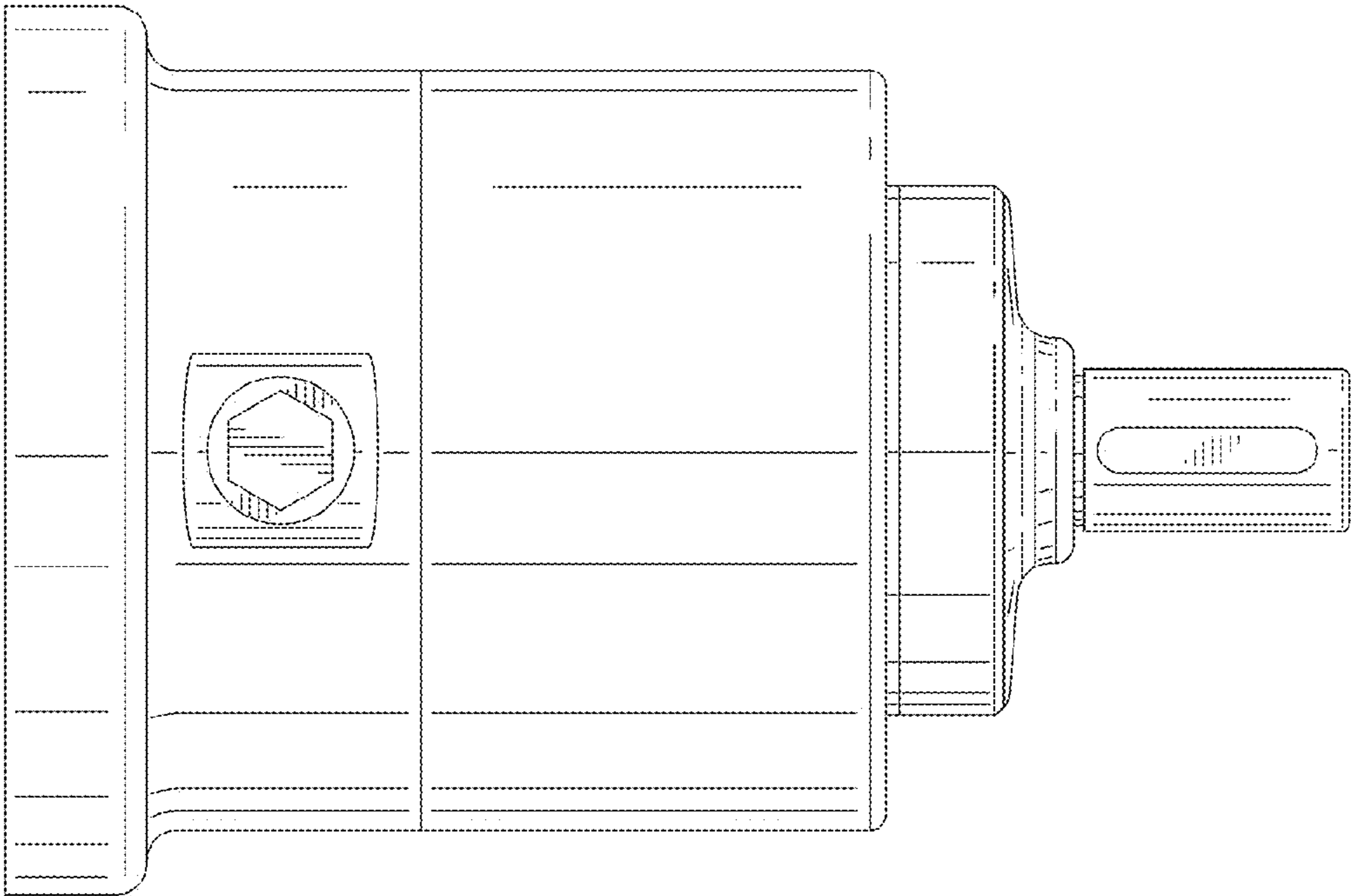


FIG. 2

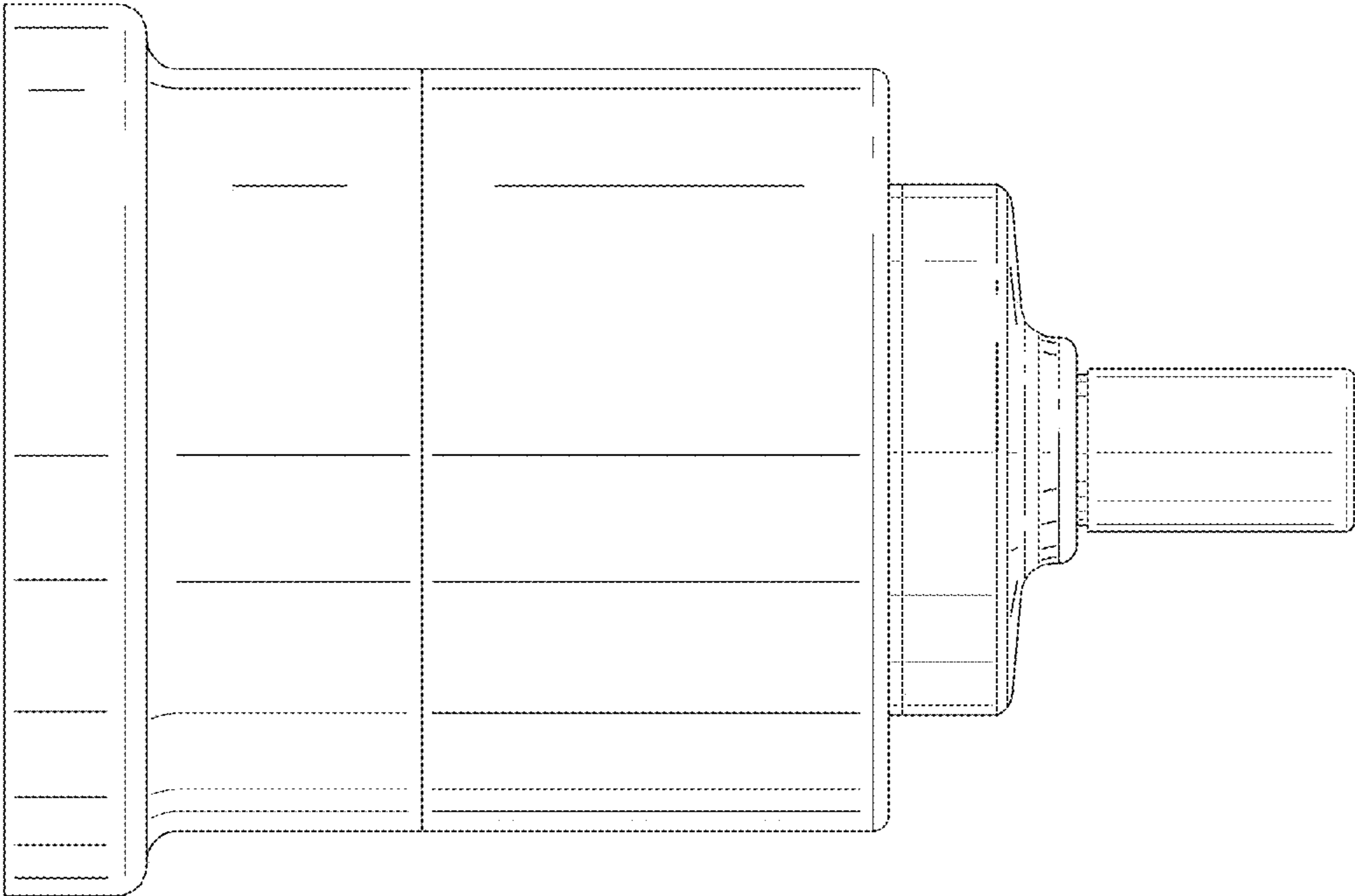


FIG. 3

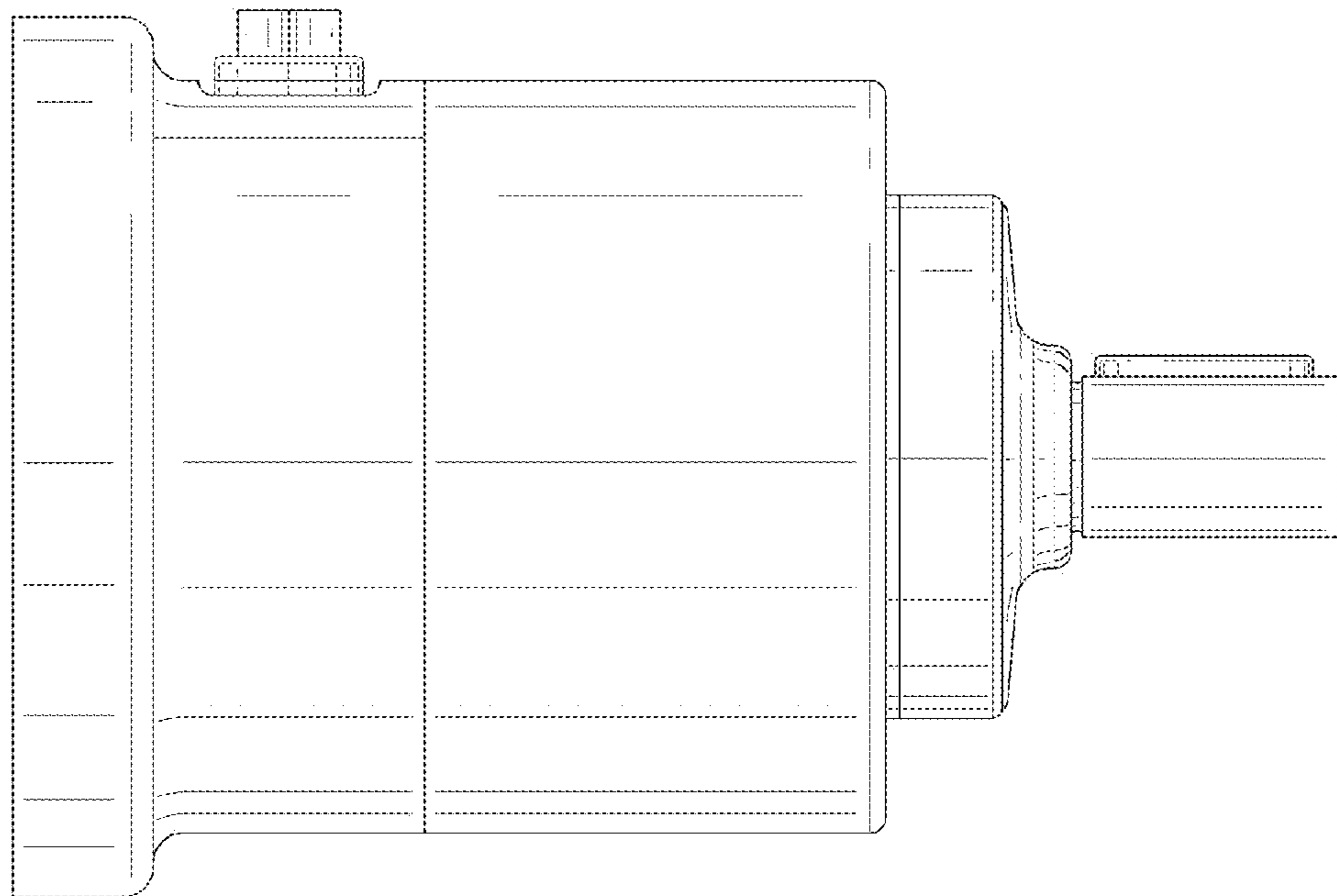


FIG. 4

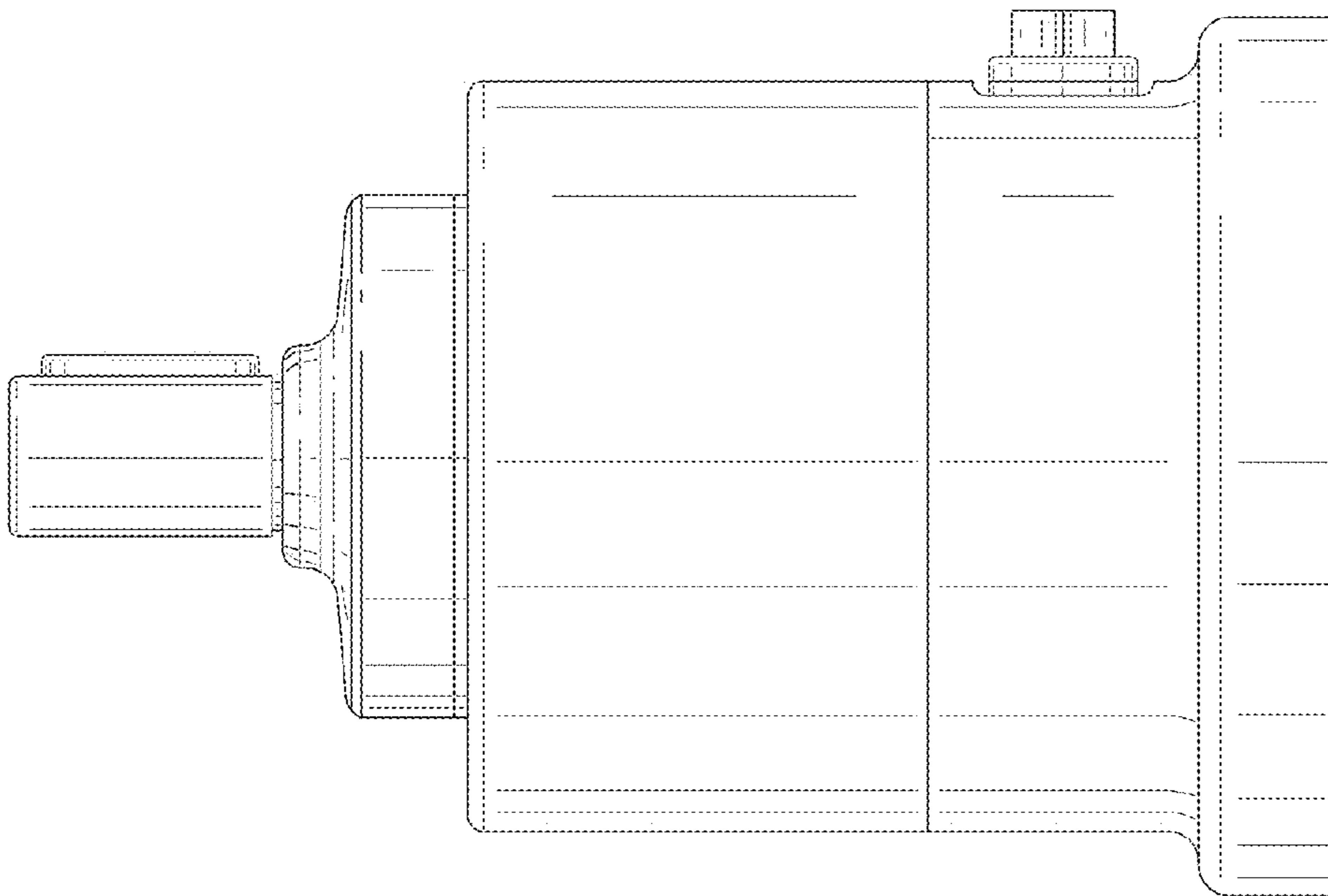


FIG. 5

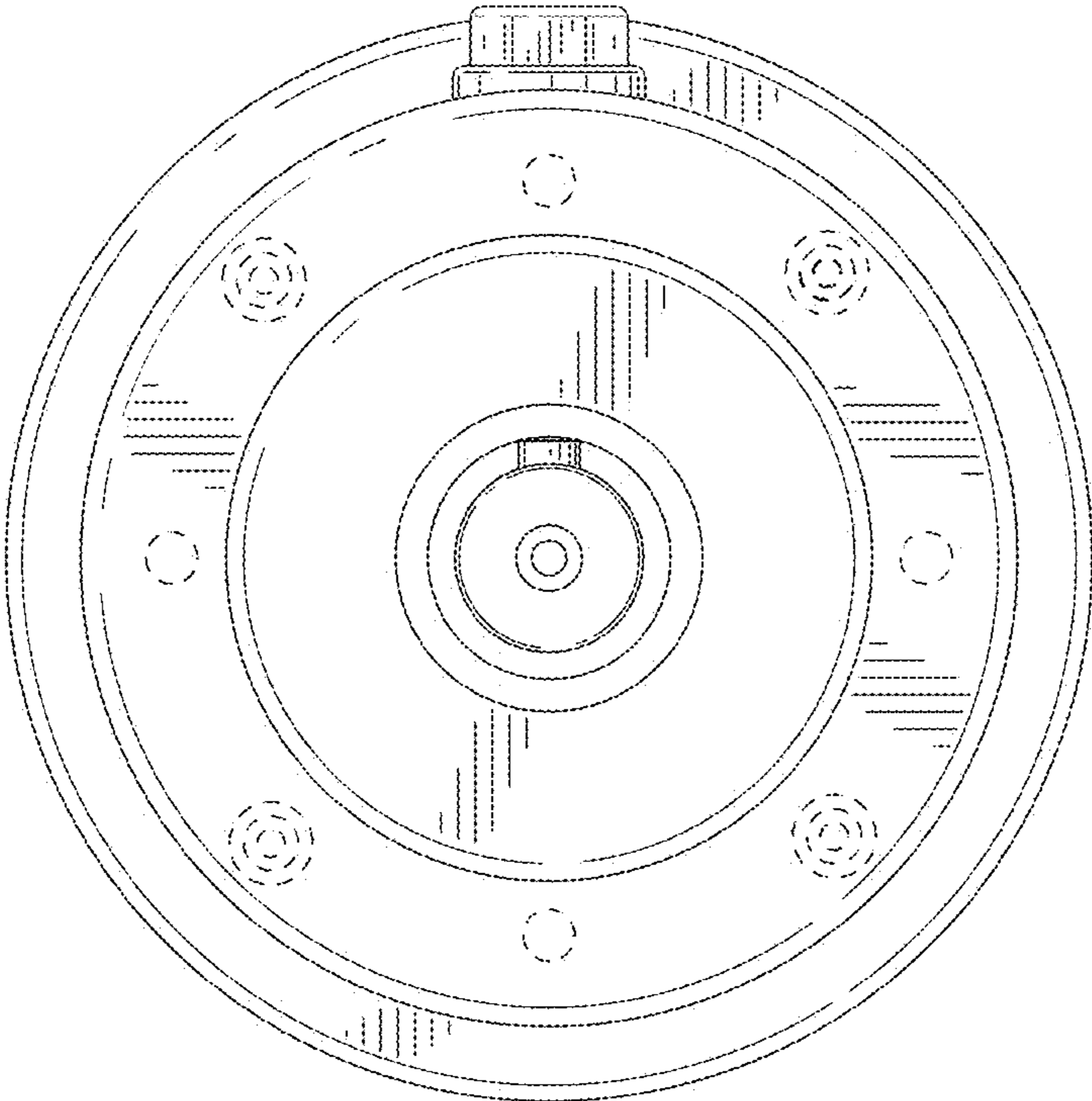


FIG. 6

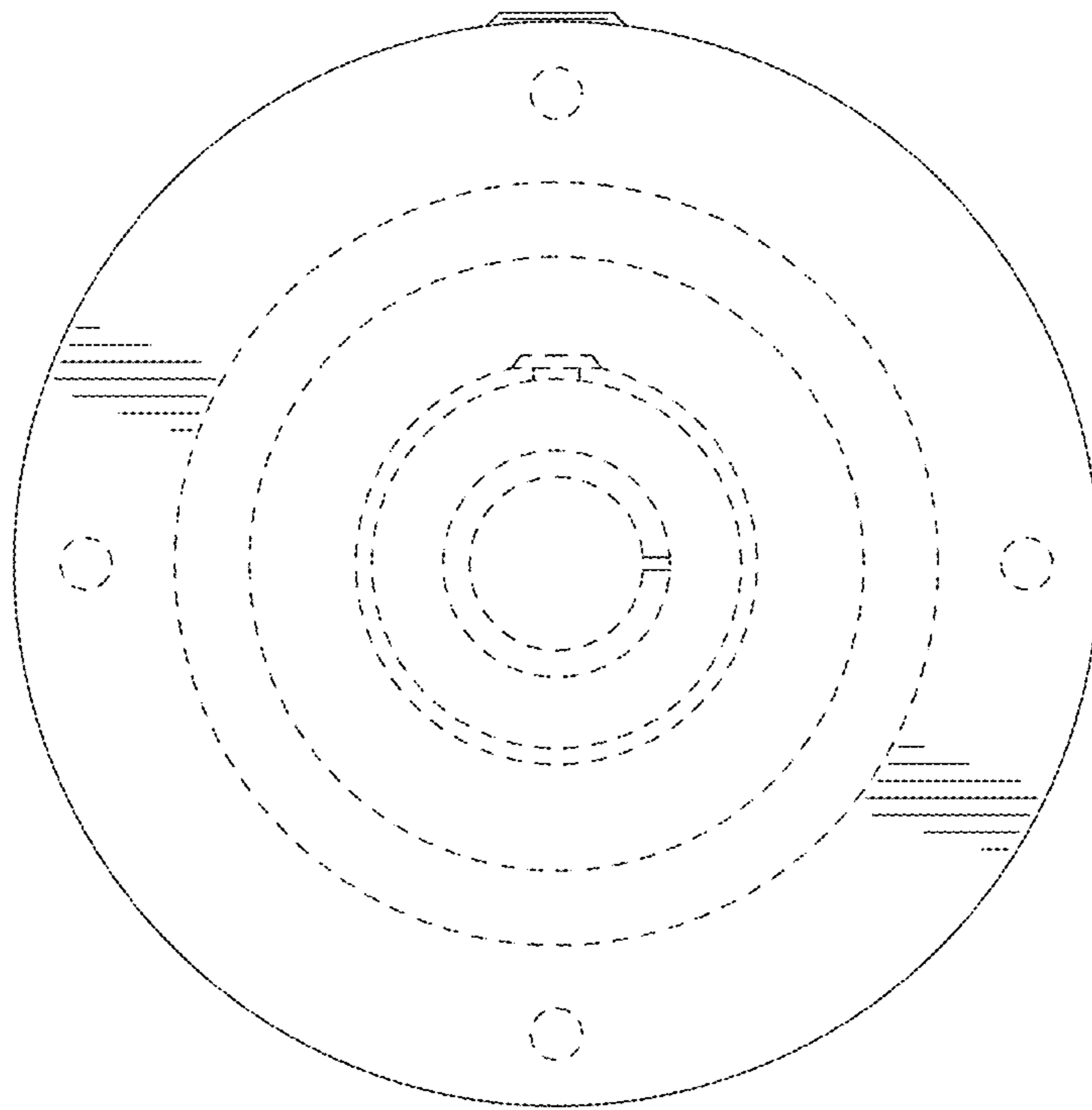


FIG. 7