



US00D704755S

(12) **United States Design Patent**  
**Tempel**

(10) **Patent No.:** **US D704,755 S**  
(45) **Date of Patent:** **\*\* May 13, 2014**

- (54) **TOOL HOLDER**
- (71) Applicant: **Daryl K. Tempel**, Tampa, FL (US)
- (72) Inventor: **Daryl K. Tempel**, Tampa, FL (US)
- (\*\*) Term: **14 Years**
- (21) Appl. No.: **29/421,824**
- (22) Filed: **Sep. 28, 2012**
- (51) **LOC (10) Cl.** ..... **15-09**
- (52) **U.S. Cl.**  
USPC ..... **D15/140**
- (58) **Field of Classification Search**  
USPC ..... D8/41, 70, 71, 98, 99, 100; D15/139,  
D15/140; 30/2, 160, 164.9, 164.95, 171,  
30/287, 294, 329, 353; 407/3-6, 81-84,  
407/90, 92, 101, 102, 104, 105, 107, 110,  
407/113, 114  
See application file for complete search history.

6,299,388	B1 *	10/2001	Slabe	.....	407/11
6,457,914	B1 *	10/2002	Andras et al.	.....	407/105
6,739,808	B1 *	5/2004	Ghosh	.....	407/114
D539,316	S *	3/2007	Tempel	.....	D15/139
D558,802	S *	1/2008	Nicholas	.....	D15/140
7,422,395	B2 *	9/2008	Huang	.....	407/107

**FOREIGN PATENT DOCUMENTS**

DE	19638177	A1 *	3/1997	.....	B23B 27/00
EP	616867	A2 *	9/1994	.....	B23B 27/04
JP	2002066809	A *	3/2002	.....	B23B 27/00
JP	2003094209	A *	4/2003	.....	B23B 27/16
JP	2003127002	A *	5/2003	.....	B23B 27/00

\* cited by examiner

*Primary Examiner* — Philip S Hyder  
*Assistant Examiner* — Darlington Ly

(57) **CLAIM**  
I claim; The ornamental design for a tool holder, as shown and described.

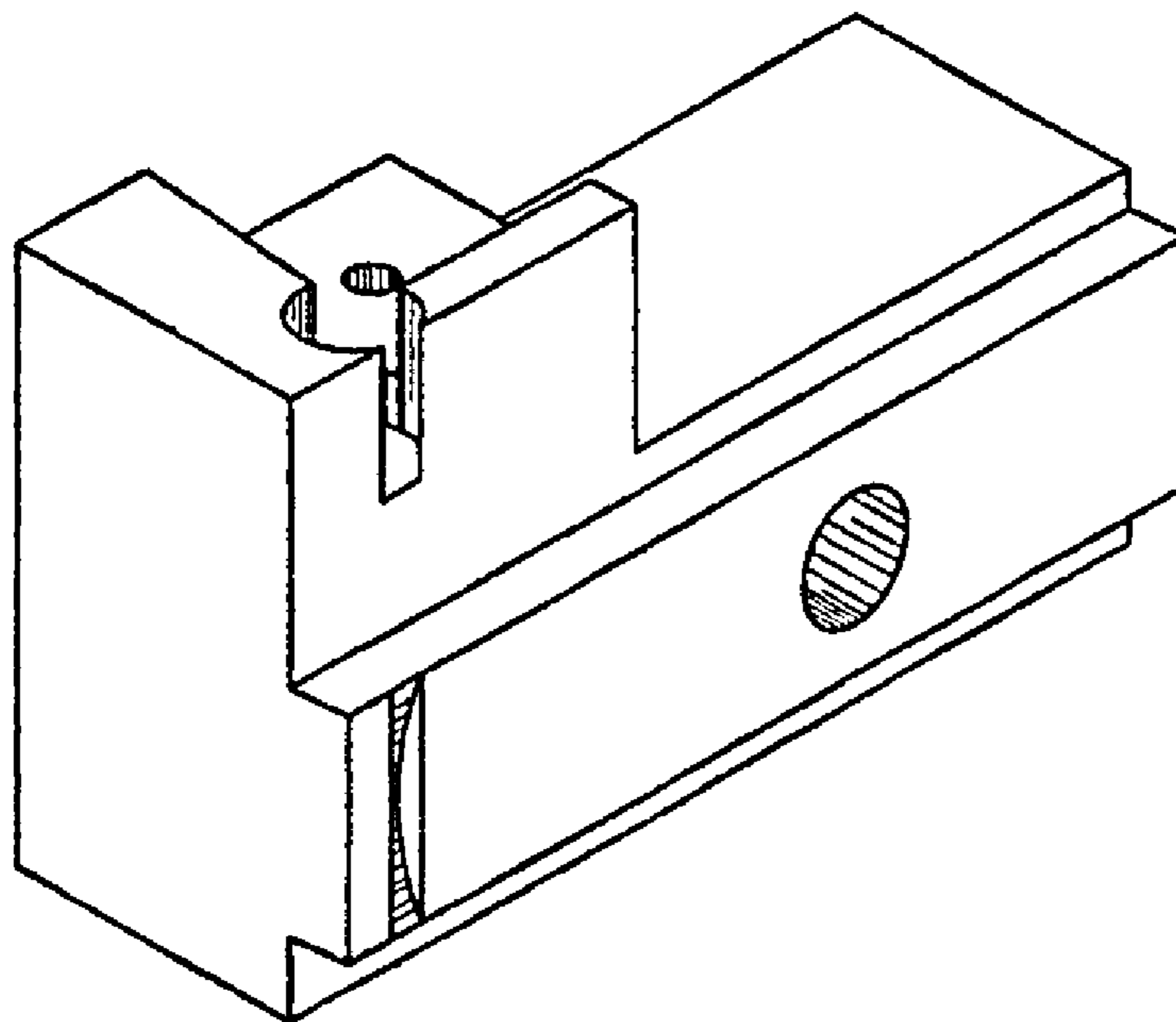
(56) **References Cited**  
**U.S. PATENT DOCUMENTS**

3,268,977	A *	8/1966	Diemond	.....	407/5
3,320,654	A *	5/1967	Lovendahl	.....	407/104
3,864,799	A *	2/1975	McCreery et al.	.....	407/101
D270,059	S *	8/1983	Wilkins	.....	D15/139
4,470,732	A *	9/1984	Lindsay	.....	407/104
D311,194	S *	10/1990	Mihic	.....	D15/140
D317,392	S *	6/1991	Mihic	.....	D8/41

**DESCRIPTION**

FIG. 1 is a top view of tool holder;  
FIG. 2 is a front view of the tool holder;  
FIG. 3 is the right-end view of the tool holder;  
FIG. 4 is the front perspective view of the tool holder; and,  
FIG. 5 is a rear perspective view of the tool holder.

**1 Claim, 2 Drawing Sheets**



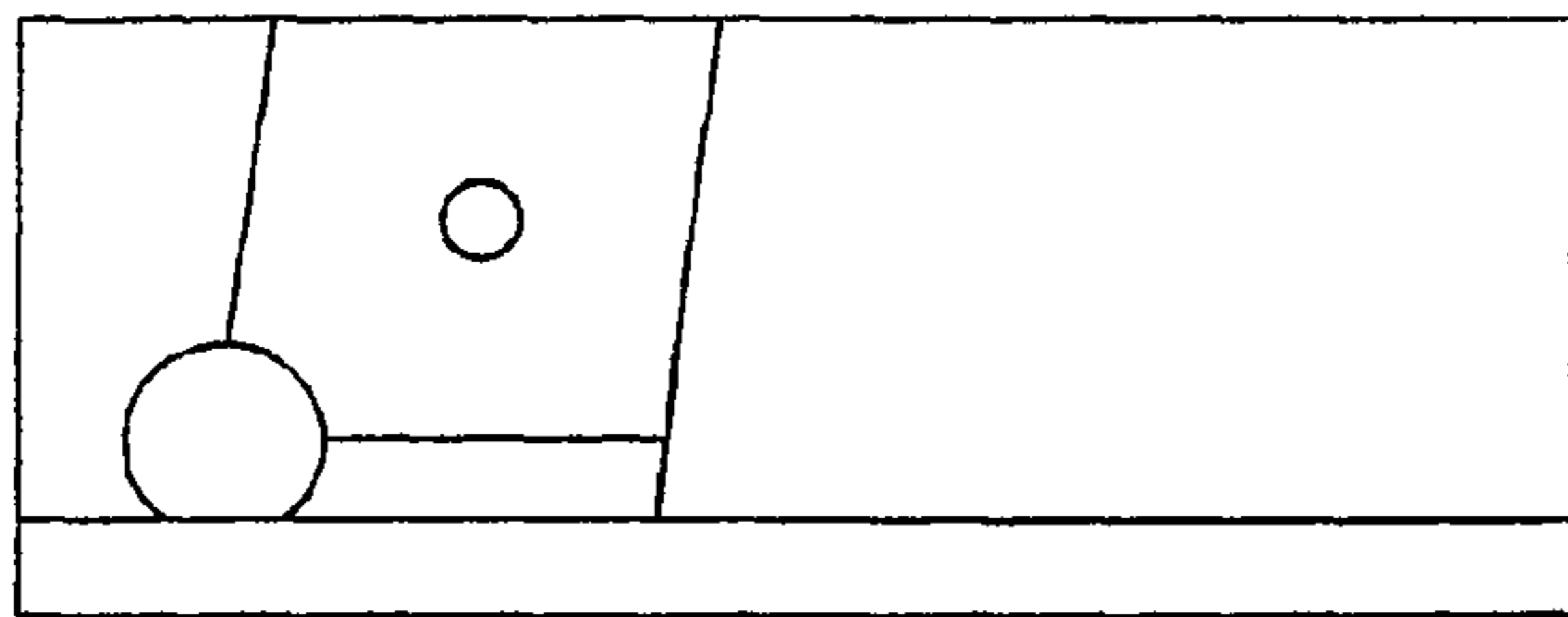


Fig. 1

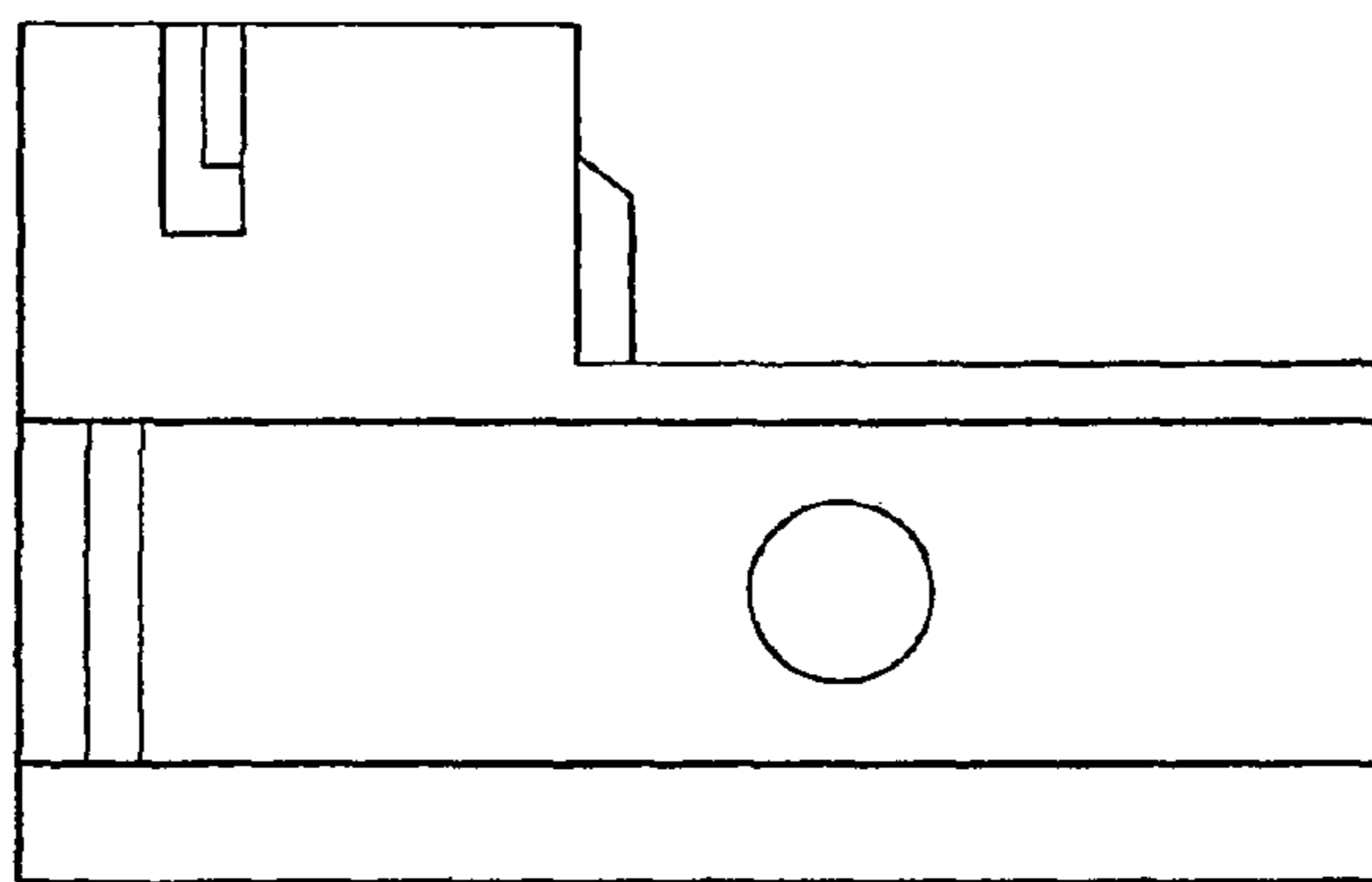


Fig. 2

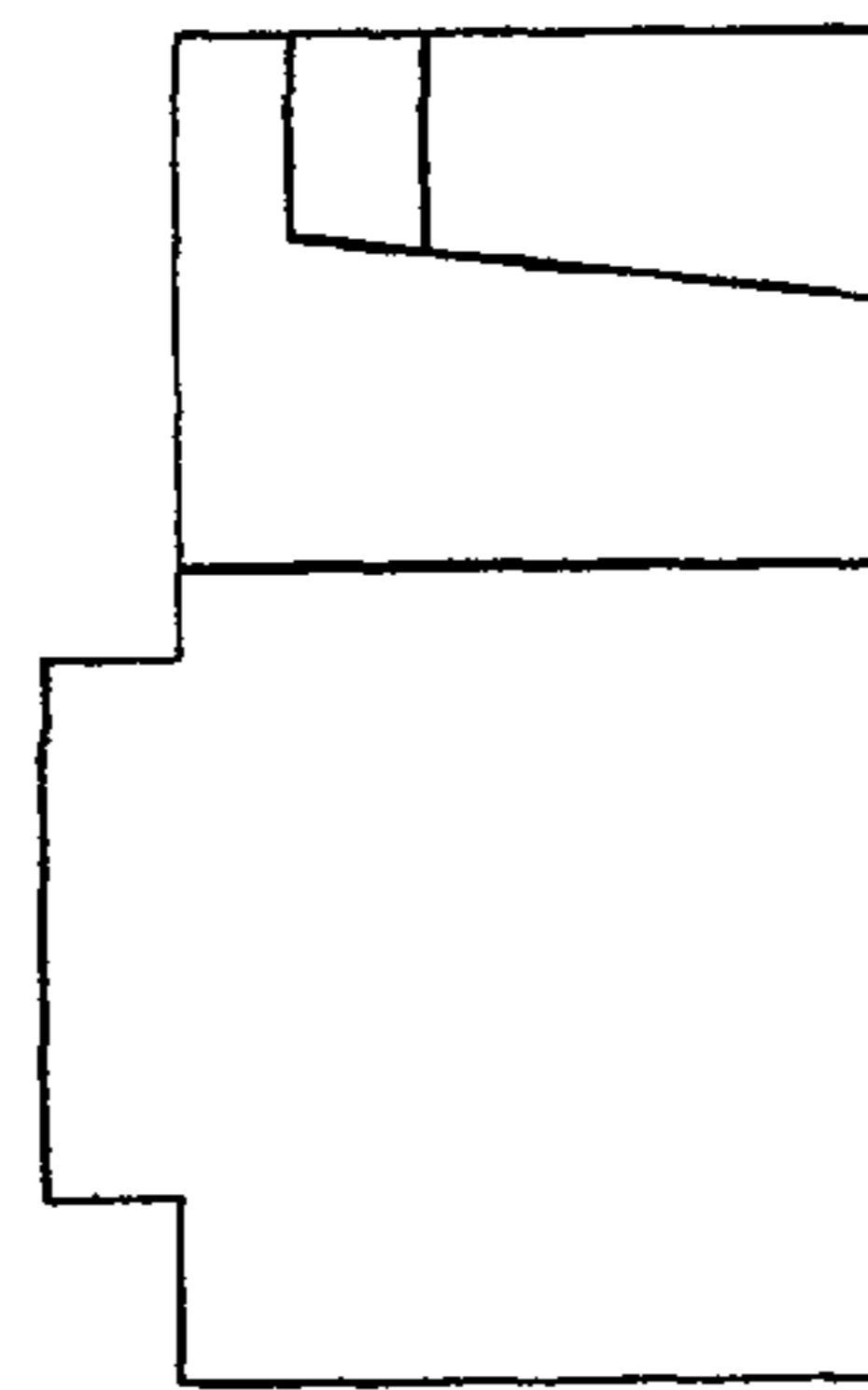


Fig. 3

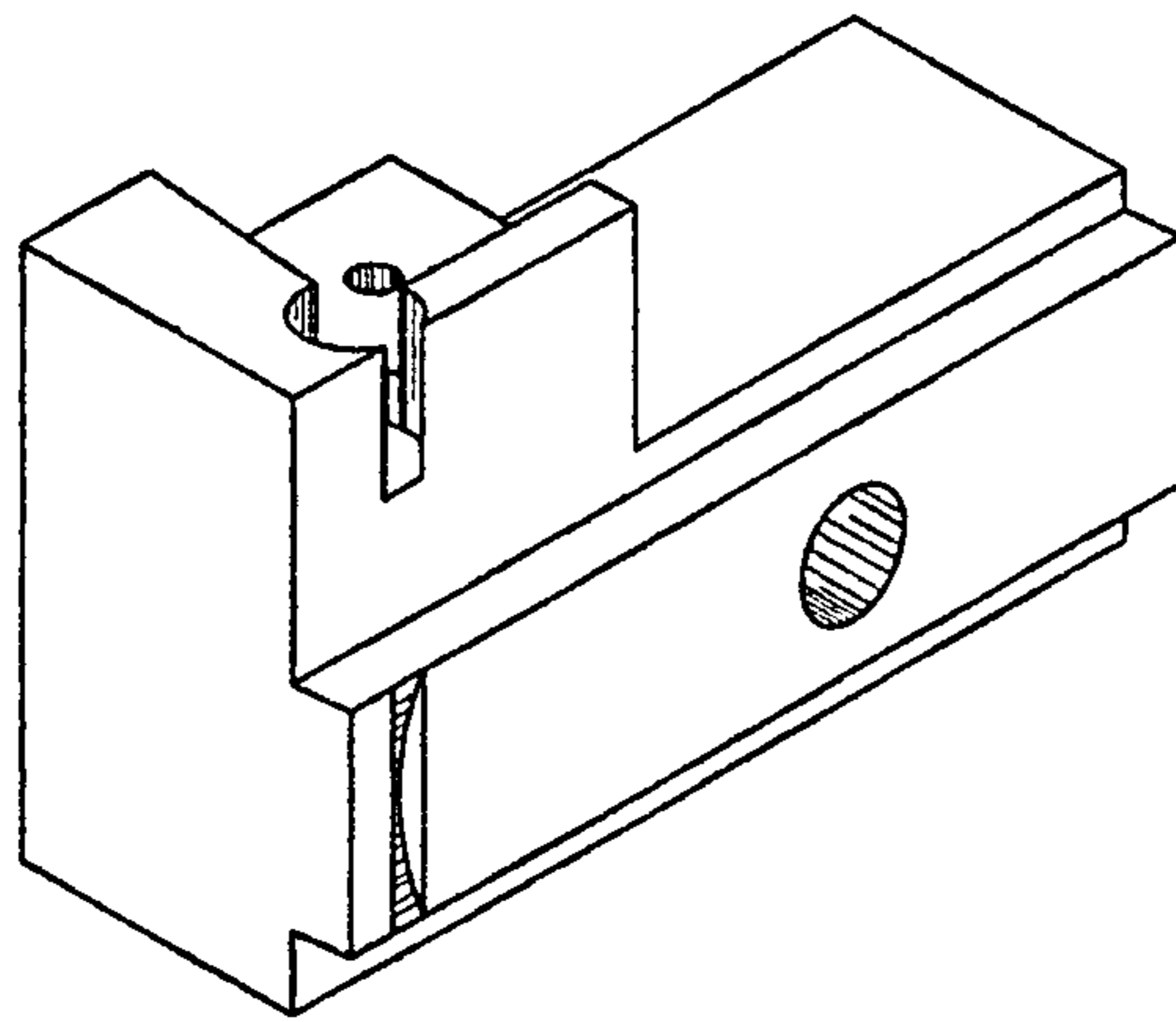


Fig. 4

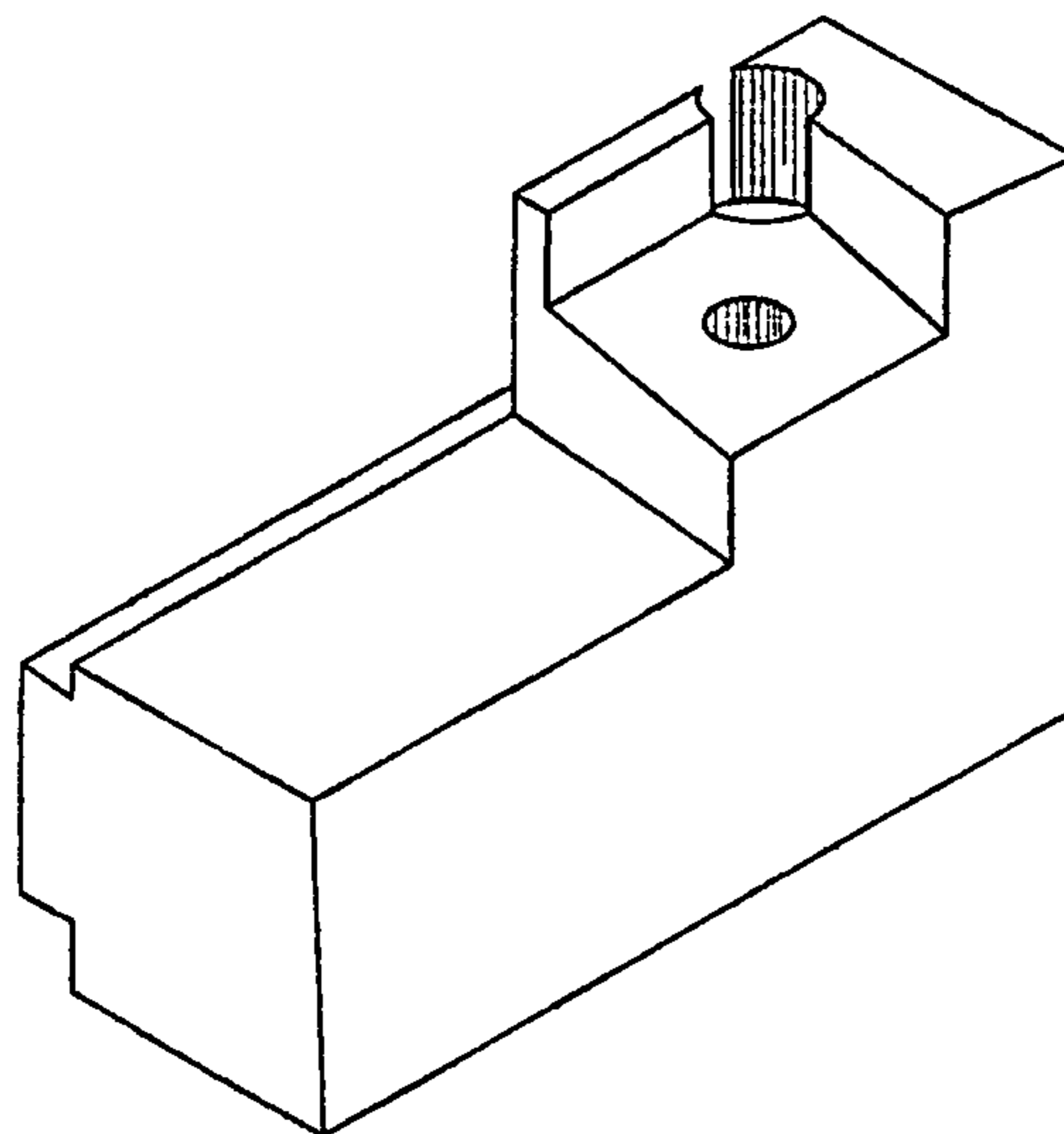


Fig. 5