



US00D704753S

(12) **United States Design Patent**
Hiroki

(10) **Patent No.:** **US D704,753 S**

(45) **Date of Patent:** **** May 13, 2014**

(54) **SUBSTRATE CONVEYER FOR A SUBSTRATE PROCESSING DEVICE**

Primary Examiner — Patricia Palasik
(74) *Attorney, Agent, or Firm* — Leydig, Voit & Mayer, Ltd.

(75) **Inventor:** **Tsutomu Hiroki**, Nirasaki (JP)

(57) **CLAIM**
The ornamental design for a substrate conveyer for a substrate processing device, as shown and described.

(73) **Assignee:** **Tokyo Electron Limited**, Tokyo (JP)

(**) **Term:** **14 Years**

DESCRIPTION

(21) **Appl. No.:** **29/424,906**

FIG. 1 is a front view of a substrate conveyer for a substrate processing device of the present invention.

(22) **Filed:** **Jun. 18, 2012**

FIG. 2 is a rear view of the substrate conveyer for a substrate processing device of FIG. 1.

(30) **Foreign Application Priority Data**

Dec. 20, 2011 (JP) D2011-029519

FIG. 3 is a top plan view of the substrate conveyer for a substrate processing device of FIG. 1.

(51) **LOC (10) Cl.** **15-09**

FIG. 4 is a bottom view of the substrate conveyer for a substrate processing device of FIG. 1.

(52) **U.S. Cl.**
USPC **D15/122**

FIG. 5 is a right side view of the substrate conveyer for a substrate processing device of FIG. 1.

(58) **Field of Classification Search**
USPC D13/182; D15/122, 129; 74/490.04;
204/298.23; 414/744.5

FIG. 6 is a left side view of the substrate conveyer for a substrate processing device of FIG. 1.

See application file for complete search history.

FIG. 7 is a perspective view of the substrate conveyer for a substrate processing device of FIG. 1.

(56) **References Cited**

FIG. 8 is a reference view showing the substrate conveyer for a substrate processing device of FIG. 1 in use, wherein the substrate conveyer conveys substrates from a loader module to process modules; and,

U.S. PATENT DOCUMENTS

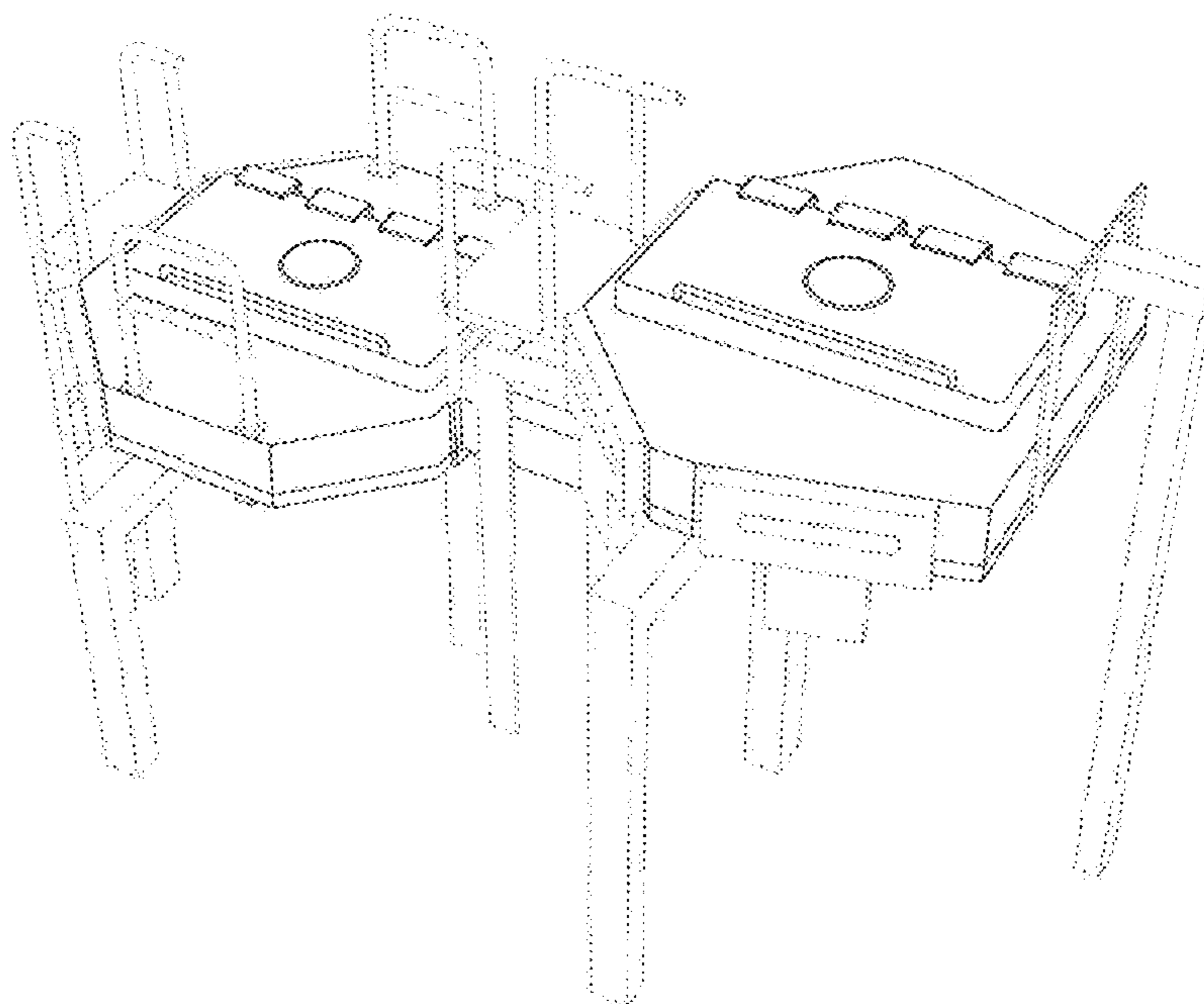
6,764,271	B2 *	7/2004	Momoki	414/744.5
7,192,241	B2 *	3/2007	Momoki	414/744.5
D676,882	S *	2/2013	Mueller	D15/122
2002/0094265	A1 *	7/2002	Momoki	414/744.5
2004/0131461	A1 *	7/2004	Momoki	414/744.5
2012/0160674	A1 *	6/2012	Aoki et al.	204/298.23

FIG. 9 is a reference view showing the substrate conveyer for a substrate processing device of FIG. 1 connected with a loader module.

The broken lines in the drawings depict unclaimed environmental subject matter.

* cited by examiner

1 Claim, 9 Drawing Sheets



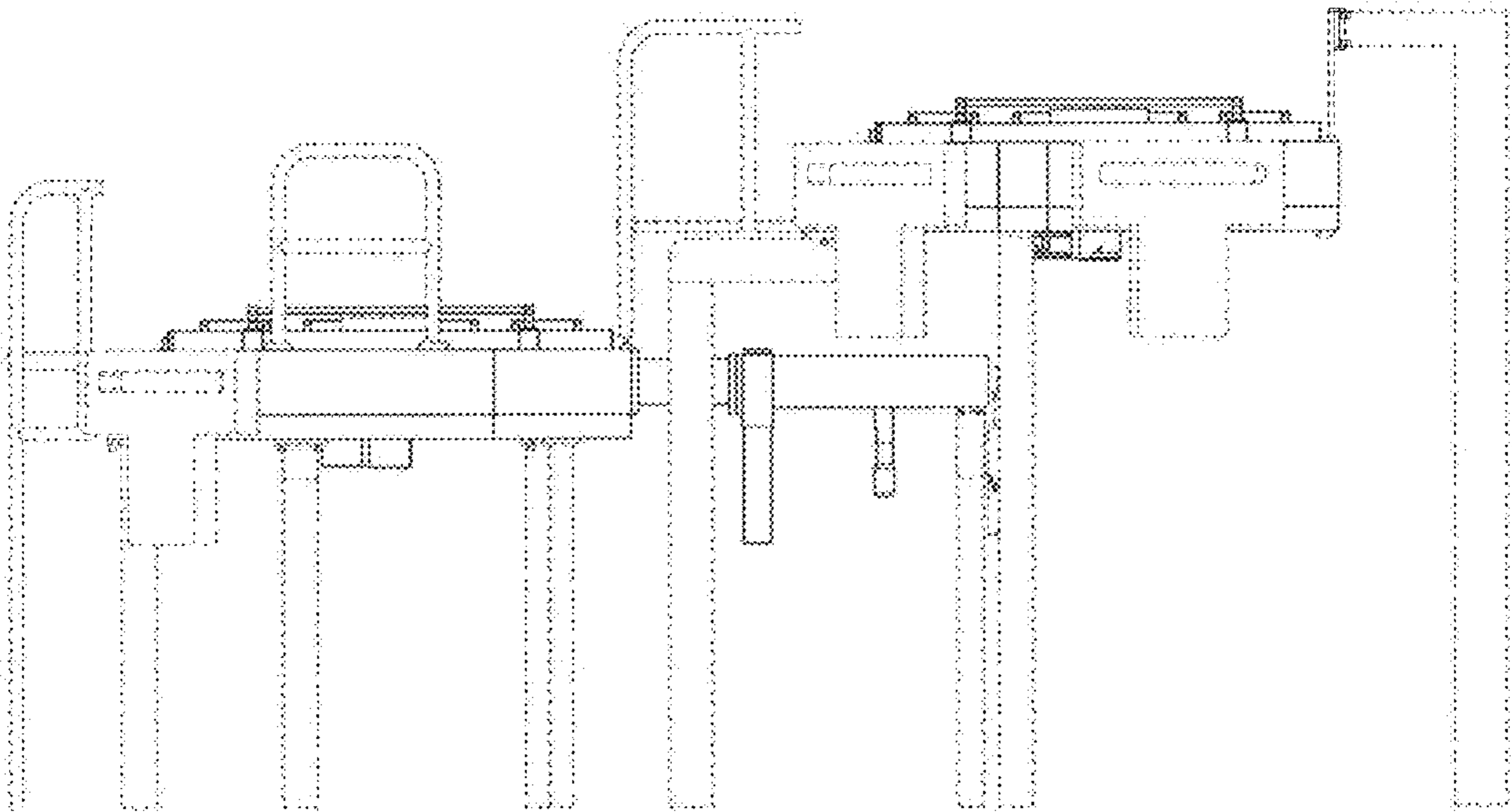


FIG. 1

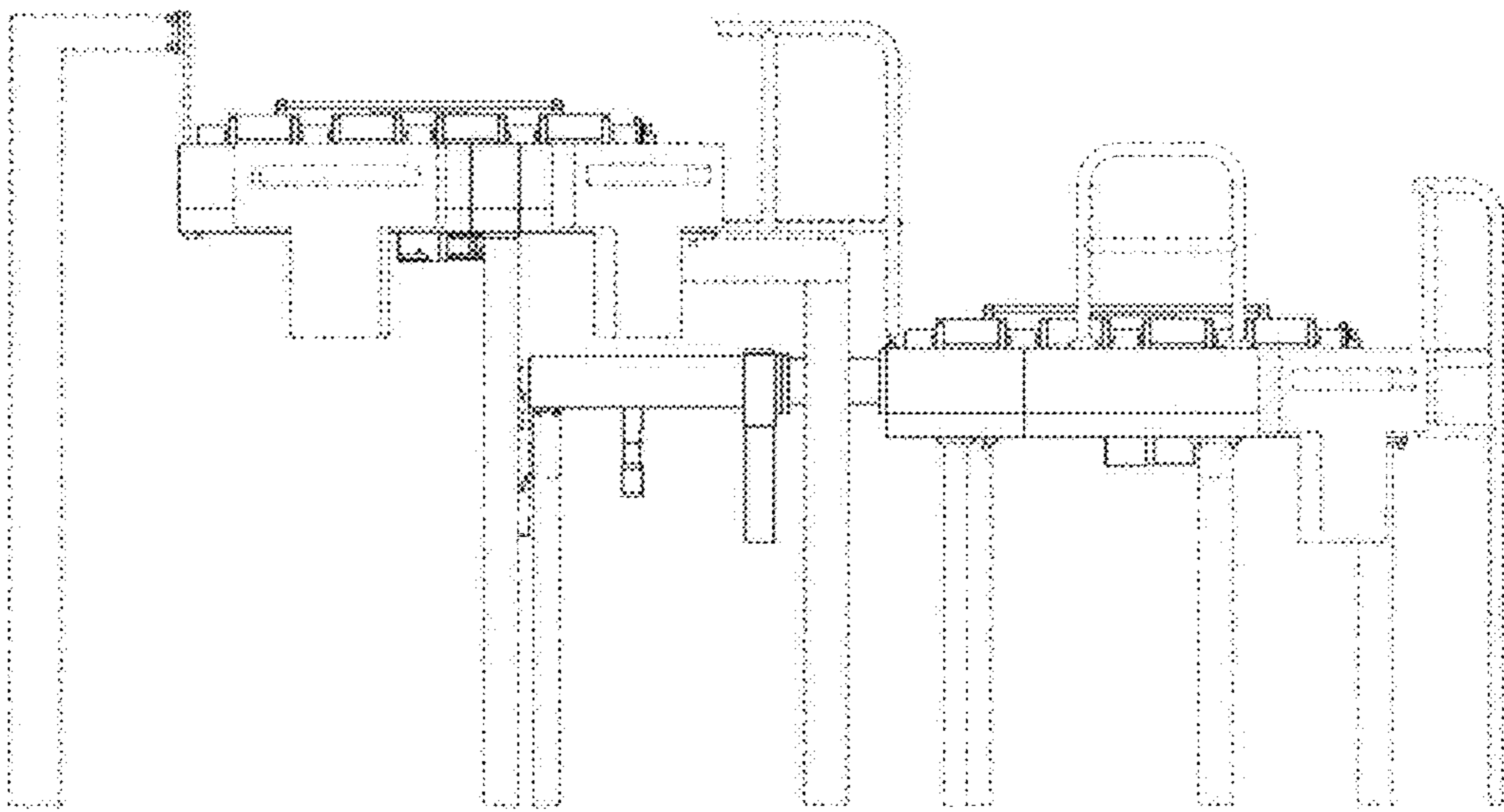


FIG. 2

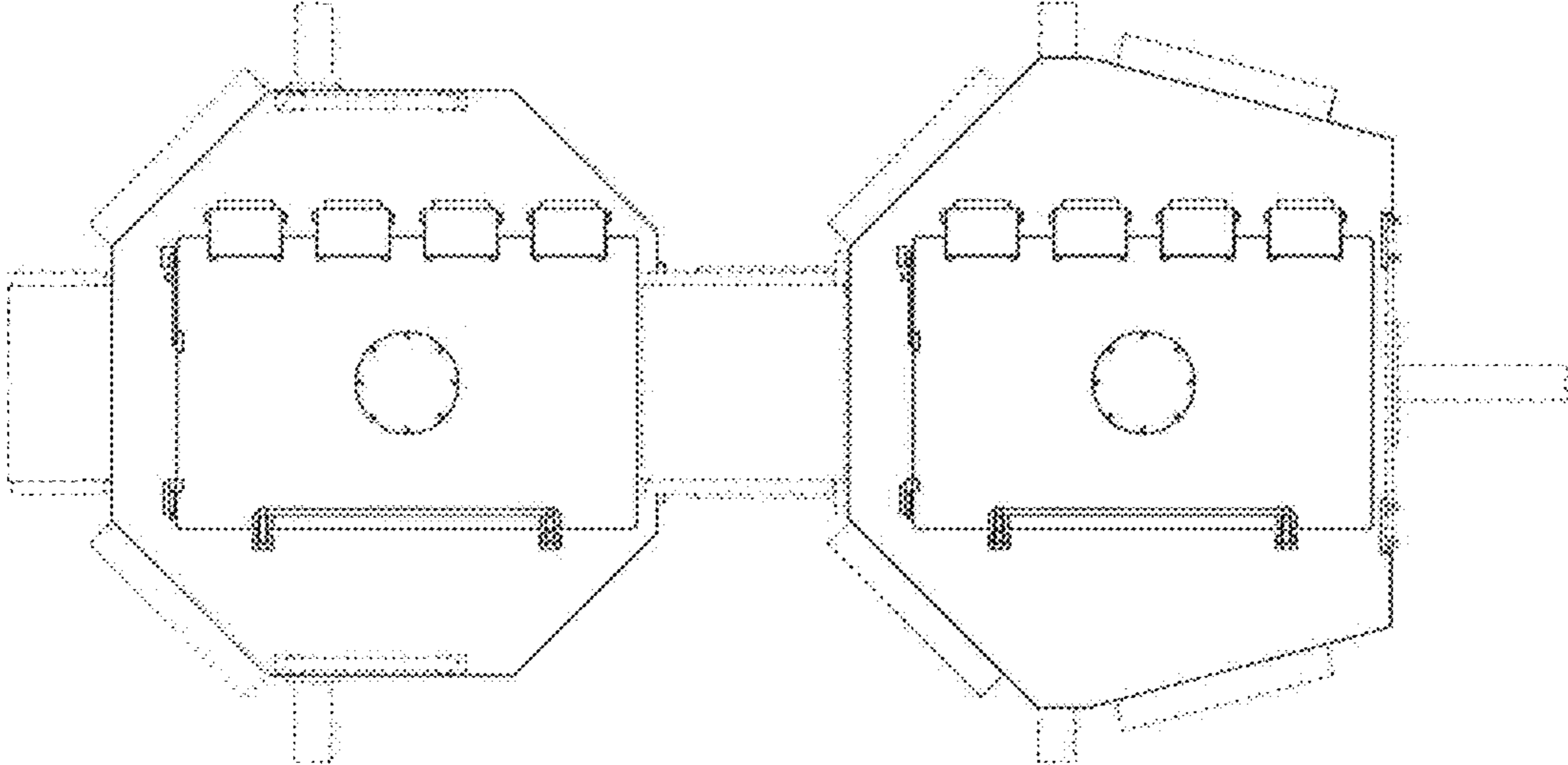


FIG.3

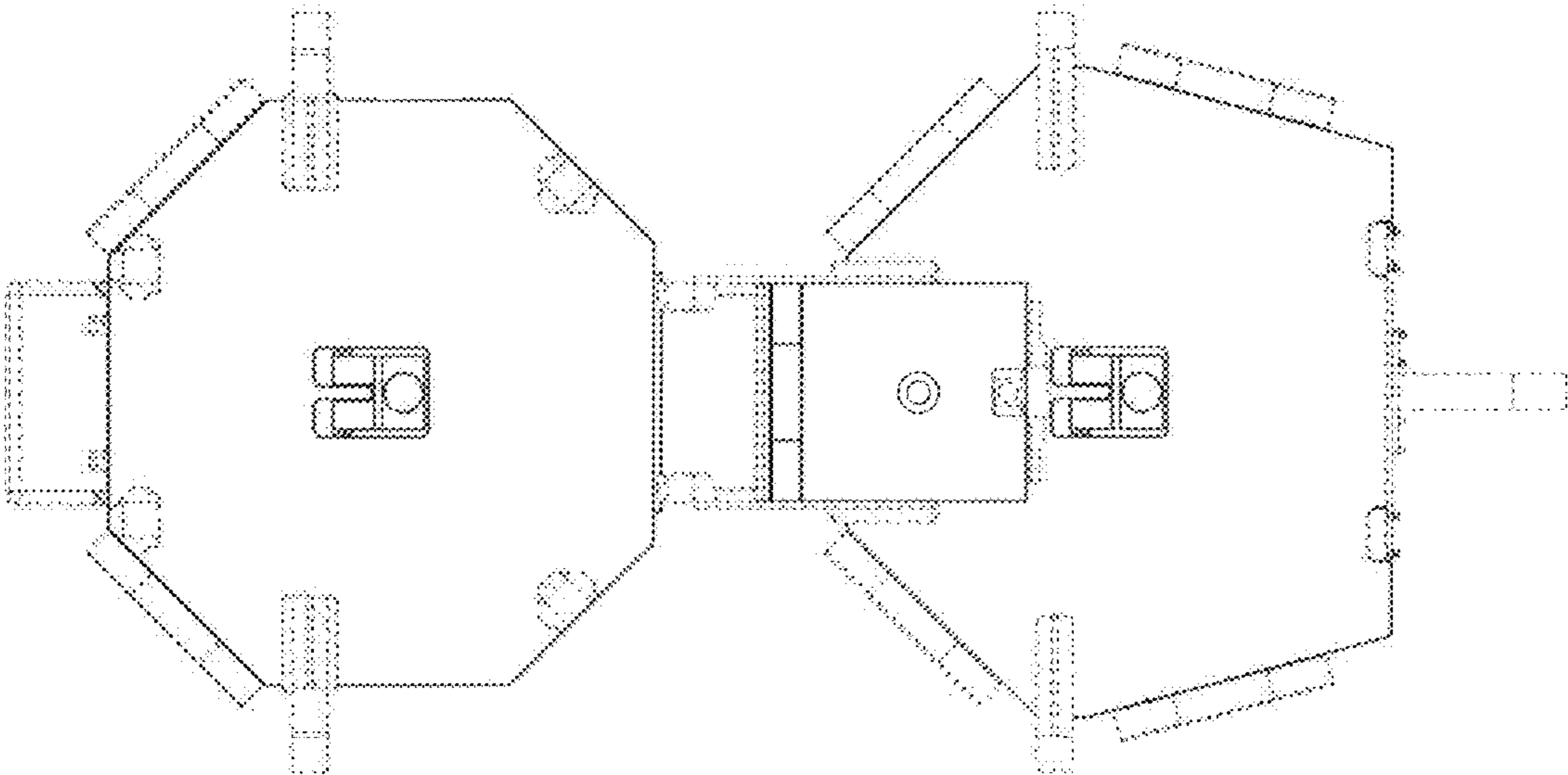


FIG.4

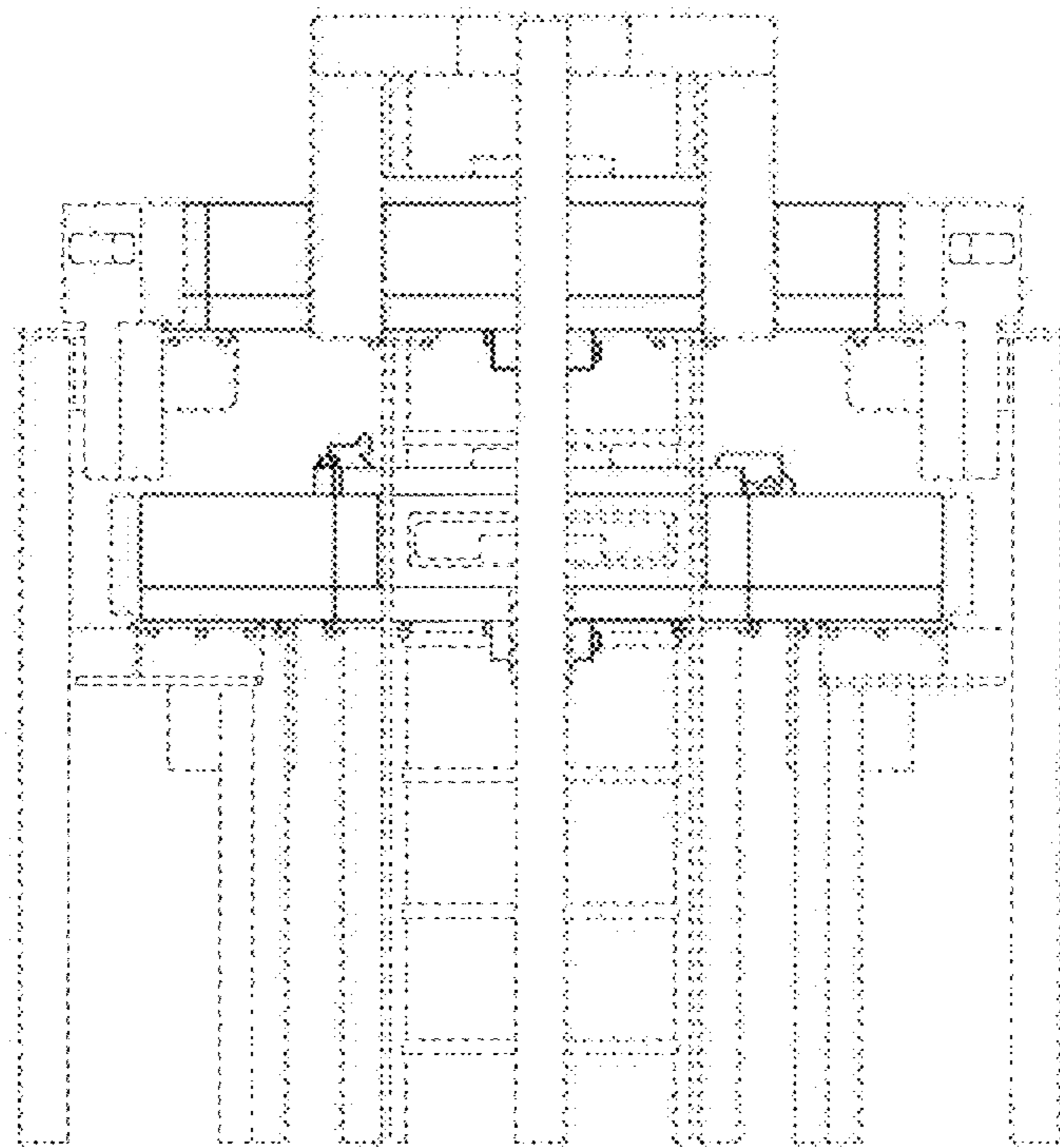


FIG.5

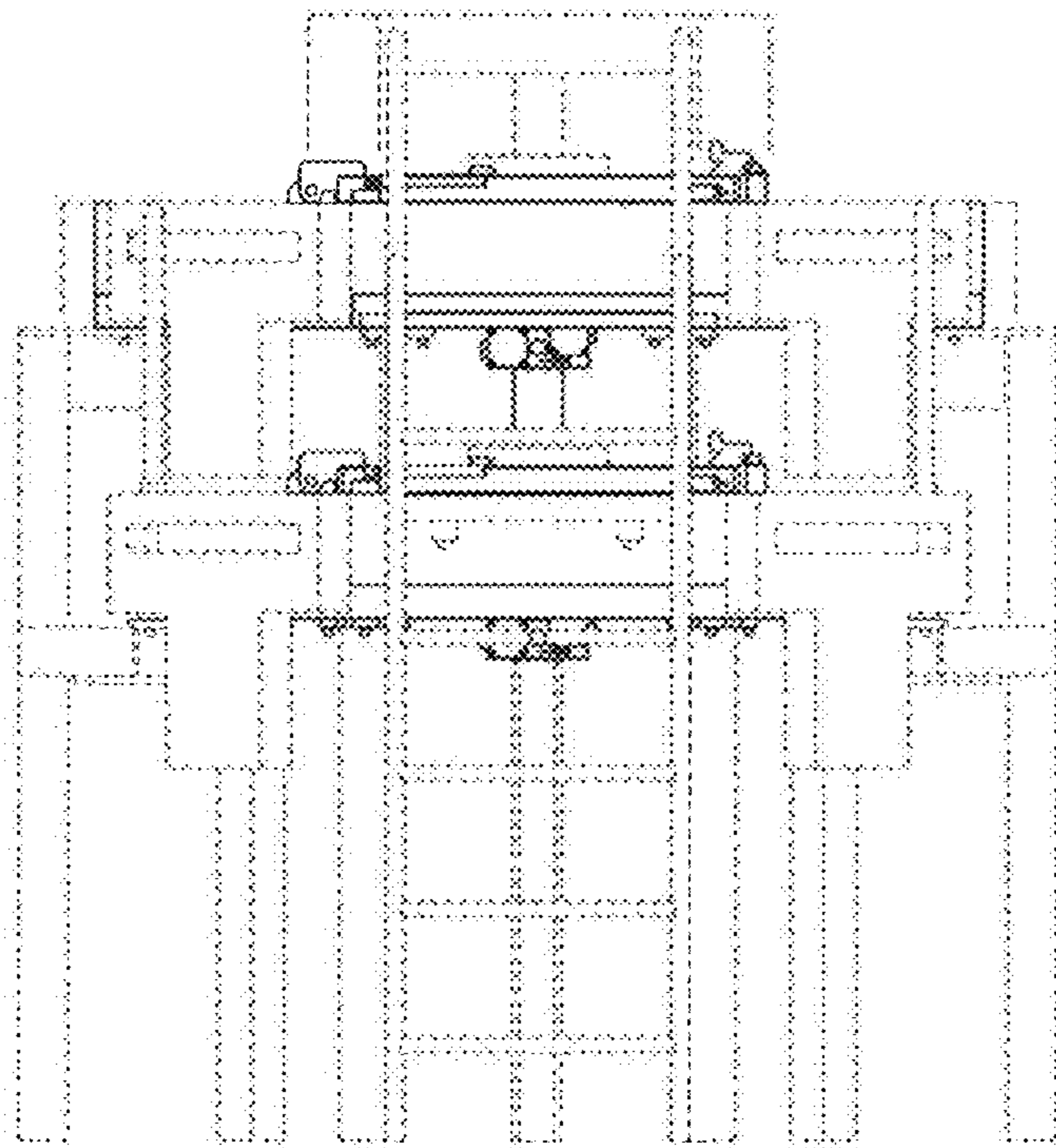


FIG.6

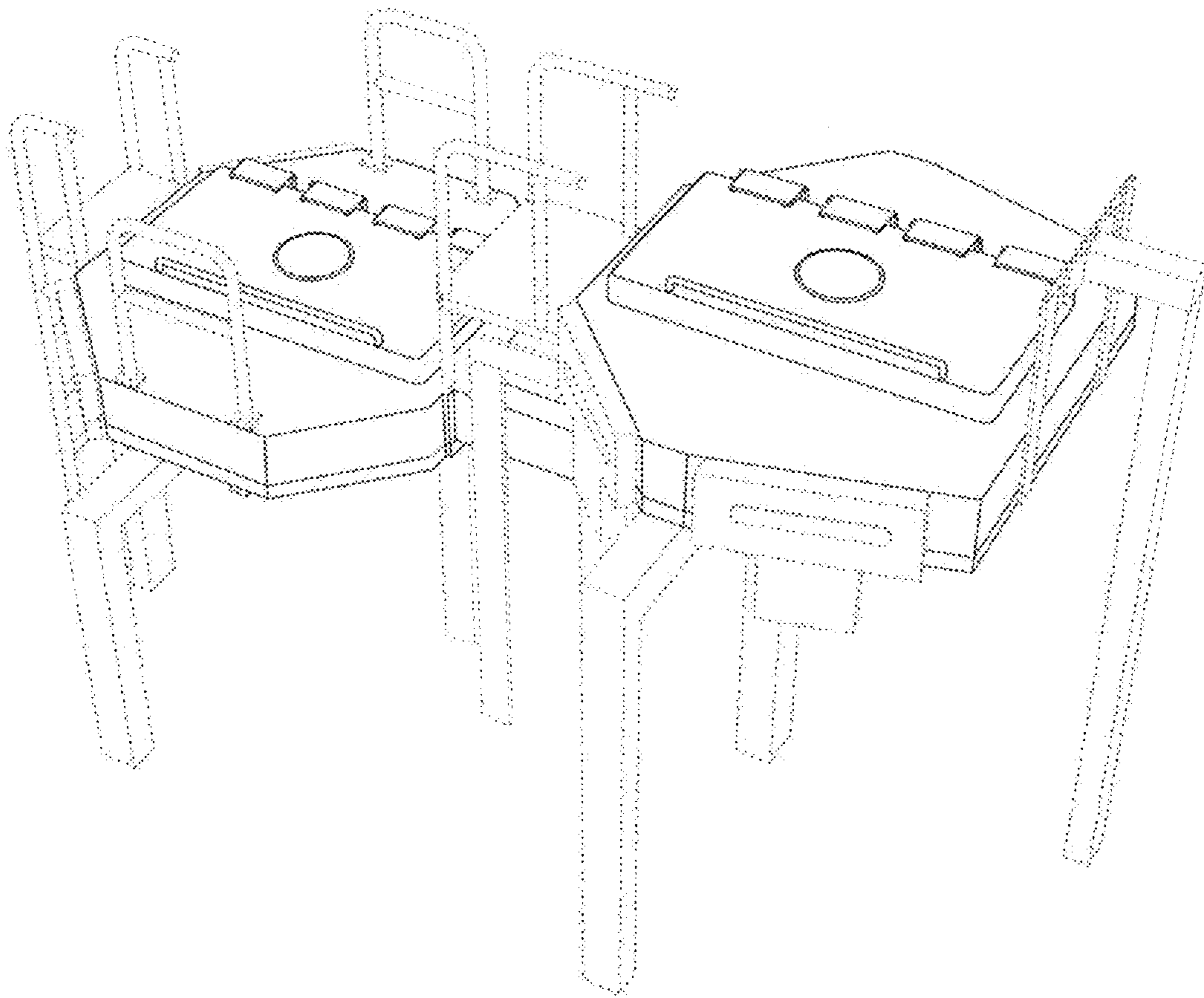


FIG.7

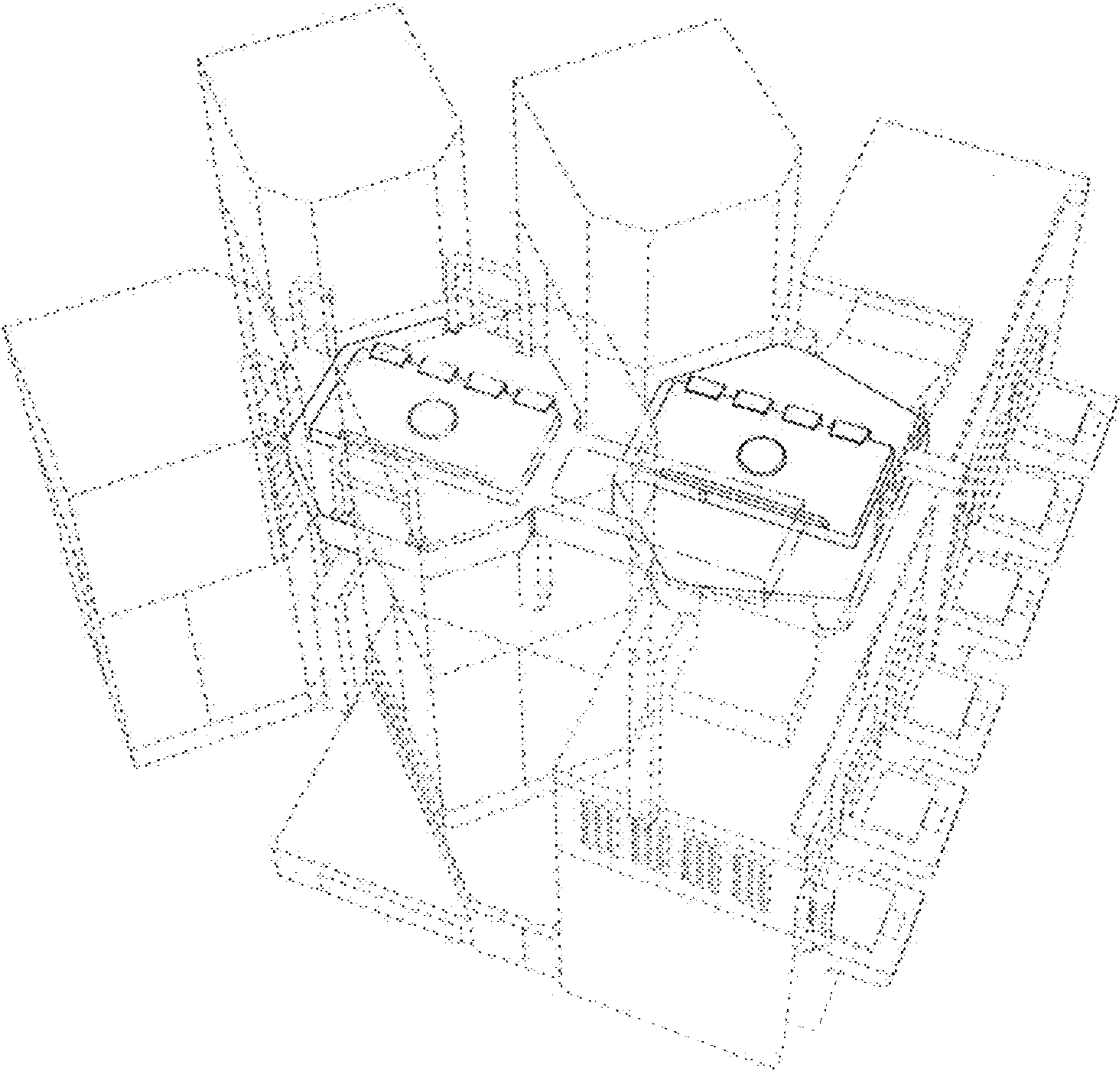


Fig.8

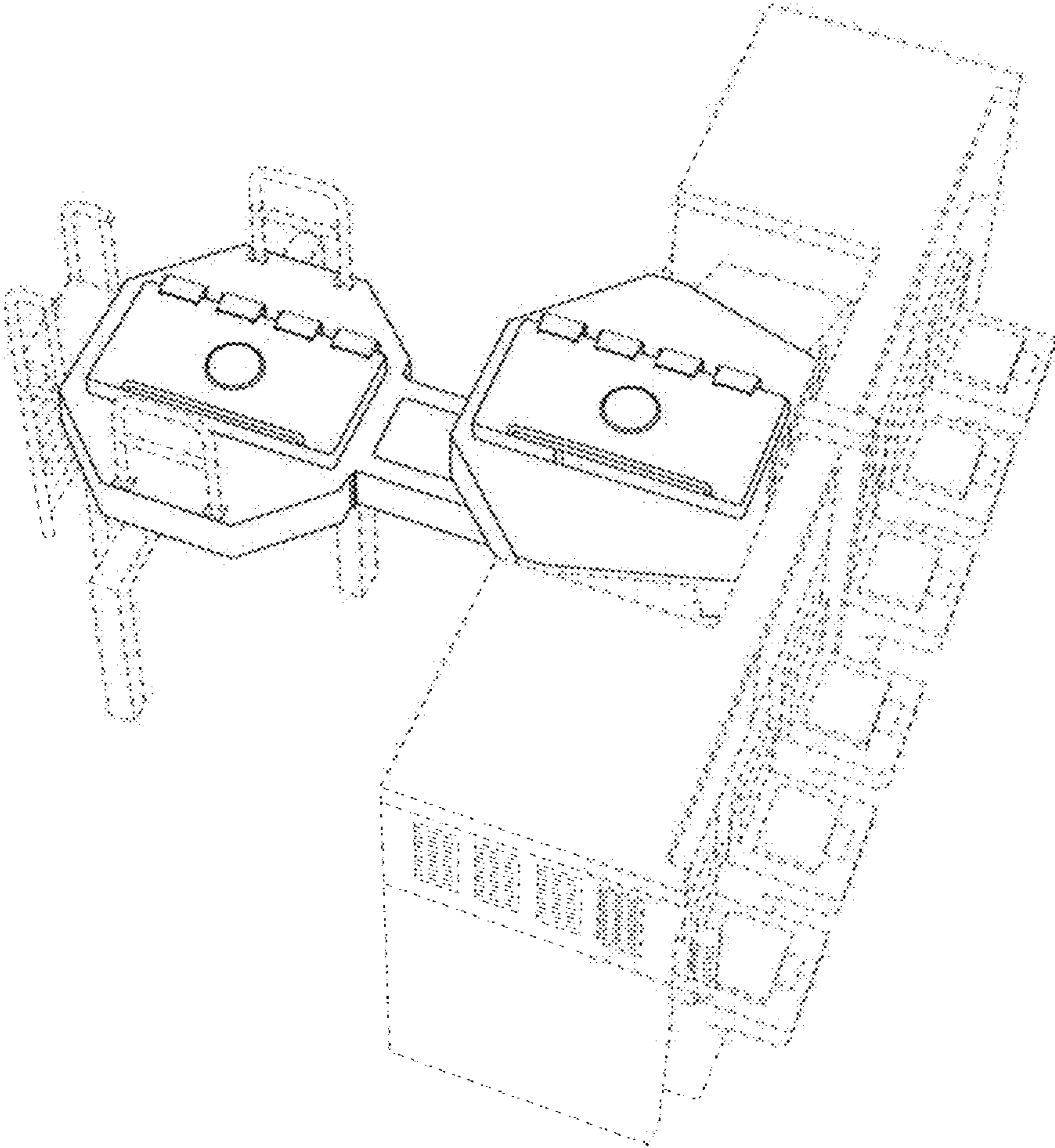


FIG.9