



US00D704752S

(12) **United States Design Patent**
Secker

(10) **Patent No.:** **US D704,752 S**

(45) **Date of Patent:** **** May 13, 2014**

(54) **EXTRACTION TONGS**

(71) Applicant: **S.A.S. of Luxemburg, Ltd.**, Luxemburg,
WI (US)

(72) Inventor: **Paul D. Secker**, Green Bay, WI (US)

(73) Assignee: **S.A.S. of Luxemburg, Ltd**, Luxemburg,
WI (US)

(**) Term: **14 Years**

(21) Appl. No.: **29/472,121**

(22) Filed: **Nov. 8, 2013**

(51) **LOC (10) Cl.** **15-03**

(52) **U.S. Cl.**
USPC **D15/28**

(58) **Field of Classification Search**
USPC D15/28, 29, 32; D34/34, 35; 414/735,
414/729, 739, 738; 294/106, 198, 86.41, 88
See application file for complete search history.

(56) **References Cited**

U.S. PATENT DOCUMENTS

| | | | | |
|-----------|------|---------|----------------|-----------|
| 3,582,127 | A * | 6/1971 | Johnson | 294/112 |
| 3,759,564 | A * | 9/1973 | Seaberg | 294/198 |
| 3,902,614 | A * | 9/1975 | Roberts et al. | 414/735 |
| 4,057,278 | A * | 11/1977 | Gotzen | 294/198 |
| 4,327,943 | A * | 5/1982 | Longo | 294/68.23 |
| D306,599 | S * | 3/1990 | Hunter | D15/32 |
| D323,170 | S * | 1/1992 | Takahashi | D15/32 |
| 6,131,978 | A * | 10/2000 | Rounds | 294/106 |
| 6,203,267 | B1 * | 3/2001 | Heiple et al. | 414/722 |
| 6,209,237 | B1 * | 4/2001 | Heiple et al. | 37/406 |

| | | | | |
|-----------|------|---------|----------------|-----------|
| D442,757 | S * | 5/2001 | Loflin, Sr. | D34/35 |
| 6,260,294 | B1 * | 7/2001 | Pitcher | 37/406 |
| 6,315,344 | B1 * | 11/2001 | Mattson et al. | 294/86.41 |
| 6,457,761 | B1 * | 10/2002 | Benoit | 294/86.41 |
| D496,945 | S * | 10/2004 | Daniel | D15/32 |
| 7,000,339 | B1 * | 2/2006 | Ramun | 37/406 |
| 7,066,076 | B2 * | 6/2006 | Roy et al. | 92/106 |
| 7,207,610 | B1 * | 4/2007 | Kauppila | 294/198 |
| 8,002,004 | B2 * | 8/2011 | Smythe | 144/24.13 |
| D672,369 | S * | 12/2012 | Secker et al. | D15/28 |
| D685,974 | S * | 7/2013 | Price et al. | D34/28 |

* cited by examiner

Primary Examiner — Mark Goodwin

(74) *Attorney, Agent, or Firm* — Donald J. Ersler

(57) **CLAIM**

The ornamental design for extraction tongs, as shown and described.

DESCRIPTION

FIG. 1 is a perspective view of extraction tongs retained by an actuation mechanism in a retracted orientation incorporating my new design;

FIG. 2 is a front elevation view of extraction tongs in a retracted orientation thereof;

FIG. 3 is a front elevation view of extraction tongs in a closed orientation thereof;

FIG. 4 is a left side view thereof;

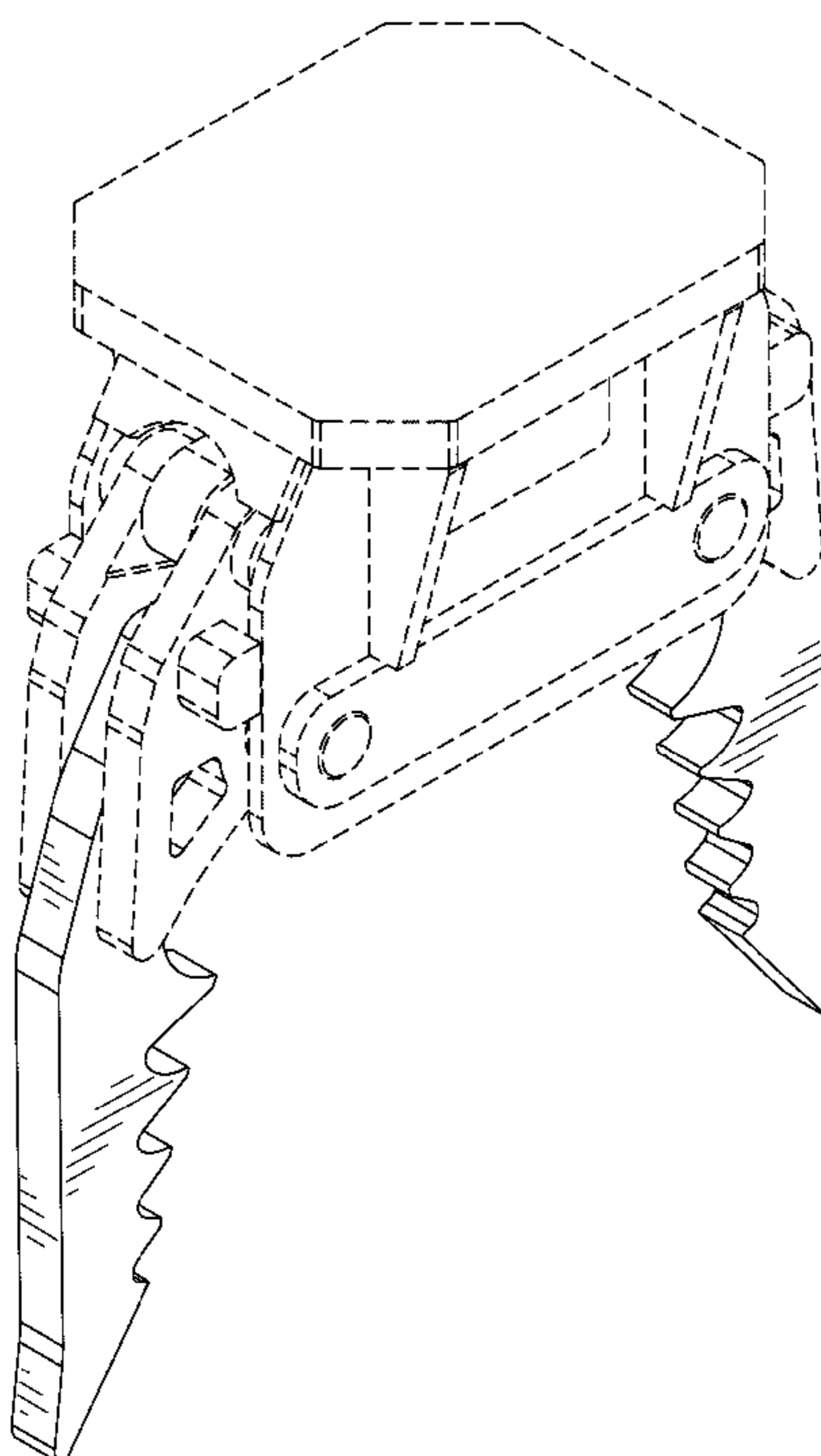
FIG. 5 is a right side view thereof;

FIG. 6 is a top plan view thereof; and,

FIG. 7 is a bottom plan view thereof.

The dashed lines in FIGS. 1-7 are for illustrative purposes only and form no part of the claimed invention.

1 Claim, 6 Drawing Sheets



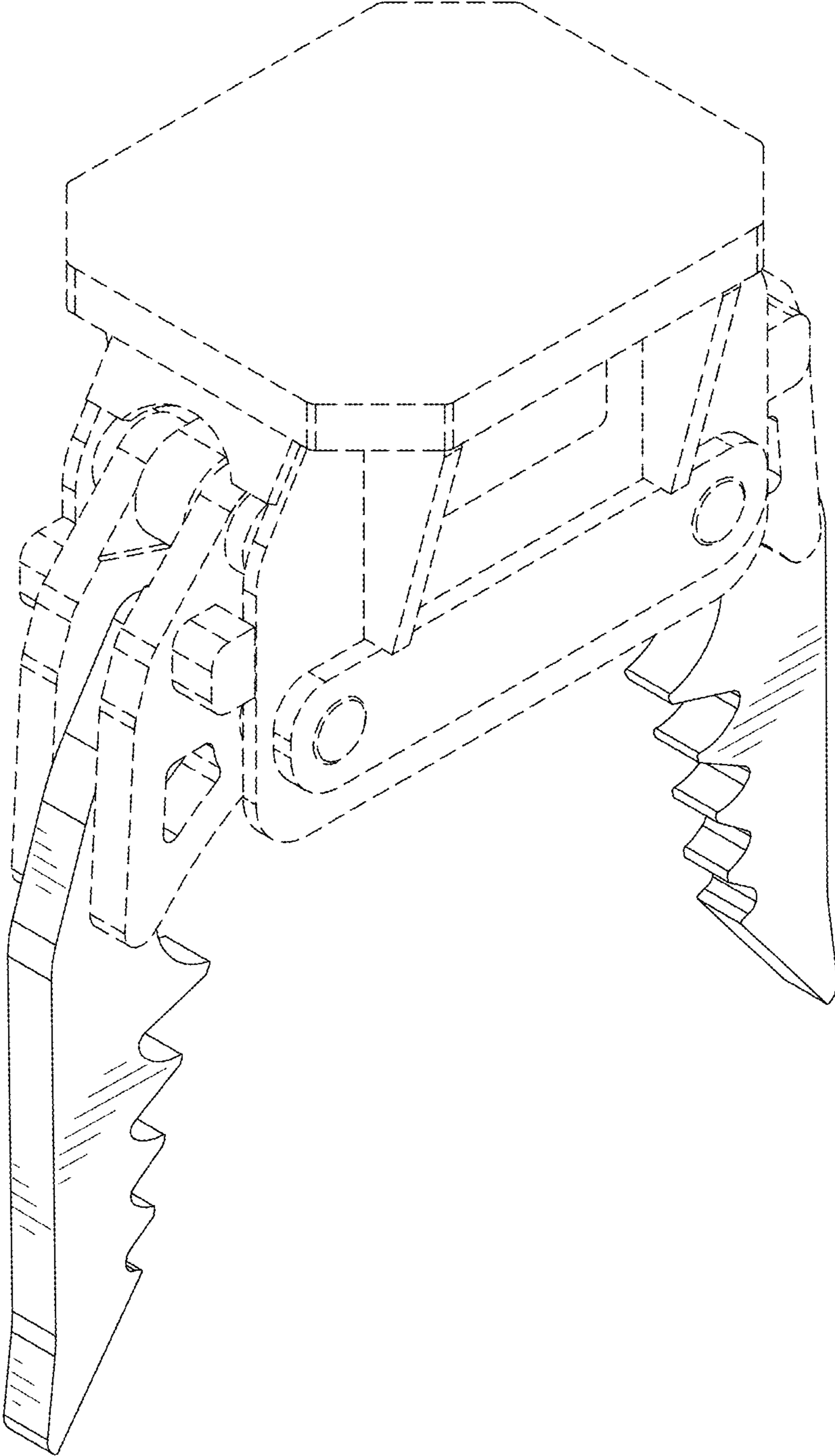


FIG. 1

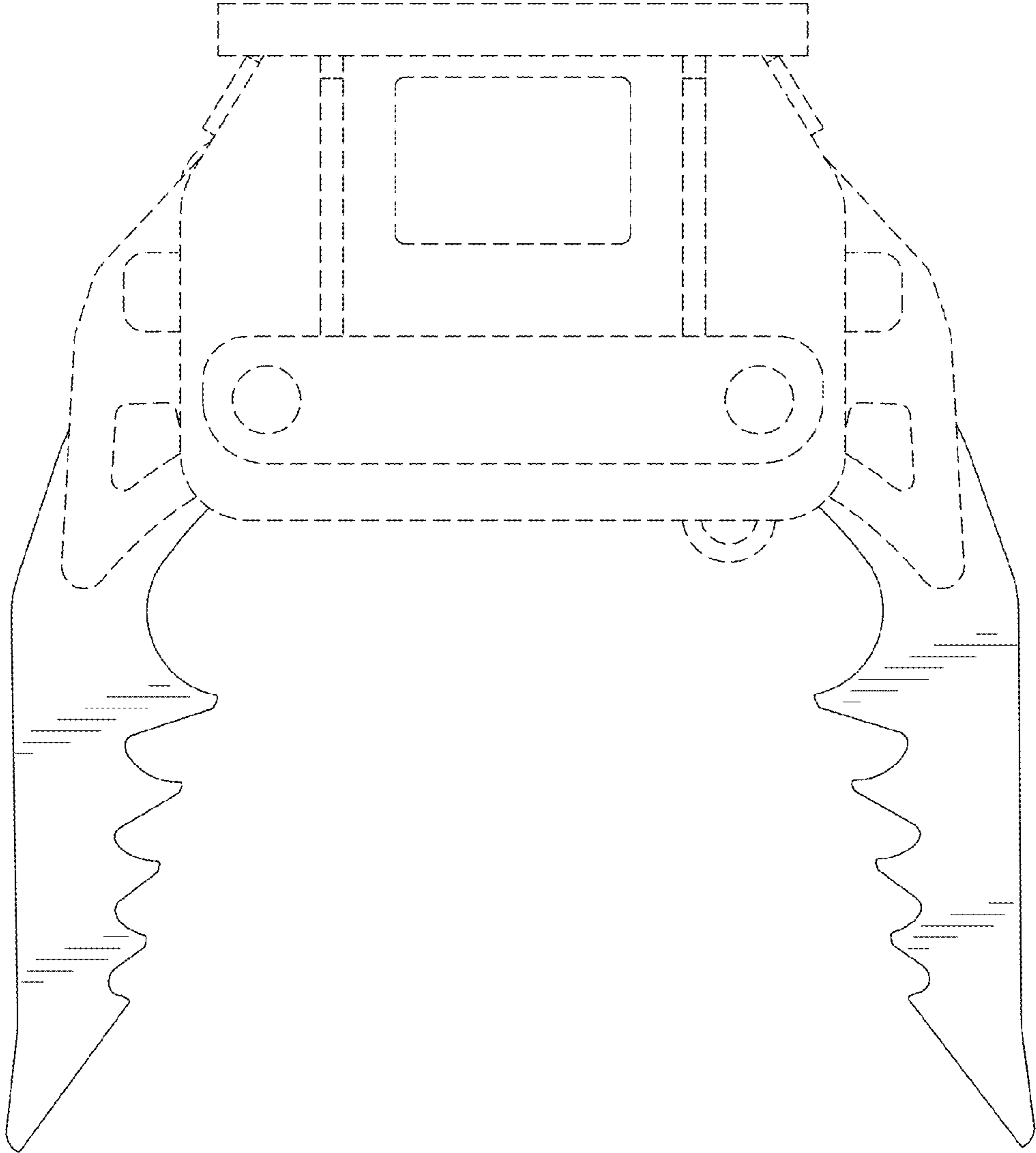


FIG. 2

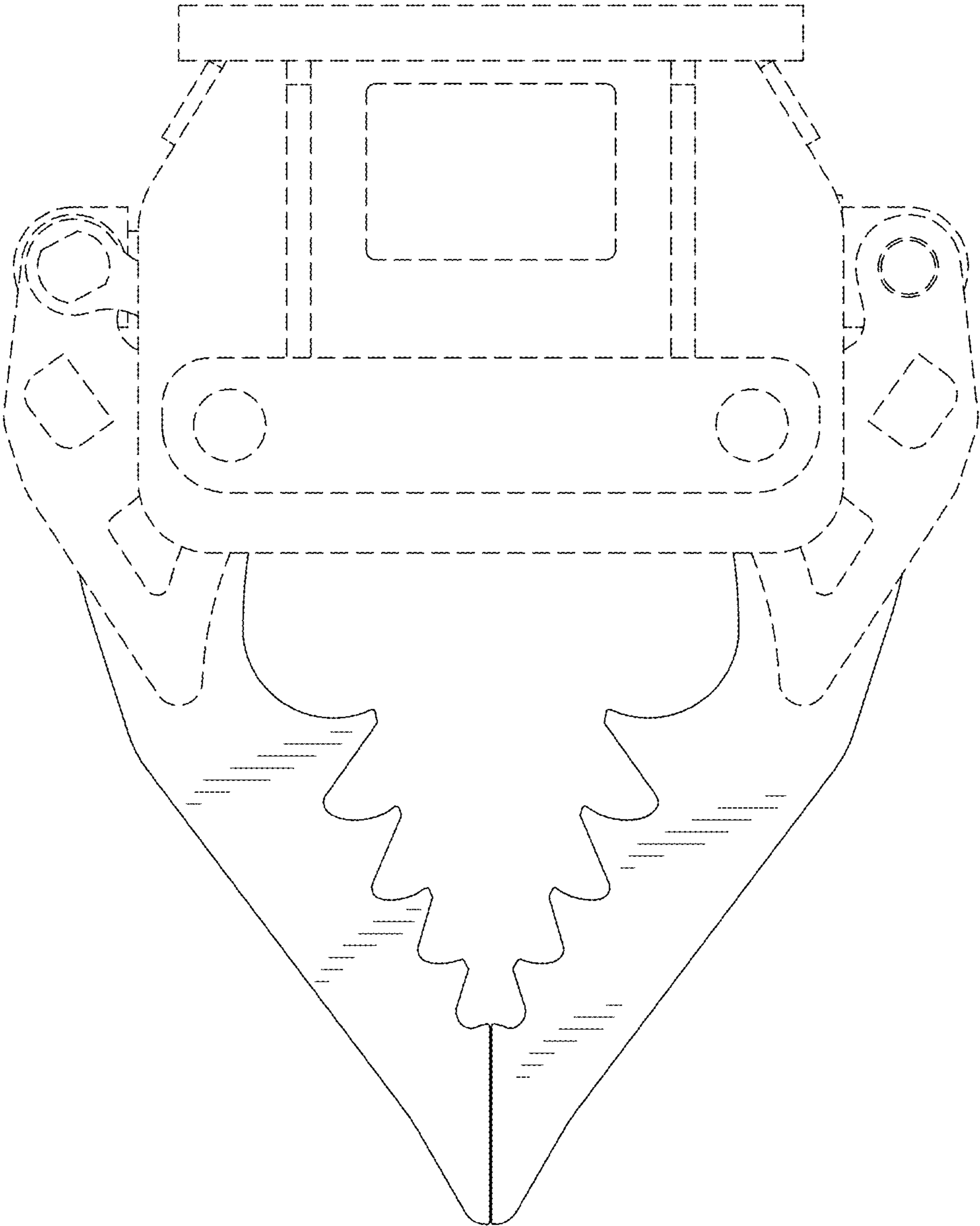


FIG. 3

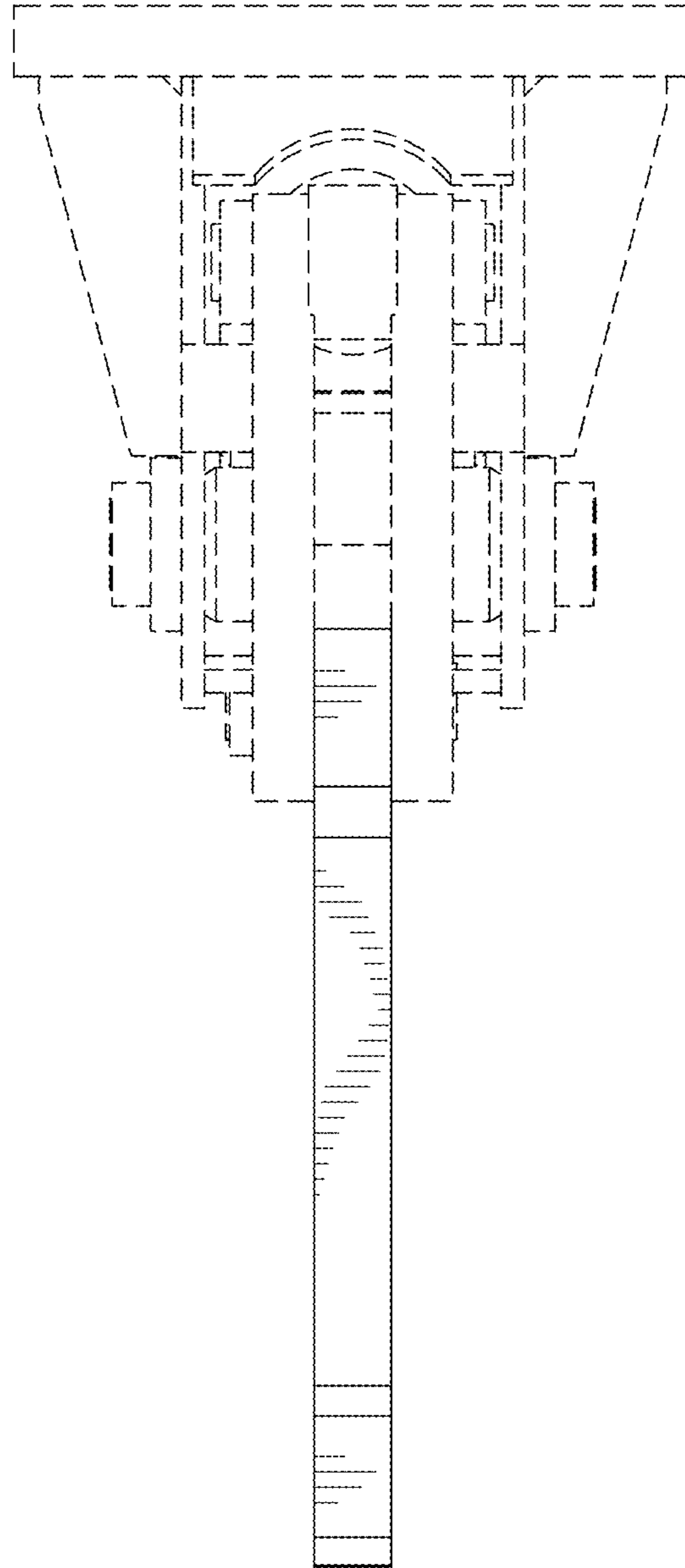


FIG. 4

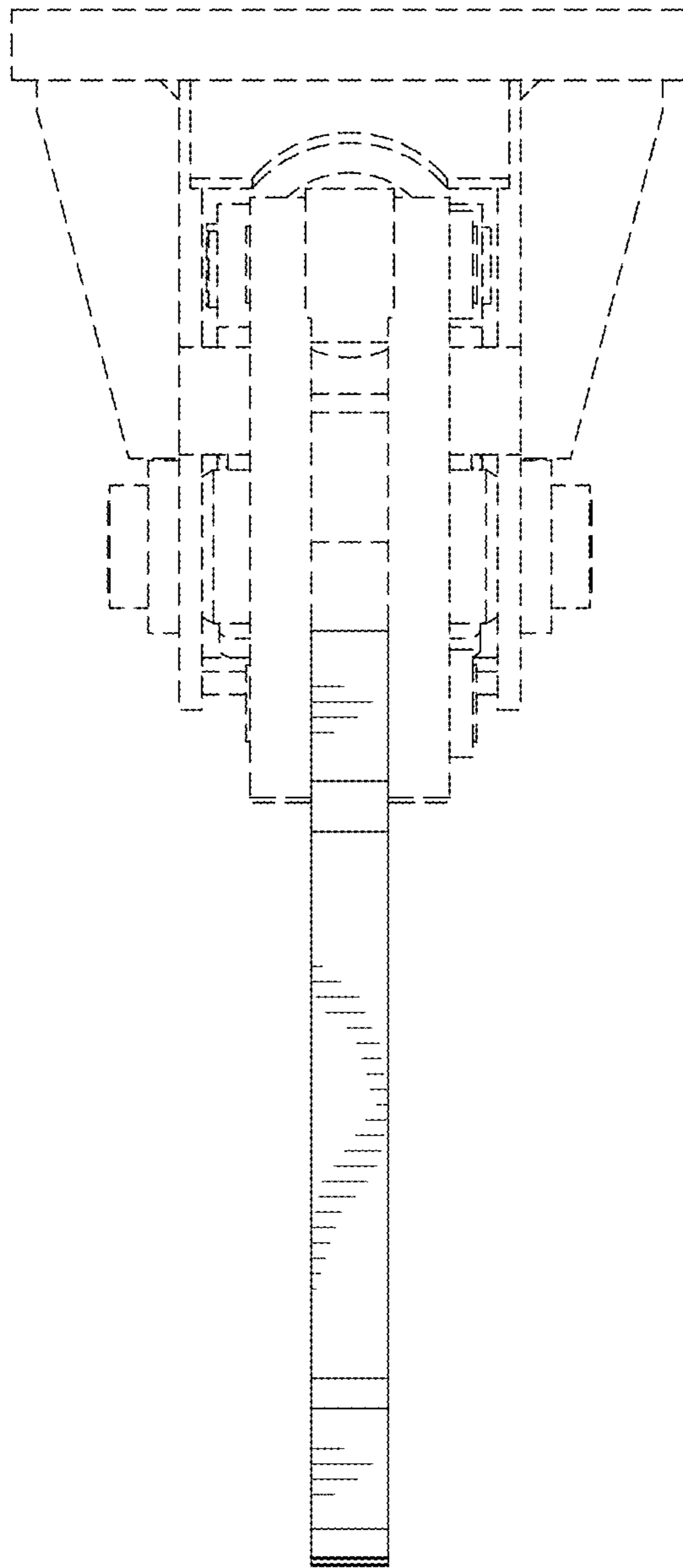


FIG. 5

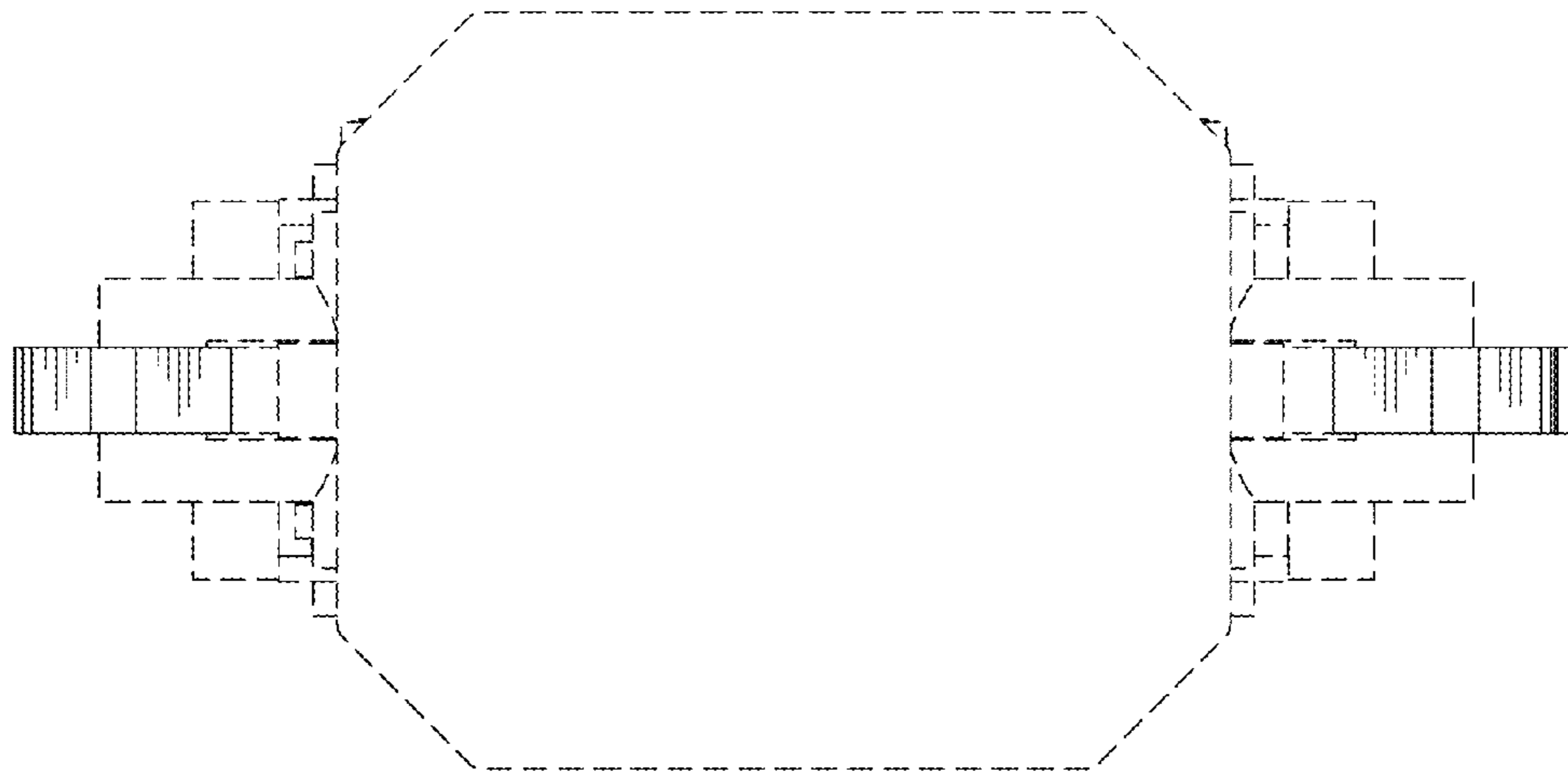


FIG. 6

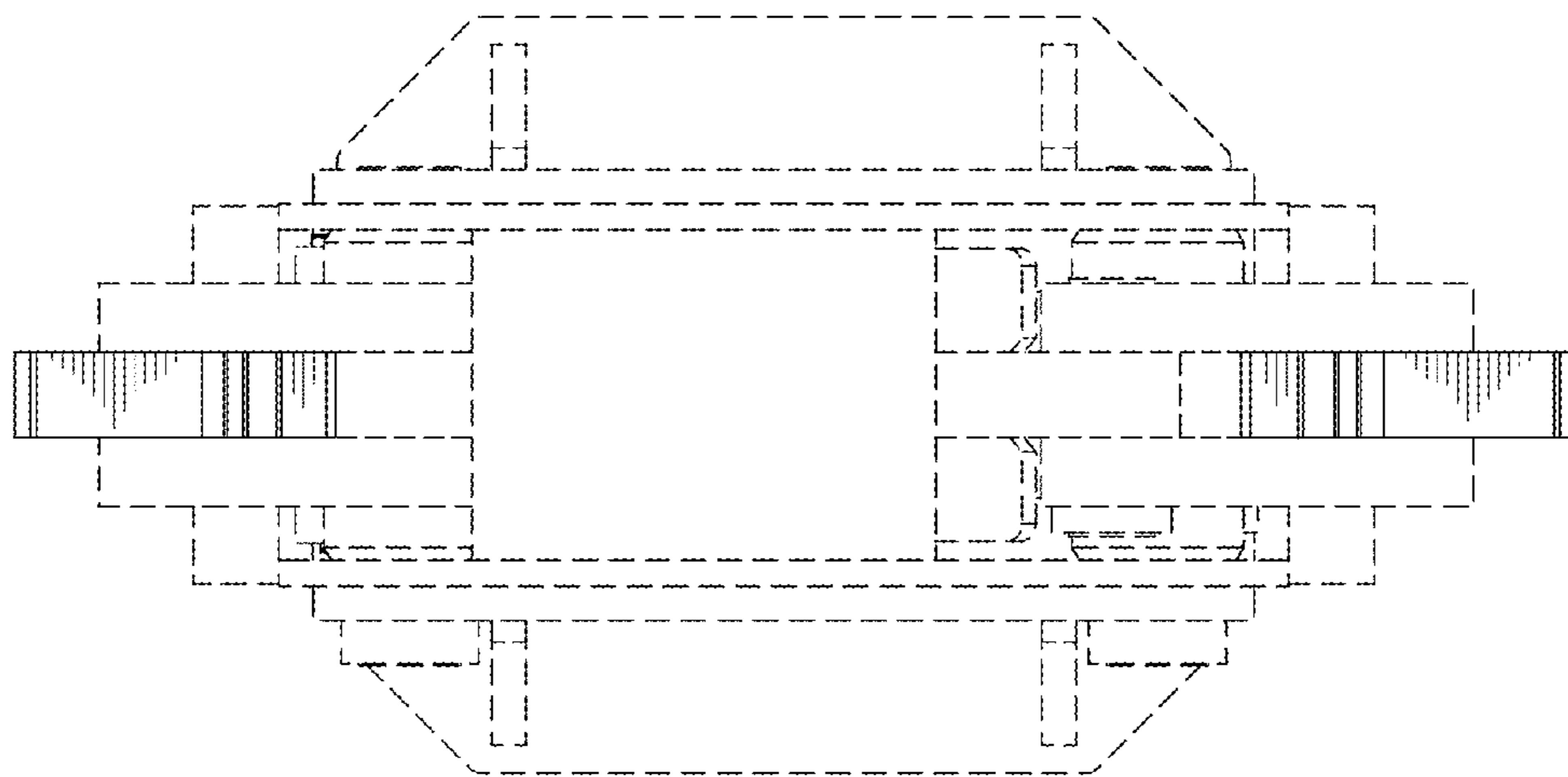


FIG. 7