



US00D704749S

(12) **United States Design Patent**
Shimomura et al.

(10) **Patent No.:** **US D704,749 S**

(45) **Date of Patent:** **** May 13, 2014**

(54) **PORTION OF A TRACTOR**

(71) Applicant: **Kubota Corporation**, Osaka (JP)

(72) Inventors: **Takashi Shimomura**, Sakai (JP); **Junta Kuwae**, Sakai (JP); **Akiyoshi Ono**, Sakai (JP)

(73) Assignee: **Kubota Corporation**, Osaka (JP)

(**) Term: **14 Years**

(21) Appl. No.: **29/444,378**

(22) Filed: **Jan. 30, 2013**

(30) **Foreign Application Priority Data**

Jul. 31, 2012 (JP) 2012-018237

(51) **LOC (10) Cl.** **15-03**

(52) **U.S. Cl.**
USPC **D15/28**

(58) **Field of Classification Search**
USPC D15/10, 11, 13-17, 28, 22-26, 31;
D12/173; 56/13.3, 13.4, 15.8, 15.9,
56/320.1; 180/89.1, 89.12, 900, 69.2,
180/68.1, 69.1

See application file for complete search history.

(56) **References Cited**

U.S. PATENT DOCUMENTS

D246,370	S	*	11/1977	Lorenz	D15/31
D297,330	S	*	8/1988	Monehaie et al.	D15/31
5,490,574	A	*	2/1996	Ishiizumi et al.	180/68.1
D371,372	S	*	7/1996	Westimayer et al.	D15/31
D381,025	S	*	7/1997	Bataille	D15/31
D383,470	S	*	9/1997	Westimayer et al.	D15/31
D389,492	S	*	1/1998	Schmidt et al.	D15/31
D413,905	S	*	9/1999	Schmidt et al.	D15/31
D448,037	S	*	9/2001	Westimayer et al.	D15/31
D460,087	S	*	7/2002	Crookes et al.	D15/28

D473,881	S	*	4/2003	Kuwae	D15/28
D474,206	S	*	5/2003	Kuwae	D15/31
D483,383	S	*	12/2003	Crookes et al.	D15/31
D488,488	S	*	4/2004	Montgomery et al.	D15/31
D488,489	S	*	4/2004	Montgomery et al.	D15/31
D498,485	S	*	11/2004	Kuwae	D15/31
D522,537	S	*	6/2006	Higashikawa	D15/31
D532,022	S	*	11/2006	Kuwae	D15/31
D554,669	S	*	11/2007	Crookes et al.	D15/31
D557,714	S	*	12/2007	Higashikawa	D15/31
D558,238	S	*	12/2007	Kuwae	D15/31
D558,799	S	*	1/2008	Higashikawa	D15/31
D560,693	S	*	1/2008	Moen et al.	D15/31
D570,382	S	*	6/2008	Higashikawa	D15/31
D581,955	S	*	12/2008	Matsumoto et al.	D15/31
D586,828	S	*	2/2009	Staines et al.	D15/31
D591,777	S	*	5/2009	Kokitkar et al.	D15/31

(Continued)

Primary Examiner — Mark Goodwin

(74) *Attorney, Agent, or Firm* — The Webb Law Firm

(57) **CLAIM**

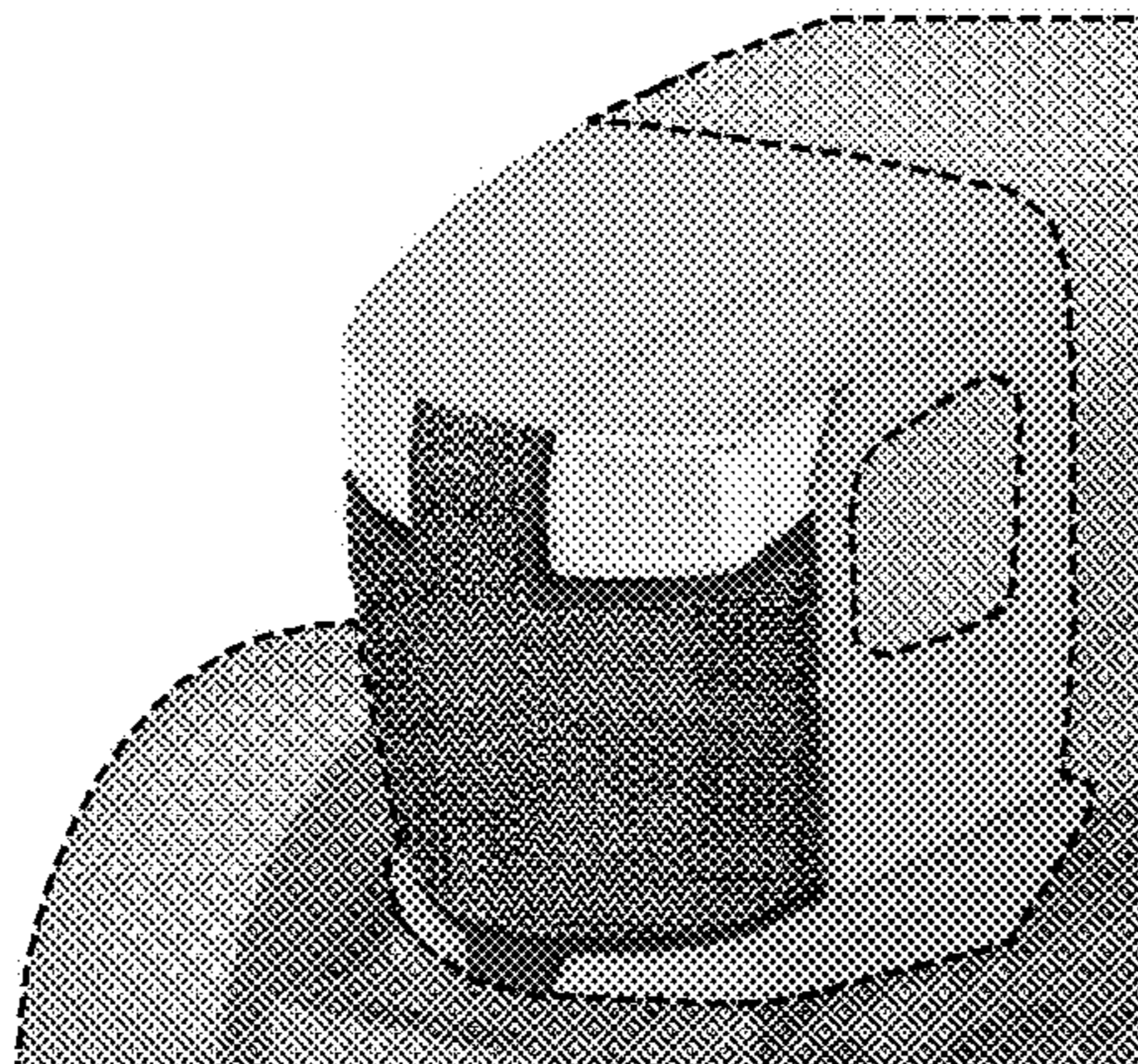
The ornamental design for a portion of a tractor, as shown and described.

DESCRIPTION

FIG. 1 is a right side view of a portion of a tractor showing our new design;
FIG. 2 is a left side view thereof;
FIG. 3 is a front view thereof;
FIG. 4 is a top view thereof;
FIG. 5 is an upper right front perspective view thereof;
FIG. 6 is an enlarged front view thereof; and,
FIG. 7 is an enlarged upper right front perspective view thereof.

The portions of FIGS. 1-7 shown in coarse dot pattern and outlined in dashed lines form no part of the claimed design. A bottom view is omitted because it is plain and unornamental and forms no part of the subject matter of the claimed design.

1 Claim, 7 Drawing Sheets



(56)

References Cited

U.S. PATENT DOCUMENTS

D594,038 S * 6/2009 Shimomura D15/31
D596,205 S * 7/2009 Kawashiri et al. D15/31
D602,507 S * 10/2009 Kushita D15/31
D605,669 S * 12/2009 Matsumoto et al. D15/31
D611,963 S * 3/2010 Kuwae et al. D15/31

D642,597 S * 8/2011 Krogh et al. D15/31
D642,598 S * 8/2011 Wikner et al. D15/31
D655,317 S * 3/2012 Hagele et al. D15/31
D655,318 S * 3/2012 Hagele et al. D15/31
D655,319 S * 3/2012 Hagele et al. D15/31
D690,327 S * 9/2013 Kim et al. D15/31
D690,328 S * 9/2013 Cha et al. D15/31

* cited by examiner

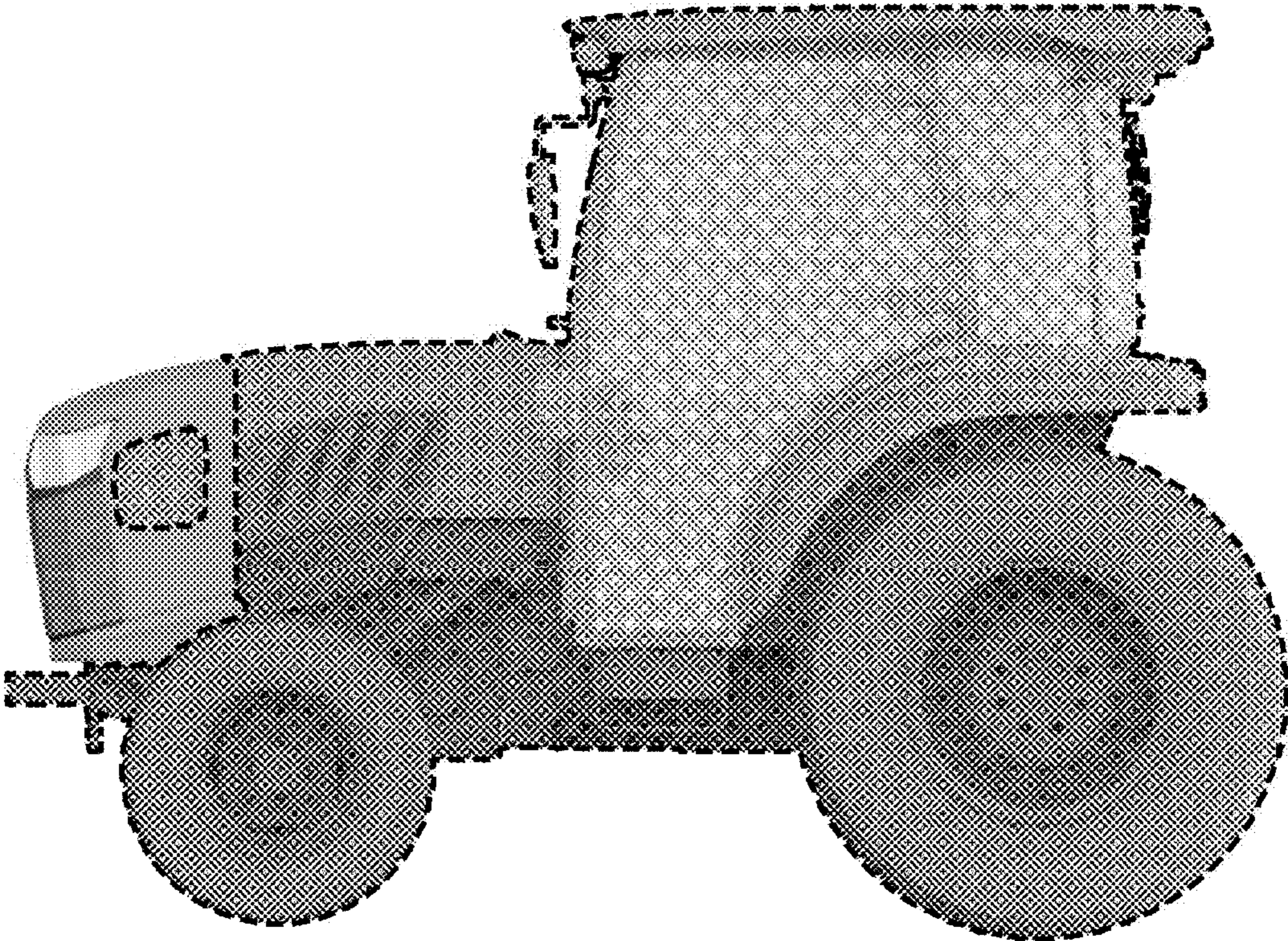


FIG. 1

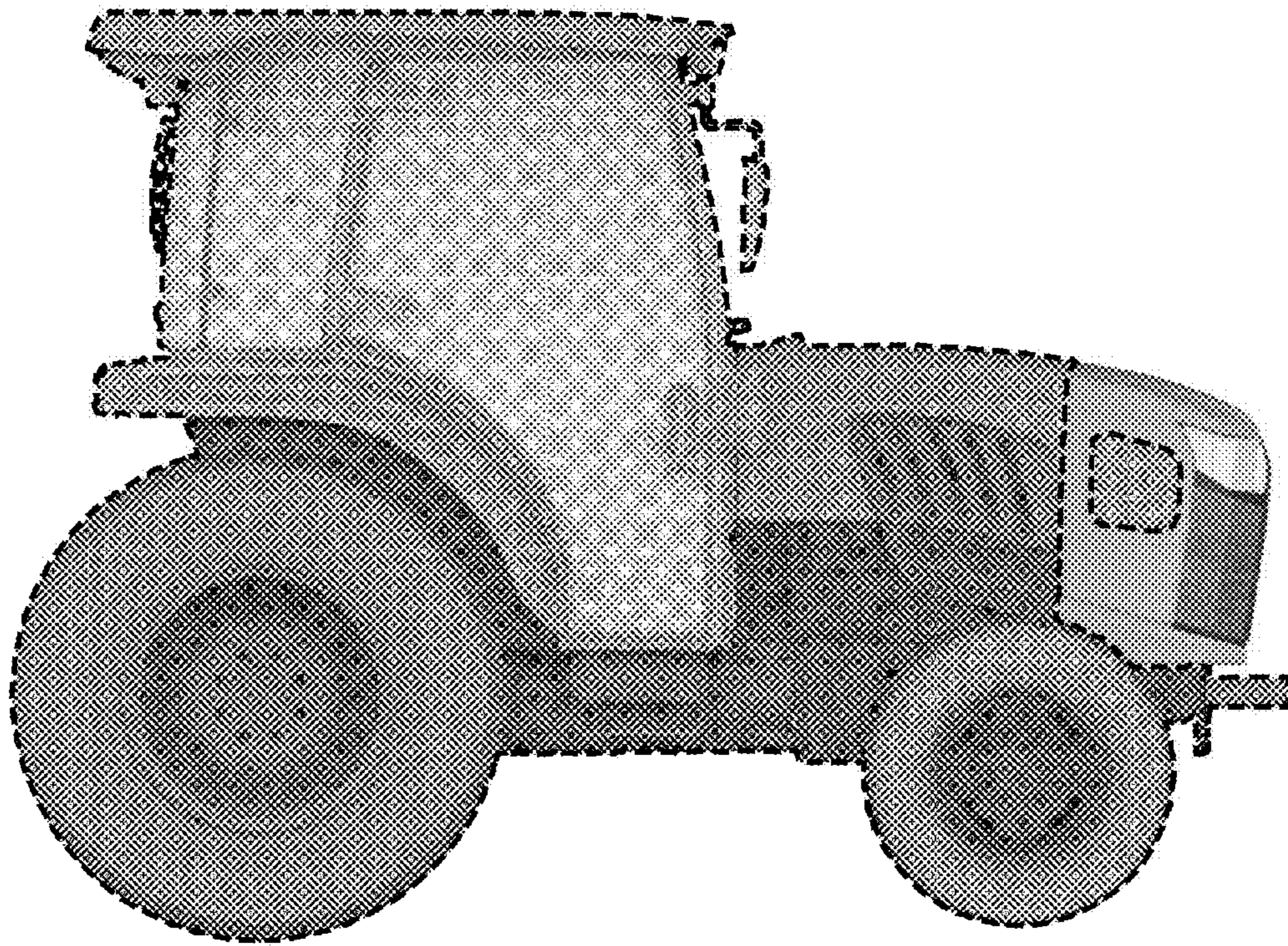


FIG. 2

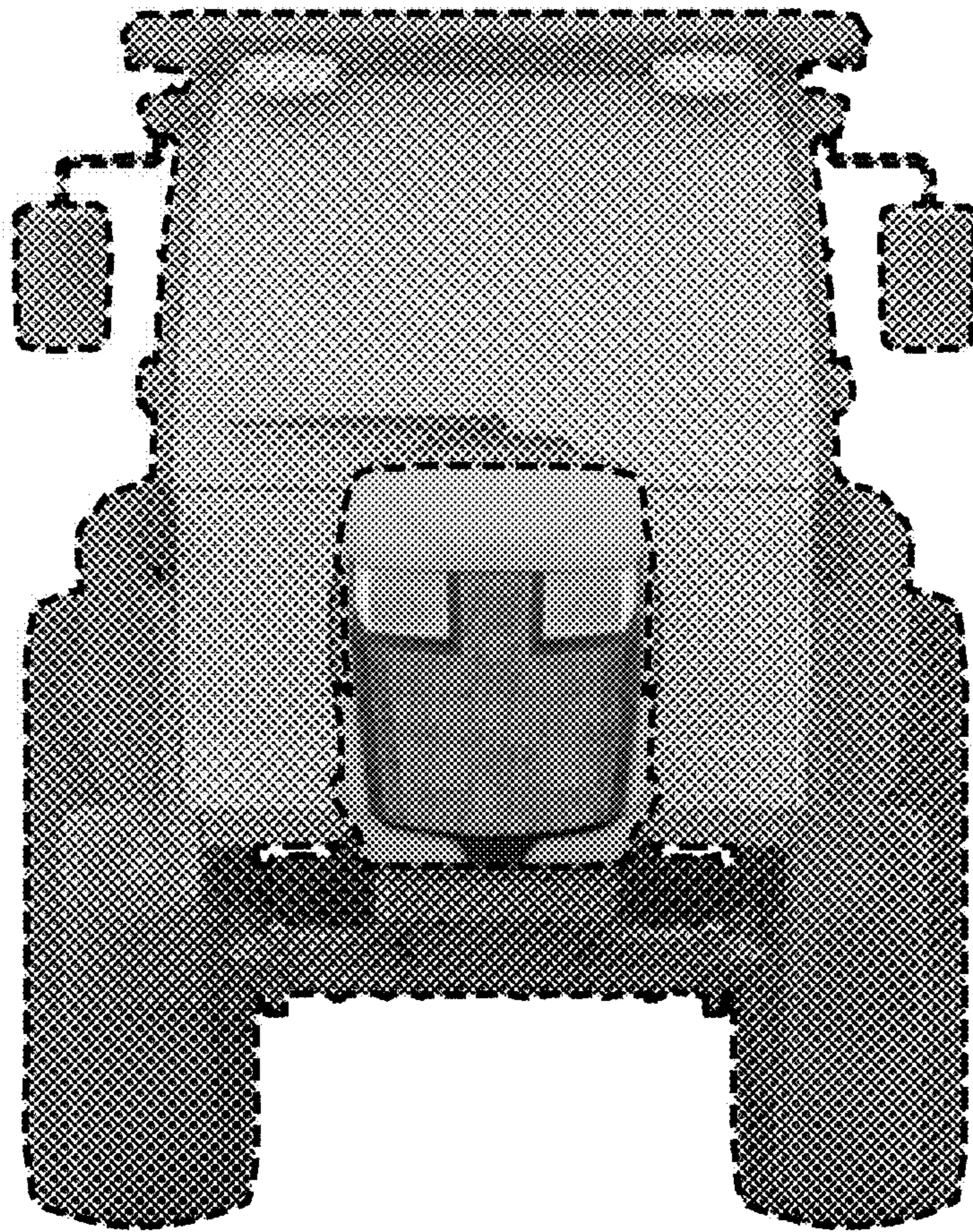


FIG. 3

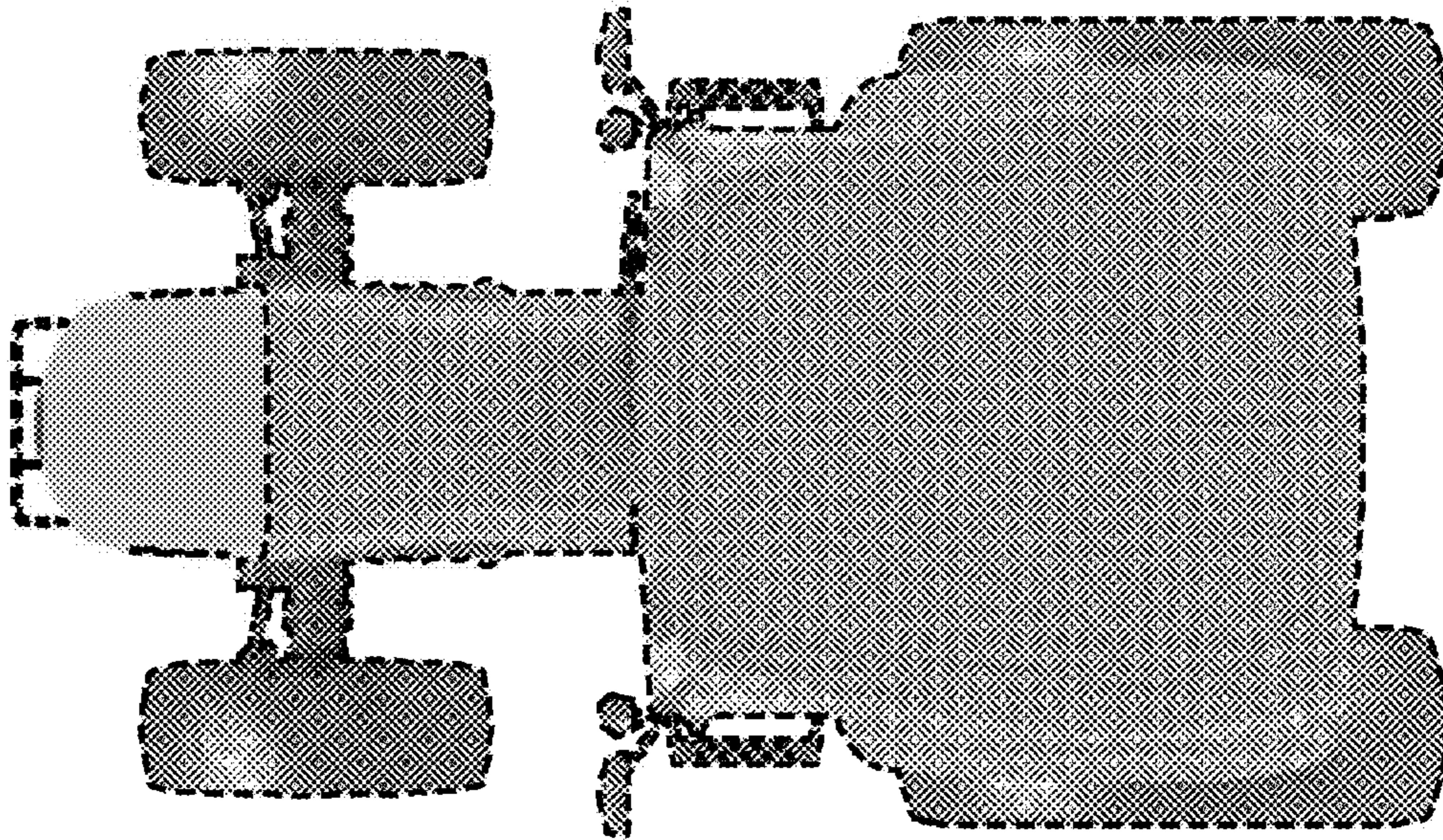


FIG. 4

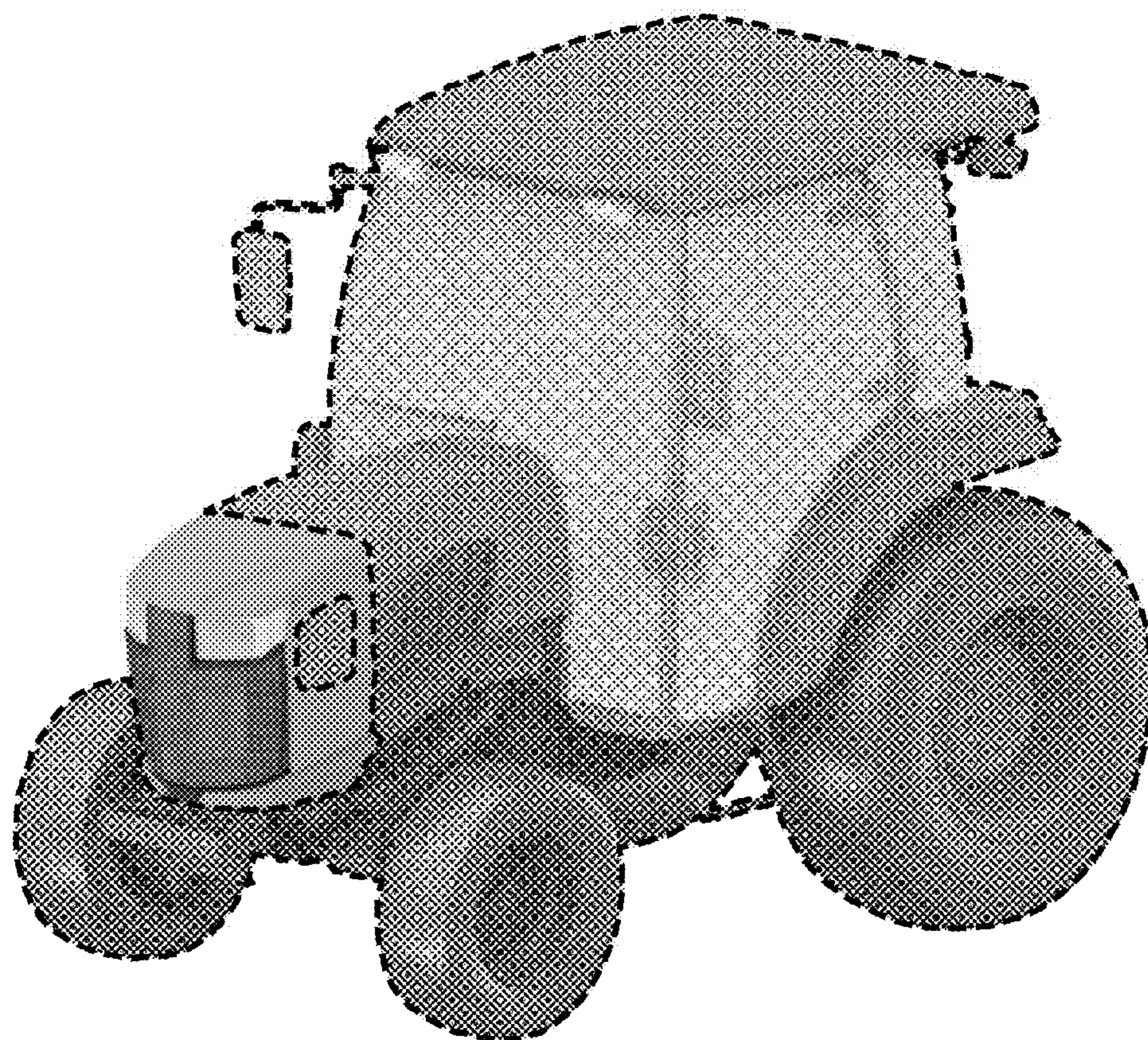


FIG. 5

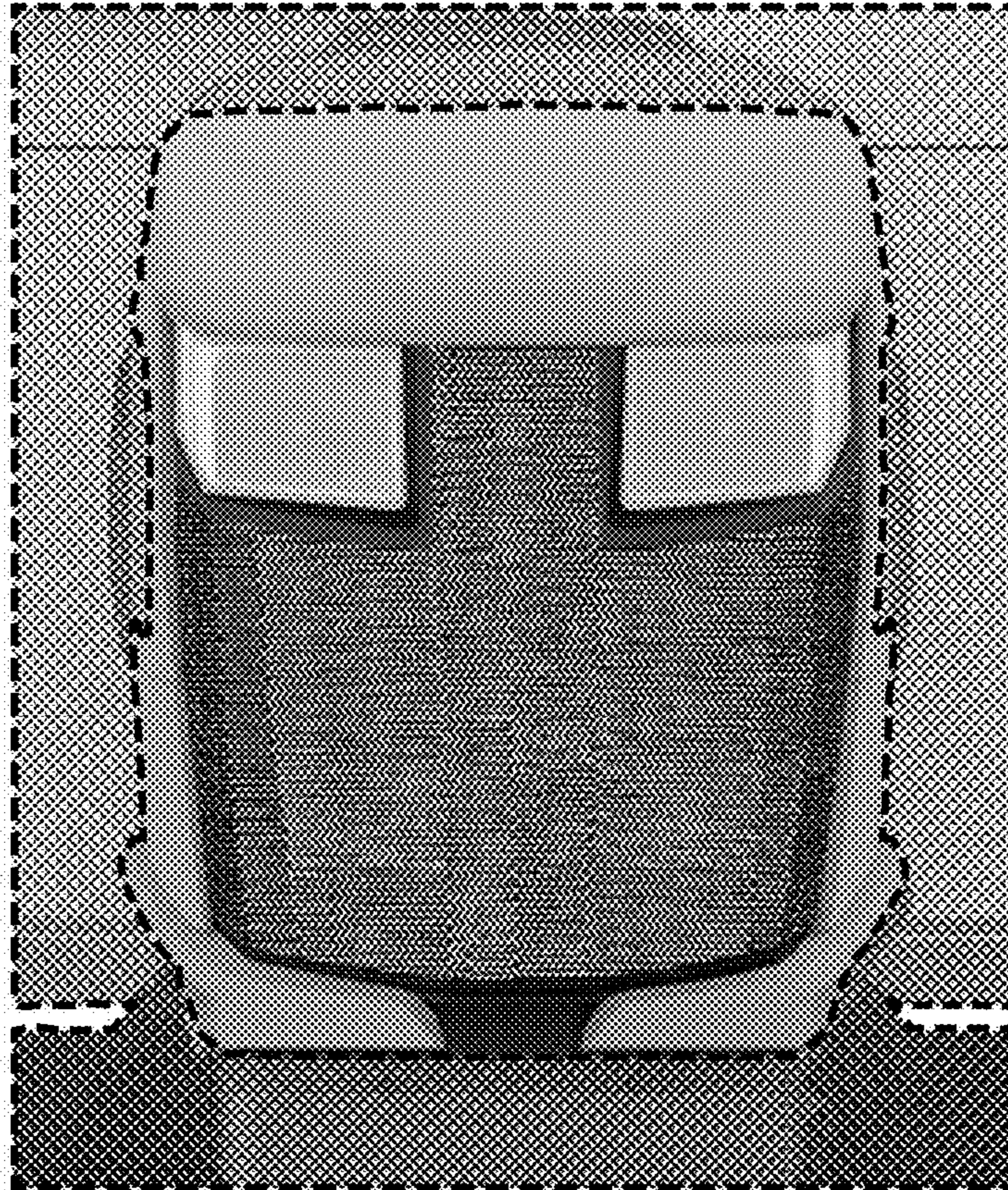


FIG. 6

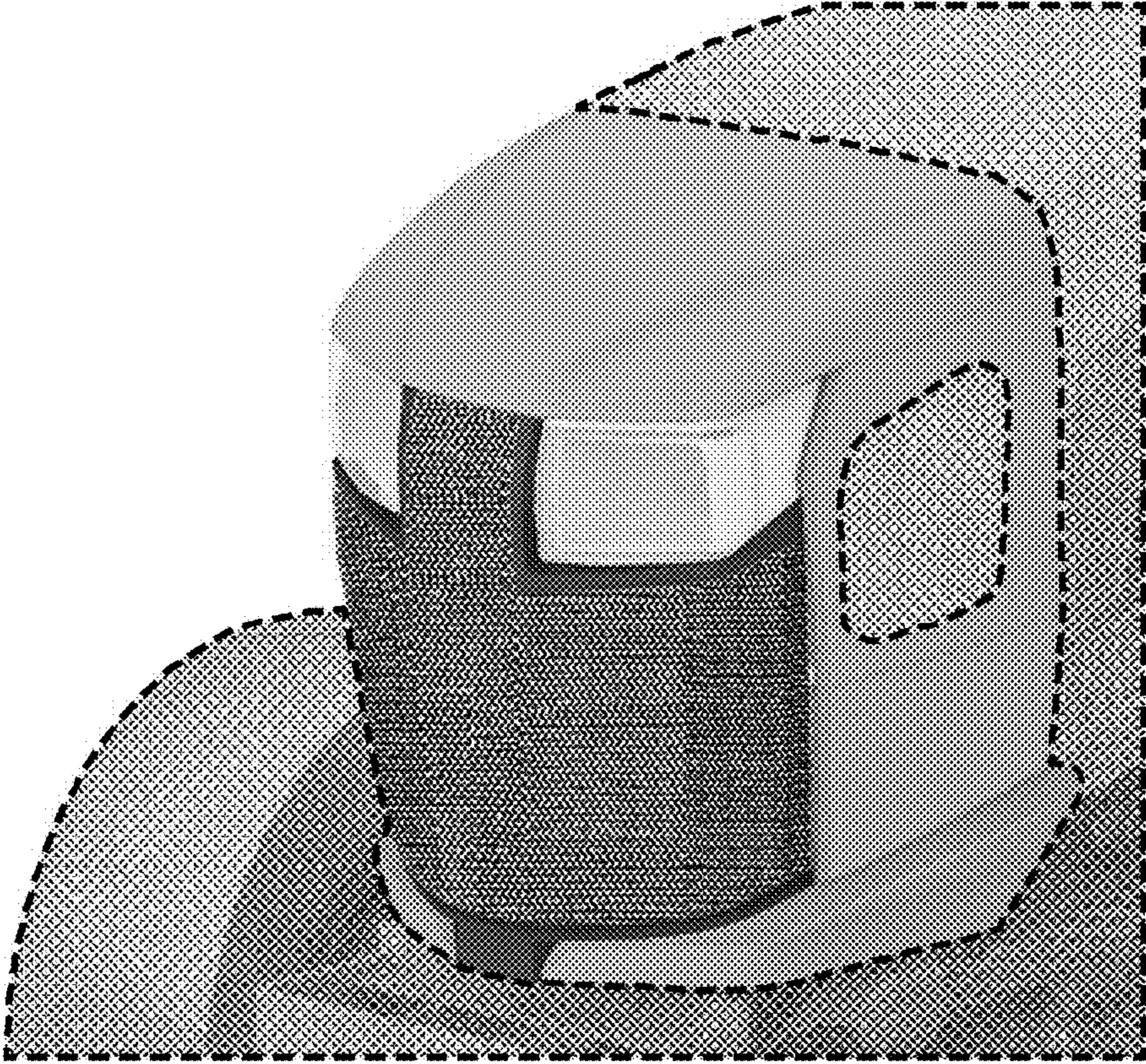


FIG. 7