



US00D704748S

(12) **United States Design Patent**
Beers et al.

(10) **Patent No.:** **US D704,748 S**

(45) **Date of Patent:** **** May 13, 2014**

(54) **LIQUID RING PUMP HOUSING**

(71) Applicant: **Gardner Denver Nash, LLC**, Charleroi, PA (US)

(72) Inventors: **Charles Howard Beers**, Milford, CT (US); **Ramesh Balkunge Sheno**i, Orangeburg, NY (US)

(73) Assignee: **Gardner Denver Nash, LLC**, Charleroi, PA (US)

(**) Term: **14 Years**

(21) Appl. No.: **29/472,245**

(22) Filed: **Nov. 11, 2013**

(51) **LOC (10) Cl.** **15-02**

(52) **U.S. Cl.**
USPC **D15/7**

(58) **Field of Classification Search**

CPC F04B 25/00; F04B 27/00; F04B 33/00;
F04B 35/00; F04B 37/00; F04B 39/00;
F04B 39/12; F04B 41/00
USPC D15/7-9; D23/231, 232, 225; 417/60,
417/235, 265, 321, 355, 358, 363, 359,
417/410.1, 415-416, 405, 900; 60/408,
60/412; 184/26-37; 415/140-147;
123/495, 509

See application file for complete search history.

(56) **References Cited**

U.S. PATENT DOCUMENTS

D447,148 S * 8/2001 Antony et al. D15/7
D450,327 S * 11/2001 Mori et al. D15/7

D453,525 S * 2/2002 Lutes D15/7
D501,486 S * 2/2005 Leone et al. D15/7
D562,849 S * 2/2008 Buitenhuis et al. D15/7
D604,330 S * 11/2009 Duong et al. D15/7

OTHER PUBLICATIONS

Pending, related U.S. Appl. No. 14/076,785, filed Nov. 11, 2013 (37 pgs.).

* cited by examiner

Primary Examiner — Ralf Seifert

(74) *Attorney, Agent, or Firm* — James B. Conte; Husch Blackwell LLP

(57) **CLAIM**

The ornamental design of a liquid ring pump housing, as shown and described.

DESCRIPTION

FIG. 1 is an elevated front and right sided perspective view of the liquid ring pump housing.

FIG. 2 is an elevated rear and right sided perspective view thereof.

FIG. 3 is a right sided view thereof.

FIG. 4 is a left sided view thereof.

FIG. 5 is a top view thereof.

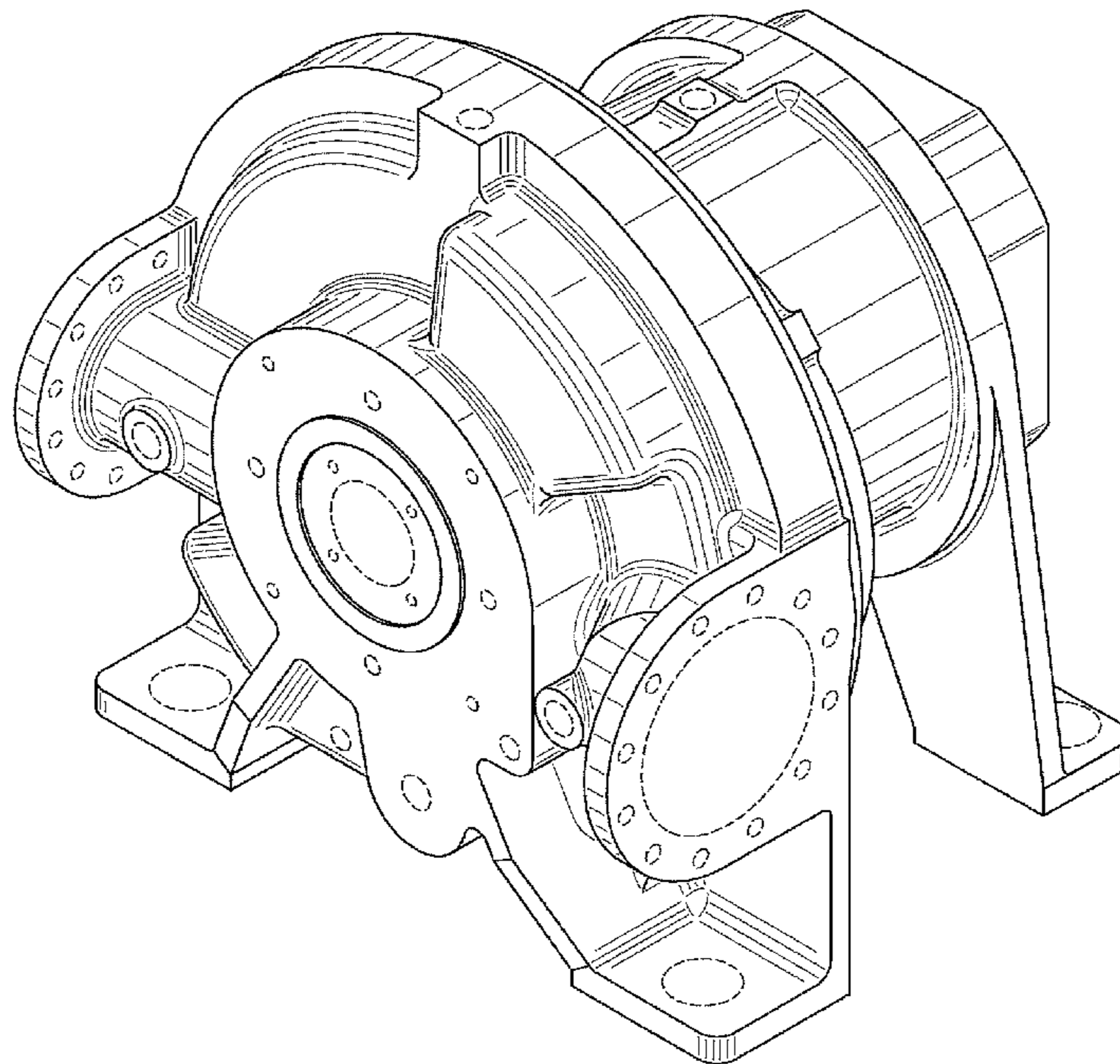
FIG. 6 is a bottom view thereof.

FIG. 7 is a front view thereof; and,

FIG. 8 is a rear view thereof.

The broken lines are included as boundary lines and form no part of the claimed design. The bearing supports and end caps are not shown and do not form part of the claimed design.

1 Claim, 8 Drawing Sheets



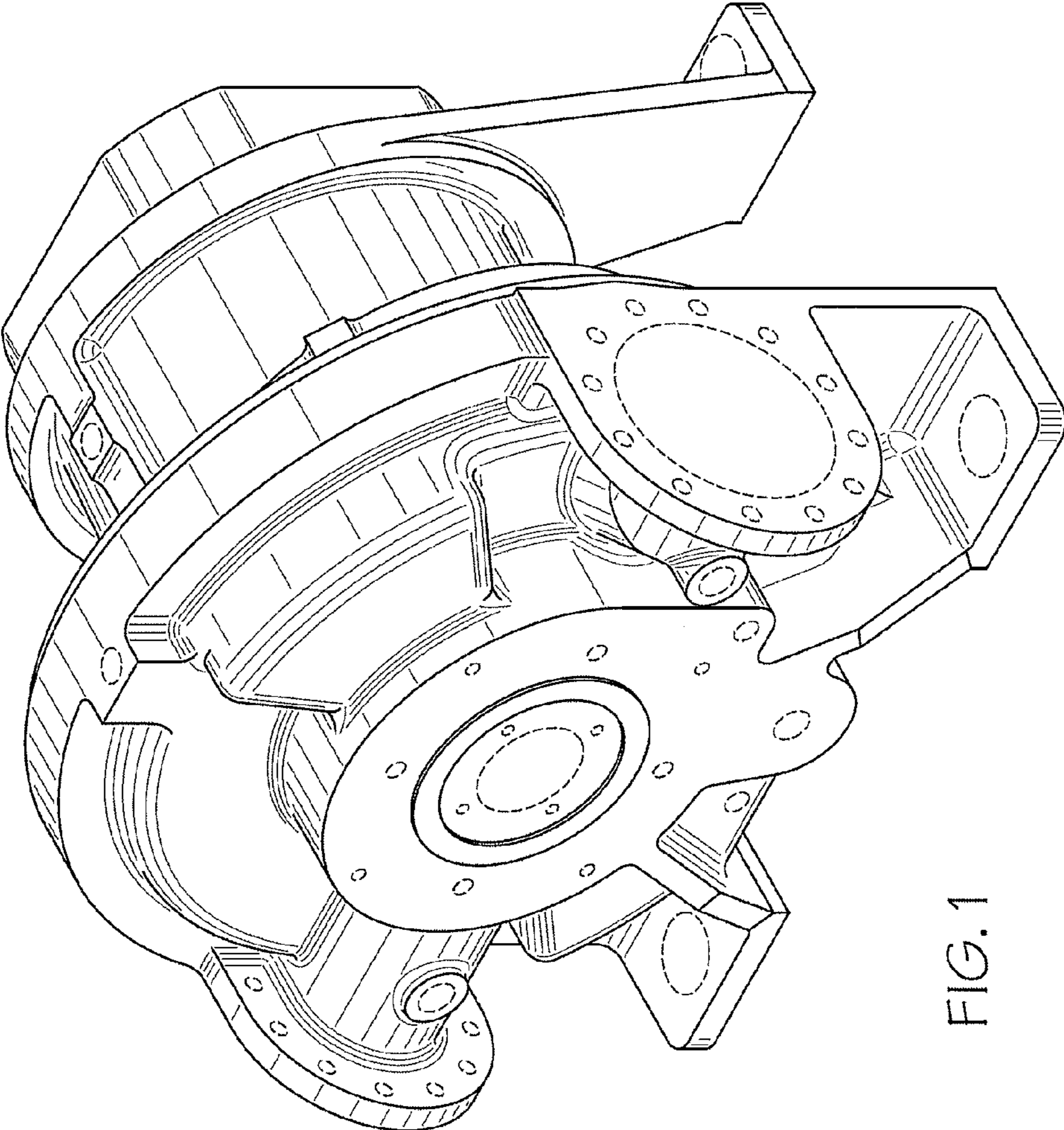


FIG. 1

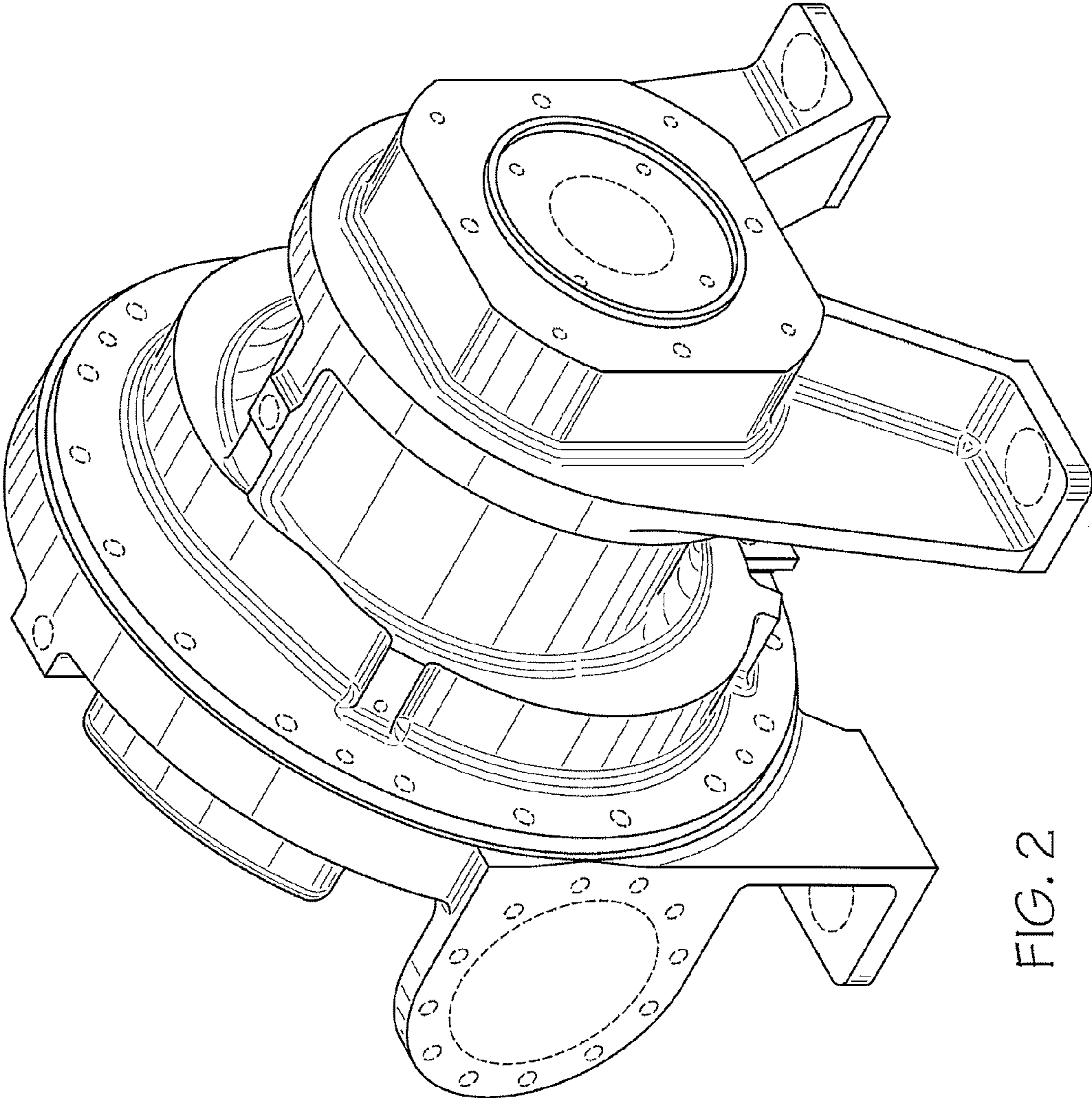


FIG. 2

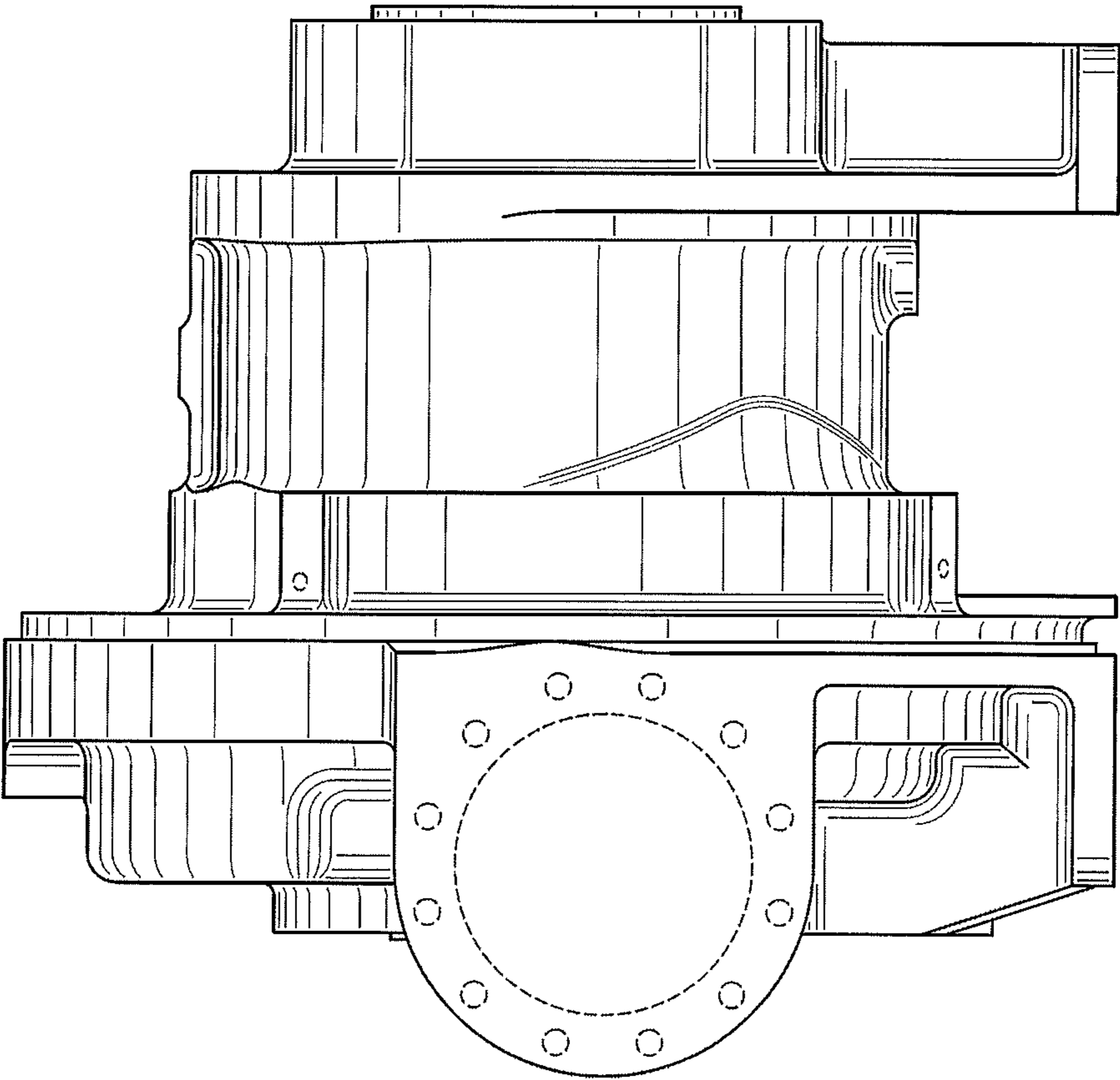


FIG. 3

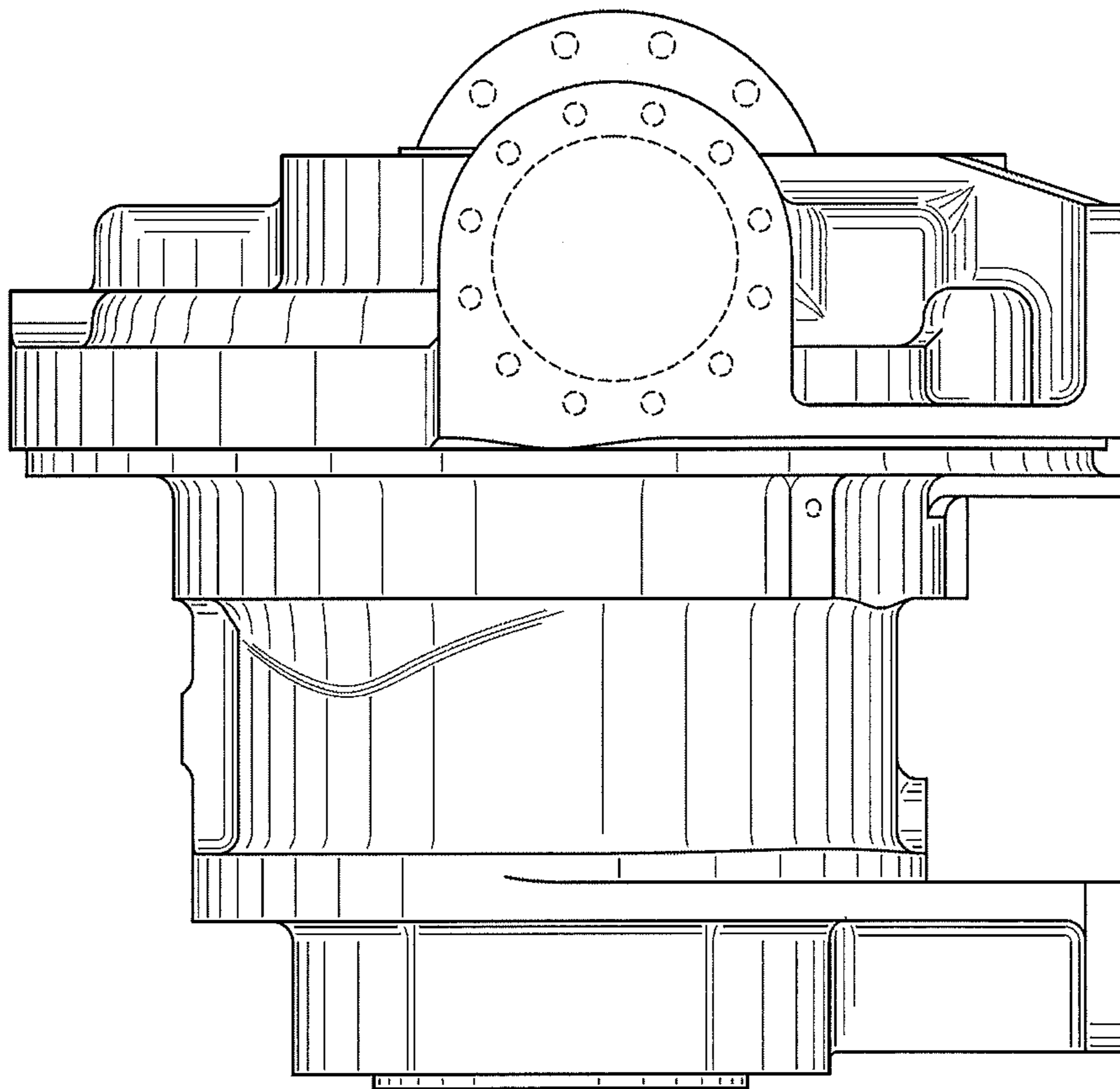


FIG. 4

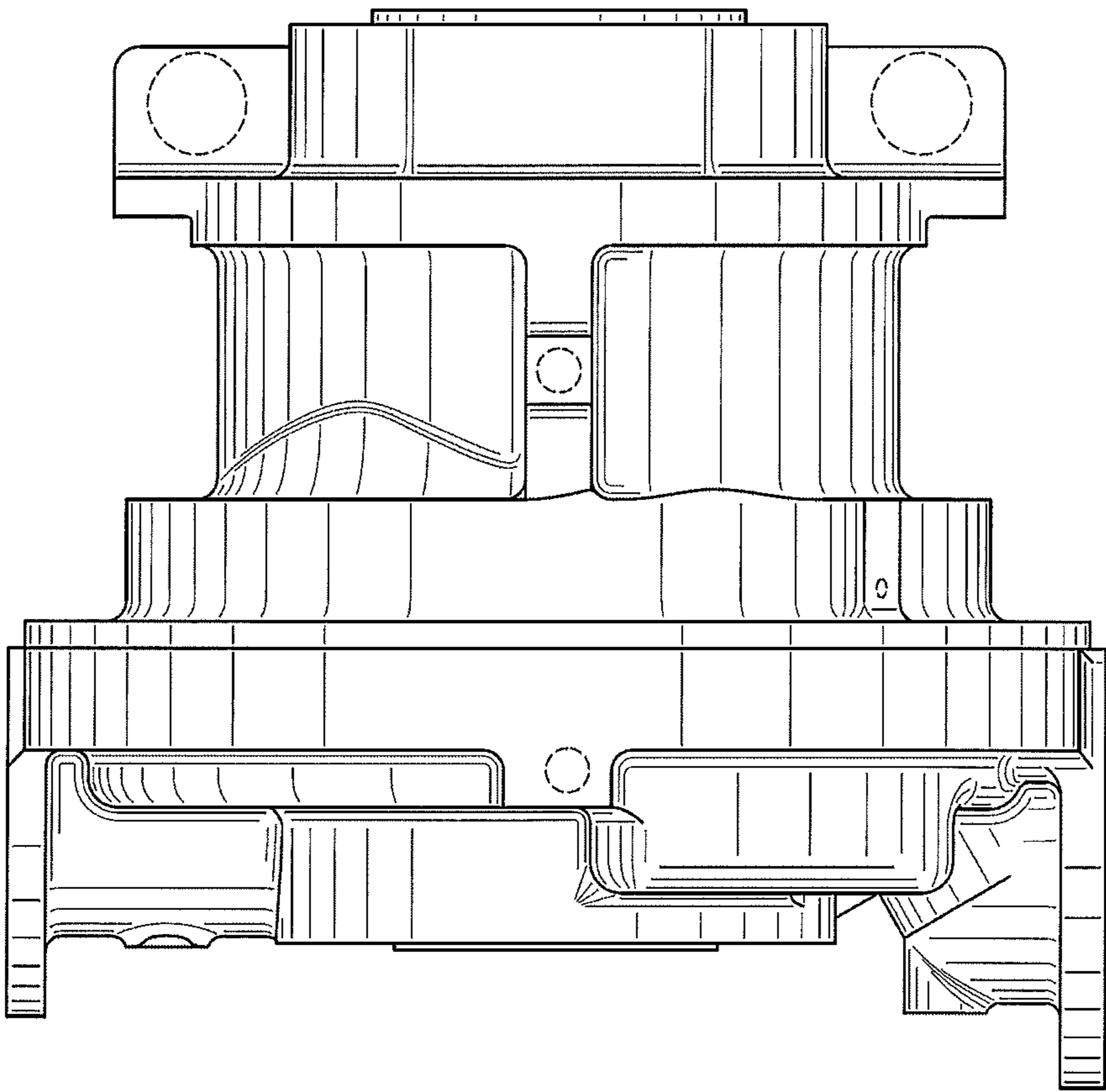


FIG. 5

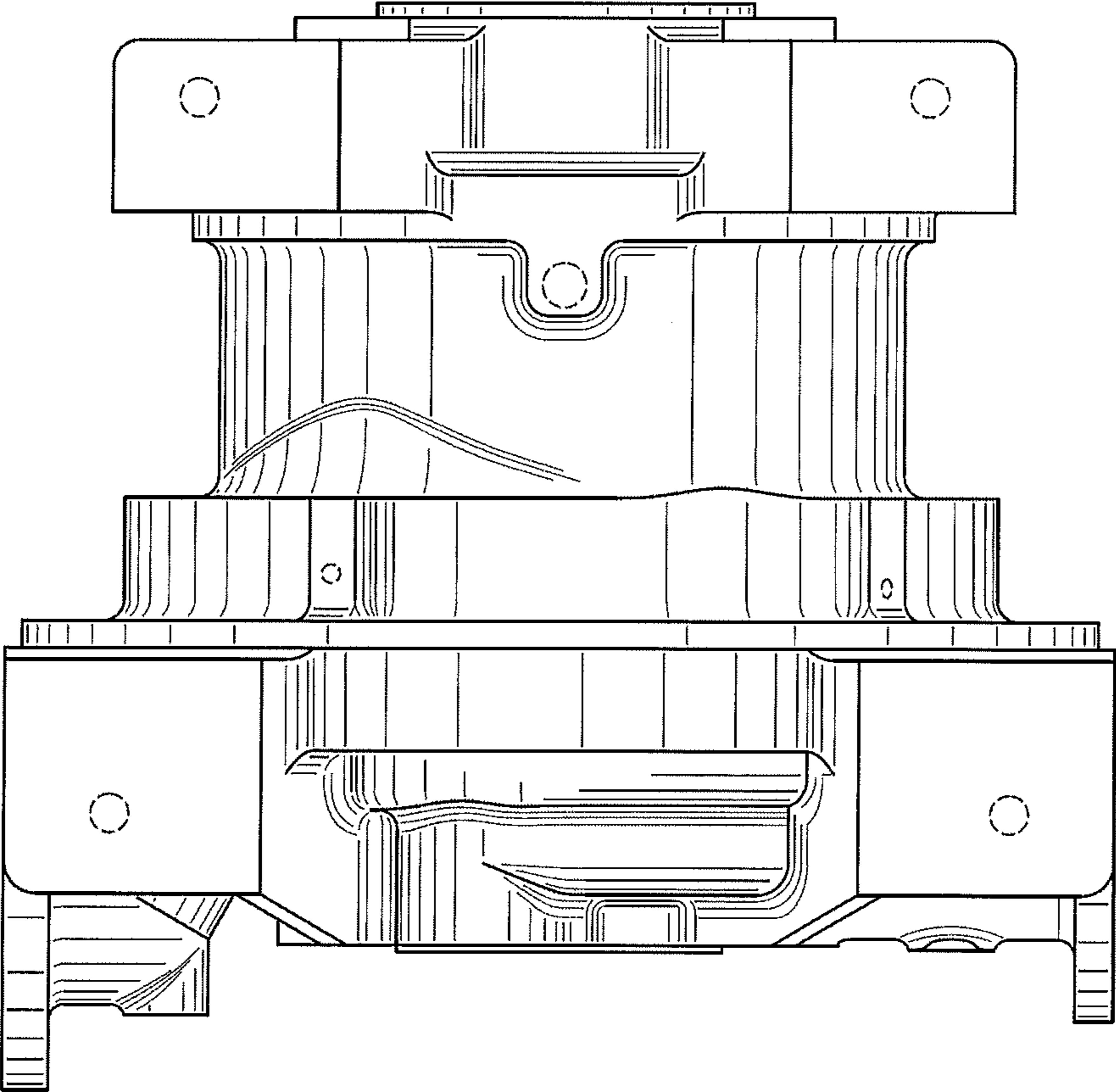


FIG. 6

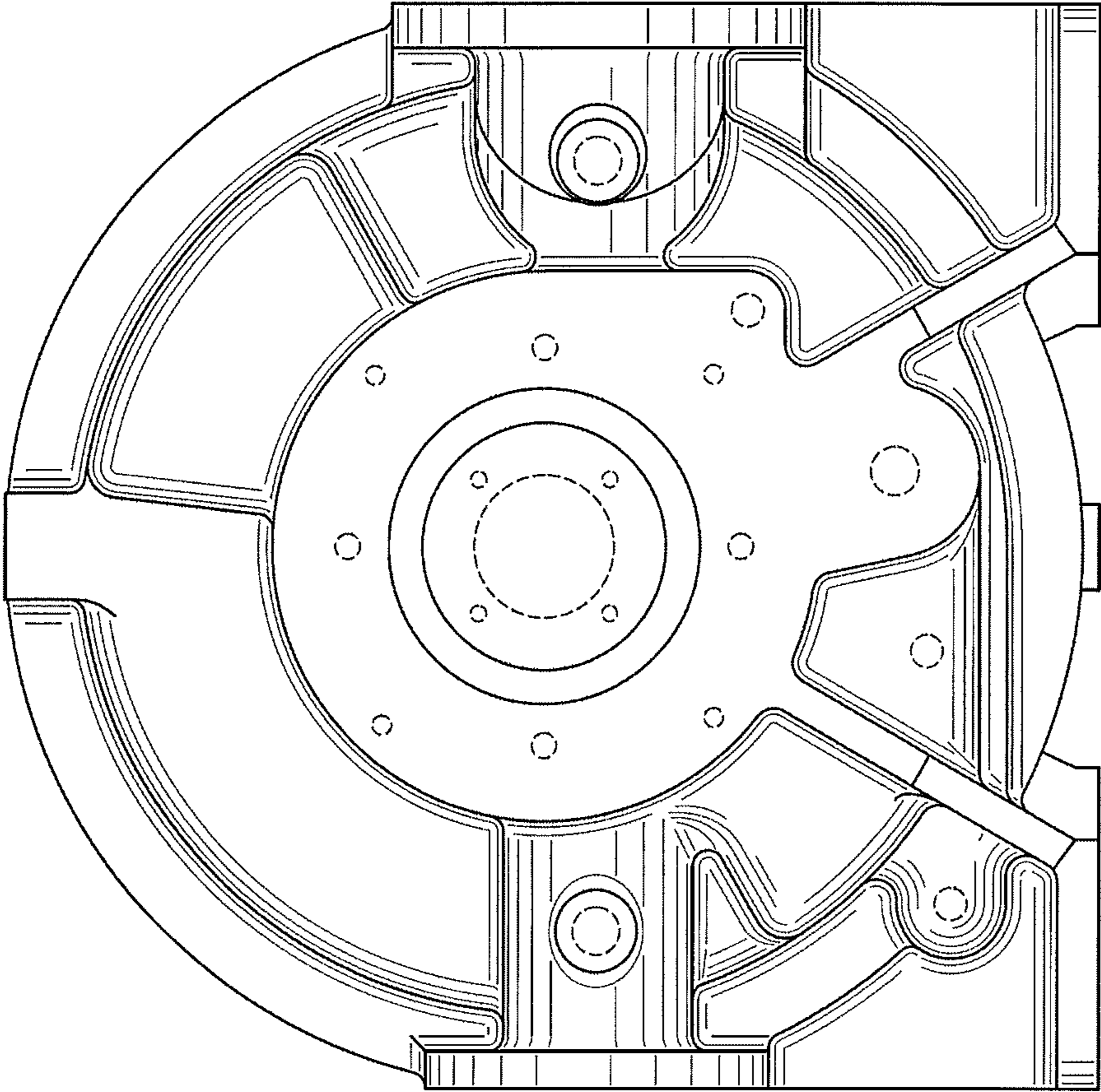


FIG. 7

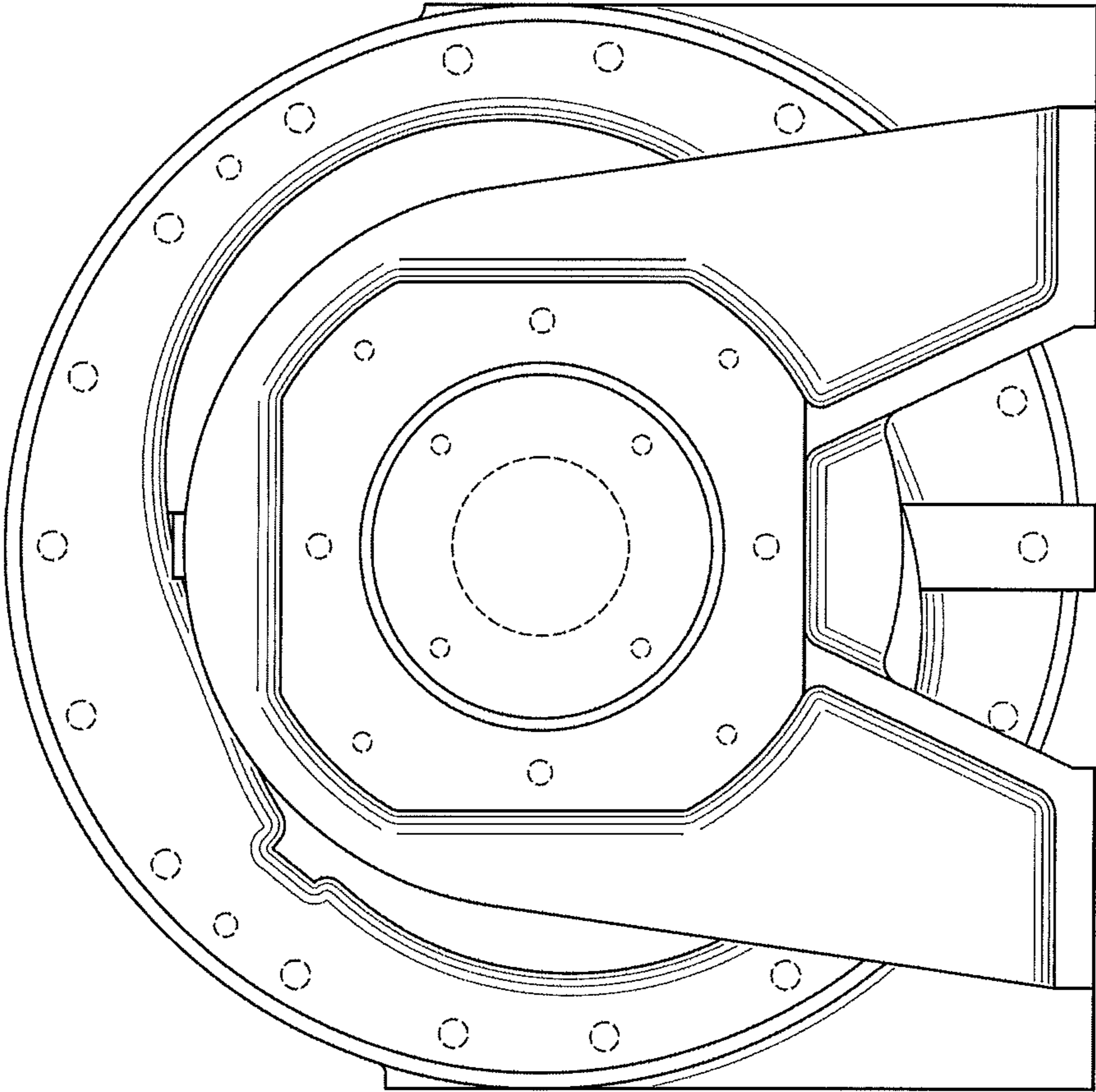


FIG. 8