



US00D704747S

(12) **United States Design Patent**
Richard

(10) **Patent No.:** **US D704,747 S**

(45) **Date of Patent:** **** *May 13, 2014**

(54) **CATALYTIC CONVERTER EXHAUST TRAP**

(71) Applicant: **Kenneth Richard**, Covington, GA (US)

(72) Inventor: **Kenneth Richard**, Covington, GA (US)

(*) Notice: This patent is subject to a terminal disclaimer.

(**) Term: **14 Years**

(21) Appl. No.: **29/469,682**

(22) Filed: **Oct. 11, 2013**

(51) **LOC (10) Cl.** **15-01**

(52) **U.S. Cl.**
USPC **D15/5**

(58) **Field of Classification Search**
USPC D15/1-5; 422/179, 177, 211, 213;
136/253; 60/302, 299; D12/400, 194;
D23/365

See application file for complete search history.

(56) **References Cited**

U.S. PATENT DOCUMENTS

1,807,512	A *	5/1931	Culp	181/278
4,209,495	A *	6/1980	Kobayashi et al.	422/176
4,521,532	A *	6/1985	Cho	502/439
5,207,807	A *	5/1993	Manfre et al.	55/282.1
5,474,745	A *	12/1995	Fukui et al.	422/171
5,729,902	A *	3/1998	Wieres et al.	29/890
7,198,400	B2 *	4/2007	Unterlander et al.	366/336

7,993,599	B2 *	8/2011	Leveson	422/198
8,444,752	B2 *	5/2013	Beall et al.	95/273
2005/0232830	A1 *	10/2005	Bruck	422/180
2006/0080953	A1 *	4/2006	Maus et al.	60/286
2006/0177358	A1 *	8/2006	Lee	422/174
2007/0204751	A1 *	9/2007	Wirth et al.	96/290
2009/0041967	A1 *	2/2009	Tomosue et al.	428/36.8
2009/0229259	A1 *	9/2009	Mizutani	60/297
2010/0287915	A1 *	11/2010	Zhan et al.	60/297
2011/0189055	A1 *	8/2011	Stuckey	422/180
2012/0093697	A1 *	4/2012	Iwakura et al.	422/177
2013/0028808	A1 *	1/2013	Kim et al.	422/171
2013/0104531	A1 *	5/2013	Cho et al.	60/302

* cited by examiner

Primary Examiner — T. Chase Nelson

Assistant Examiner — Ania Aman

(74) *Attorney, Agent, or Firm* — Michael J. Bootcheck, LLC

(57) **CLAIM**

The ornamental design for a catalytic converter exhaust trap, as shown and described.

DESCRIPTION

FIG. 1 is a perspective view of the catalytic converter exhaust trap;

FIG. 2 is another perspective view thereof;

FIG. 3 is an end view thereof;

FIG. 4 is the opposite end view thereof;

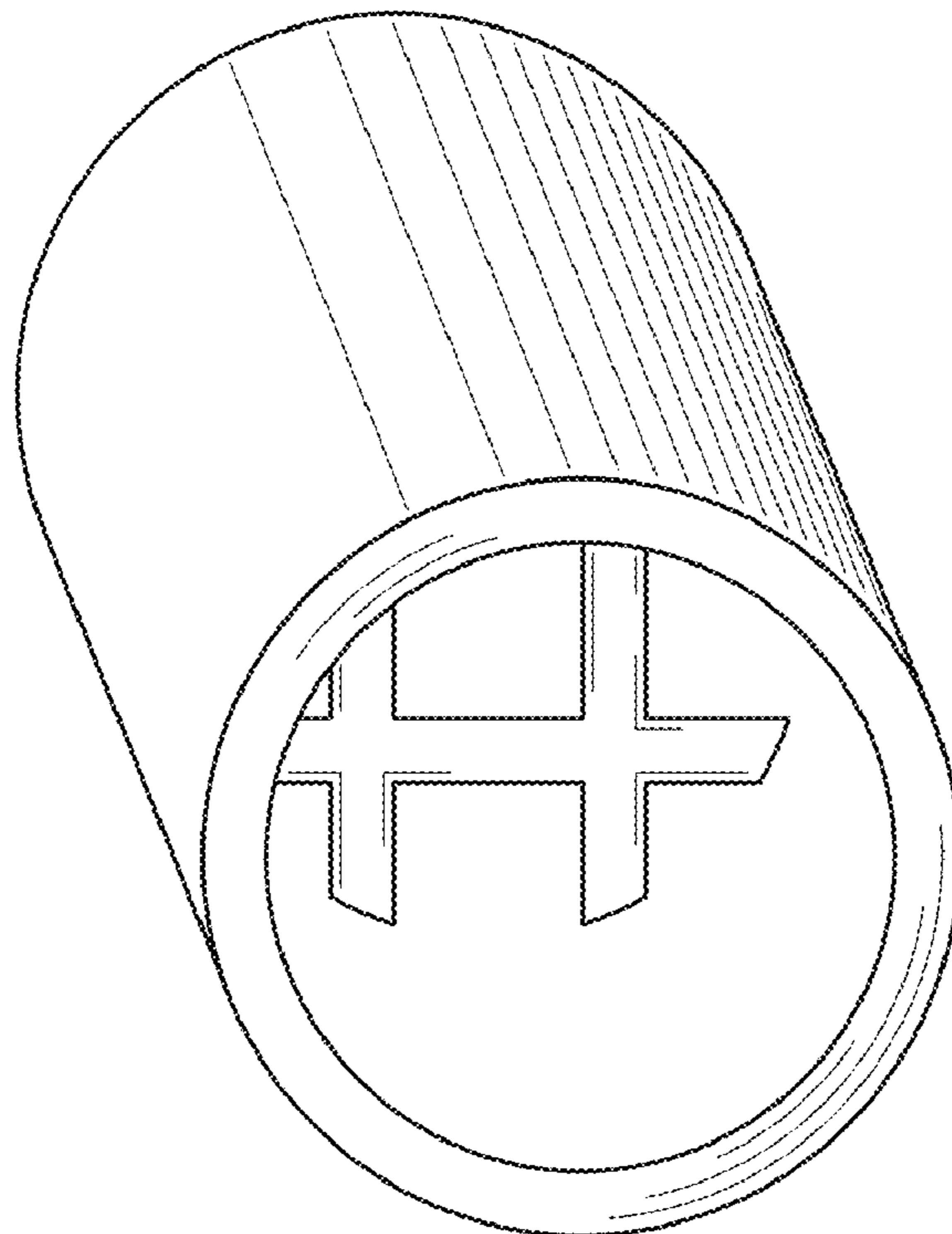
FIG. 5 is a side view thereof;

FIG. 6 is another side view thereof;

FIG. 7 is another side view thereof; and,

FIG. 8 is another side view thereof.

1 Claim, 2 Drawing Sheets



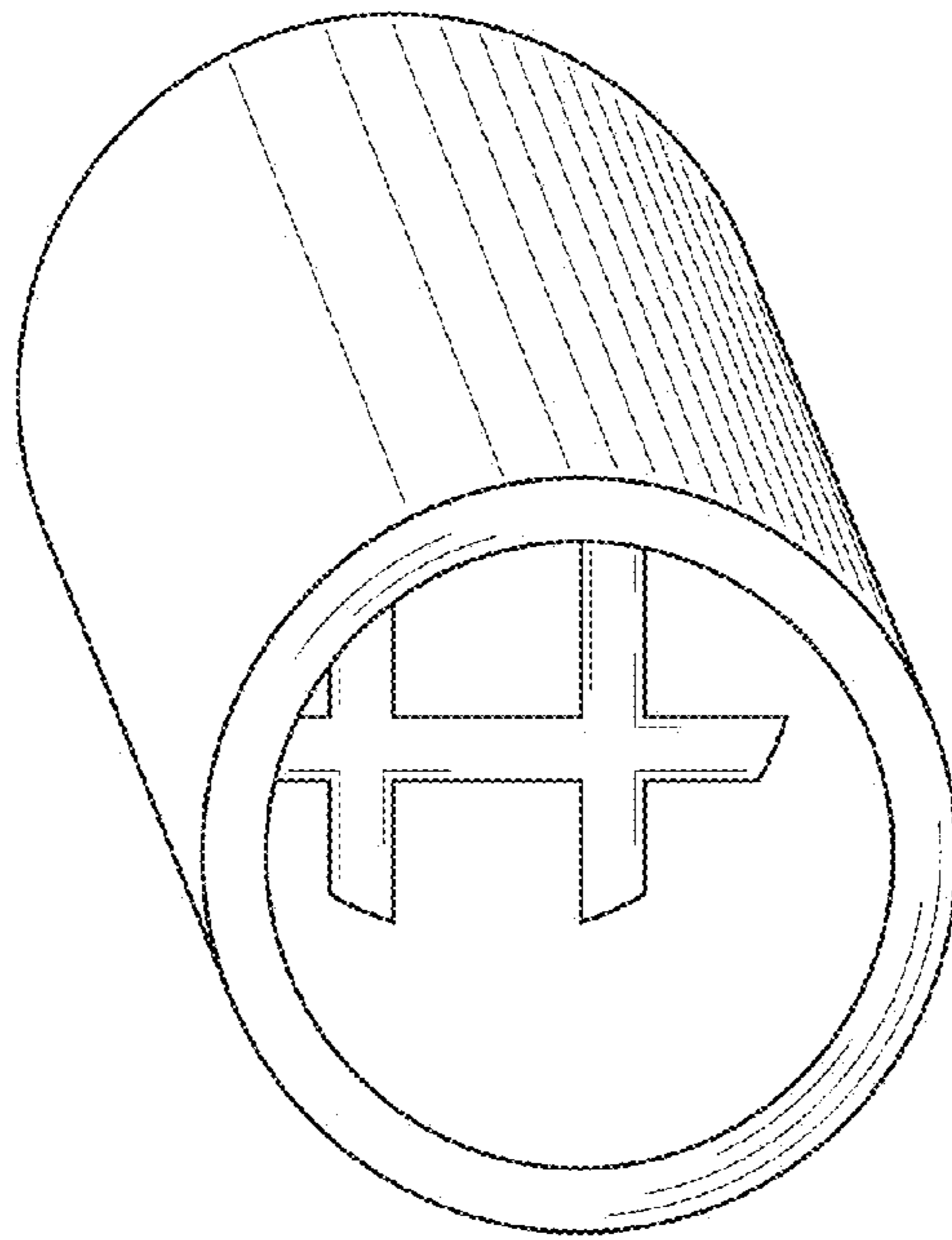


FIG. 1

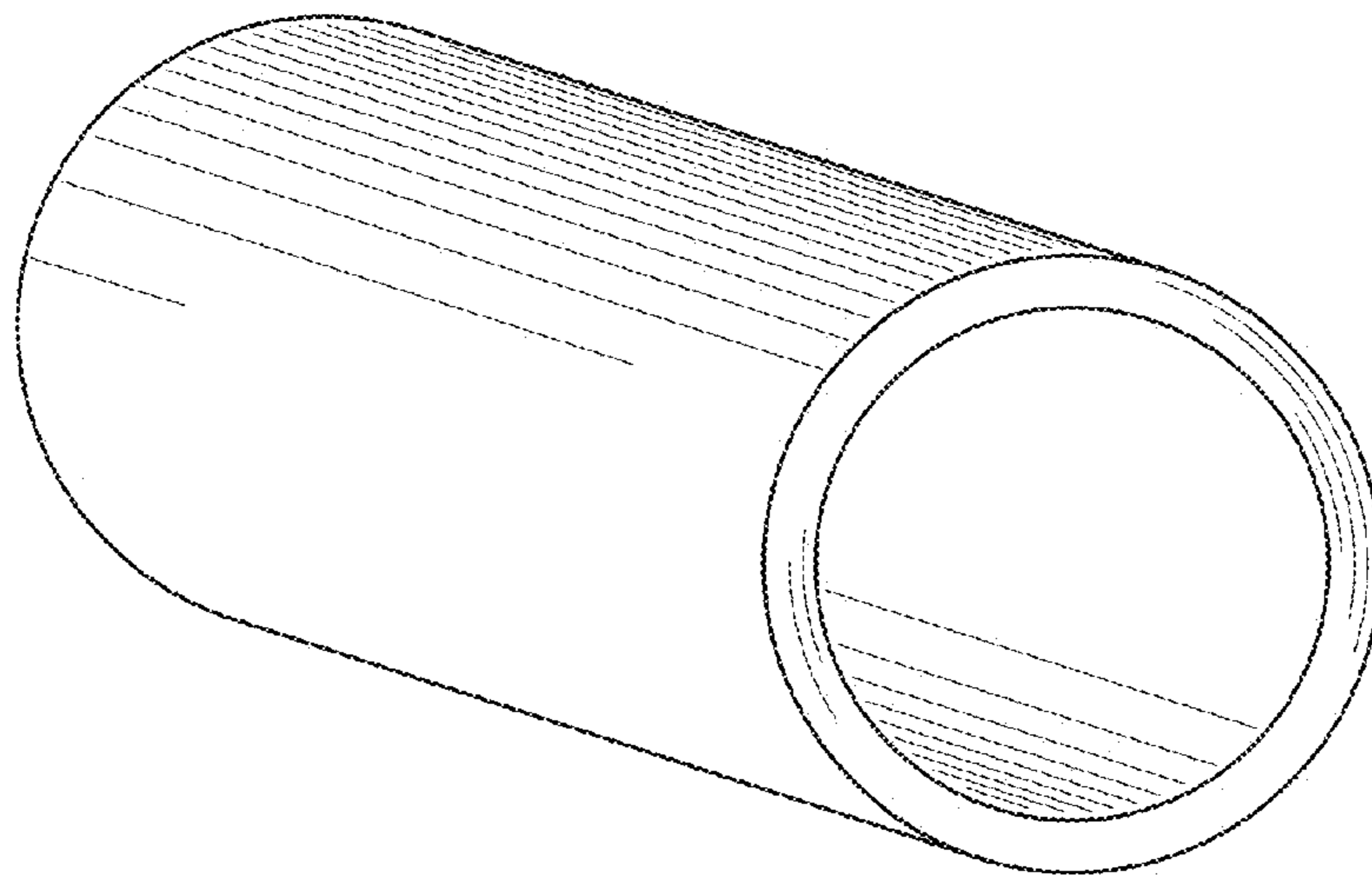


FIG. 2

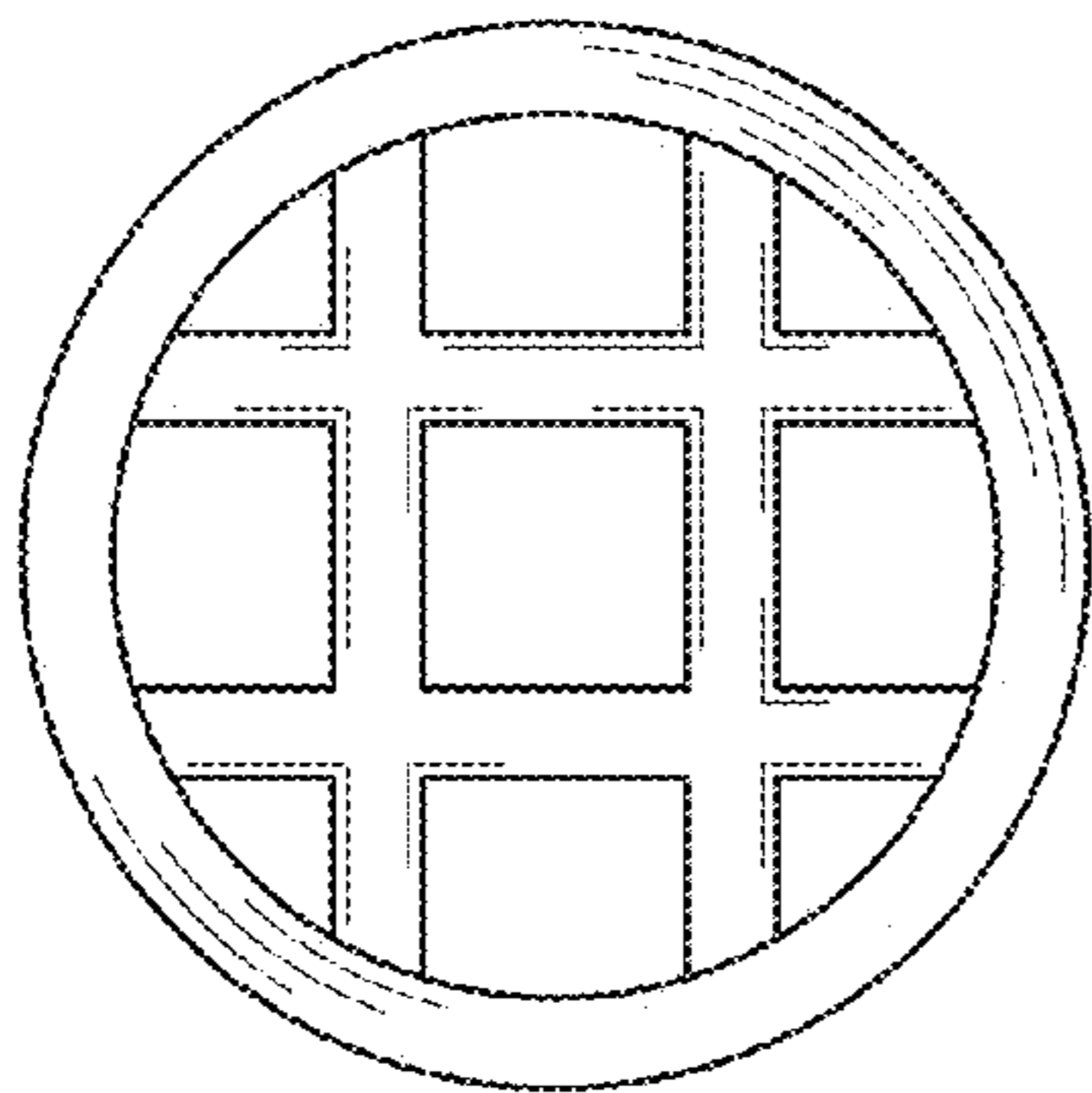


FIG. 3

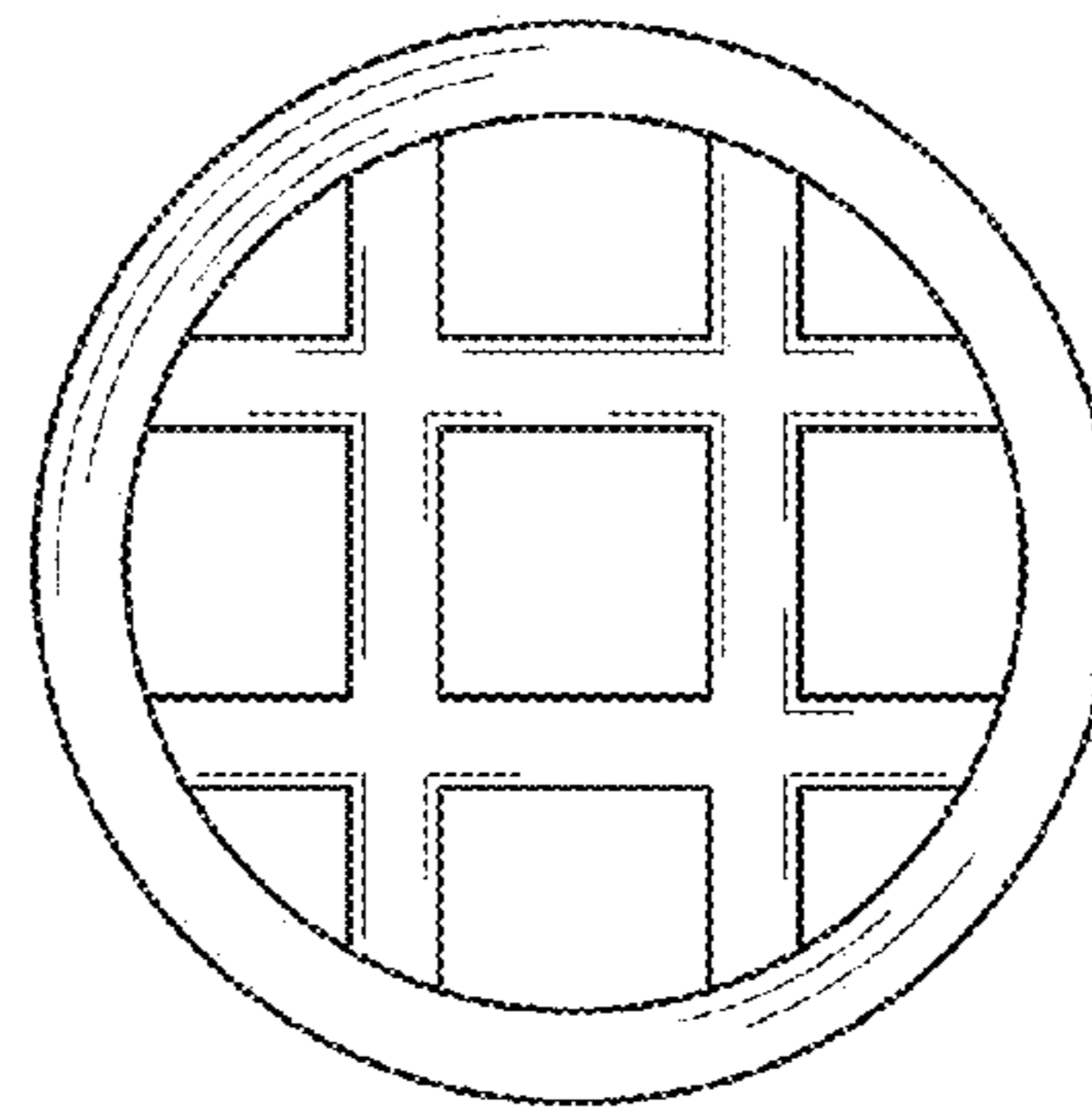


FIG. 4

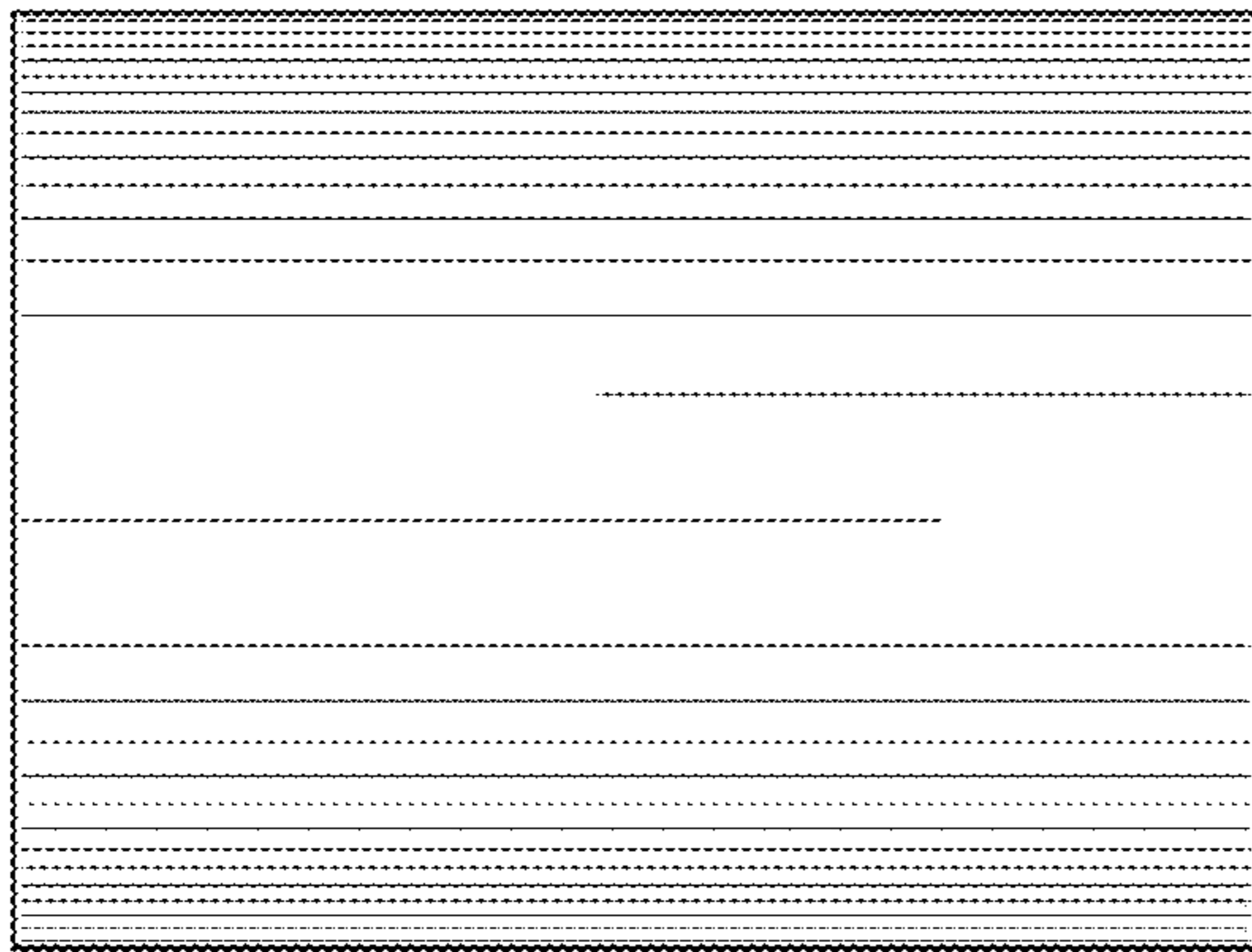


FIG. 5

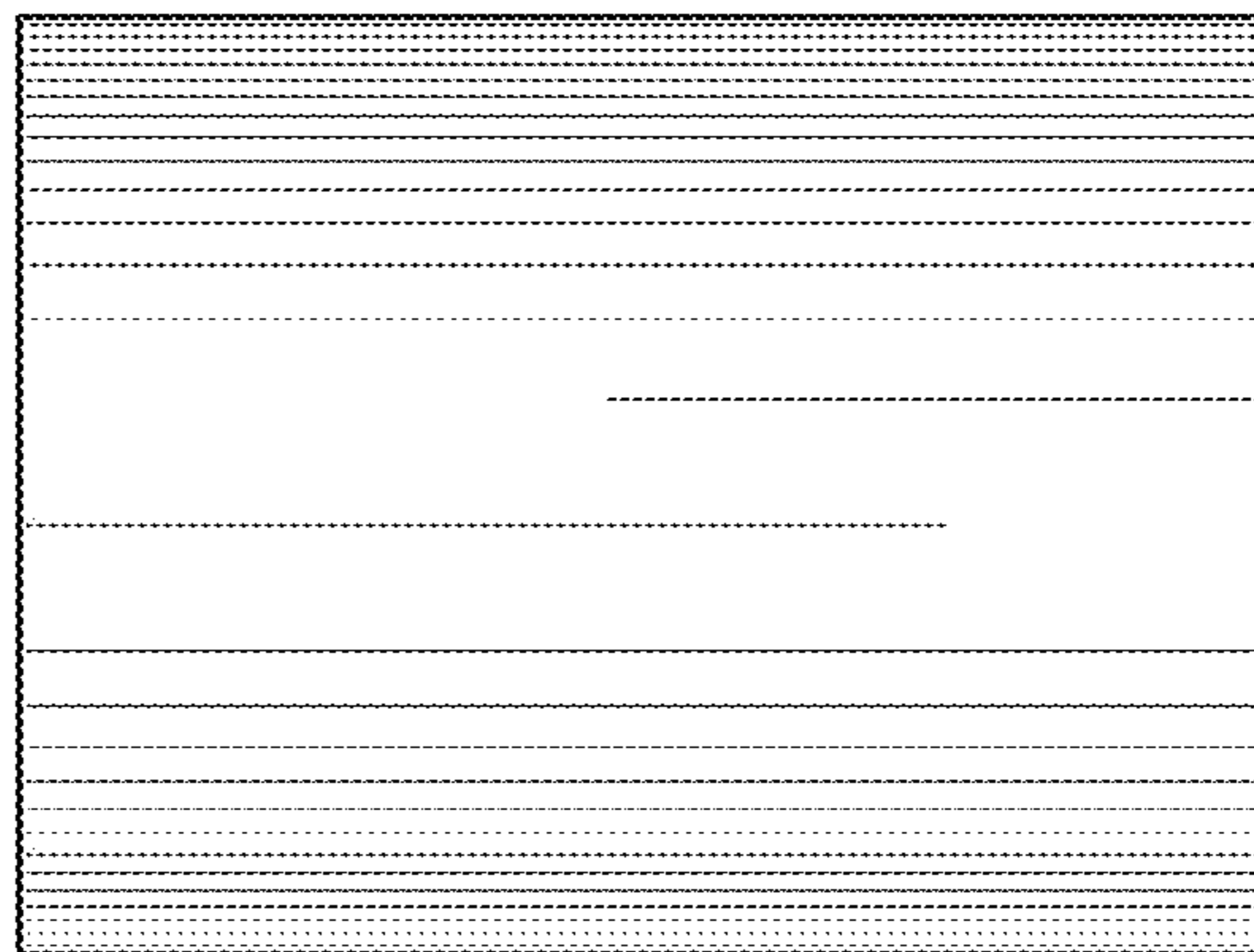


FIG. 6

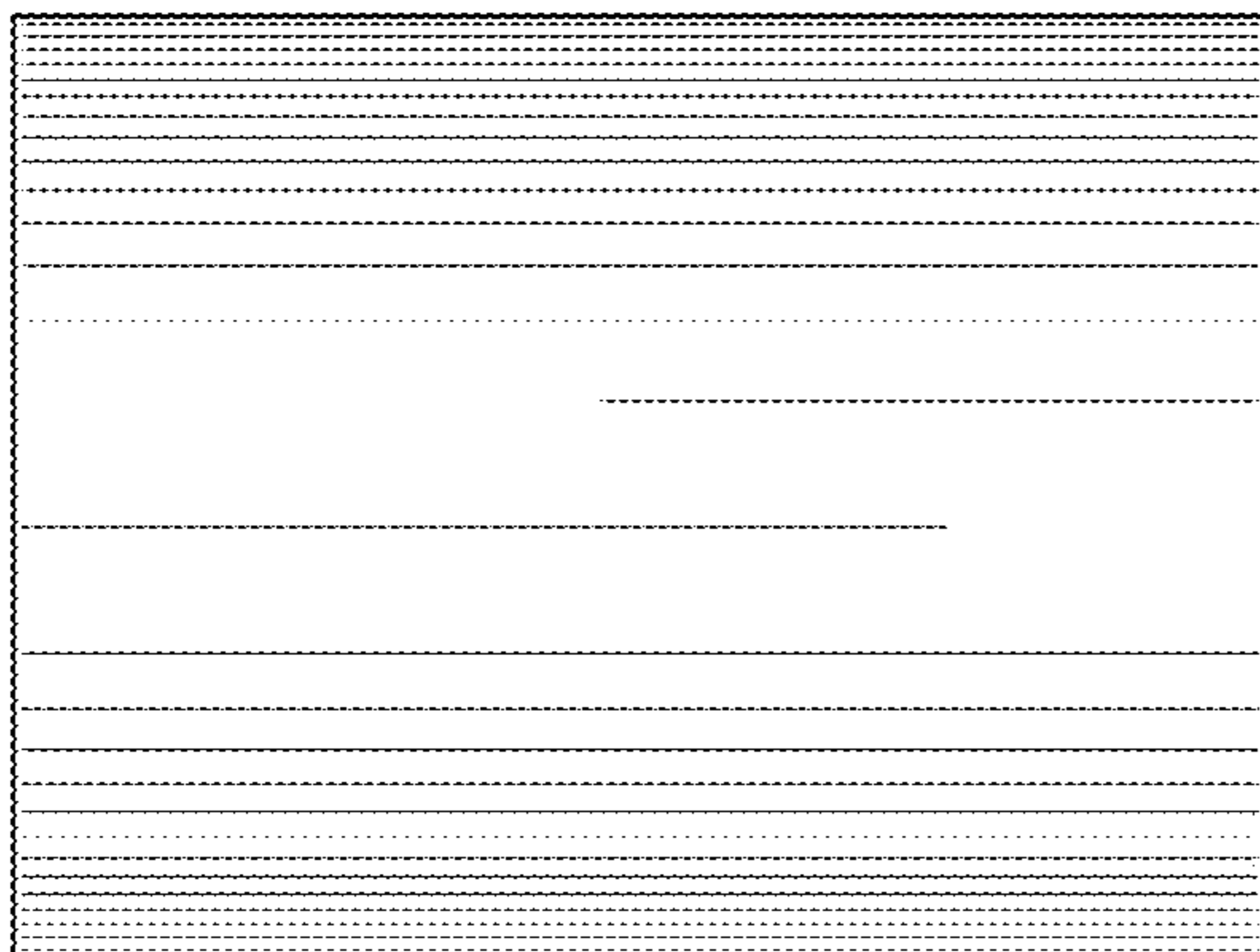


FIG. 7

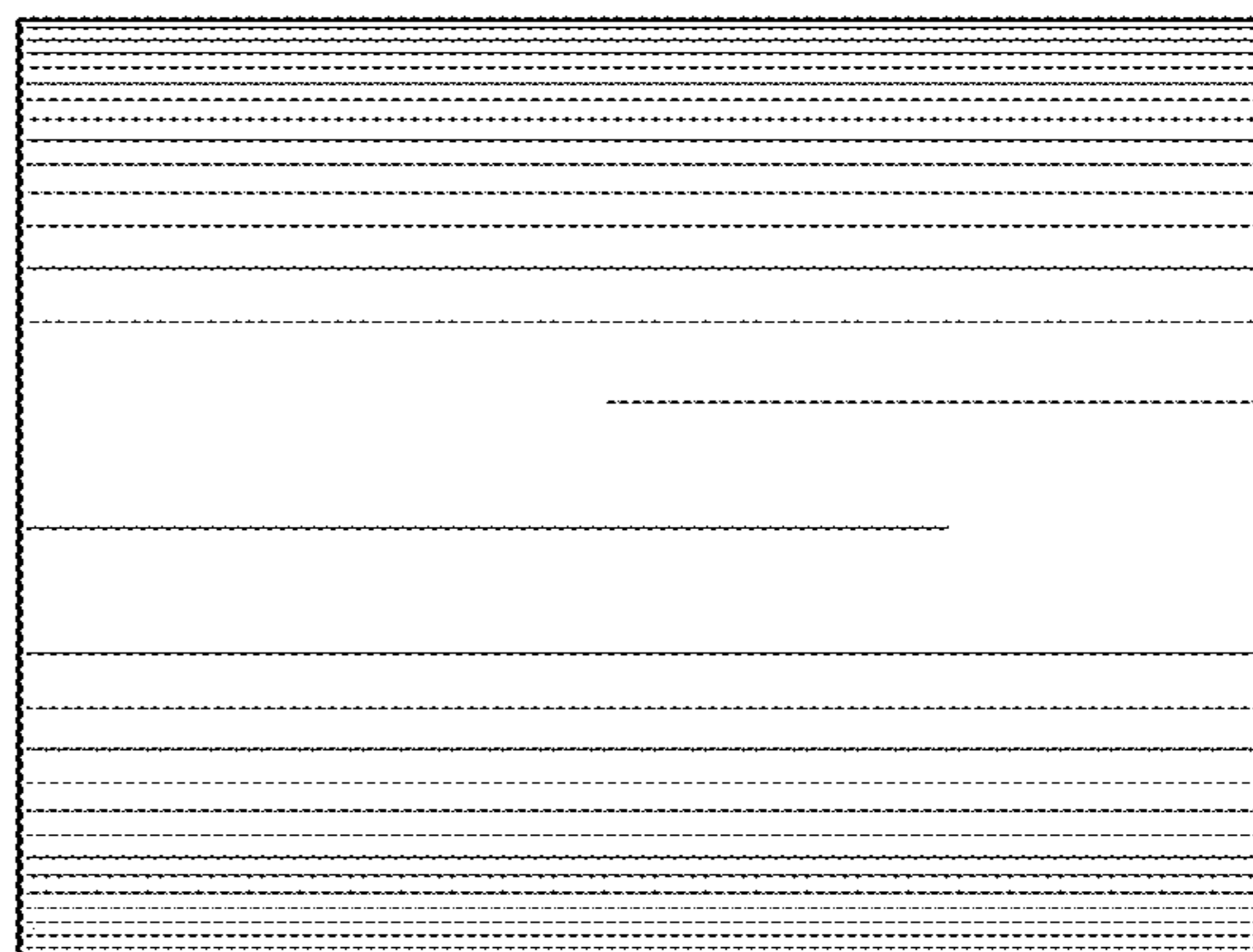


FIG. 8