



US00D704744S

(12) **United States Design Patent**
Shuto et al.

(10) **Patent No.:** **US D704,744 S**

(45) **Date of Patent:** **** May 13, 2014**

(54) **CYLINDER BLOCK FOR INTERNAL COMBUSTION ENGINES**

6,543,334 B2 * 4/2003 Yamauchi 92/140
6,988,480 B2 * 1/2006 Hughes et al. 123/195 R
6,990,943 B2 * 1/2006 Koyama 123/193.2

(71) Applicant: **Honda Motor Co., Ltd**, Tokyo (JP)

* cited by examiner

(72) Inventors: **Yosuihiro Shuto**, Wako (JP); **Makoto Hamahara**, Tokyo (JP)

Primary Examiner — T. Chase Nelson

Assistant Examiner — Ania Aman

(73) Assignee: **Honda Motor Co., Ltd**, Tokyo (JP)

(74) *Attorney, Agent, or Firm* — Westerman, Hattori, Daniels & Adrian, LLP

(**) Term: **14 Years**

(57) **CLAIM**

The ornamental design for a cylinder block for internal combustion engines, as shown and described.

(21) Appl. No.: **29/458,445**

DESCRIPTION

(22) Filed: **Jun. 19, 2013**

(30) **Foreign Application Priority Data**

Dec. 19, 2012 (JP) 2012-030985

(51) **LOC (10) CL.** **15-01**

(52) **U.S. CL.**
USPC **D15/5**

(58) **Field of Classification Search**
USPC D15/1-5; 123/193.2, 195 R, 196 R,
123/41.84, 41.74
See application file for complete search history.

FIG. 1 is a front elevation view of the cylinder block for internal combustion engines showing our new design;
FIG. 2 is a rear elevation view of the cylinder block for internal combustion engines;
FIG. 3 is a right side elevation view of the cylinder block for internal combustion engines;
FIG. 4 is a left side elevation view of the cylinder block for internal combustion engines;
FIG. 5 is a top plan view of the cylinder block for internal combustion engines;
FIG. 6 is a bottom plan view of the cylinder block for internal combustion engines;
FIG. 7 is a front perspective view of the cylinder block for internal combustion engines as seen from the right upper side;
FIG. 8 is a front perspective view of the cylinder block for internal combustion engines as seen from the left lower side;
FIG. 9 is a rear perspective view of the cylinder block for internal combustion engines as seen from the left upper side;
and,
FIG. 10 is a rear perspective view of the cylinder block for internal combustion engine as seen from the right lower side.

(56) **References Cited**

U.S. PATENT DOCUMENTS

4,683,844 A * 8/1987 Arai et al. 123/41.74
4,712,517 A * 12/1987 Anno et al. 123/41.74
4,757,790 A * 7/1988 Ushio et al. 123/193.2
4,856,462 A * 8/1989 Ushio et al. 123/41.84
4,993,378 A * 2/1991 Sakurahara et al. 123/196 R
5,462,108 A * 10/1995 Katoh et al. 164/98
5,537,969 A * 7/1996 Hata et al. 123/193.2
6,216,658 B1 * 4/2001 Pierro et al. 123/193.2

1 Claim, 10 Drawing Sheets

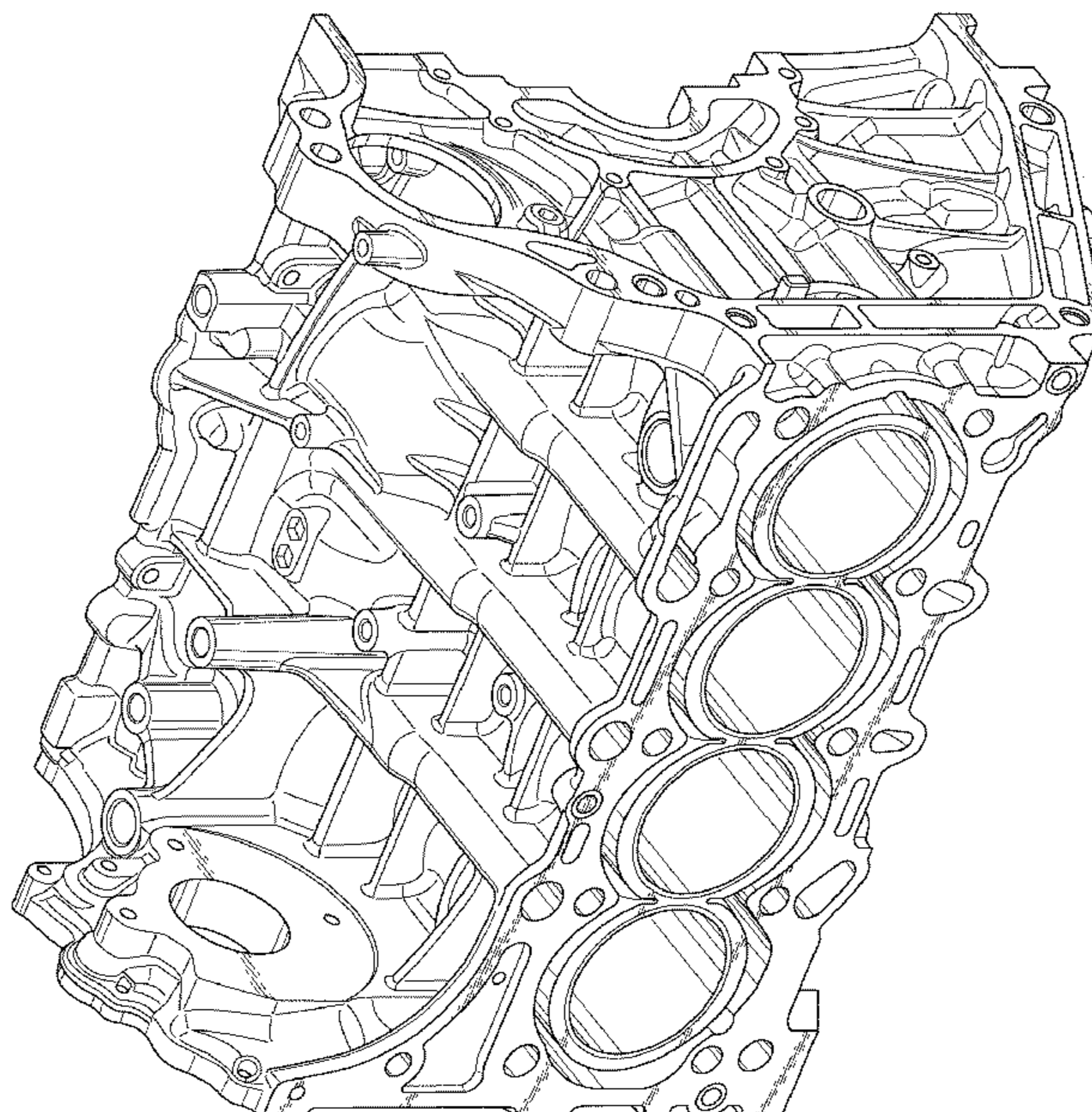


FIG. 1

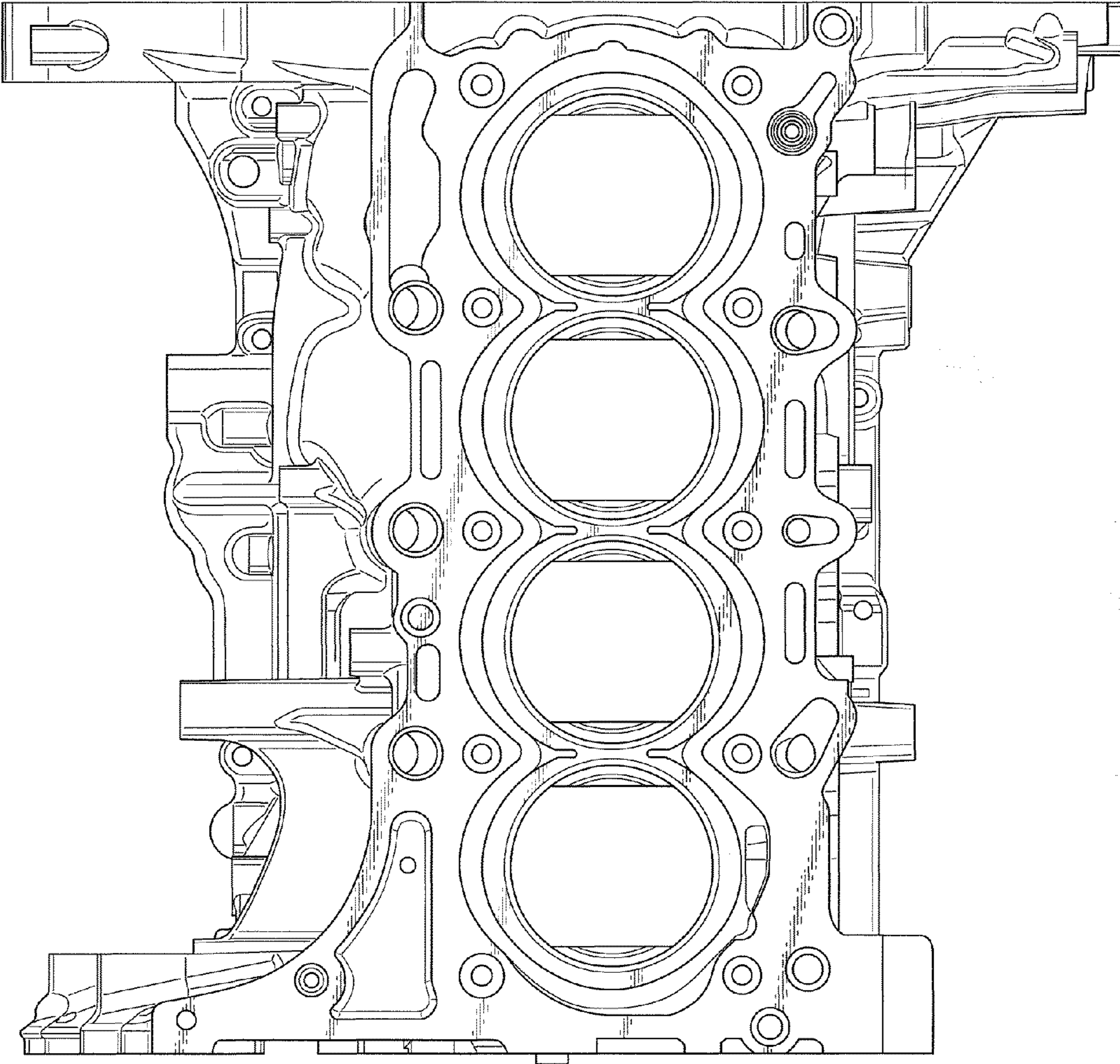


FIG.2

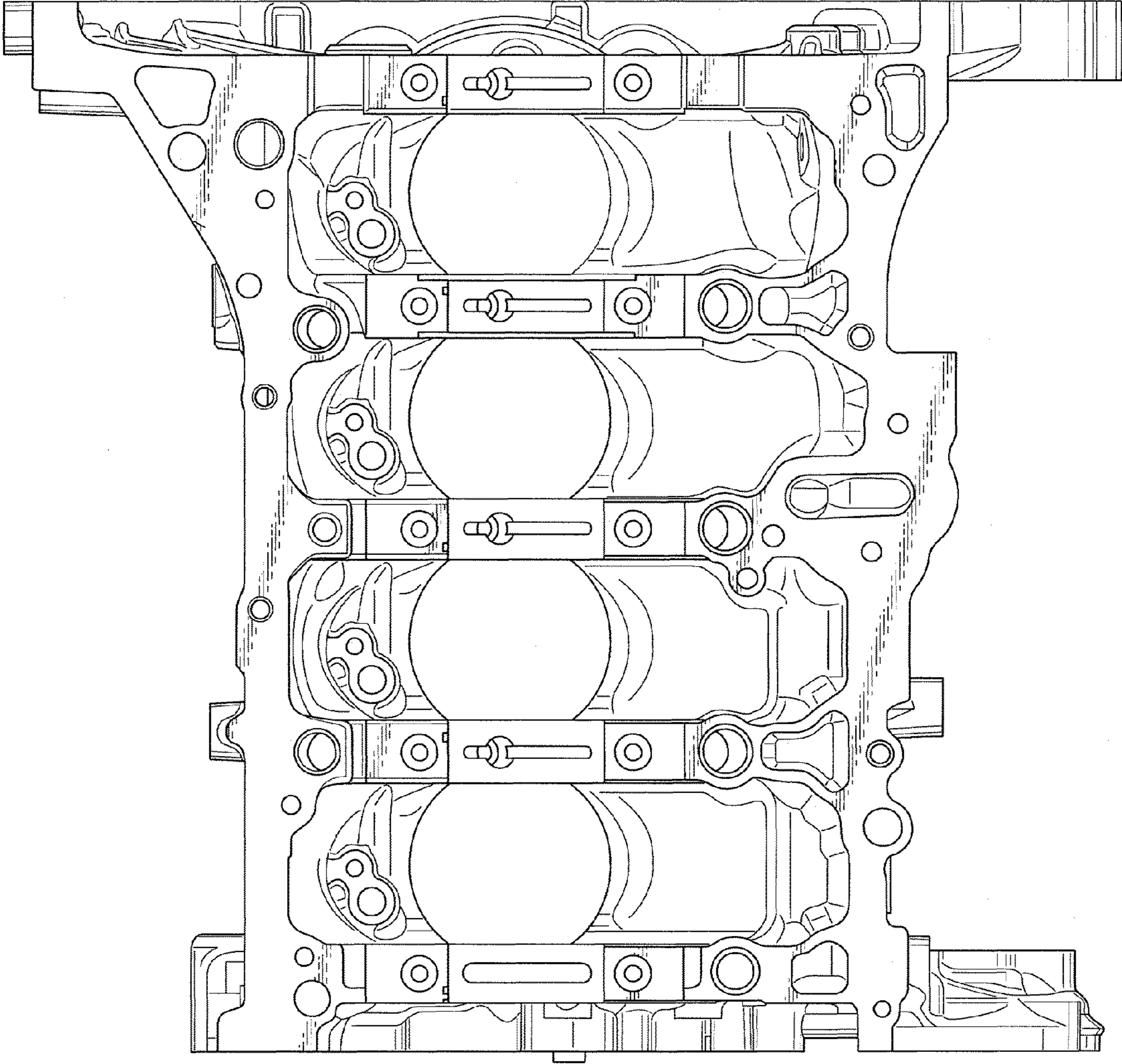


FIG.3

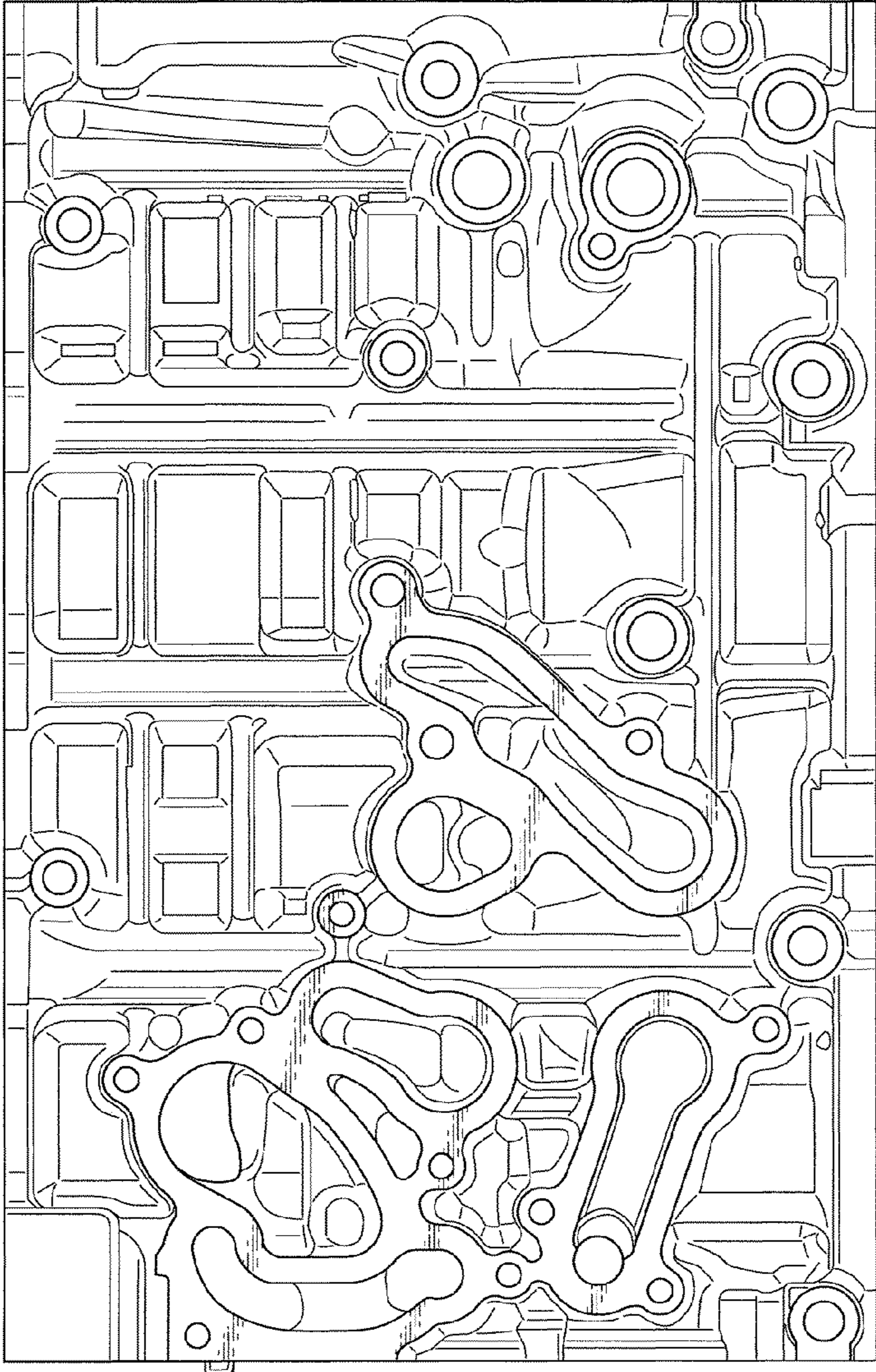


FIG.4

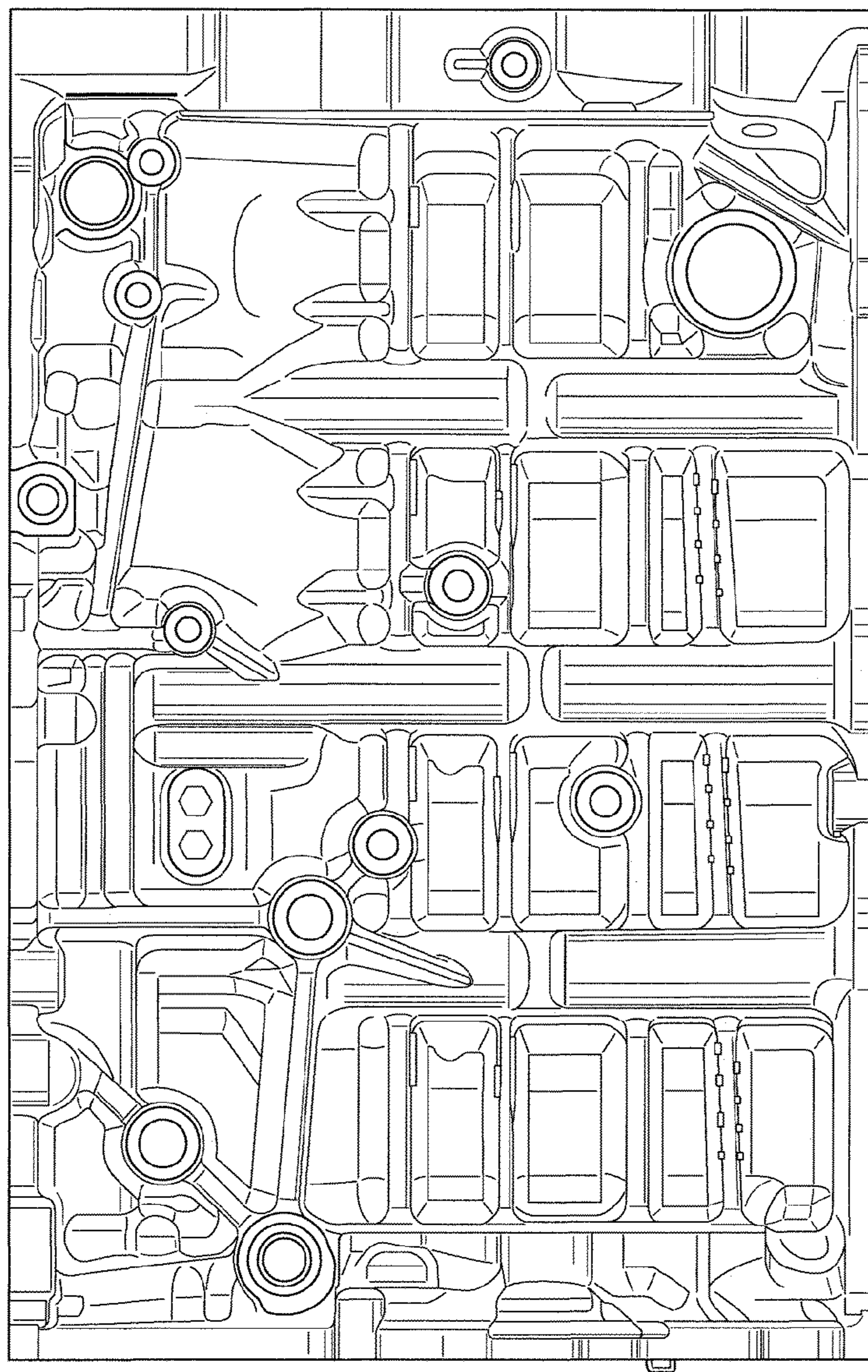


FIG. 5

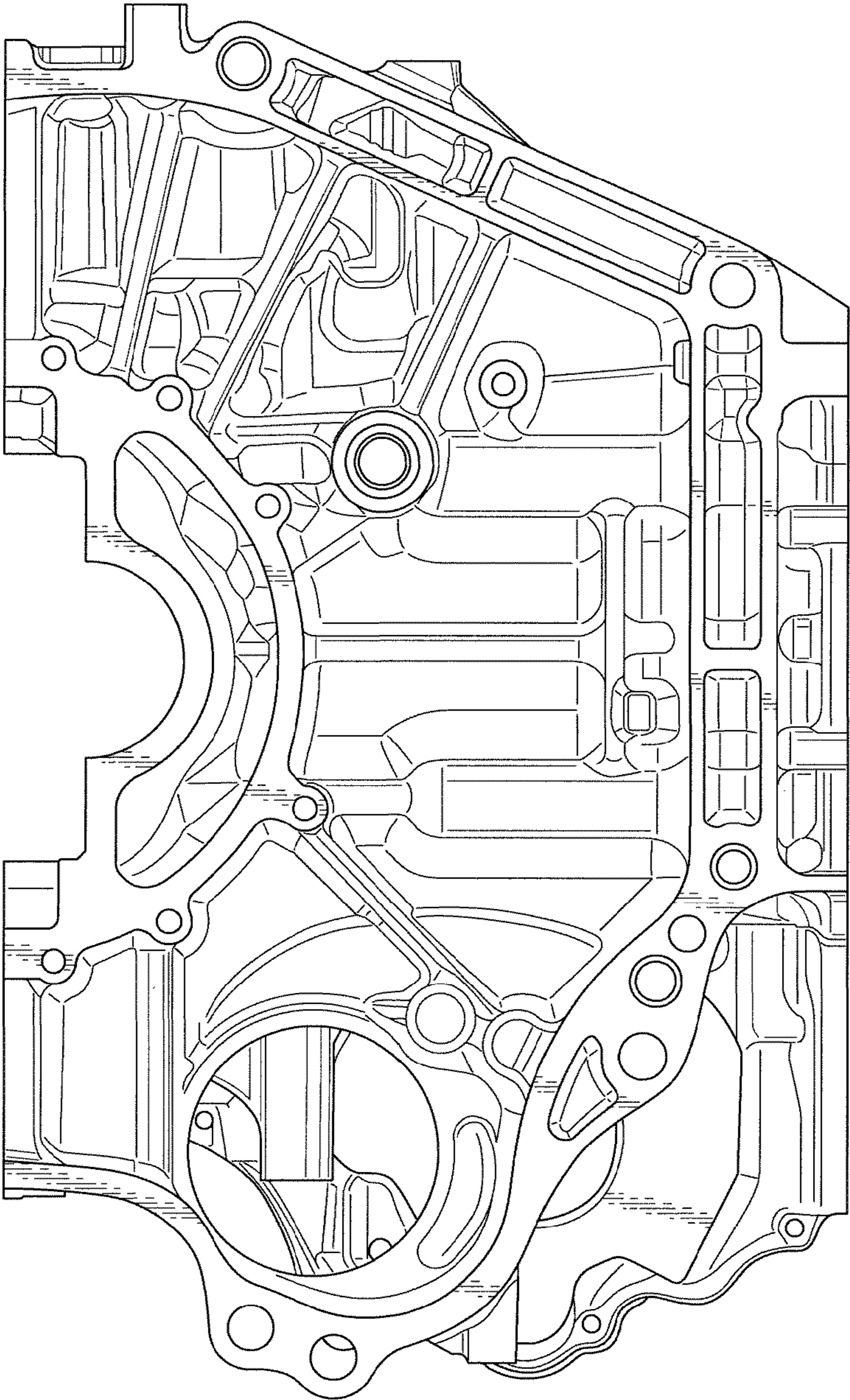


FIG. 6

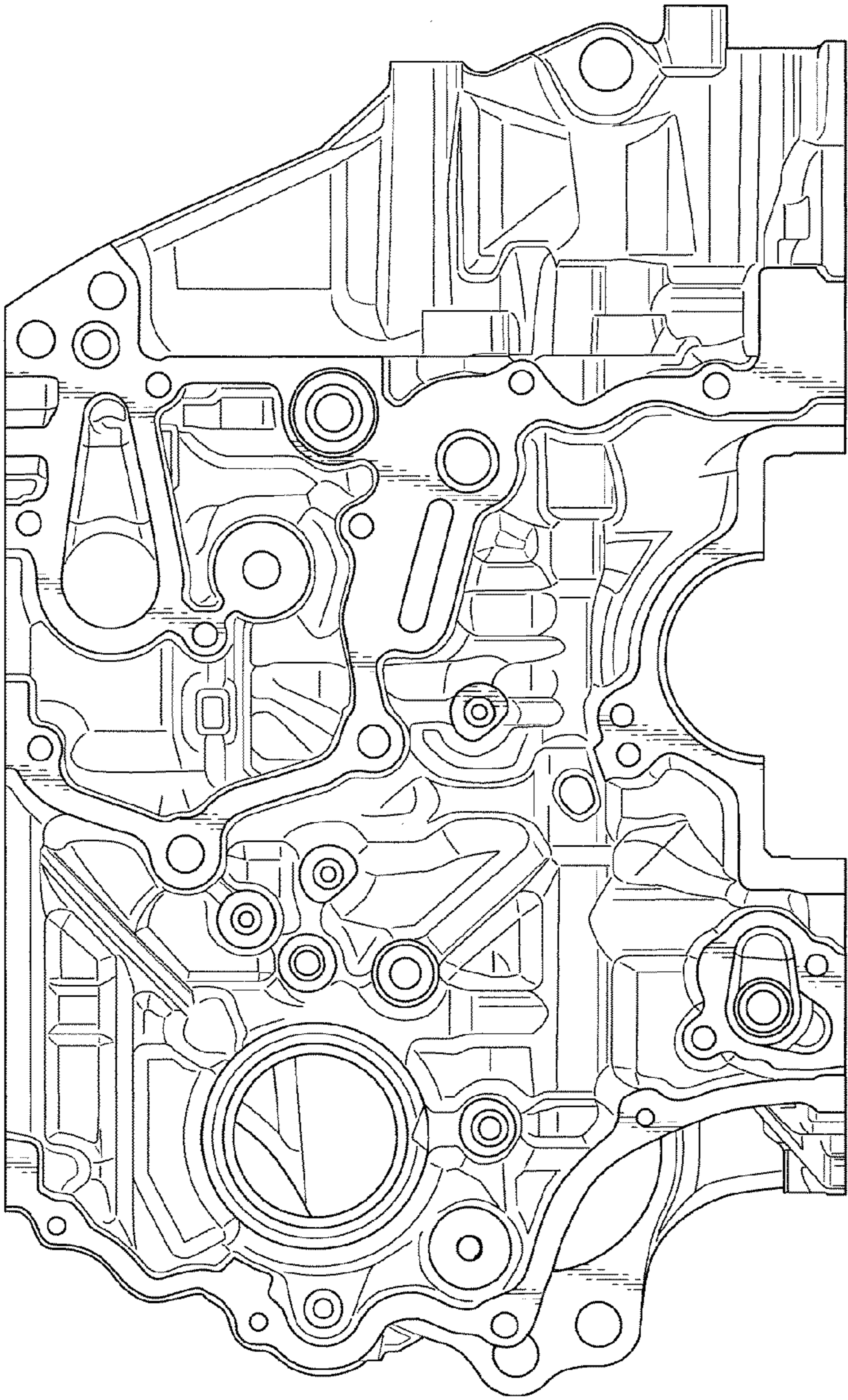


FIG.7

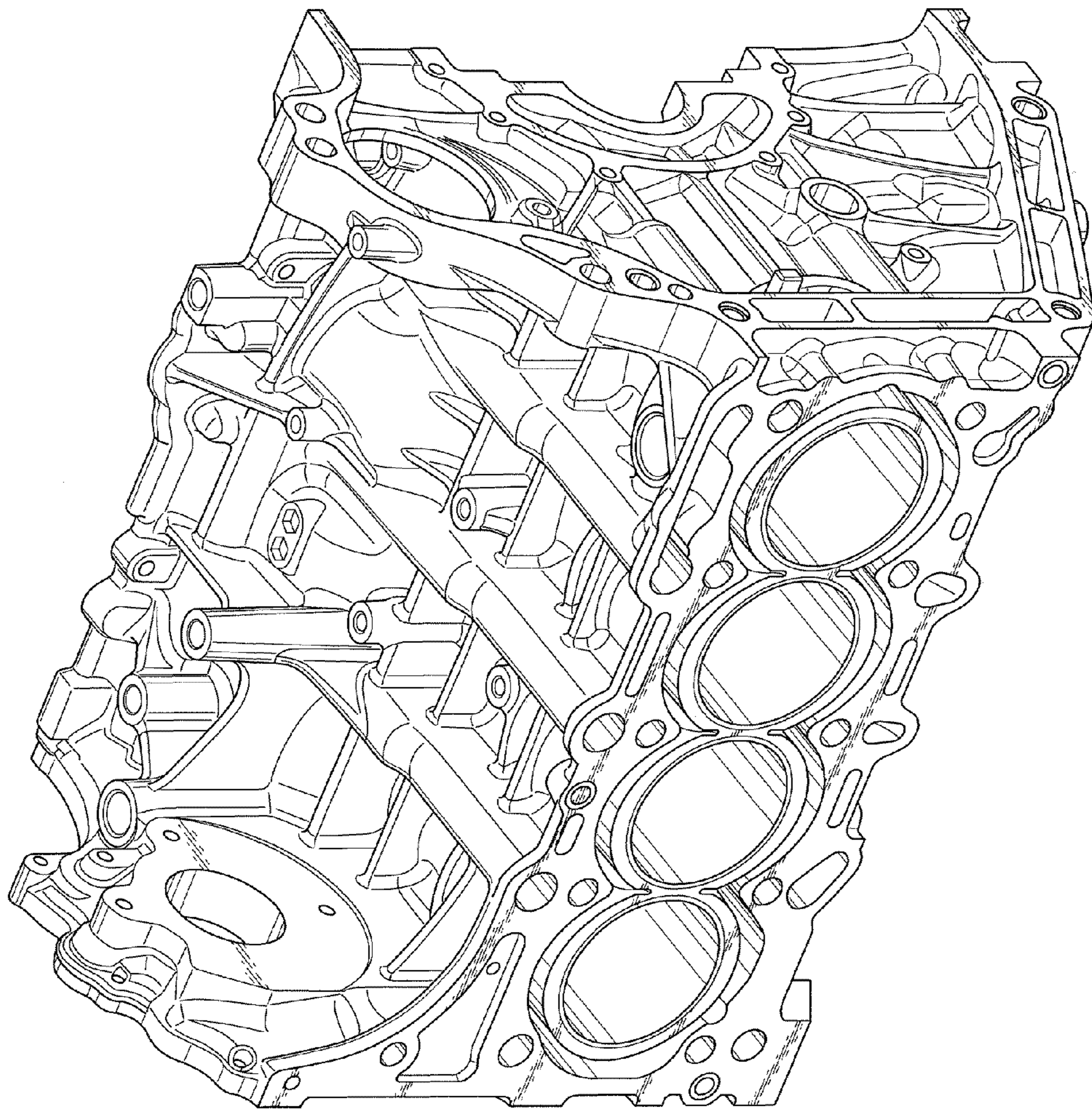


FIG.8

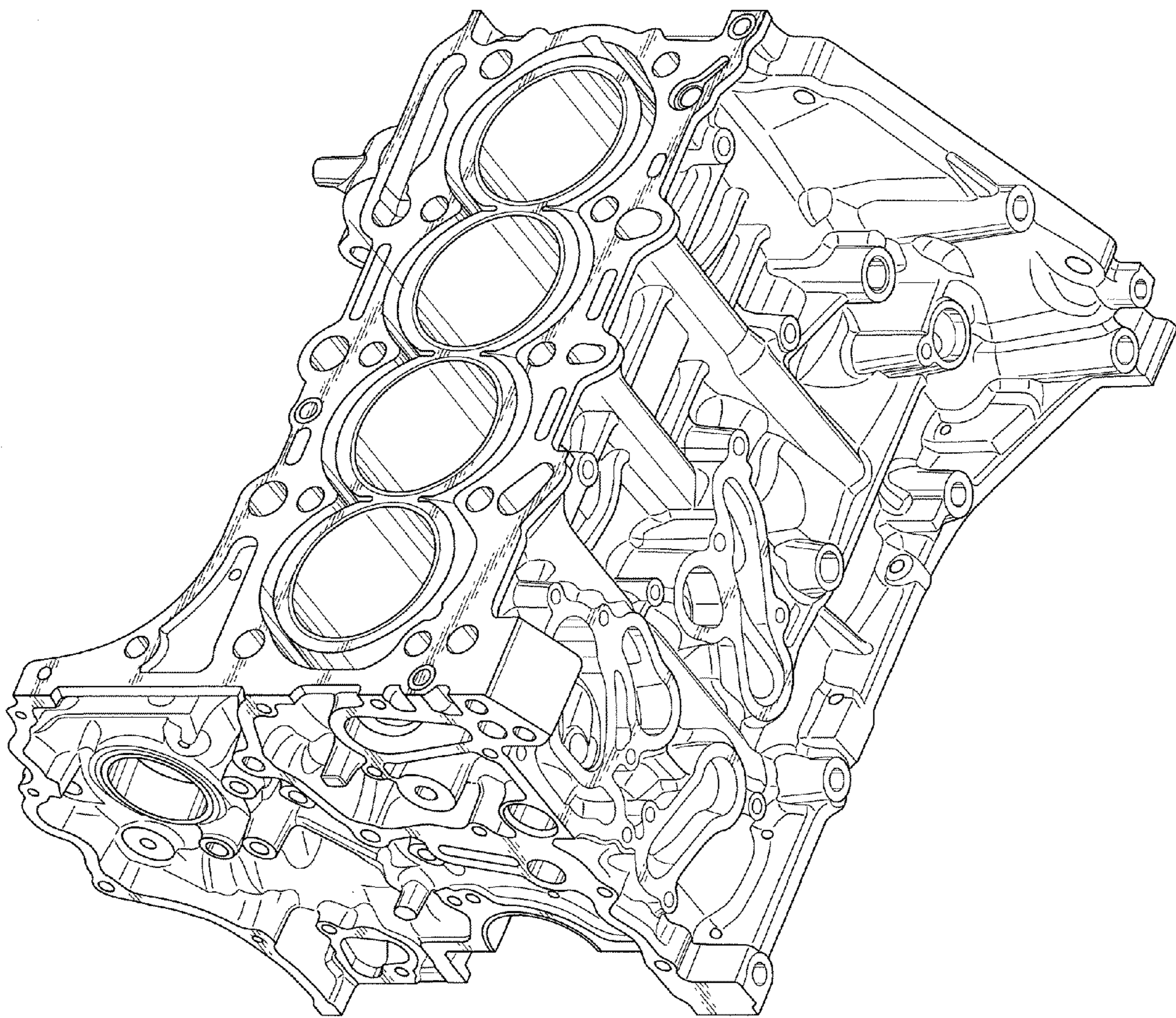


FIG.9

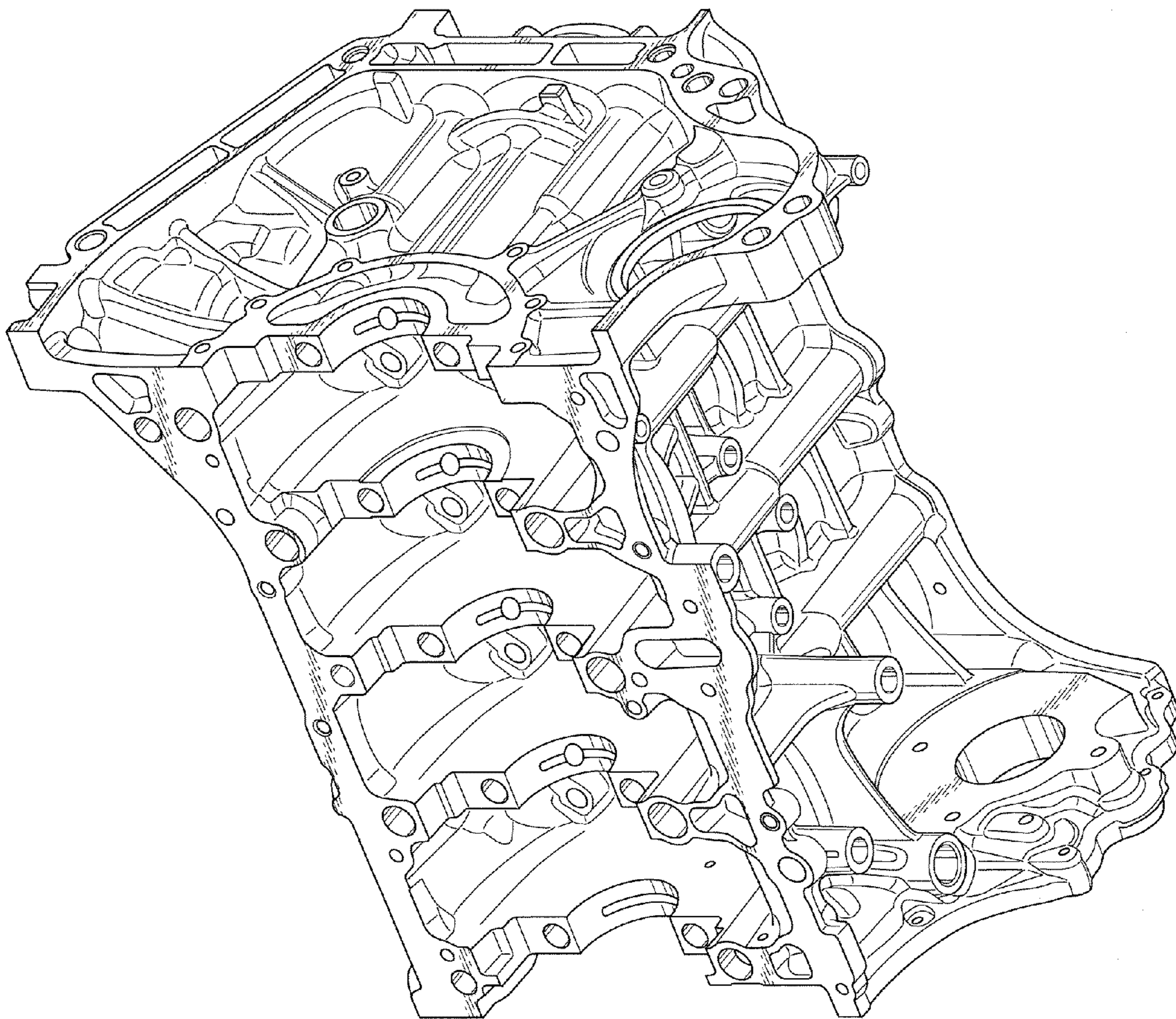
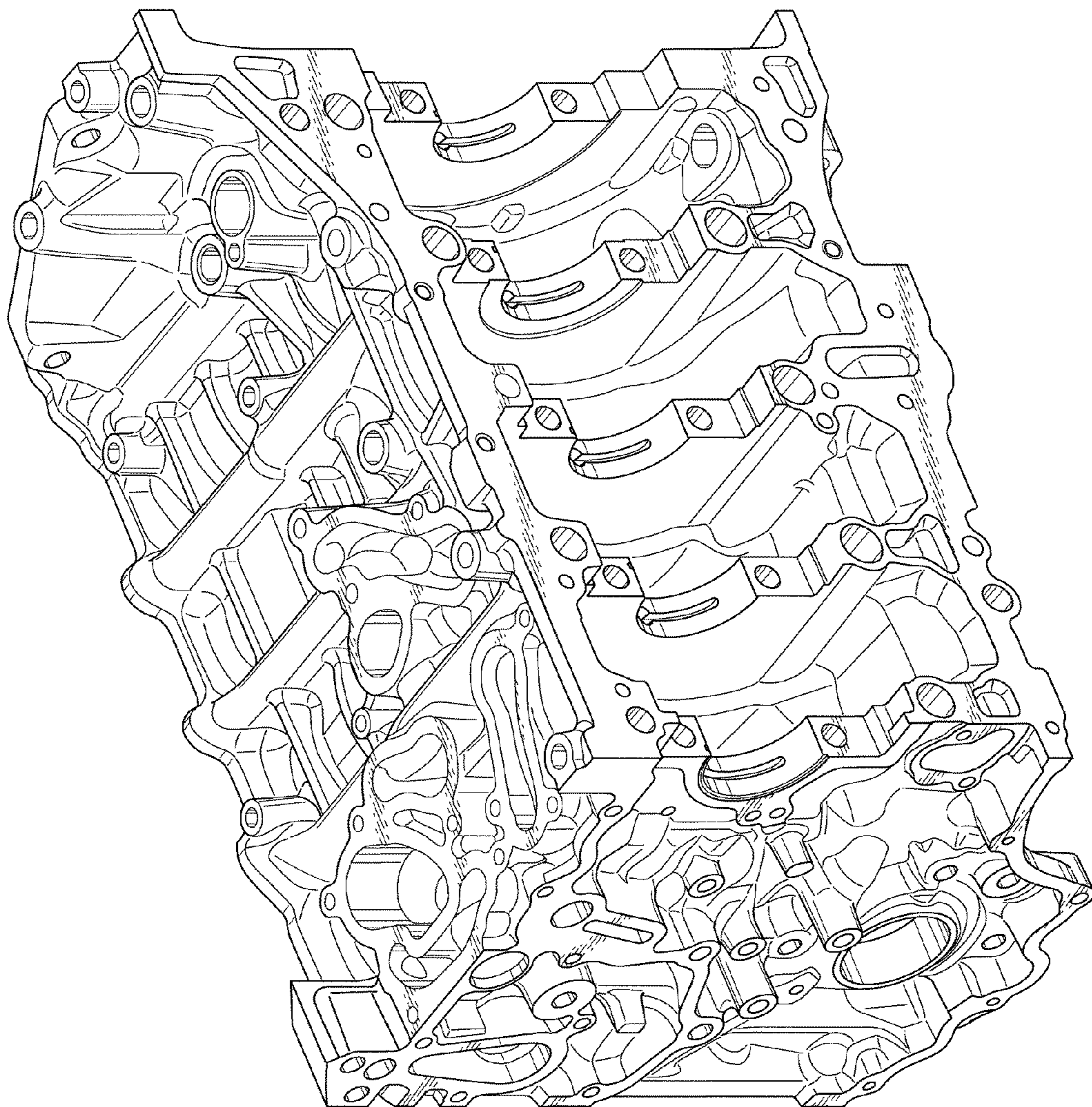


FIG.10



UNITED STATES PATENT AND TRADEMARK OFFICE
CERTIFICATE OF CORRECTION

PATENT NO. : D704,744 S
APPLICATION NO. : 29/458445
DATED : May 13, 2014
INVENTOR(S) : Yasuhiro Shuto et al.

Page 1 of 1

It is certified that error appears in the above-identified patent and that said Letters Patent is hereby corrected as shown below:

On the Title Page

Change

(72) Inventors: Yosuhiko Shuto, Wako (JP); Makoto Hamahara, Tokyo (JP)

To be

(72) Inventors: Yasuhiro Shuto, Wako (JP); Makoto Hamahara, Tokyo (JP)

Signed and Sealed this
Twenty-third Day of September, 2014



Michelle K. Lee
Deputy Director of the United States Patent and Trademark Office