

US00D704743S

(12) **United States Design Patent**  
**Ueno**

(10) **Patent No.:** **US D704,743 S**

(45) **Date of Patent:** **\*\* May 13, 2014**

(54) **INSULATOR FOR VIBRATION MOTOR**

(56) **References Cited**

(71) Applicant: **Nidec Copal Corporation**, Tokyo (JP)

U.S. PATENT DOCUMENTS

(72) Inventor: **Sayaka Ueno**, Tokyo (JP)

8,319,383 B2 \* 11/2012 Iizawa et al. .... 310/71  
2008/0150380 A1 \* 6/2008 Hsiao et al. .... 310/81  
2011/0043061 A1 \* 2/2011 Nakamura et al. .... 310/81

(73) Assignee: **Nidec Copal Corporation**, Tokyo (JP)

\* cited by examiner

(\*\*) Term: **14 Years**

*Primary Examiner* — T. Chase Nelson

*Assistant Examiner* — Ania Aman

(21) Appl. No.: **29/451,096**

(74) *Attorney, Agent, or Firm* — Beyer Law Group LLP

(22) Filed: **Mar. 27, 2013**

(57) **CLAIM**

The ornamental design for an insulator for vibration motor, as shown and described.

(30) **Foreign Application Priority Data**

**DESCRIPTION**

Sep. 27, 2012 (JP) ..... 2012-023546

FIG. 1 is a top perspective view of an insulator for a vibration motor showing my new design;

(51) **LOC (10) Cl.** ..... **15-01**

FIG. 2 is a bottom perspective view thereof;

(52) **U.S. Cl.**

FIG. 3 is a front view thereof;

USPC ..... **D15/5**

FIG. 4 is a rear view thereof;

(58) **Field of Classification Search**

USPC ..... D15/1-5, 147; D13/112, 118, 184, 199;  
310/81, 89, 15, 67 R, 91, 179

FIG. 5 is a right side view thereof, a left side view being a mirror image of the right side view;

FIG. 6 is a top plan view thereof; and,

FIG. 7 is a bottom plan view thereof.

See application file for complete search history.

**1 Claim, 4 Drawing Sheets**

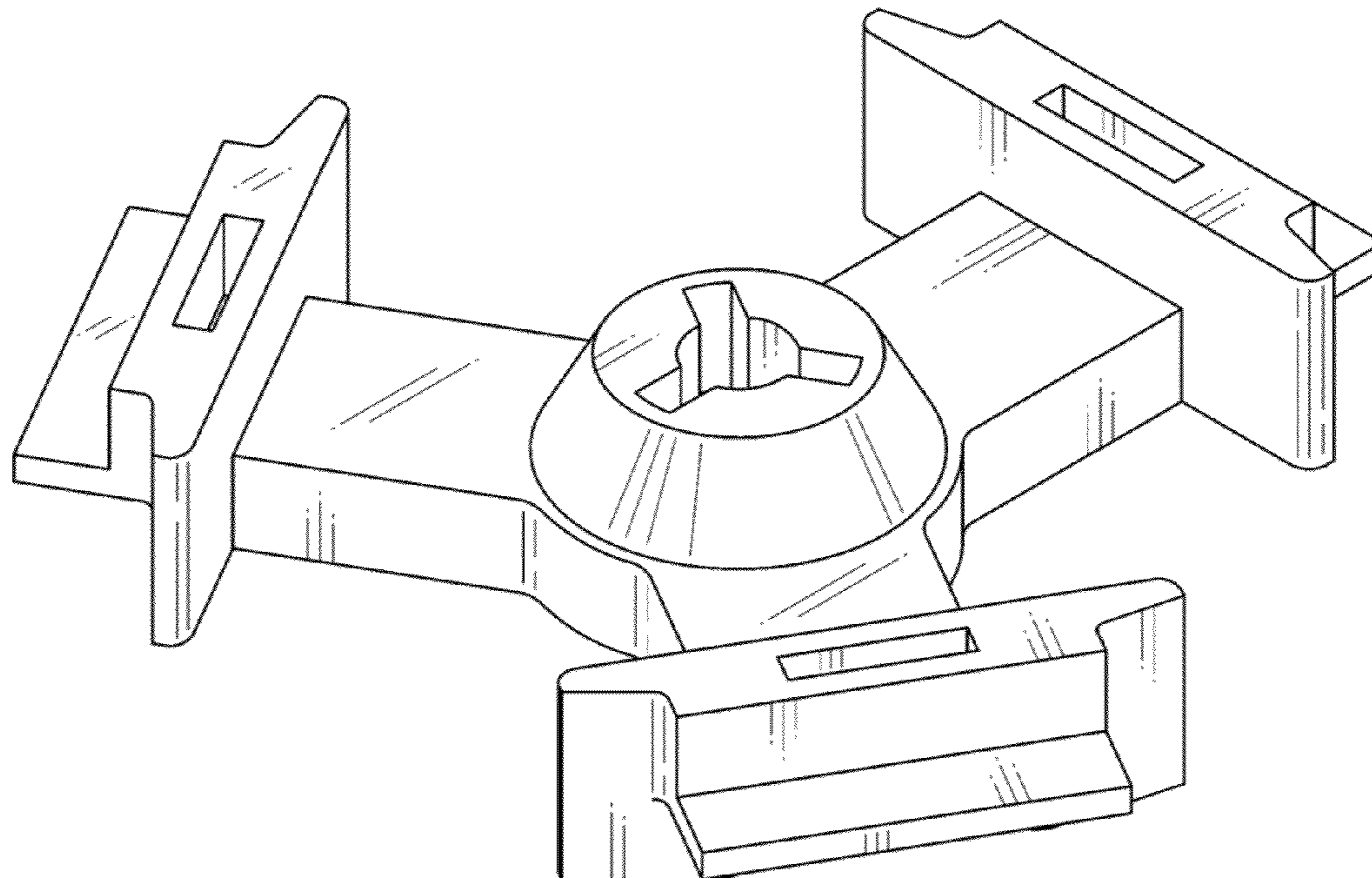


Fig. 1

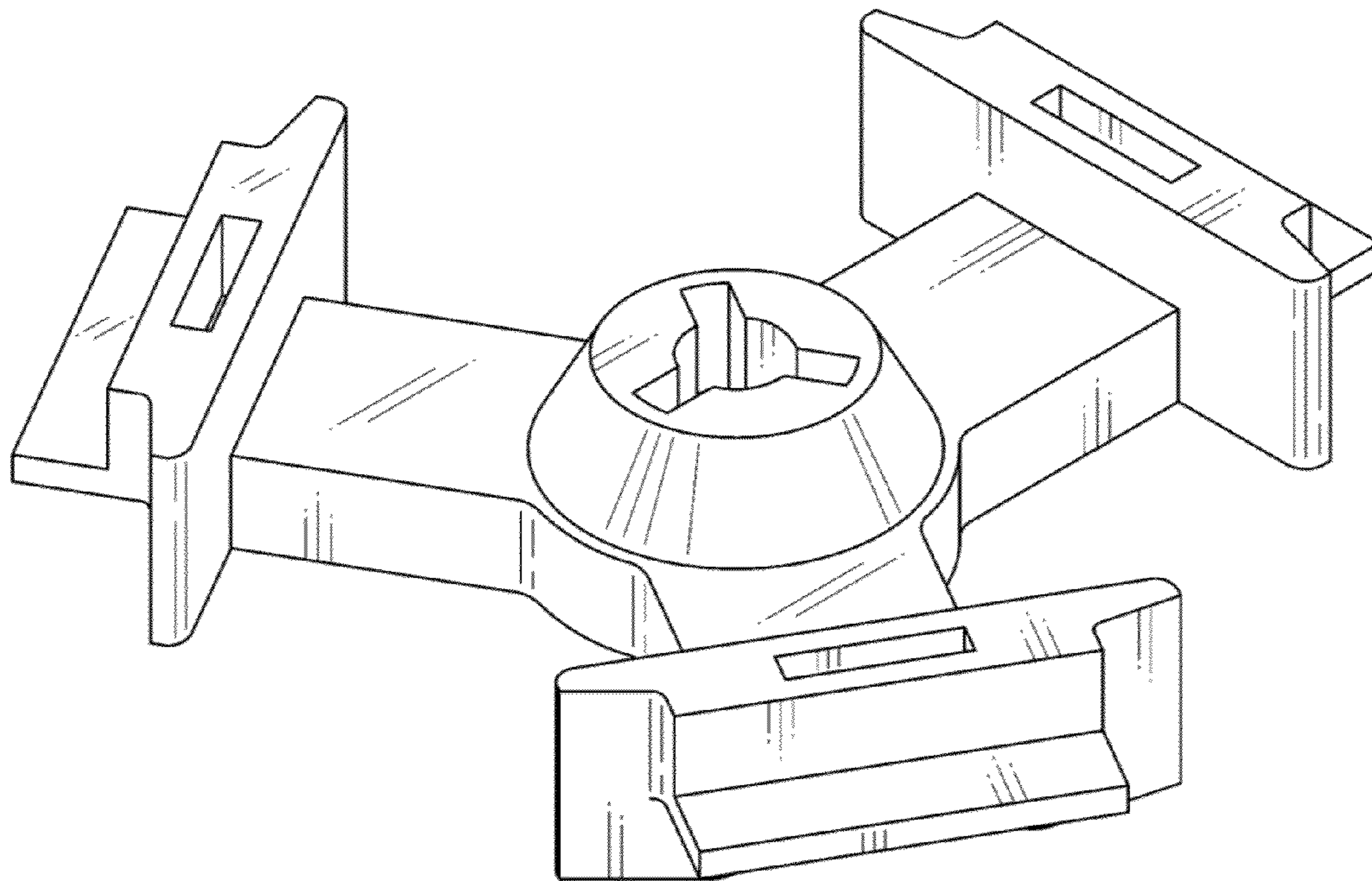


Fig. 2

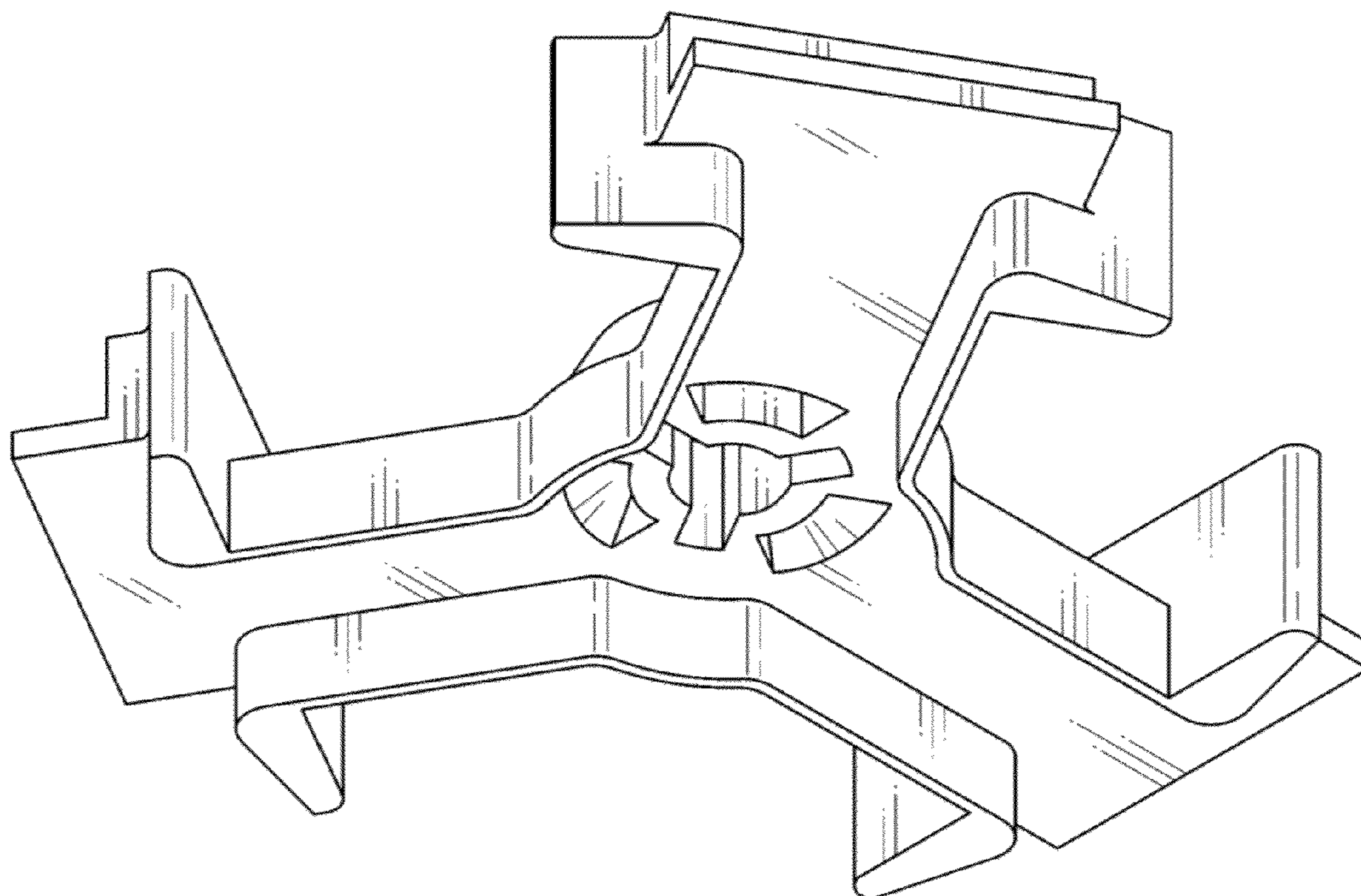


Fig. 3

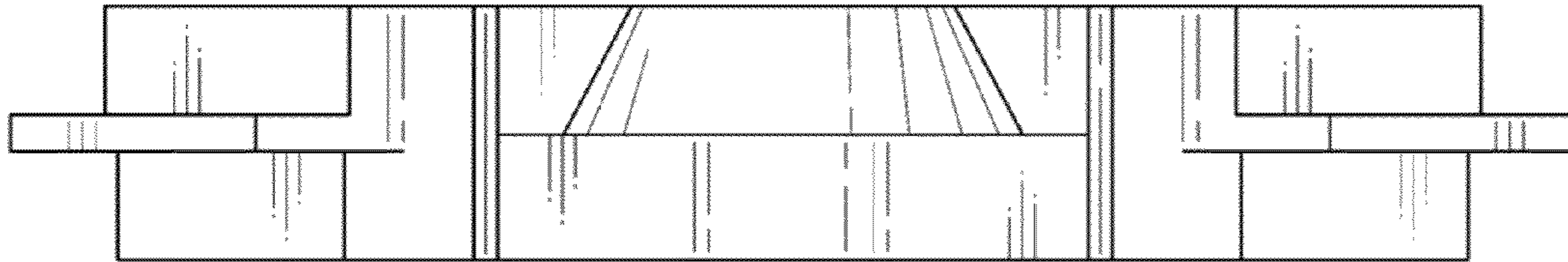


Fig. 4

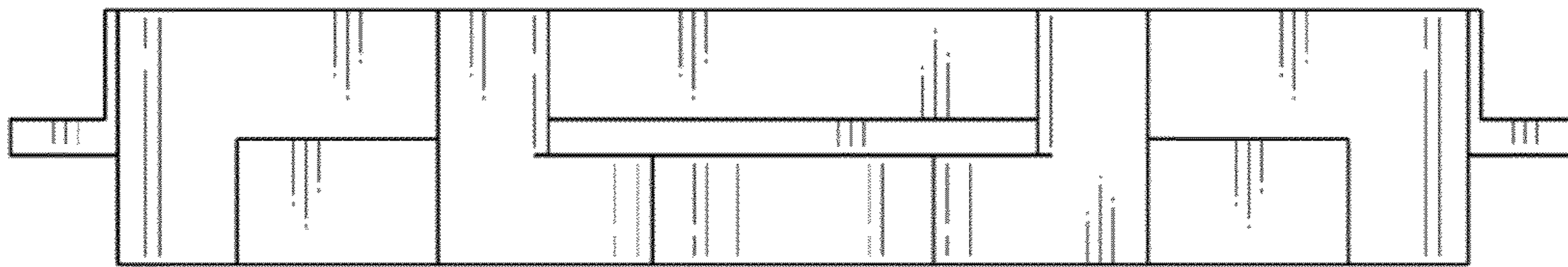


Fig. 5

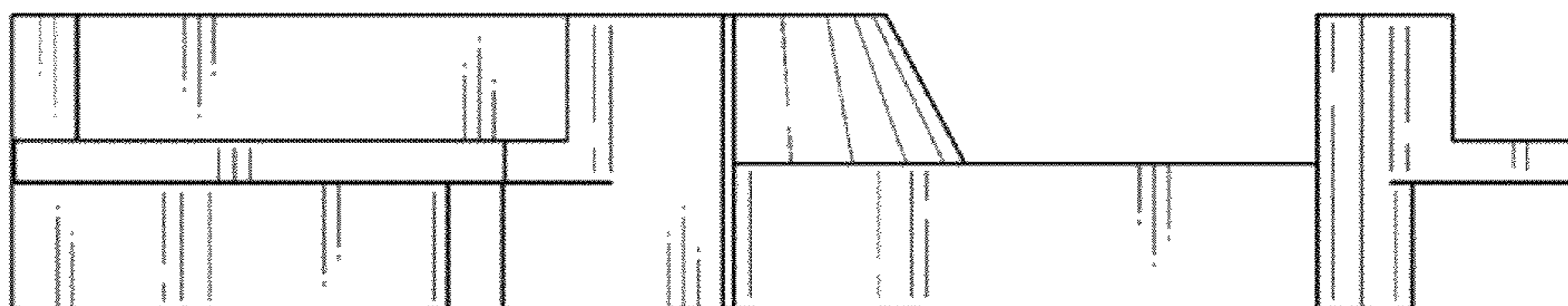


Fig. 6

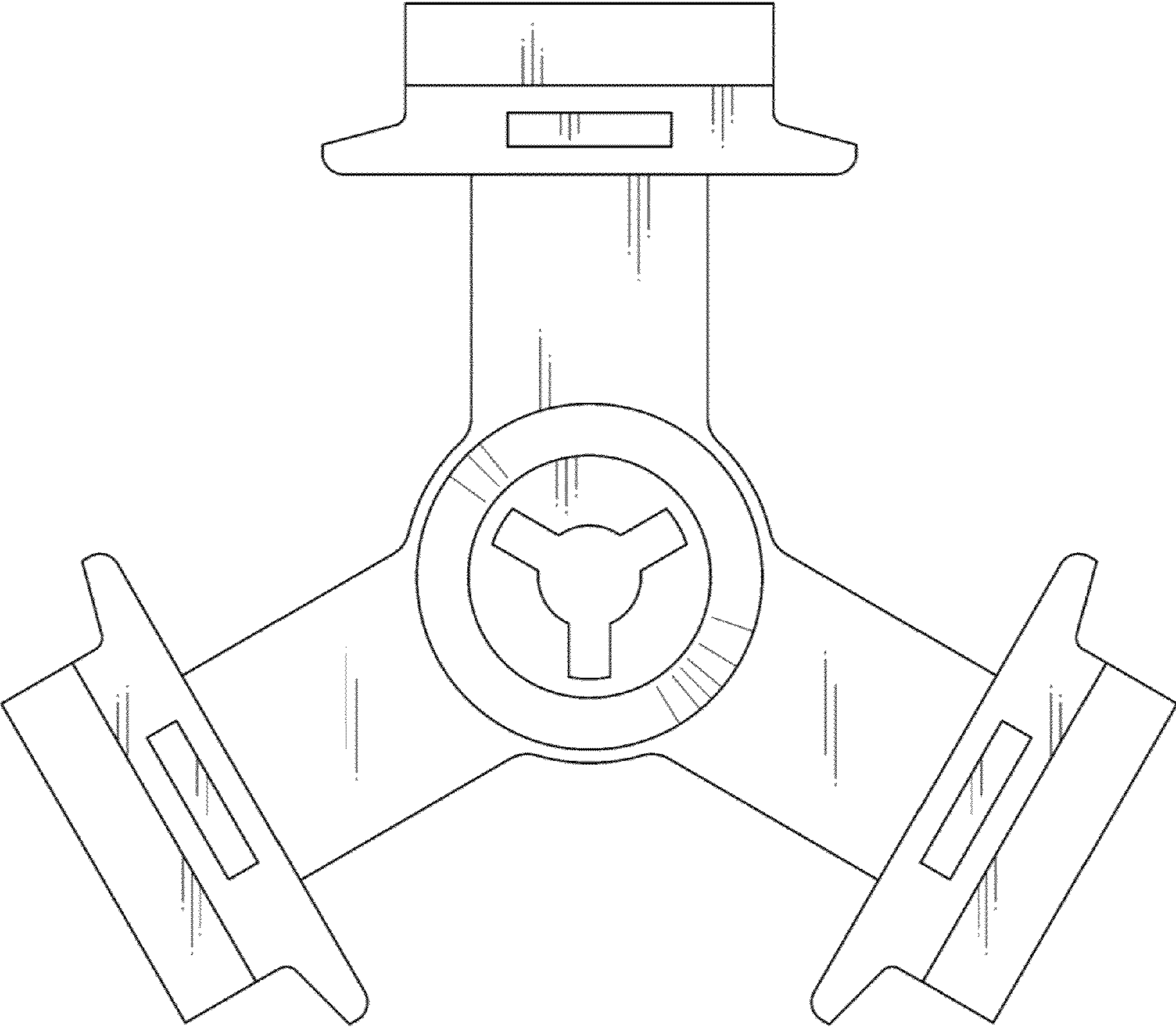


Fig. 7

