



US00D704741S

(12) **United States Design Patent**  
**Tinius**

(10) **Patent No.:** **US D704,741 S**

(45) **Date of Patent:** **\*\* May 13, 2014**

(54) **DRIVE UNIT**

(71) Applicant: **Andreas Stihl AG & Co. KG**,  
Waiblingen (DE)

(72) Inventor: **Michael Tinius**, Ulm (DE)

(73) Assignee: **Andreas Stihl AG & Co. KG**,  
Waiblingen (DE)

(\*\*) Term: **14 Years**

(21) Appl. No.: **29/452,478**

(22) Filed: **Apr. 17, 2013**

(30) **Foreign Application Priority Data**

Dec. 21, 2012 (EM) ..... 002158501-0002

(51) **LOC (10) Cl.** ..... **15-01**

(52) **U.S. Cl.**  
USPC ..... **D15/1**

(58) **Field of Classification Search**  
USPC ..... D15/1, 2, 3, 5, 6, 14, 17, 149; 123/22,  
123/41.34, 51 A, 606 R, 52.1, 50 A, 50 B,  
123/54.1, 54.2, 54.4, 54.5, 65 R, 195 R,  
123/195 HC, 657, 311; D8/8  
See application file for complete search history.

(56) **References Cited**

**U.S. PATENT DOCUMENTS**

D416,265 S \* 11/1999 Kato et al. .... D15/1  
D598,935 S \* 8/2009 Kobayashi et al. .... D15/1

D599,822 S \* 9/2009 Okuda ..... D15/1  
D623,197 S \* 9/2010 Hotta et al. .... D15/1  
D638,856 S \* 5/2011 Koizumi et al. .... D15/5  
D644,664 S \* 9/2011 Sugiyama et al. .... D15/1  
D646,299 S \* 10/2011 Aruga et al. .... D15/1  
D653,509 S 2/2012 Tinius  
D667,024 S \* 9/2012 Taniguchi et al. .... D15/1  
D673,976 S \* 1/2013 Yuasa et al. .... D15/1

\* cited by examiner

*Primary Examiner* — T. Chase Nelson

*Assistant Examiner* — Ania Aman

(74) *Attorney, Agent, or Firm* — McGuireWoods LLP

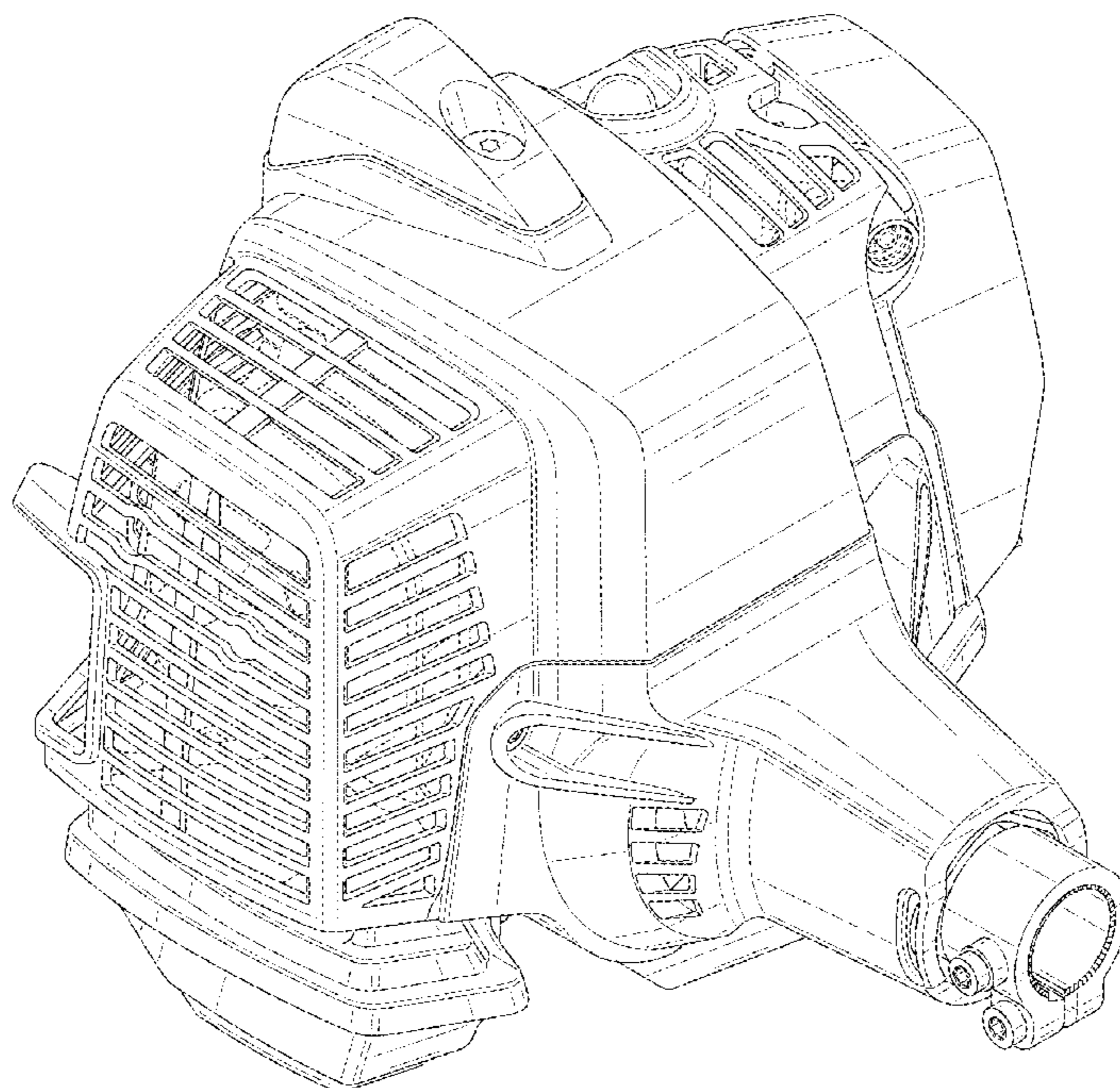
(57) **CLAIM**

I claim the ornamental design for a drive unit, as shown and described.

**DESCRIPTION**

FIG. 1 is a left-front perspective view of the drive unit; FIG. 2 is a front view of the drive unit shown in FIG. 1; FIG. 3 is a rear view of the drive unit shown in FIG. 1; FIG. 4 is a left side view of the drive unit shown in FIG. 1; FIG. 5 is a right side of the drive unit shown in FIG. 1; FIG. 6 is a top view of the drive unit shown in FIG. 1; and, FIG. 7 is a bottom view of the drive unit shown in FIG. 1. In the drawings, the broken lines depict unclaimed subject matter only and form no part of the claimed design. Any surfaces of the design not shown, including interior surfaces, also form no part of the claimed design.

**1 Claim, 7 Drawing Sheets**



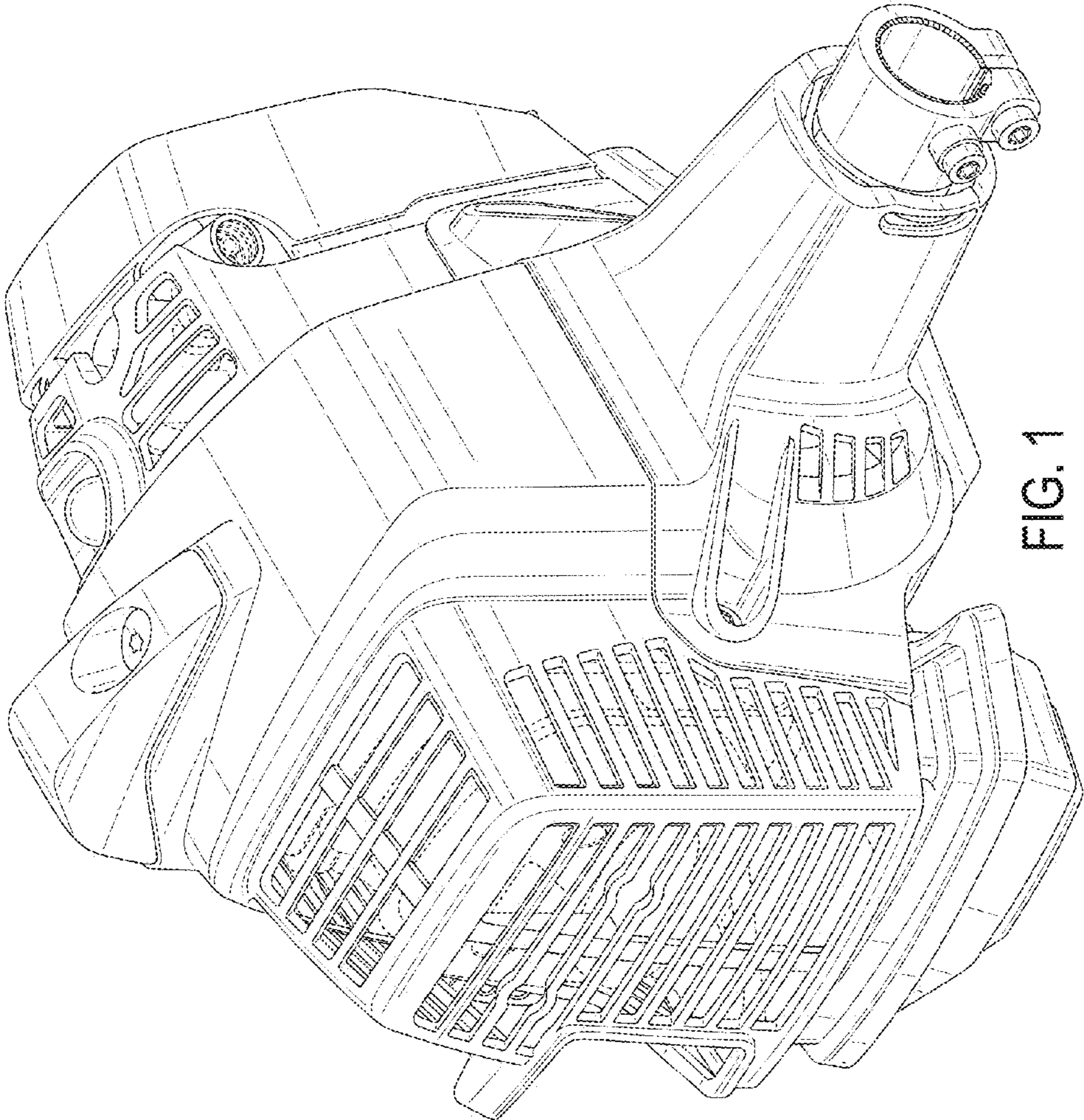


FIG. 1

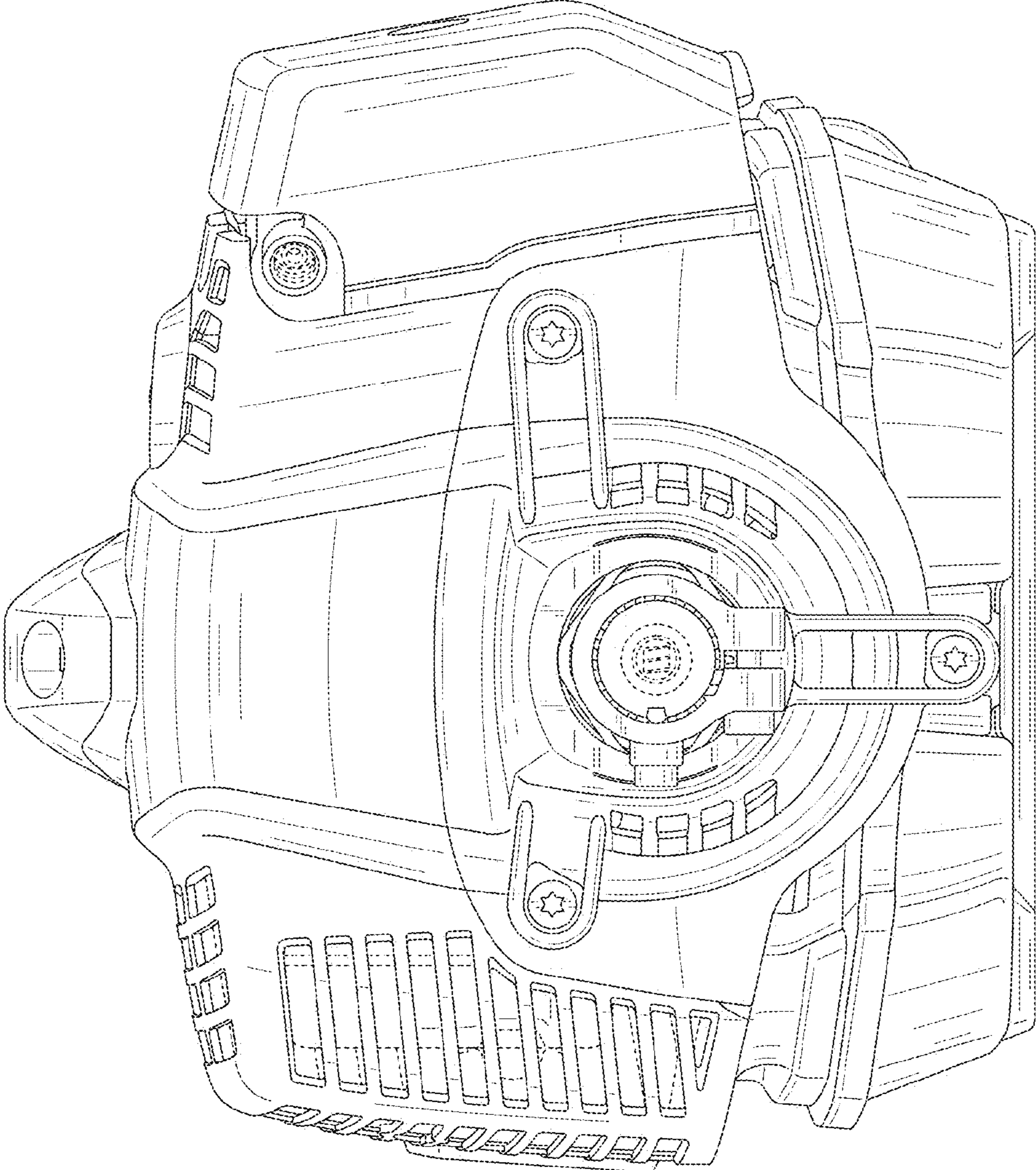


FIG. 2

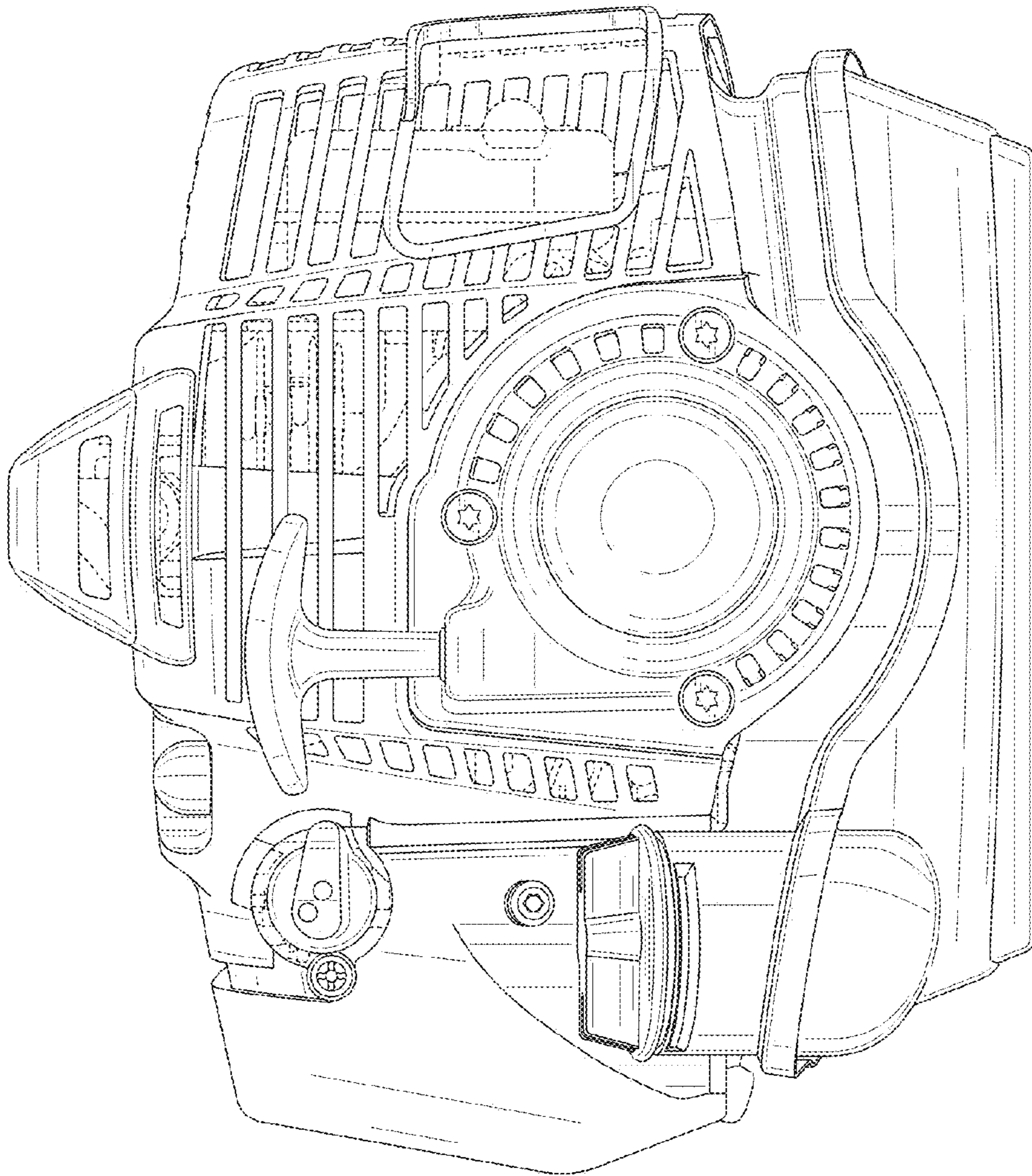


FIG. 3

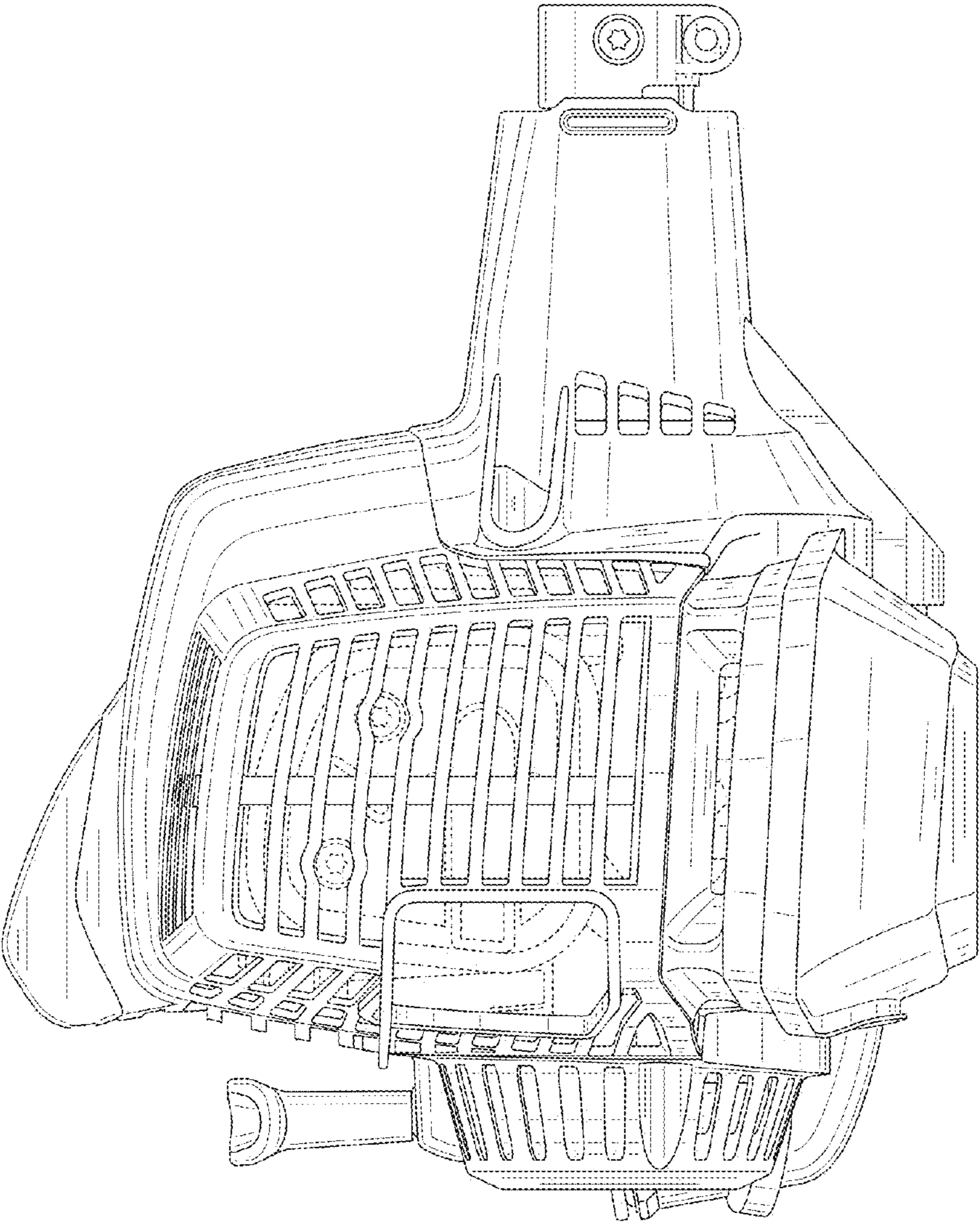


FIG. 4

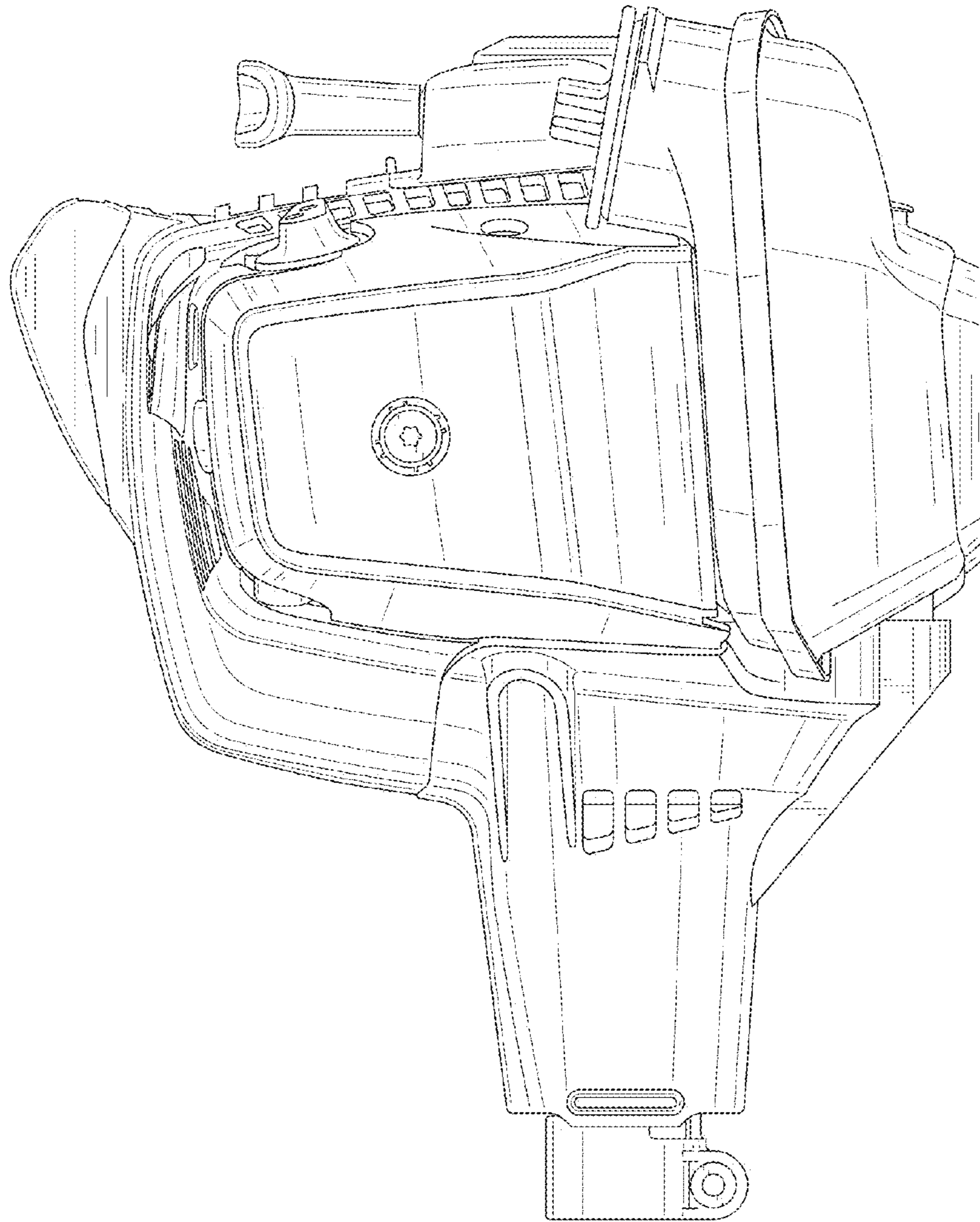


FIG. 5

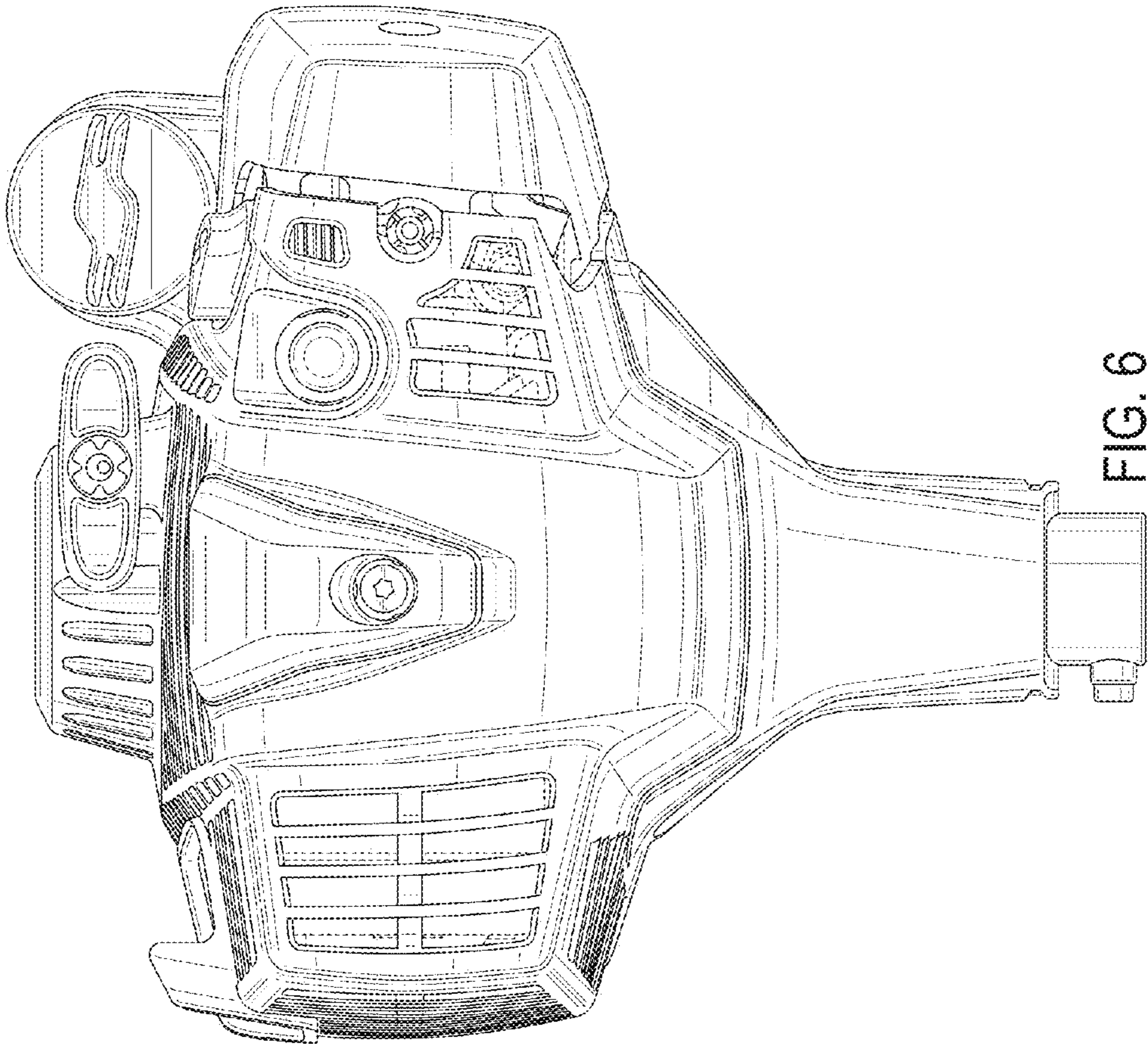


FIG. 6

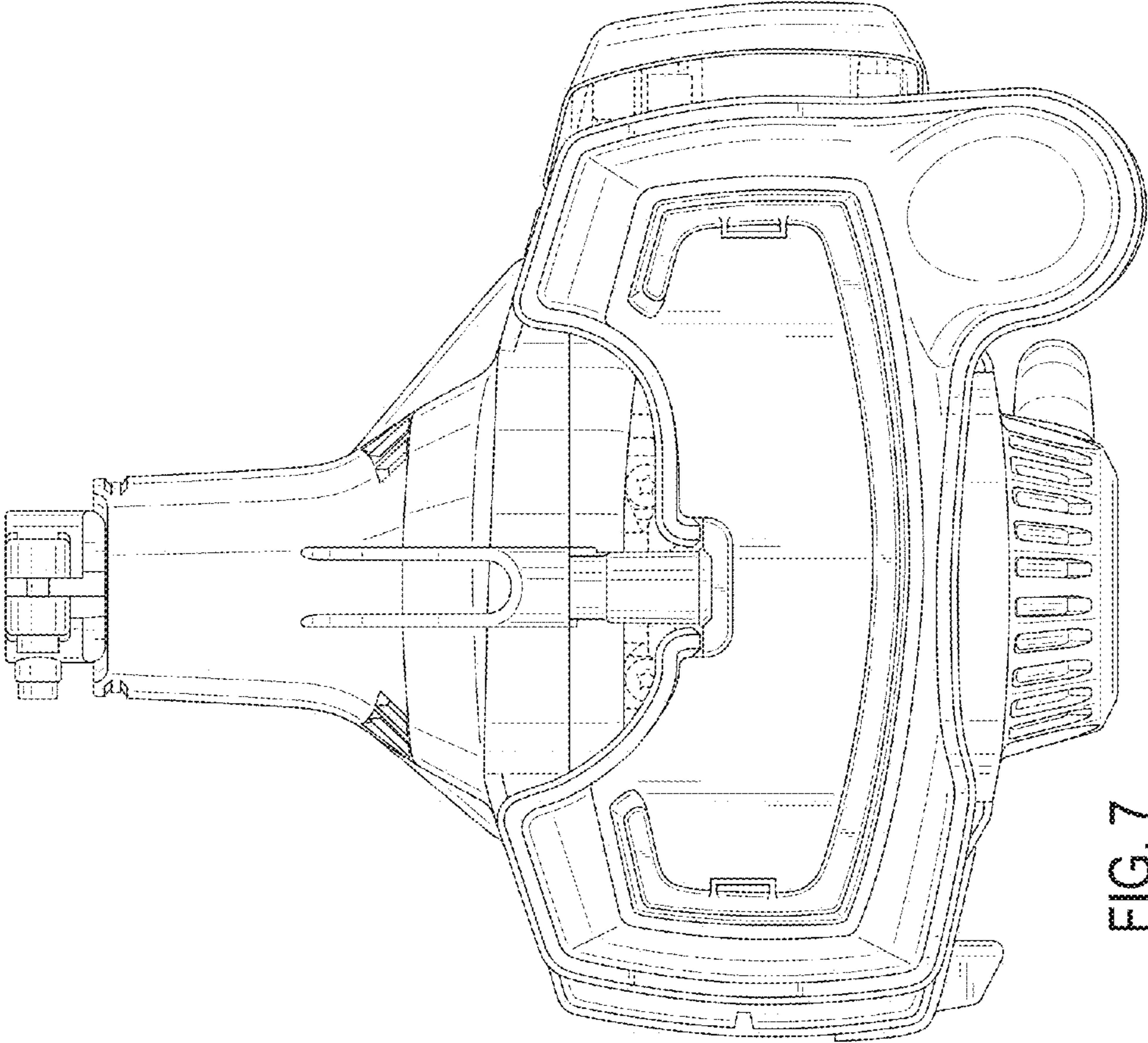


FIG. 7