



US00D704740S

(12) **United States Design Patent**  
**Bellinger et al.**

(10) **Patent No.:** **US D704,740 S**

(45) **Date of Patent:** **\*\* May 13, 2014**

(54) **ENGINE**

(71) Applicant: **Cummins Inc.**, Columbus, IN (US)

(72) Inventors: **Steven M. Bellinger**, Columbus, IN (US); **Jae Hee Lee**, Columbus, IN (US); **Richard D. Mason**, Hope, IN (US); **Mathew A. Clark**, Darlington (GB); **Nathaniel P. Hassall**, Thirsk (GB)

(73) Assignee: **Cummins Inc.**, Columbus, IN (US)

(\*\*) Term: **14 Years**

(21) Appl. No.: **29/438,426**

(22) Filed: **Nov. 29, 2012**

(51) **LOC (10) Cl.** ..... **15-01**

(52) **U.S. Cl.**  
USPC ..... **D15/1**

(58) **Field of Classification Search**  
USPC ..... D15/1, 2, 3, 4, 5, 6, 14, 17, 149;  
123/22, 41, 34, 51 A, 606 R, 52.1, 50 A,  
123/50 B, 54.1, 54.2, 54.4, 54.5, 65 R,  
123/195 R, 657, 311

See application file for complete search history.

(56) **References Cited**

U.S. PATENT DOCUMENTS

D494,191 S \* 8/2004 Aketa et al. .... D15/1  
D610,164 S \* 2/2010 Takahata et al. .... D15/1  
D665,425 S \* 8/2012 Genter et al. .... D15/3  
2001/0039908 A1 \* 11/2001 Bilek et al. .... 114/55.5  
2001/0039934 A1 \* 11/2001 Ohrnberger et al. .... 123/195 A

\* cited by examiner

*Primary Examiner* — T. Chase Nelson

*Assistant Examiner* — Ania Aman

(74) *Attorney, Agent, or Firm* — Faegre Baker Daniels LLP

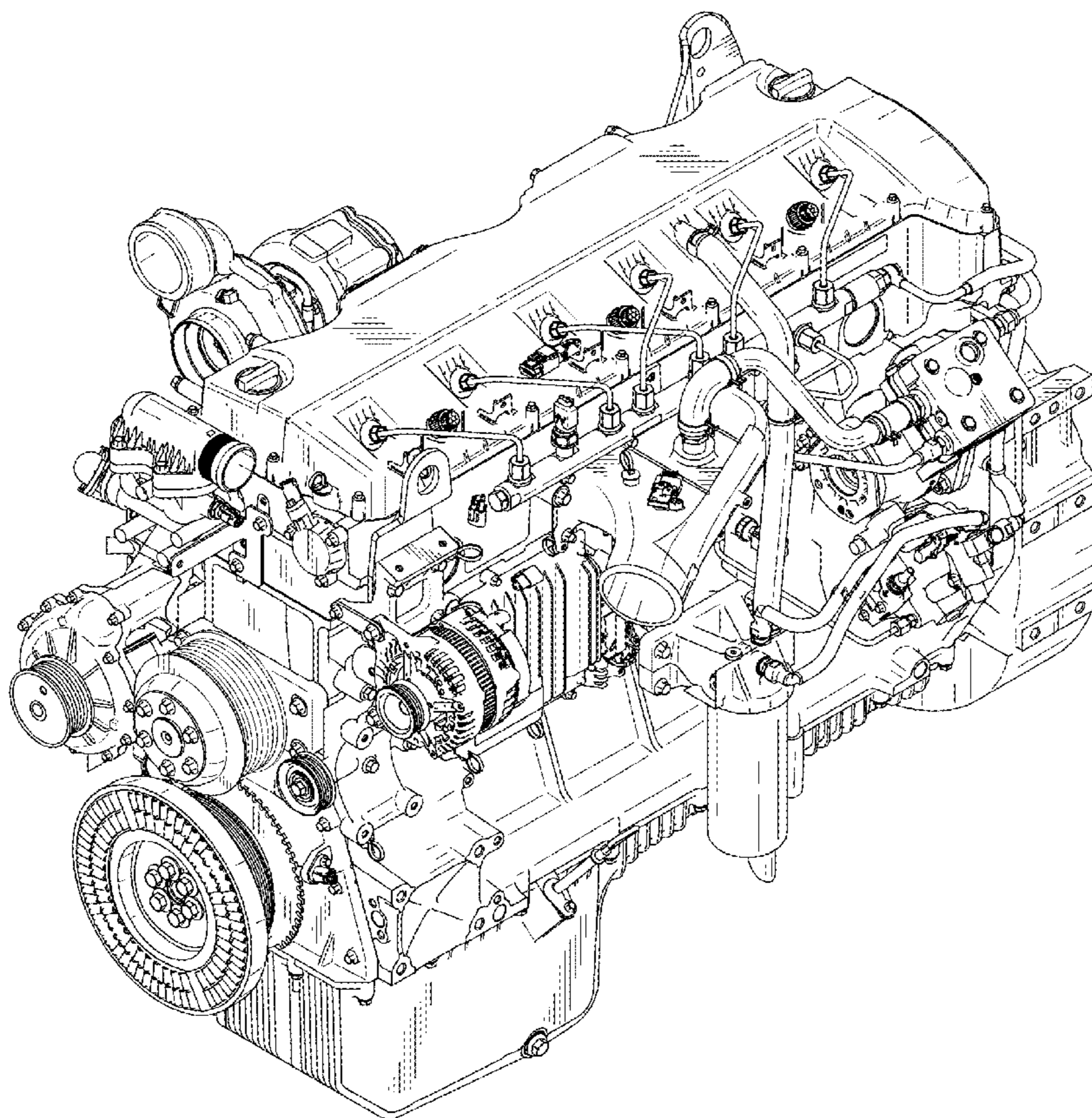
(57) **CLAIM**

The ornamental design for an engine, as shown and described.

**DESCRIPTION**

FIG. 1 is a right side frontal perspective view of the engine;  
FIG. 2 is a left side rear perspective view of the engine;  
FIG. 3 is a top view of the engine;  
FIG. 4 is a bottom view of the engine;  
FIG. 5 is a right side view of the engine;  
FIG. 6 is a left side view of the engine;  
FIG. 7 is a front view of the engine; and,  
FIG. 8 is a rear view of the engine.

**1 Claim, 8 Drawing Sheets**



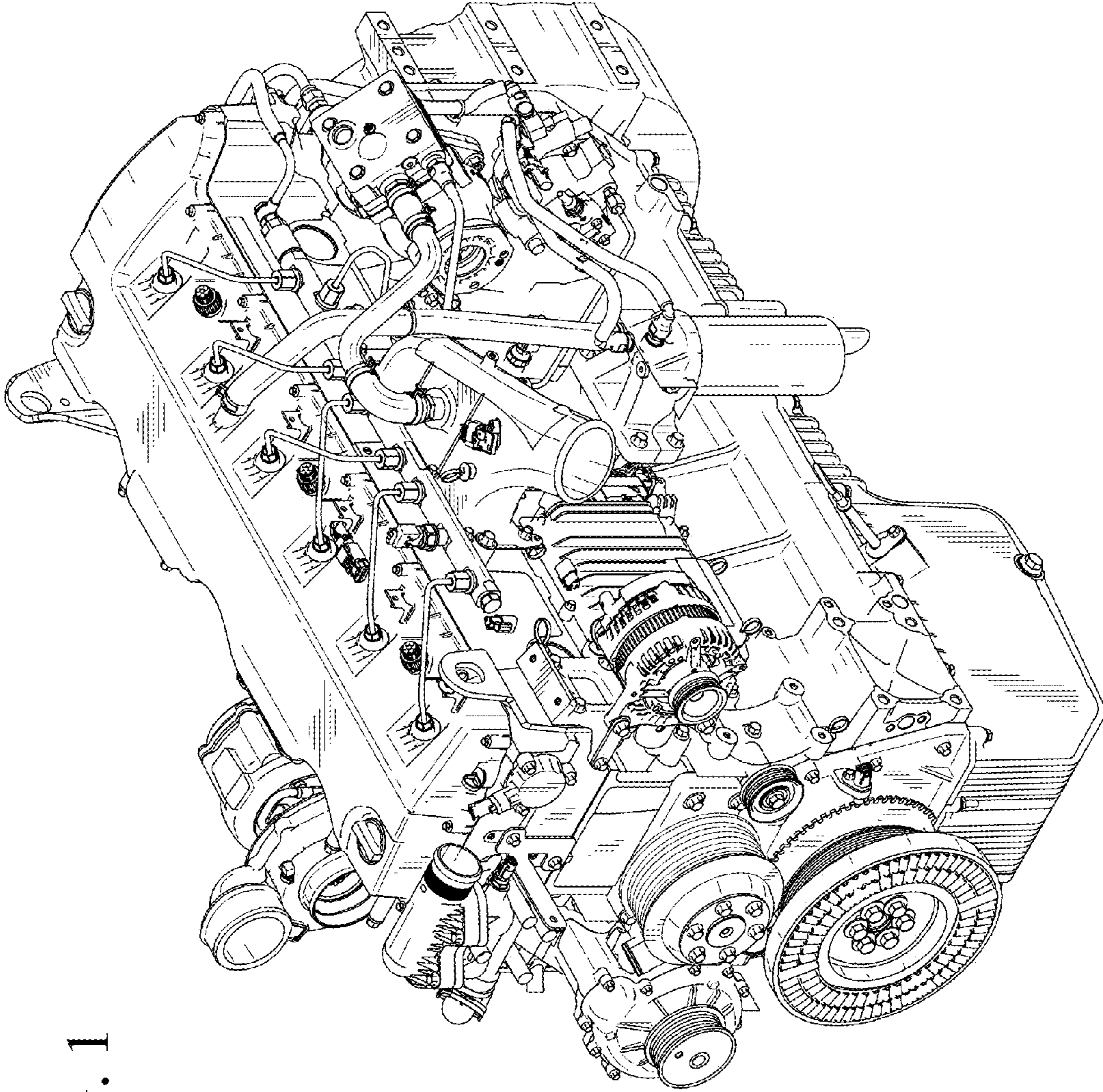


FIG. 1

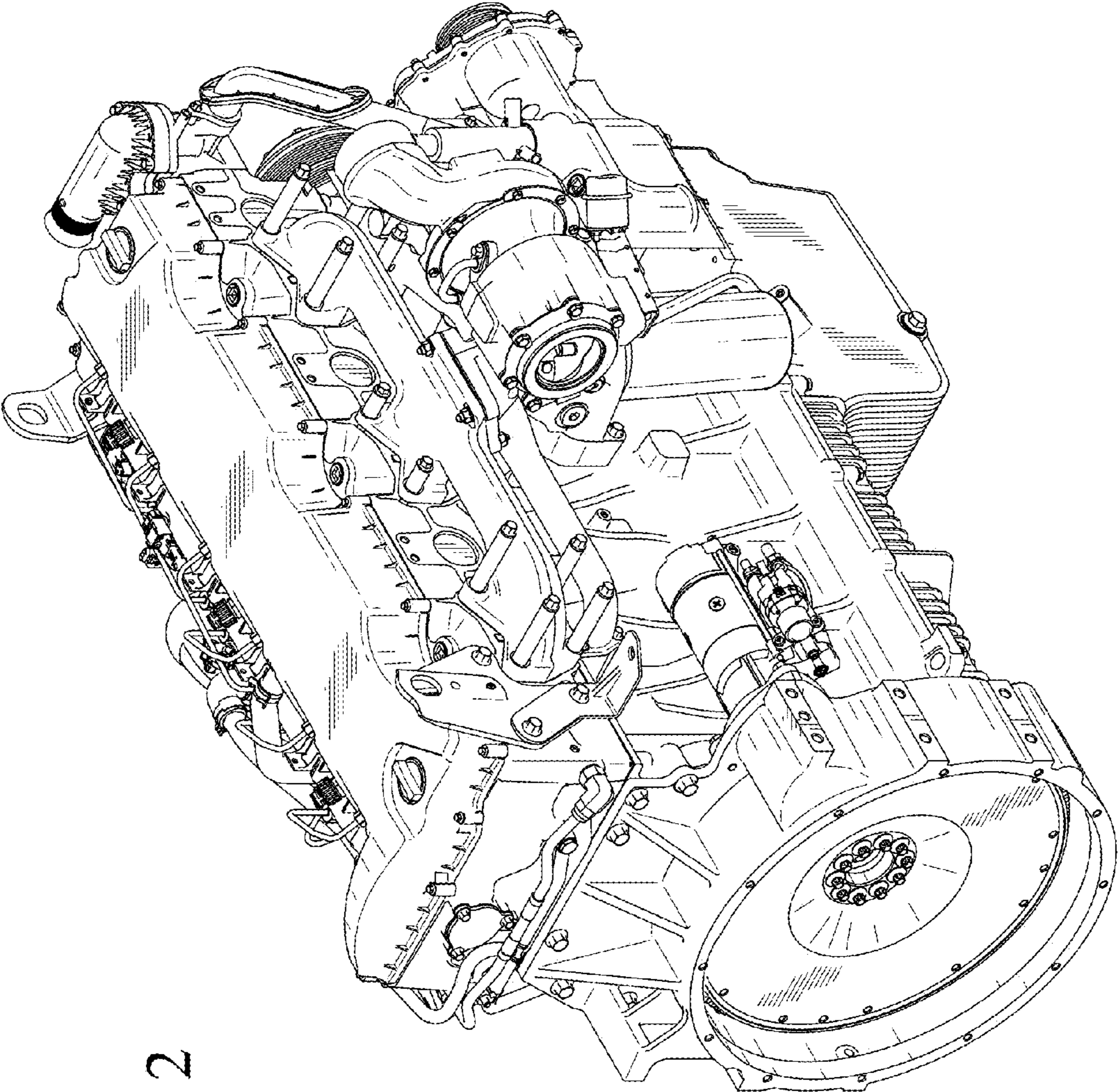


FIG. 2

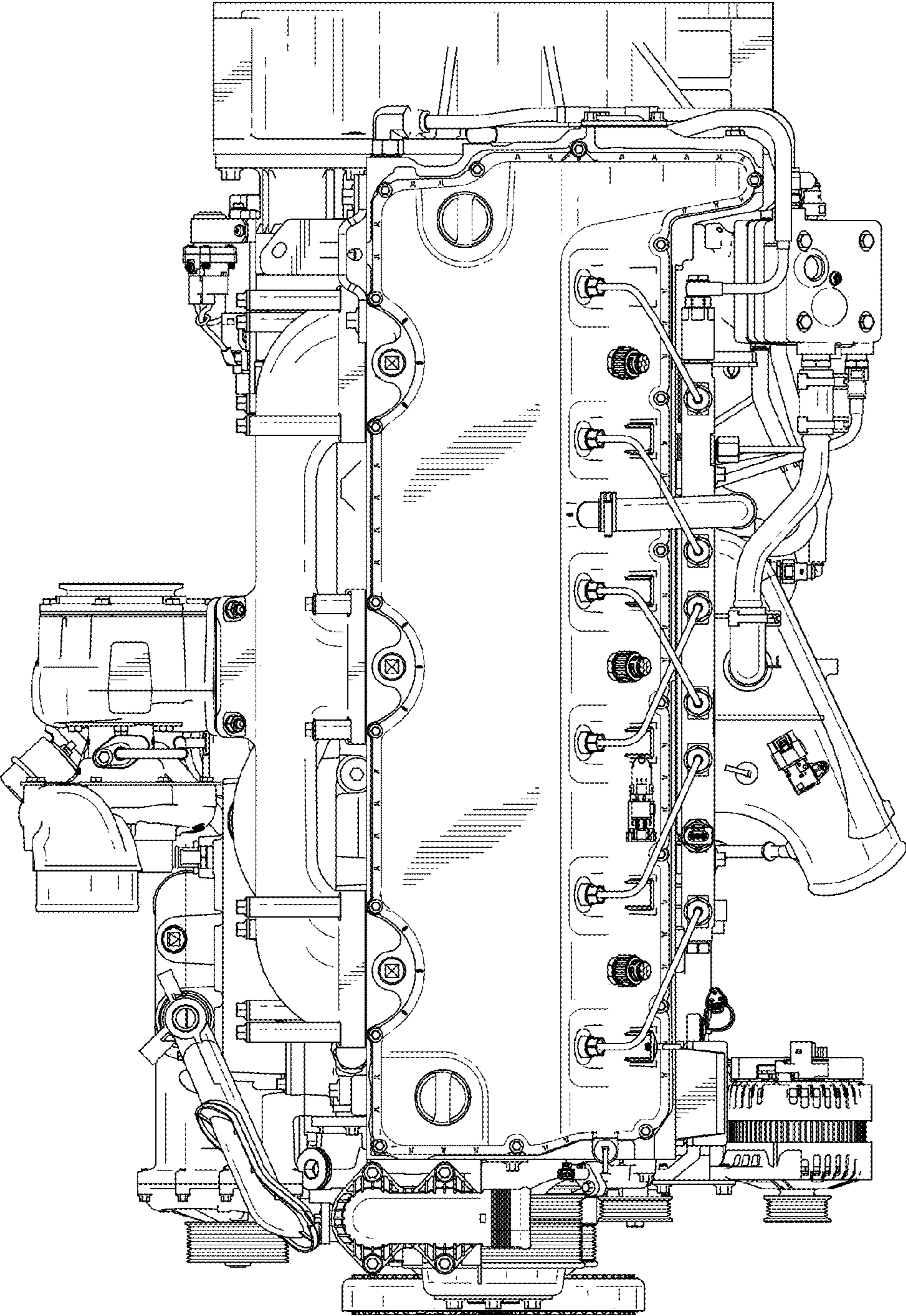


FIG. 3

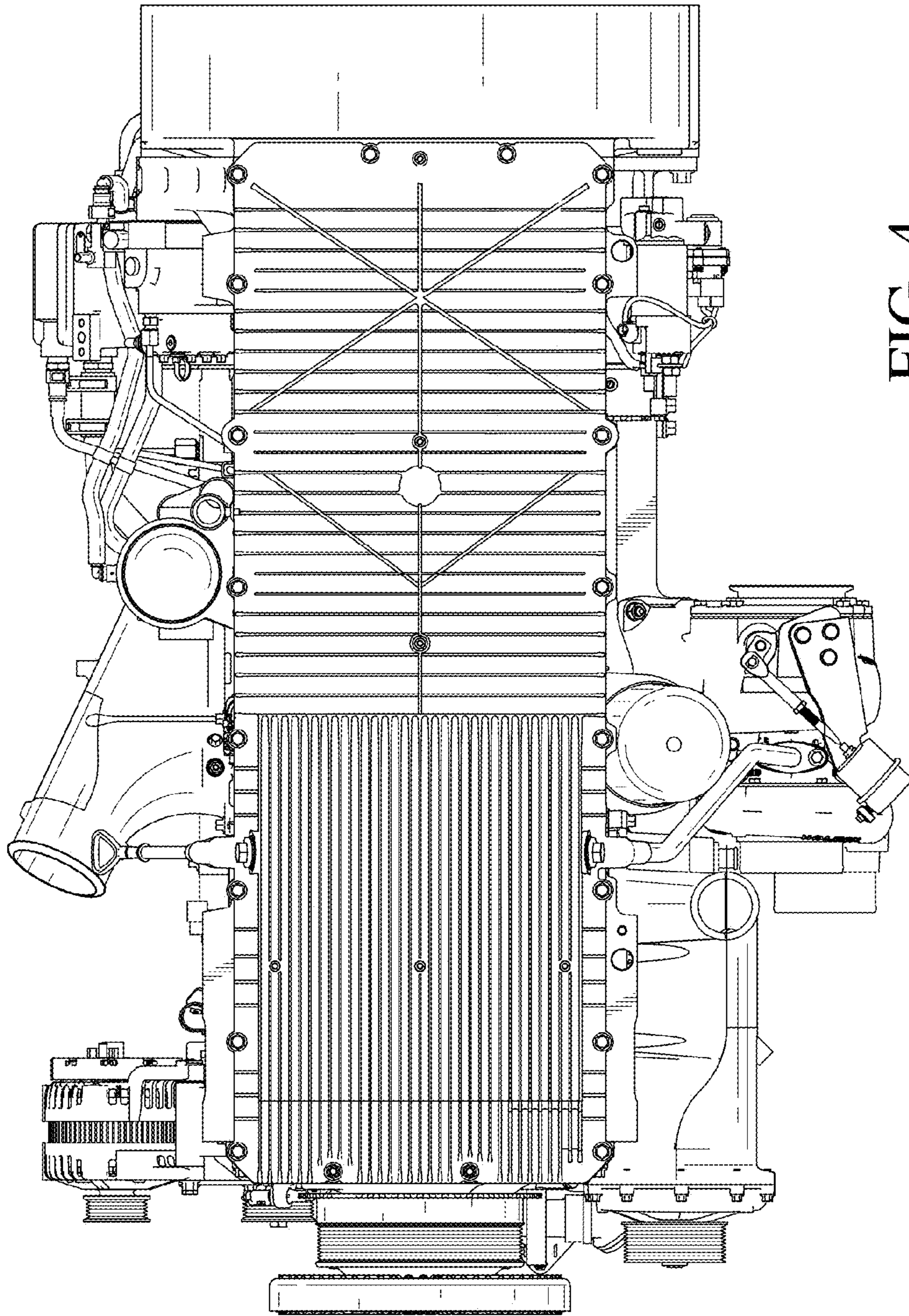


FIG. 4

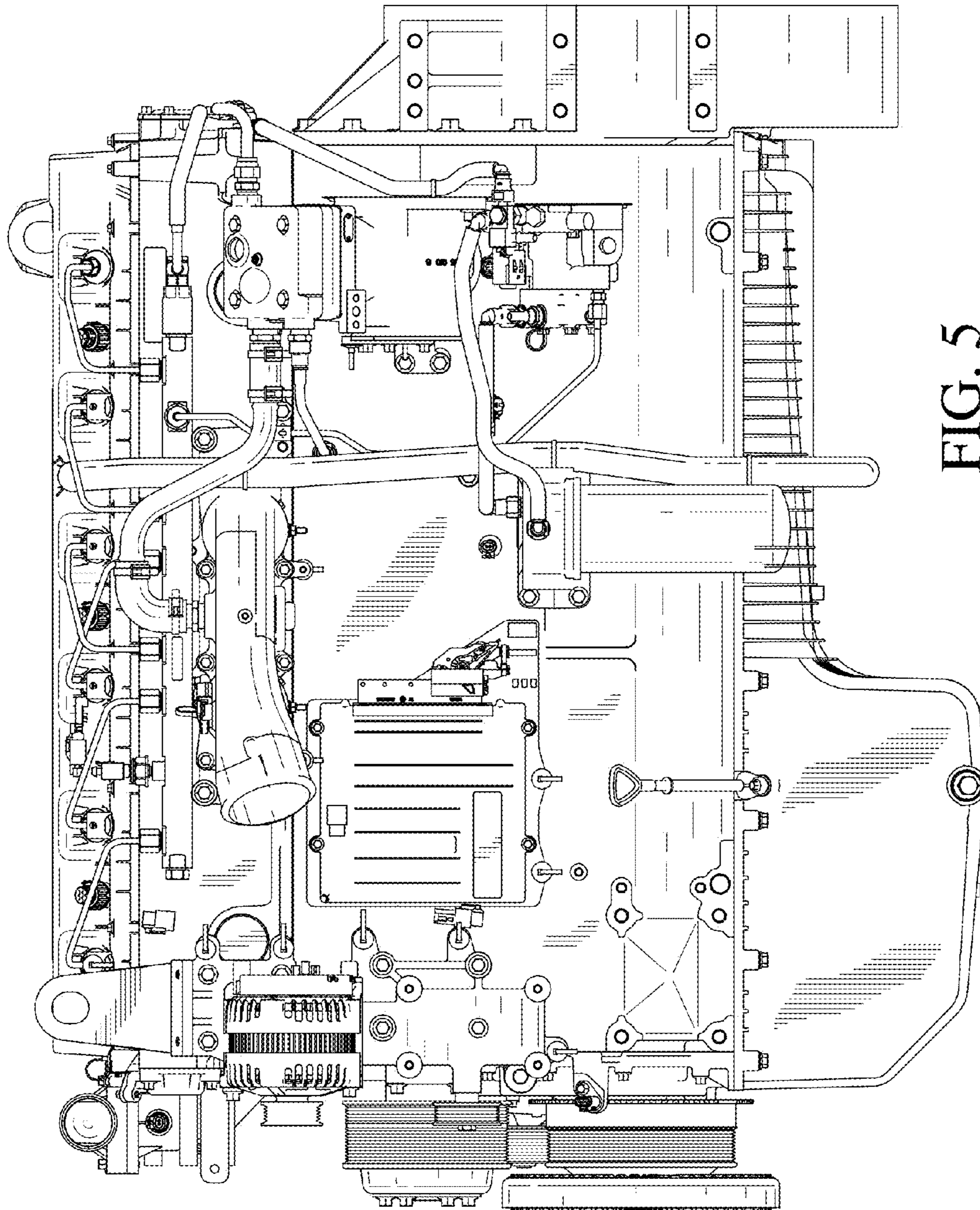


FIG. 5

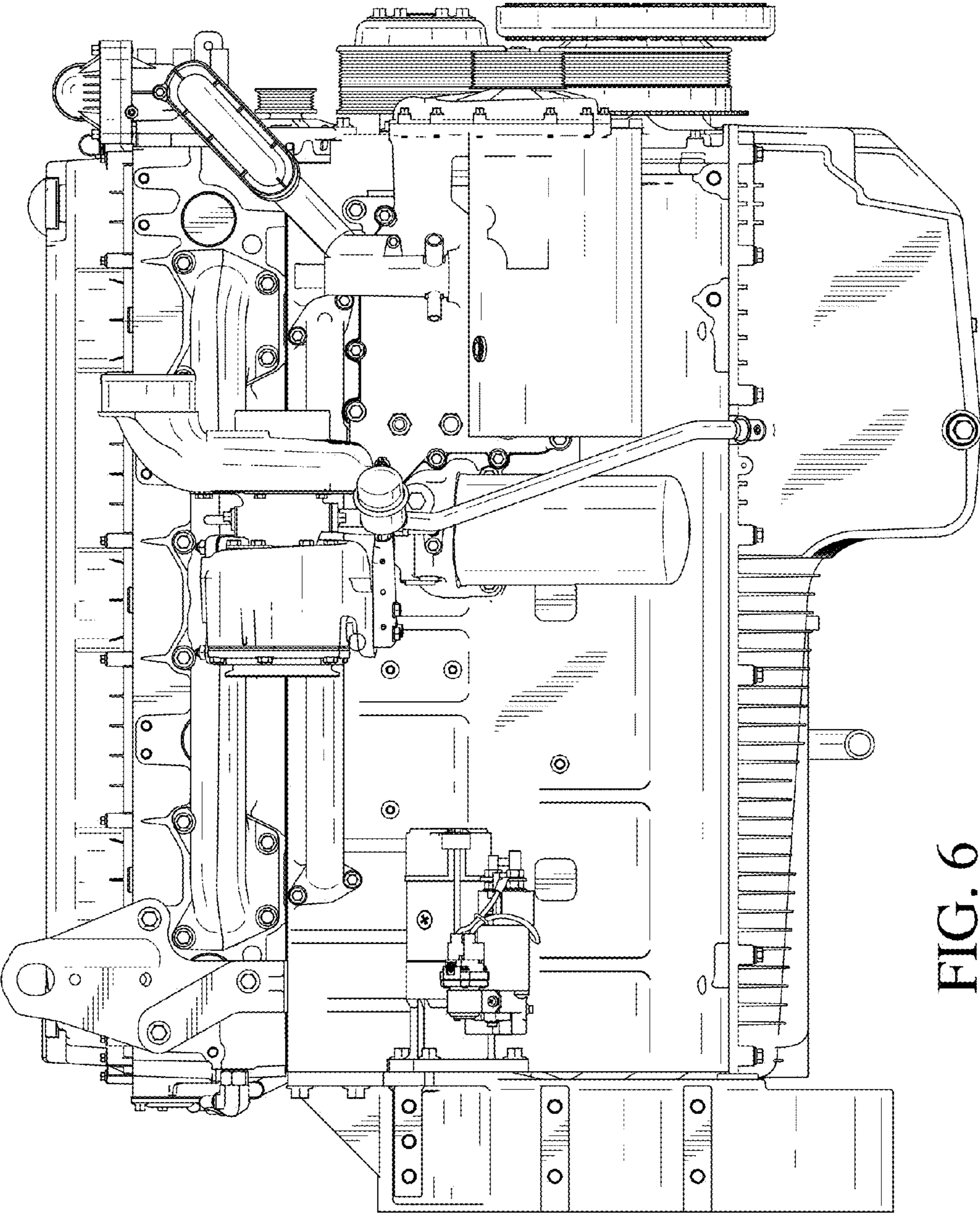


FIG. 6

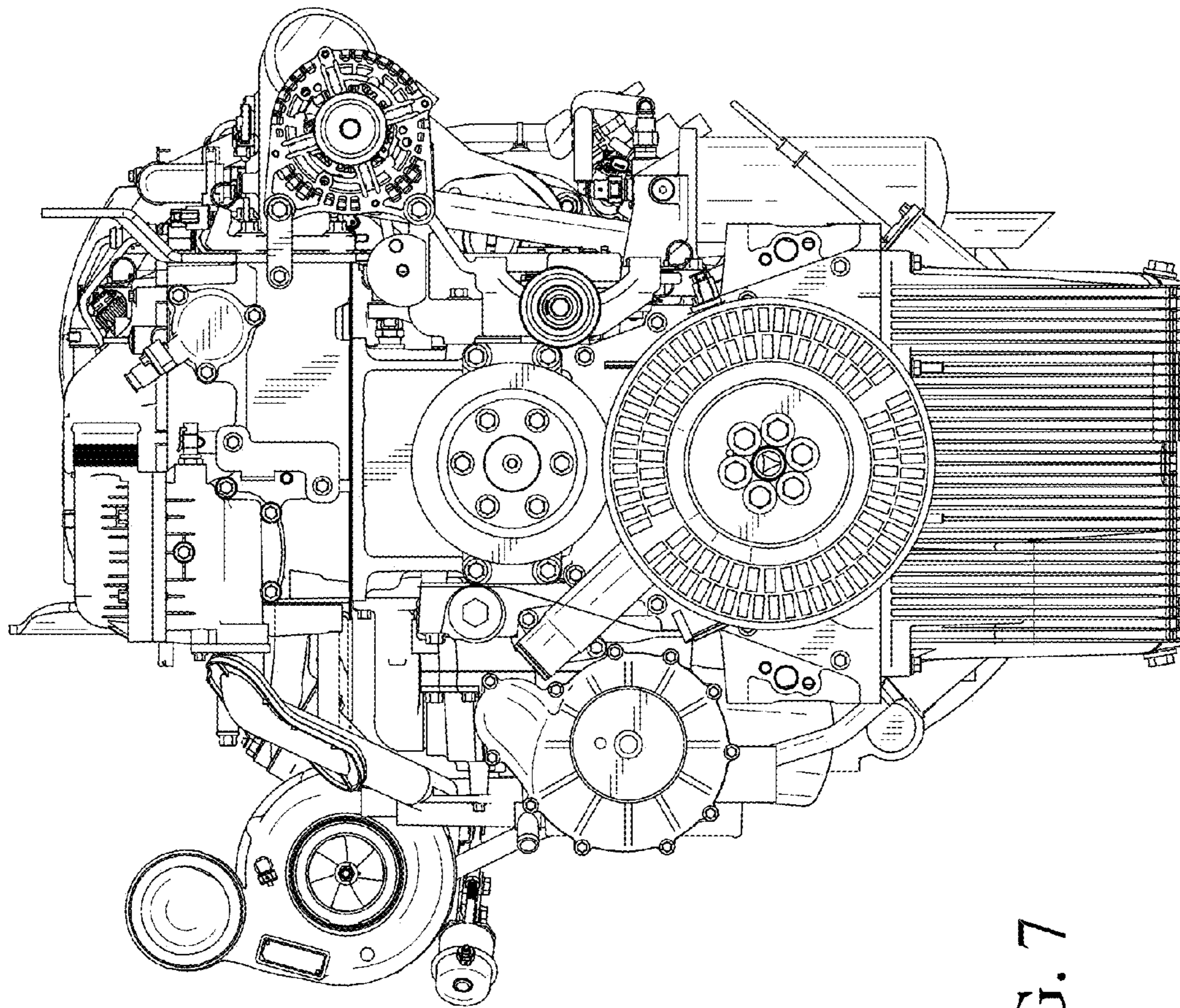


FIG. 7



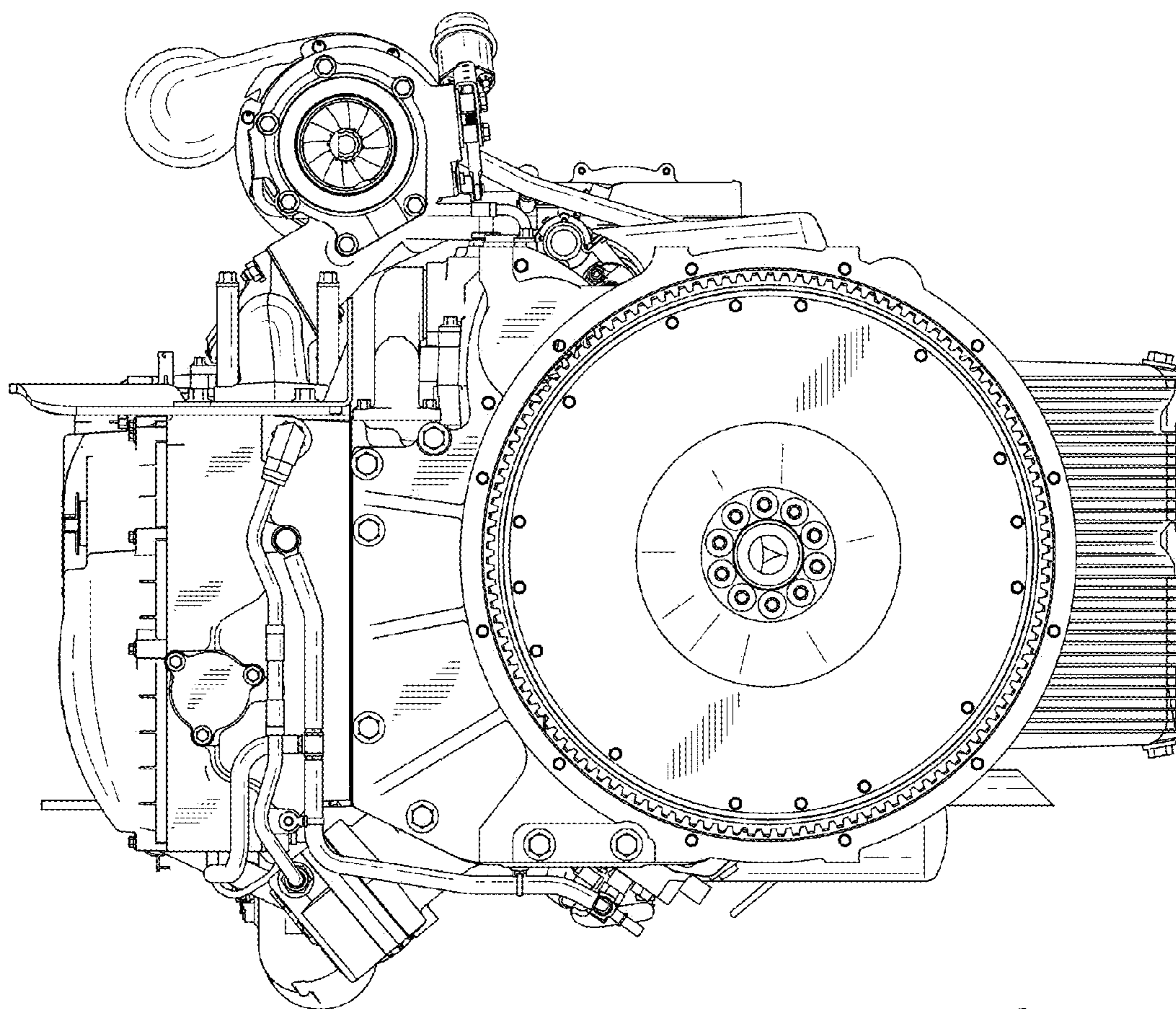


FIG. 8

UNITED STATES PATENT AND TRADEMARK OFFICE  
**CERTIFICATE OF CORRECTION**

PATENT NO. : D704,740 S  
APPLICATION NO. : 29/438426  
DATED : May 13, 2014  
INVENTOR(S) : Bellinger et al.

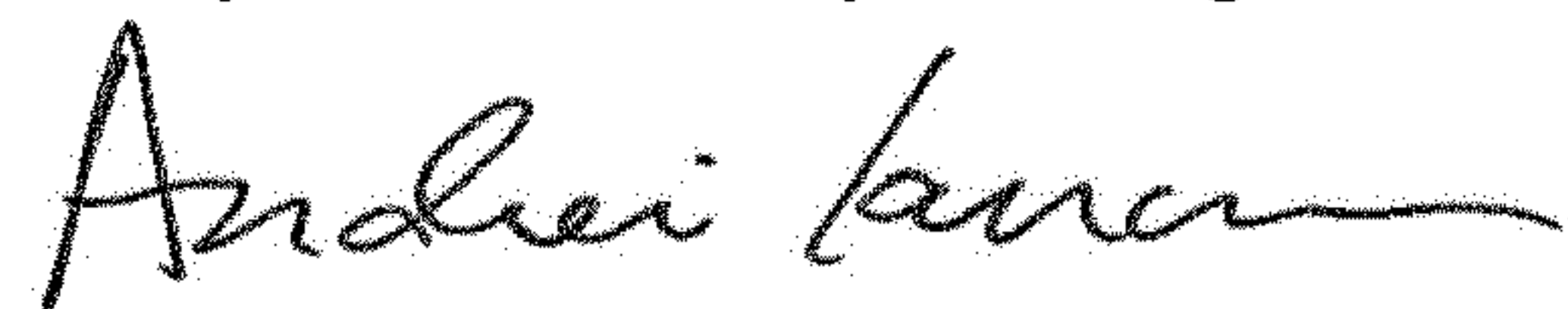
Page 1 of 1

It is certified that error appears in the above-identified patent and that said Letters Patent is hereby corrected as shown below:

On the Title Page

Item (72) add the sixth inventor:  
Girish Chandra Kura, Greenwood, IN (US)

Signed and Sealed this  
Twenty-seventh Day of August, 2019



Andrei Iancu  
*Director of the United States Patent and Trademark Office*