



US00D704739S

(12) **United States Design Patent**
Woo et al.

(10) **Patent No.:** **US D704,739 S**

(45) **Date of Patent:** **** May 13, 2014**

(54) **AV PLAYER**

(56) **References Cited**

(71) Applicant: **Samsung Electronics Co., Ltd.**,
Suwon-si (KR)
(72) Inventors: **Byung-Min Woo**, Bucheon-Si (KR);
Chae-Joo Son, Namyangjoo-Si (KR)
(73) Assignee: **Samsung Electronics Co., Ltd.**,
Suwon-si (KR)

U.S. PATENT DOCUMENTS

D381,022 S *	7/1997	Tattari	D14/191
D491,594 S *	6/2004	Senda	D16/219
D514,588 S *	2/2006	Sassano	D14/496
D524,288 S *	7/2006	Lee	D14/168
D560,487 S *	1/2008	Boettcher et al.	D3/294
D561,225 S *	2/2008	Miyahara	D16/219
D571,782 S *	6/2008	Moldauer et al.	D14/198
D613,308 S *	4/2010	Cho et al.	D14/502

(**) Term: **14 Years**

* cited by examiner

(21) Appl. No.: **29/446,882**

Primary Examiner — Prabhakar Deshmukh

Assistant Examiner — Janice Lim

(22) Filed: **Feb. 28, 2013**

(74) *Attorney, Agent, or Firm* — NSIP Law

(30) **Foreign Application Priority Data**

(57) **CLAIM**

The ornamental design for an AV player, as shown and described.

Aug. 29, 2012 (KR) 30-2012-0041590

DESCRIPTION

(51) **LOC (10) Cl.** **14-03**

FIG. 1 is a front perspective view of an AV player showing our new design;

(52) **U.S. Cl.**

USPC **D14/502**

FIG. 2 is a front view of the AV player of FIG. 1;

(58) **Field of Classification Search**

USPC D9/430, 431, 435; D13/103, 108;
D14/135, 155, 157, 160-162, 167, 168,
D14/188-198, 250, 257, 258, 265, 348, 356,
D14/363, 365, 367, 368, 496, 498-505,
D14/511; D16/219, 221; 360/99.02, 99.07;
369/75.11, 75.21, 77.11, 77.21;
720/601, 612, 619, 649, 655

FIG. 3 is a rear view of the AV player of FIG. 1;

FIG. 4 is a left-side view of the AV player of FIG. 1;

FIG. 5 is a right-side view of the AV player of FIG. 1;

FIG. 6 is a top plan view of the AV player of FIG. 1; and,

FIG. 7 is a bottom plan view of the AV player of FIG. 1.

Features shown in broken lines in FIGS. 2, 3, 4, 5, and 7 show unclaimed subject matter and form no part of the claimed design.

See application file for complete search history.

1 Claim, 5 Drawing Sheets

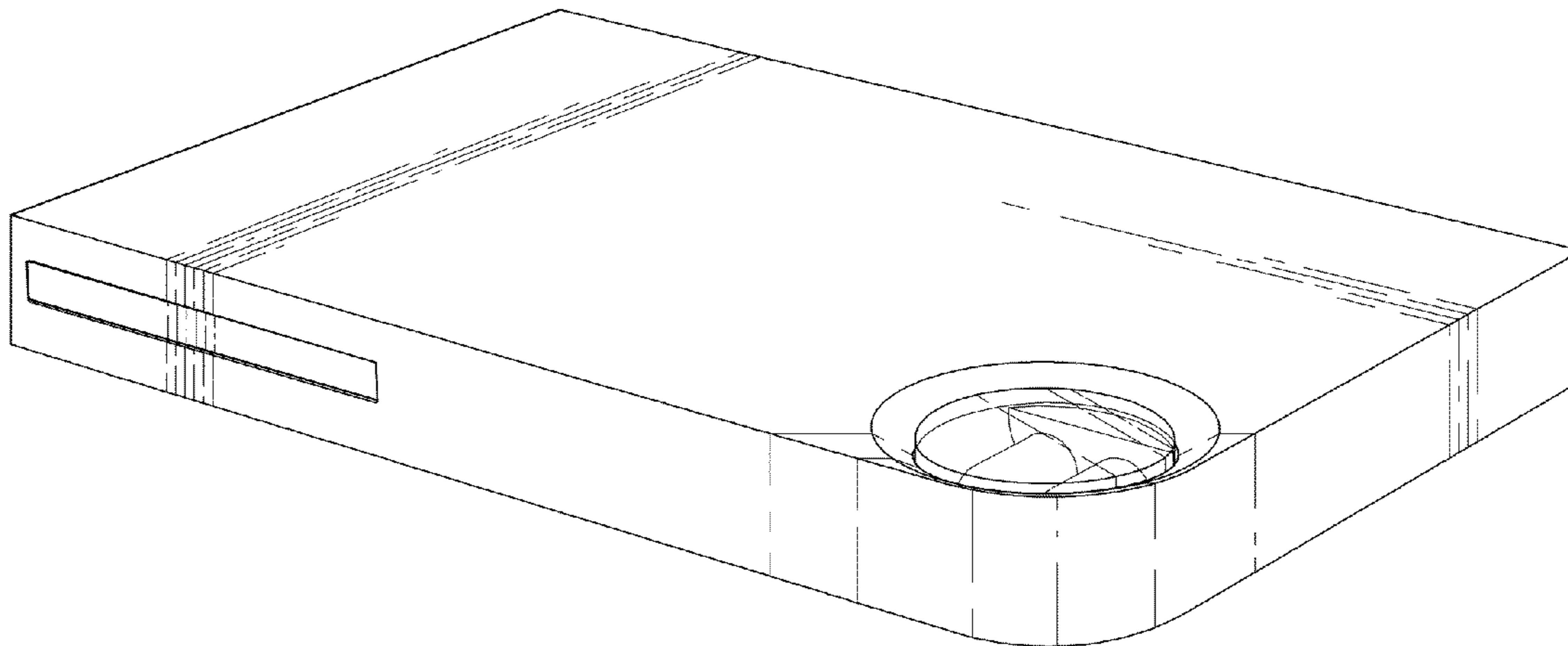


FIG. 1

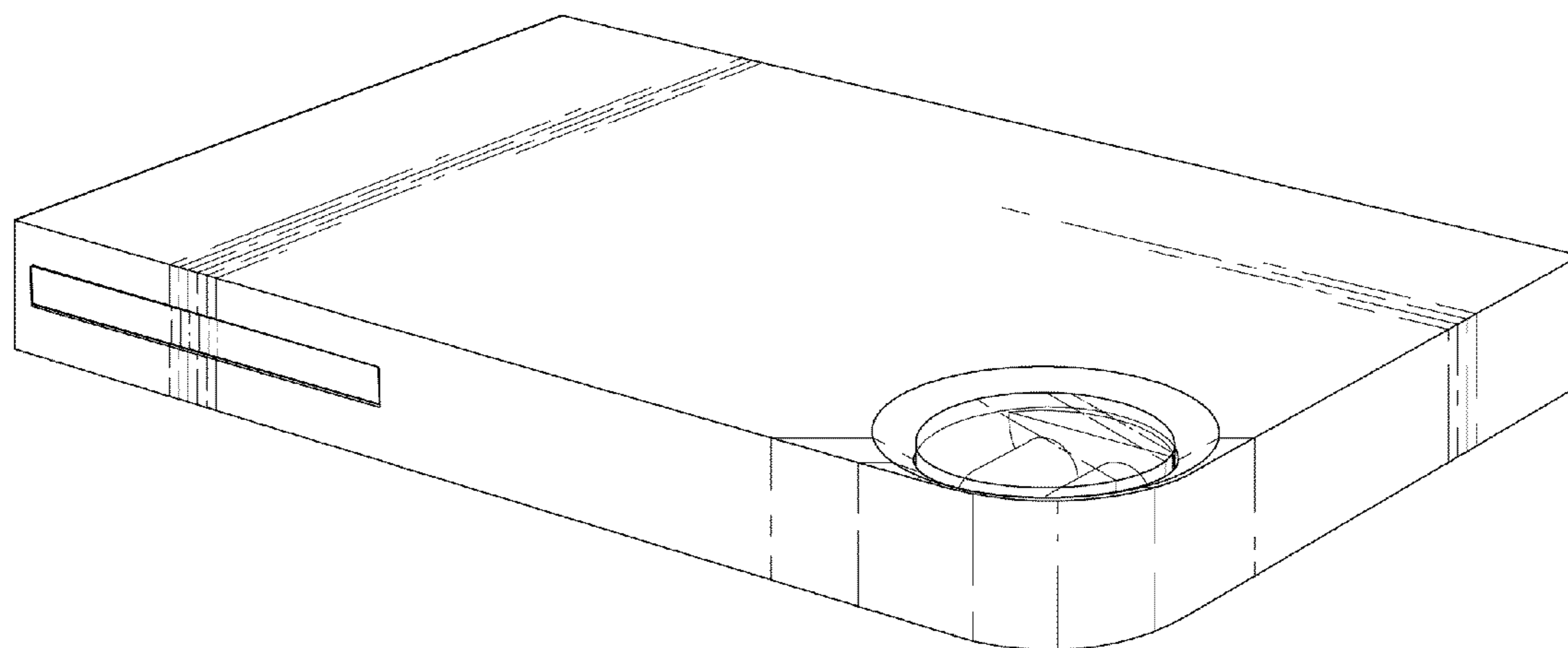


FIG. 2

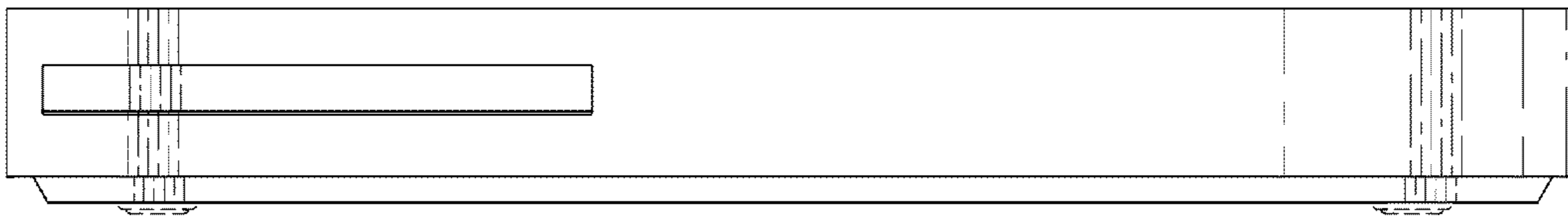


FIG. 3

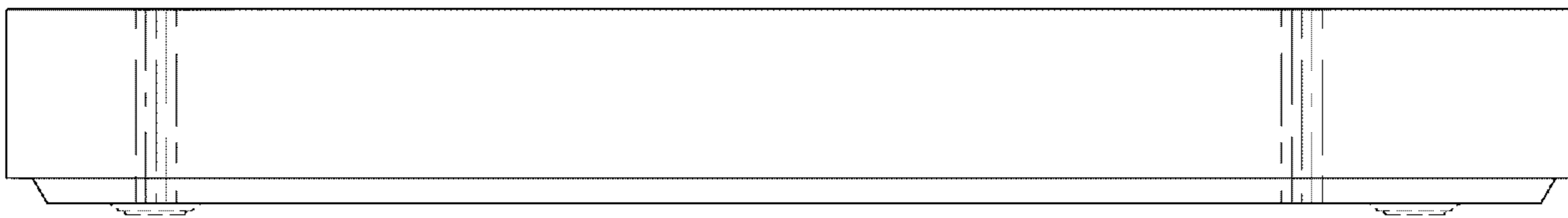


FIG. 4

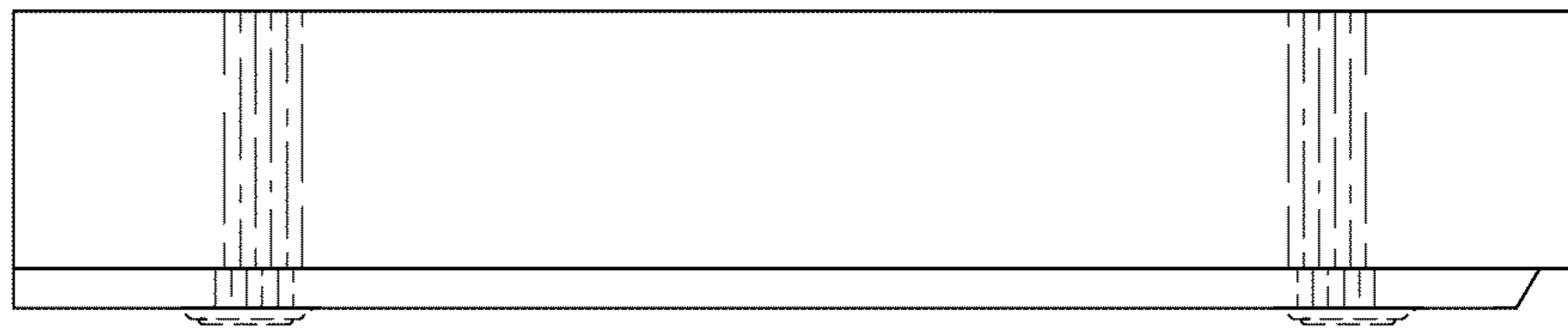


FIG. 5

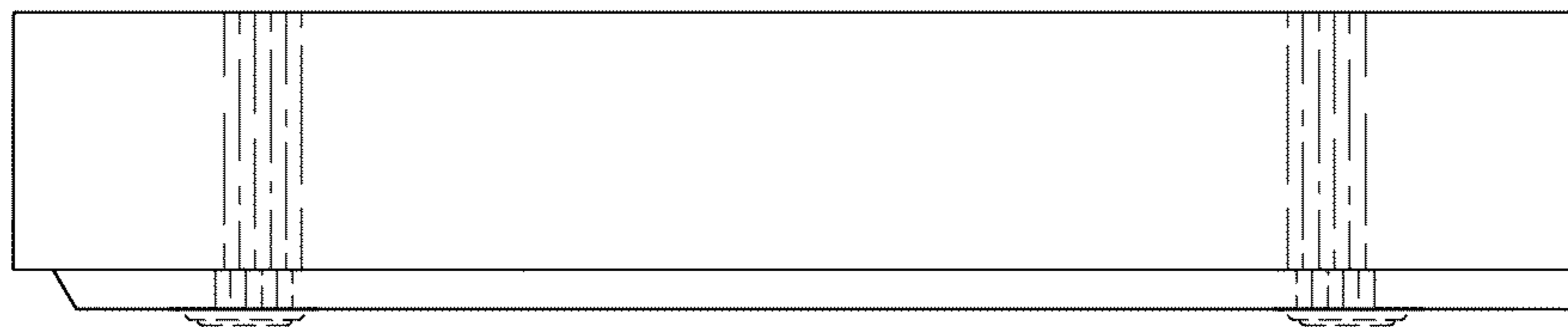


FIG. 6

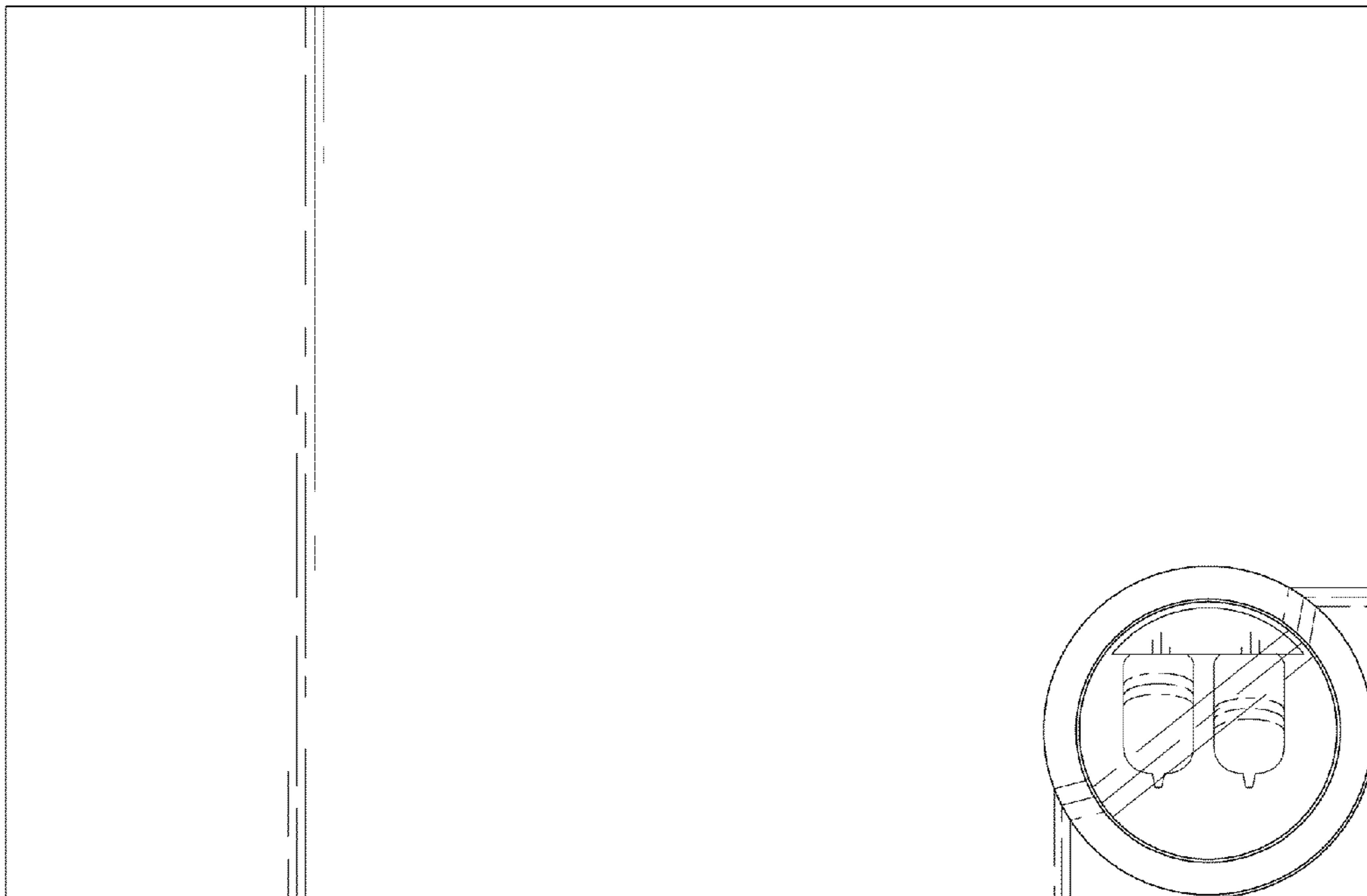


FIG. 7

