



US00D704735S

(12) **United States Design Patent**
Hollobaugh et al.

(10) **Patent No.:** **US D704,735 S**

(45) **Date of Patent:** **** May 13, 2014**

(54) **DISPLAY SCREEN WITH ICON**

(71) Applicant: **Microsoft Corporation**, Redmond, WA
(US)

(72) Inventors: **Gregory J. Hollobaugh**, Seattle, WA
(US); **Han-Yi Shaw**, Redmond, WA
(US); **Jeffery Boettcher**, Monroe, WA
(US)

(73) Assignee: **Microsoft Corporation**, Redmond, WA
(US)

(**) Term: **14 Years**

(21) Appl. No.: **29/448,578**

(22) Filed: **Mar. 13, 2013**

(51) **LOC (10) Cl.** **14-04**

(52) **U.S. Cl.**
USPC **D14/489**

(58) **Field of Classification Search**
USPC D14/485-495; 715/715, 727, 728, 763,
715/779, 810, 825, 835, 836, 837, 838, 839,
715/840, 845, 846, 847, 864, 962, 976, 977
See application file for complete search history.

(56) **References Cited**

U.S. PATENT DOCUMENTS

D385,868 S * 11/1997 Fumarolo et al. D14/489
D393,840 S * 4/1998 Sakazume D14/489

6,747,631 B1 * 6/2004 Sakamaki et al. 345/157
D544,871 S * 6/2007 Lim et al. D14/485
D563,981 S * 3/2008 Montagne et al. D14/489
D602,027 S * 10/2009 Queric D14/485
D602,028 S * 10/2009 Queric D14/485
D611,953 S * 3/2010 Fletcher et al. D14/489
D665,409 S * 8/2012 Gupta et al. D14/488
D670,310 S * 11/2012 Saito D14/489
D678,901 S * 3/2013 Gleasman D14/489
D688,676 S * 8/2013 Okumura et al. D14/486
D697,531 S * 1/2014 Phelan D14/489

* cited by examiner

Primary Examiner — Angela J Lee

(74) *Attorney, Agent, or Firm* — Banner & Witcoff, Ltd.

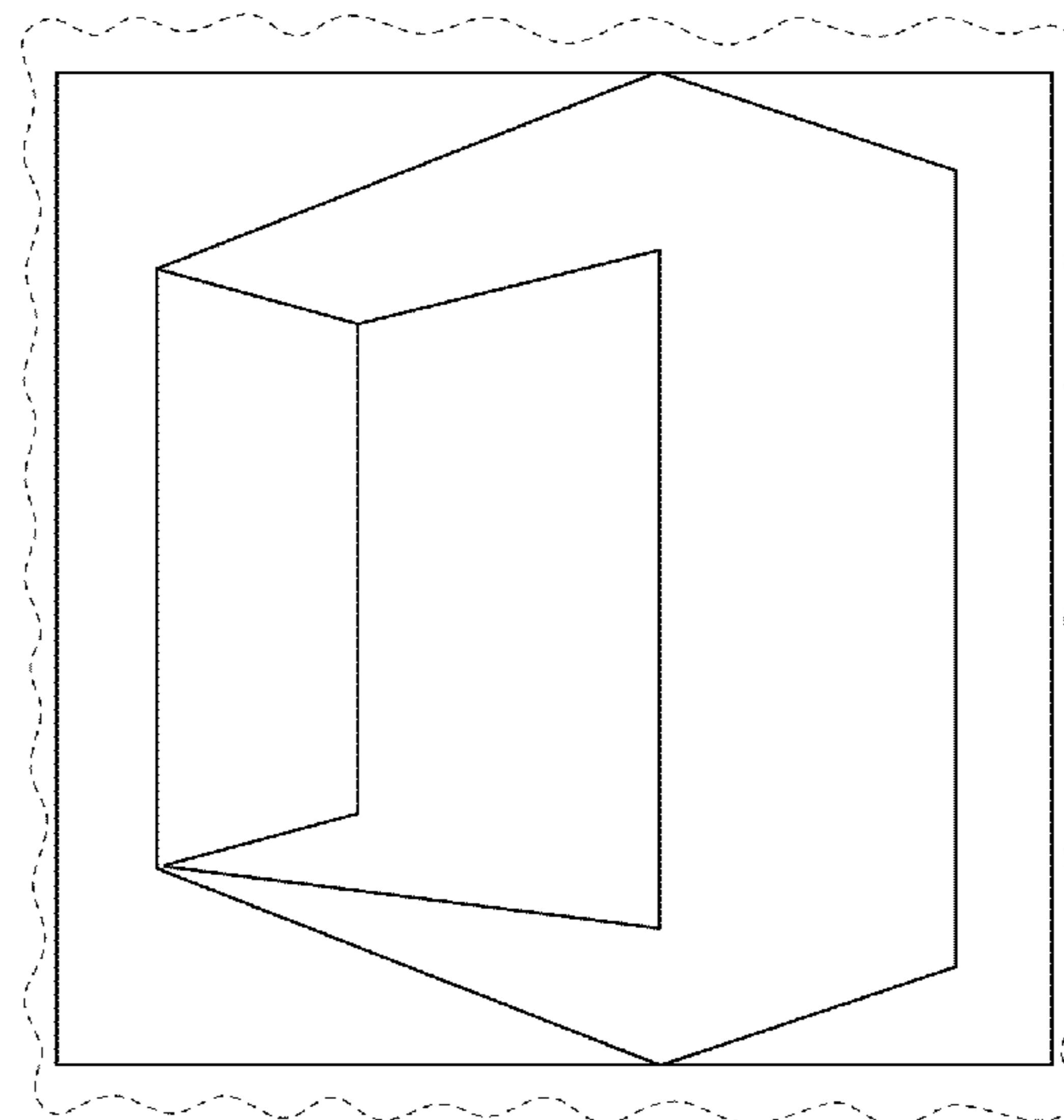
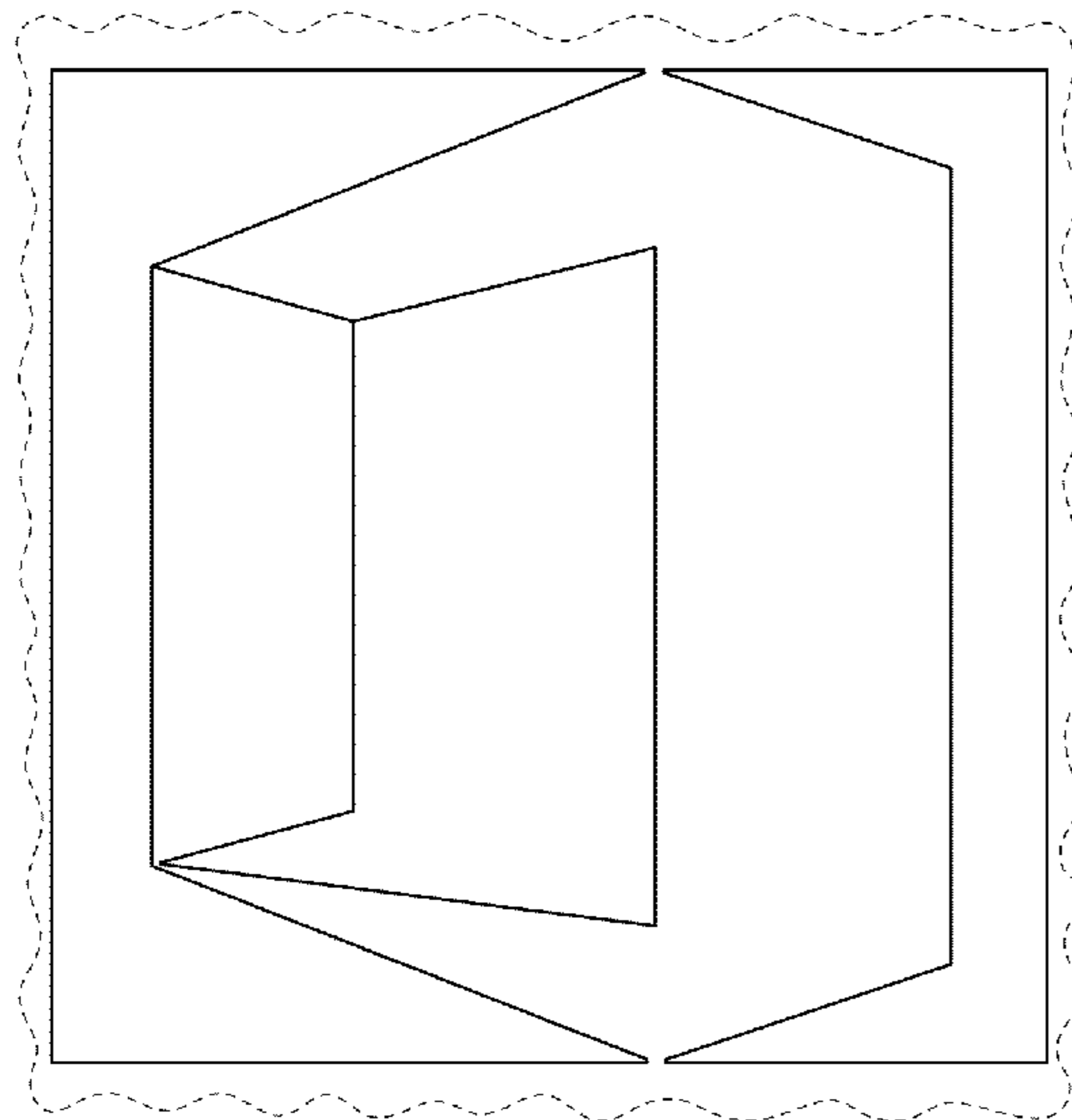
(57) **CLAIM**

The ornamental design for a display screen with icon, as shown and described.

DESCRIPTION

FIG. 1 is a front view of a display screen with icon showing our new design; and, FIG. 2 is a front view of a display screen with icon showing an alternative embodiment of our new design. The broken line showing of the remainder of the user interface and display screen is for environmental purposes only and forms no part of the claimed design.

1 Claim, 2 Drawing Sheets



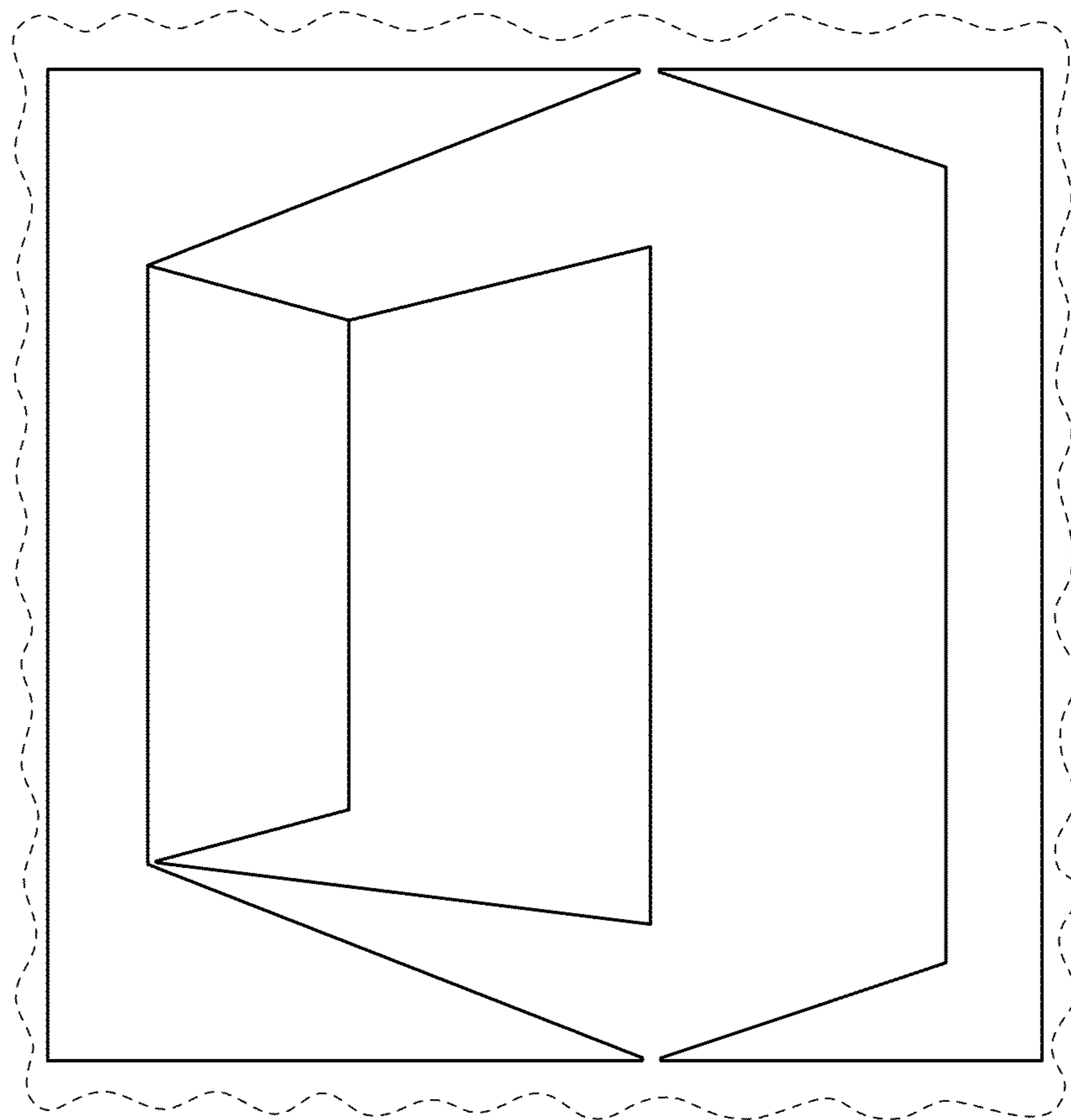


FIGURE 1

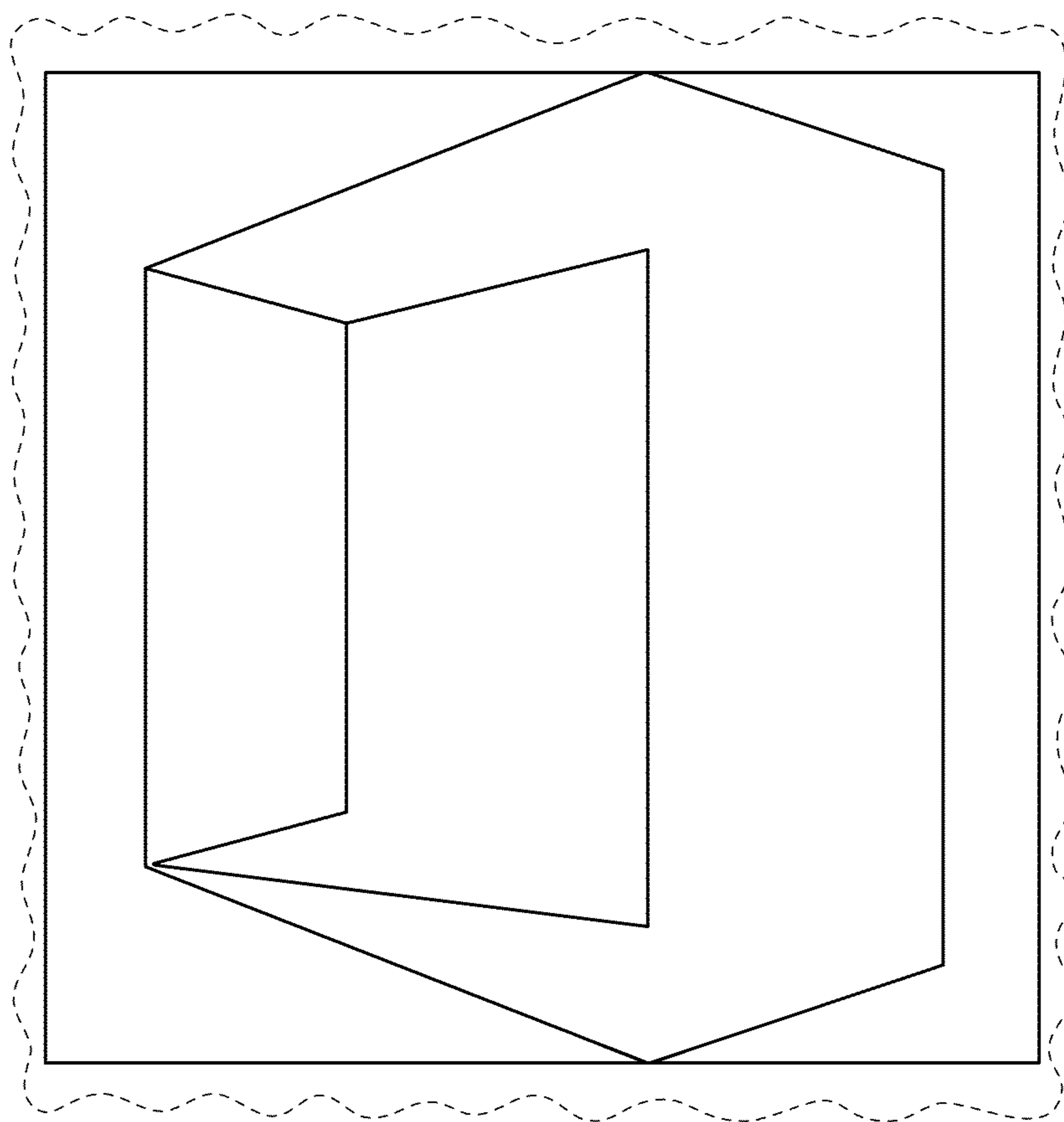


FIGURE 2