



US00D704730S

(12) **United States Design Patent**  
**Pearson et al.**

(10) **Patent No.:** **US D704,730 S**

(45) **Date of Patent:** **\*\* May 13, 2014**

(54) **DISPLAY SCREEN WITH ANIMATED GRAPHICAL USER INTERFACE**

(75) Inventors: **Mark E. Pearson**, Renton, WA (US);  
**Erez Kikin Gil**, Redmond, WA (US);  
**Maya Rodrig**, Seattle, WA (US); **Travis M. Spomer**, Redmond, WA (US)

(73) Assignee: **Microsoft Corporation**, Redmond, WA (US)

(\*\*) Term: **14 Years**

(21) Appl. No.: **29/412,959**

(22) Filed: **Feb. 9, 2012**

(51) **LOC (10) Cl.** ..... **14-04**

(52) **U.S. Cl.**  
USPC ..... **D14/488**

(58) **Field of Classification Search**  
USPC ..... D14/485-95; D18/24-33; D19/6, 52;  
D20/11; D21/324-33; 715/700-867,  
715/973-77  
See application file for complete search history.

(56) **References Cited**

**U.S. PATENT DOCUMENTS**

D389,135 S *	1/1998	Yamamoto et al. ....	D14/493
D526,655 S *	8/2006	McDougall et al. ....	D14/485
D526,661 S *	8/2006	Arai .....	D14/493
D541,295 S *	4/2007	Harvey et al. ....	D14/493
D544,879 S *	6/2007	Harvey et al. ....	D14/493
D544,880 S *	6/2007	Harvey et al. ....	D14/493
D545,827 S *	7/2007	Evans et al. ....	D14/485
D554,138 S *	10/2007	Evans et al. ....	D14/486
D554,142 S *	10/2007	Cameron .....	D14/487
D569,873 S *	5/2008	Borovsky .....	D14/487
D570,363 S *	6/2008	Ulm et al. ....	D14/487
D570,364 S *	6/2008	Myers et al. ....	D14/487
D570,866 S *	6/2008	Borovsky et al. ....	D14/487
D574,010 S *	7/2008	Borovsky et al. ....	D14/487
D614,194 S *	4/2010	Guntaur et al. ....	D14/486
D630,224 S *	1/2011	Allen .....	D14/485

D637,605 S *	5/2011	Brinda .....	D14/488
D640,274 S *	6/2011	Arnold .....	D14/487
D658,200 S *	4/2012	Gleasant et al. ....	D14/486
D658,675 S *	5/2012	Gleasant et al. ....	D14/488
D664,973 S *	8/2012	Gleasant et al. ....	D14/486
D664,974 S *	8/2012	Gleasant et al. ....	D14/486
D666,630 S *	9/2012	LeVee et al. ....	D14/486
D673,167 S *	12/2012	Woo et al. ....	D14/487
D673,974 S *	1/2013	Sepulveda .....	D14/493
D681,045 S *	4/2013	Covington et al. ....	D14/485
D690,320 S *	9/2013	Frijlink et al. ....	D14/488

\* cited by examiner

*Primary Examiner* — Melanie H Tung

(74) *Attorney, Agent, or Firm* — Banner & Witcoff, Ltd.

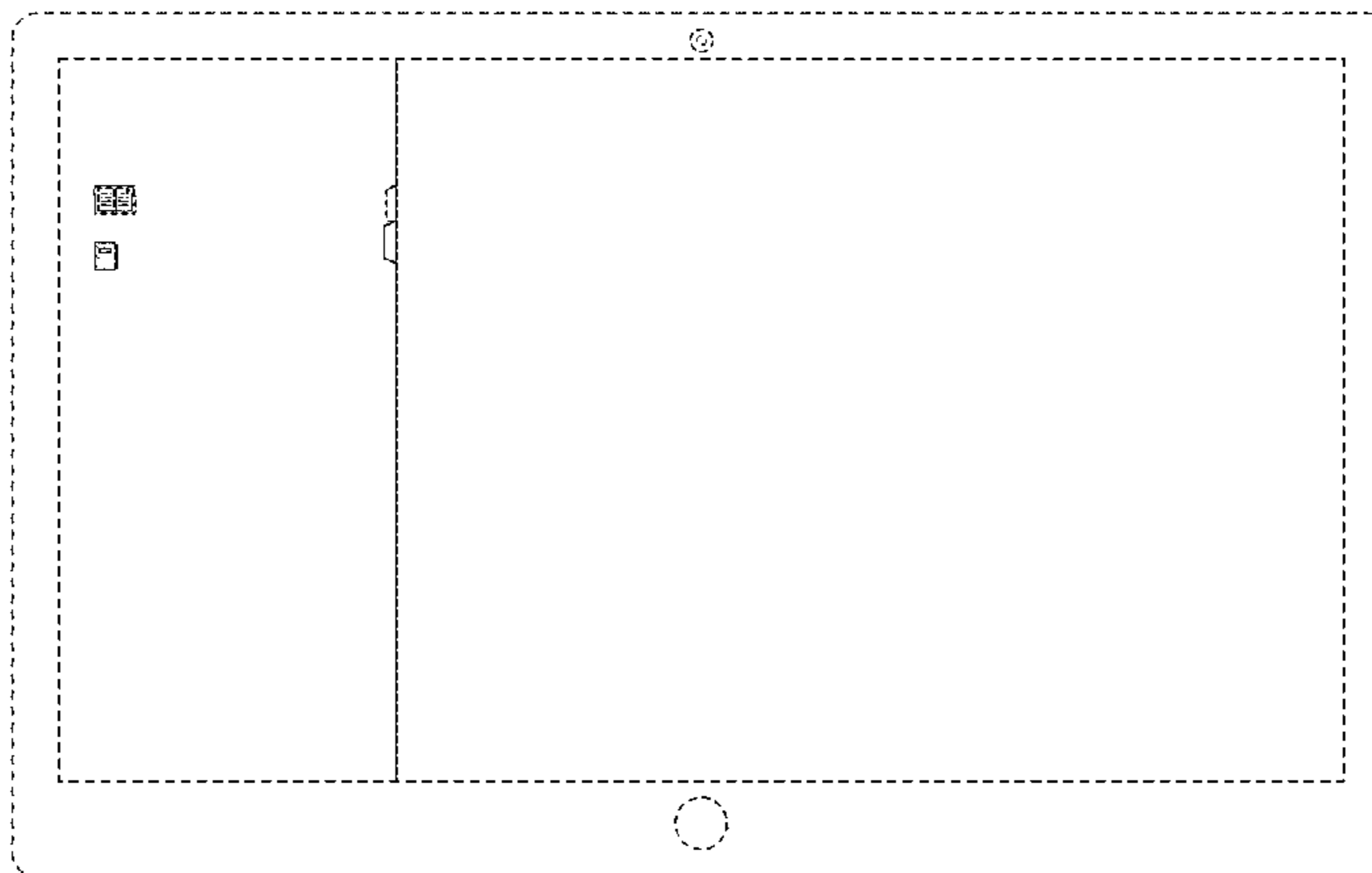
(57) **CLAIM**

The ornamental design for a display screen with animated graphical user interface, as shown and described.

**DESCRIPTION**

FIG. 1 is the first image in a sequence for a display screen with animated graphical user interface showing our new design; FIG. 2 is the second image thereof; FIG. 3 is the third image thereof; FIG. 4 is the fourth image thereof; FIG. 5 is the fifth image thereof; FIG. 6 is the sixth image thereof; FIG. 7 is the seventh image thereof; FIG. 8 is the eighth image thereof; FIG. 9 is the ninth image thereof; FIG. 10 is the tenth image thereof; FIG. 11 is the eleventh image thereof; FIG. 12 is the twelfth image thereof; and, FIG. 13 is the thirteenth image thereof. The appearance of the animated graphical user interface sequentially transitions between the images shown in FIGS. 1-13. The process or period in which one image transitions to another forms no part of the claimed design. The broken line showing of the display screen is for environmental purposes only and forms no part of the claimed design.

**1 Claim, 13 Drawing Sheets**



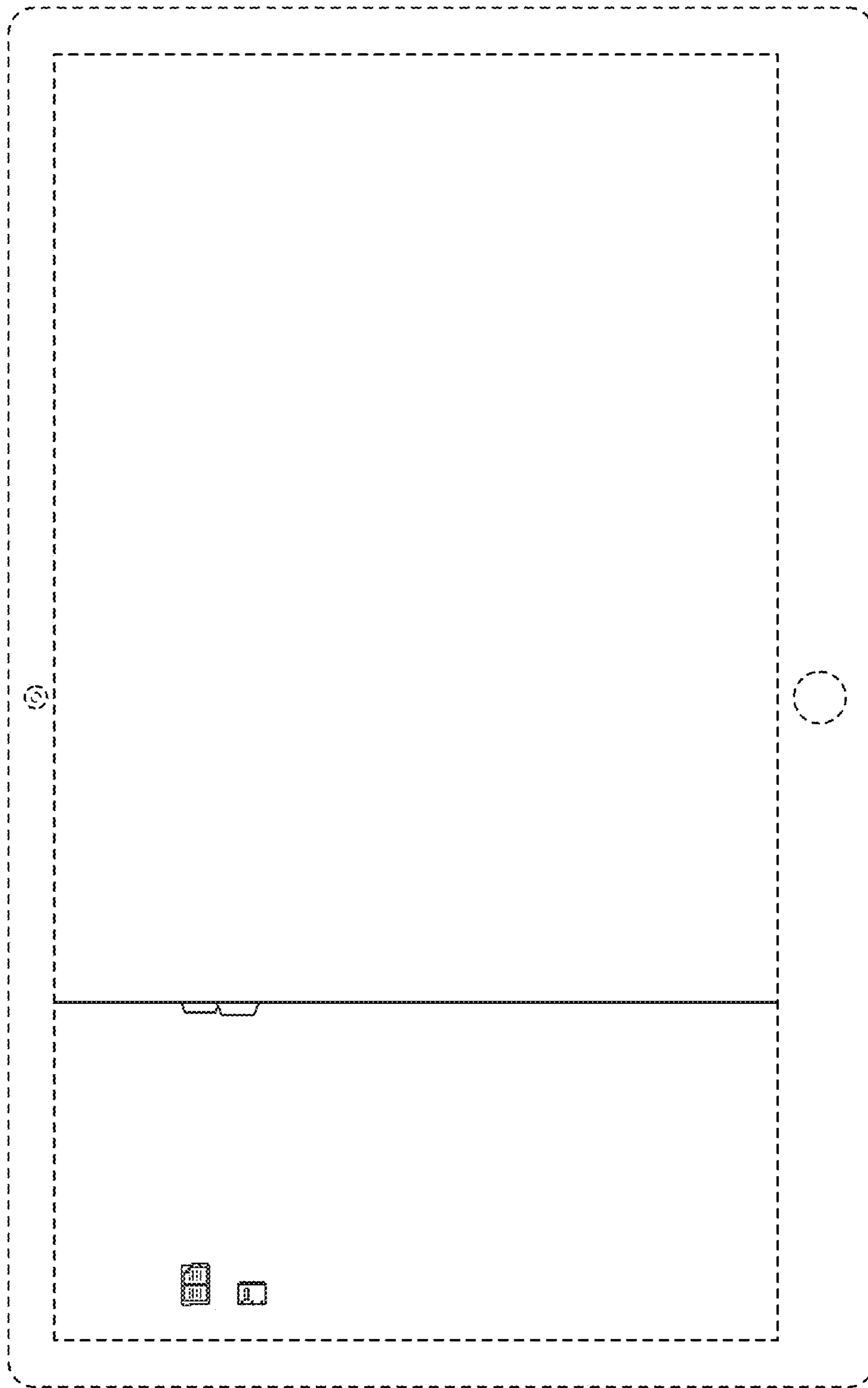


FIG. 1

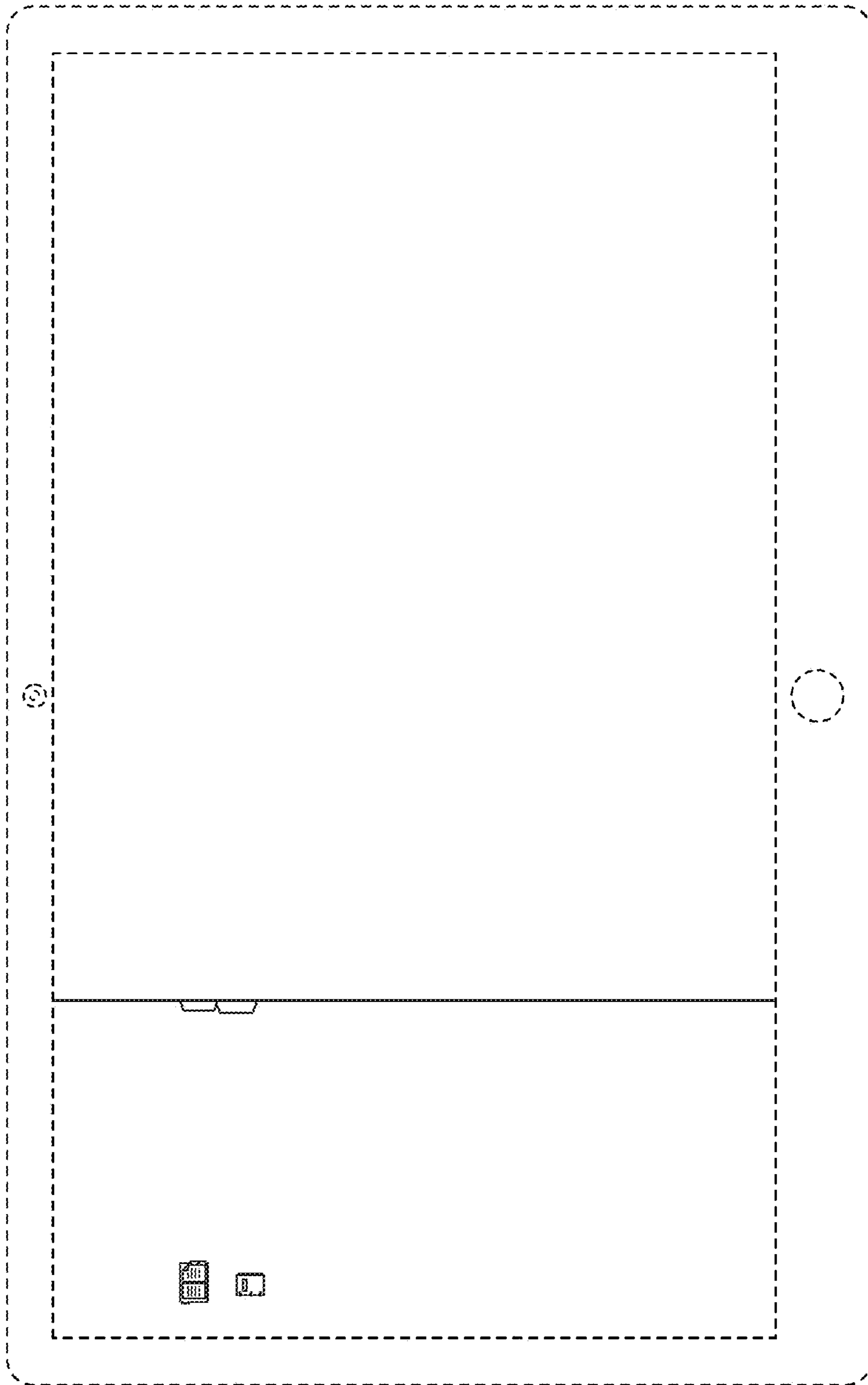


FIG. 2

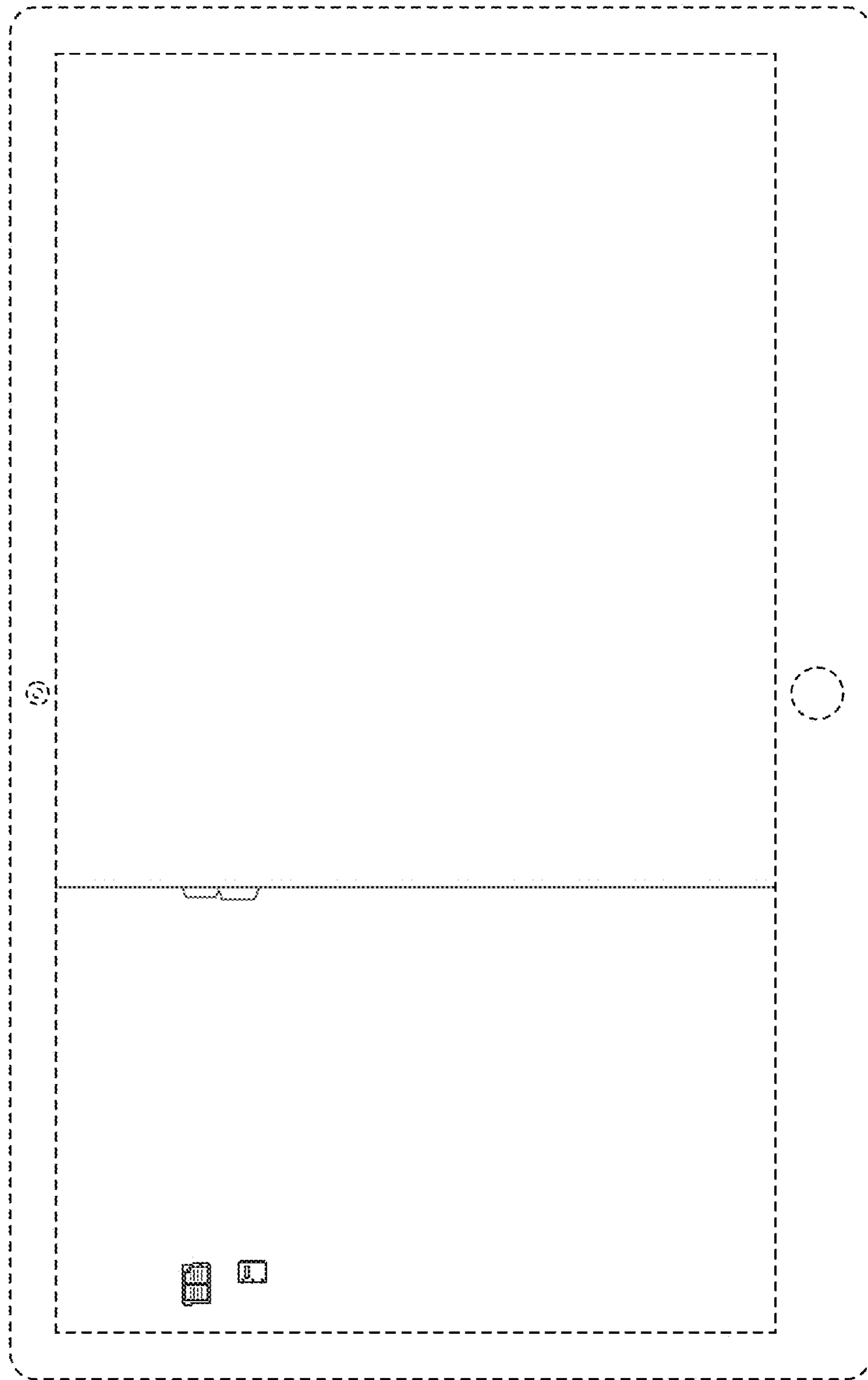


FIG. 3

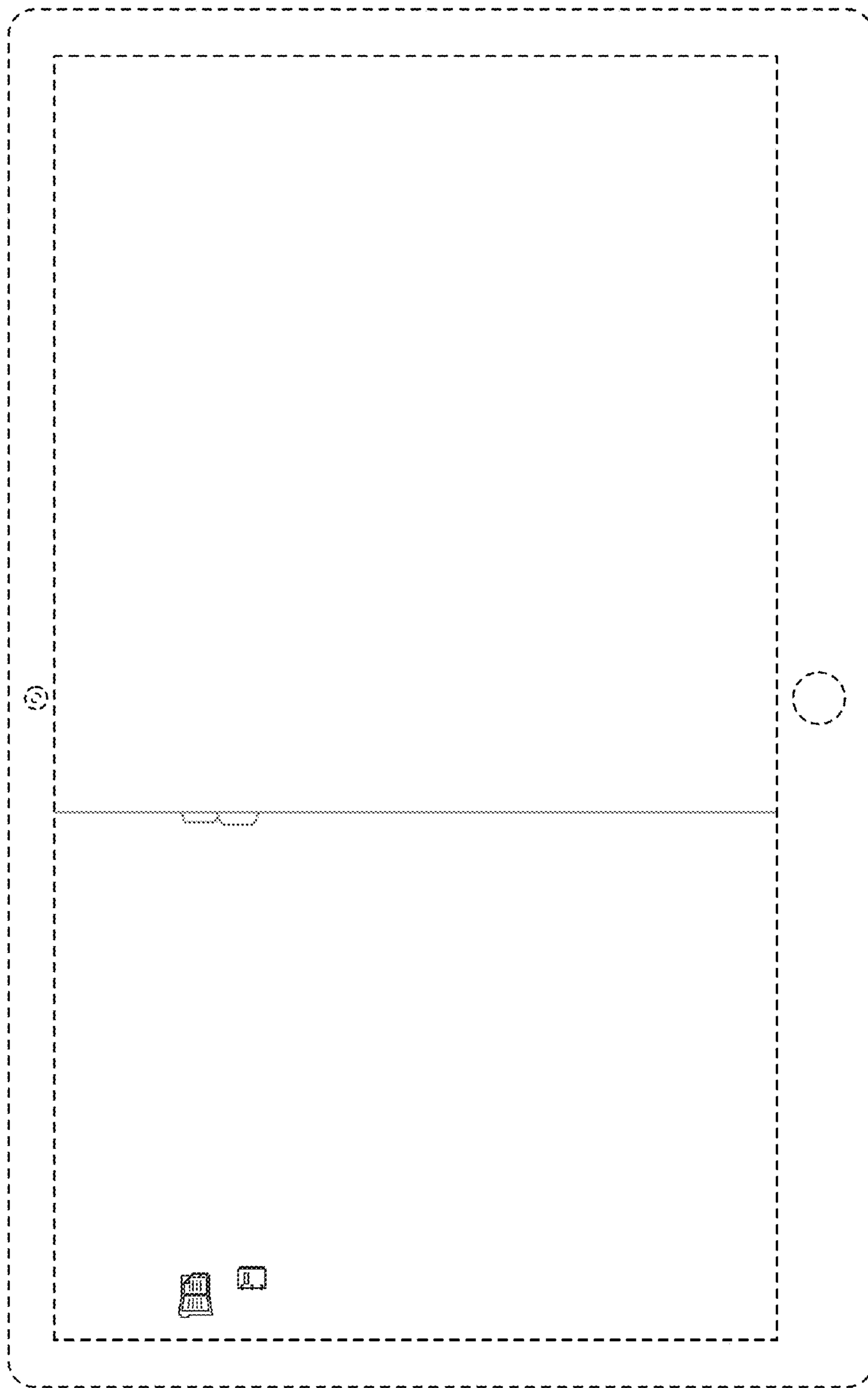


FIG. 4

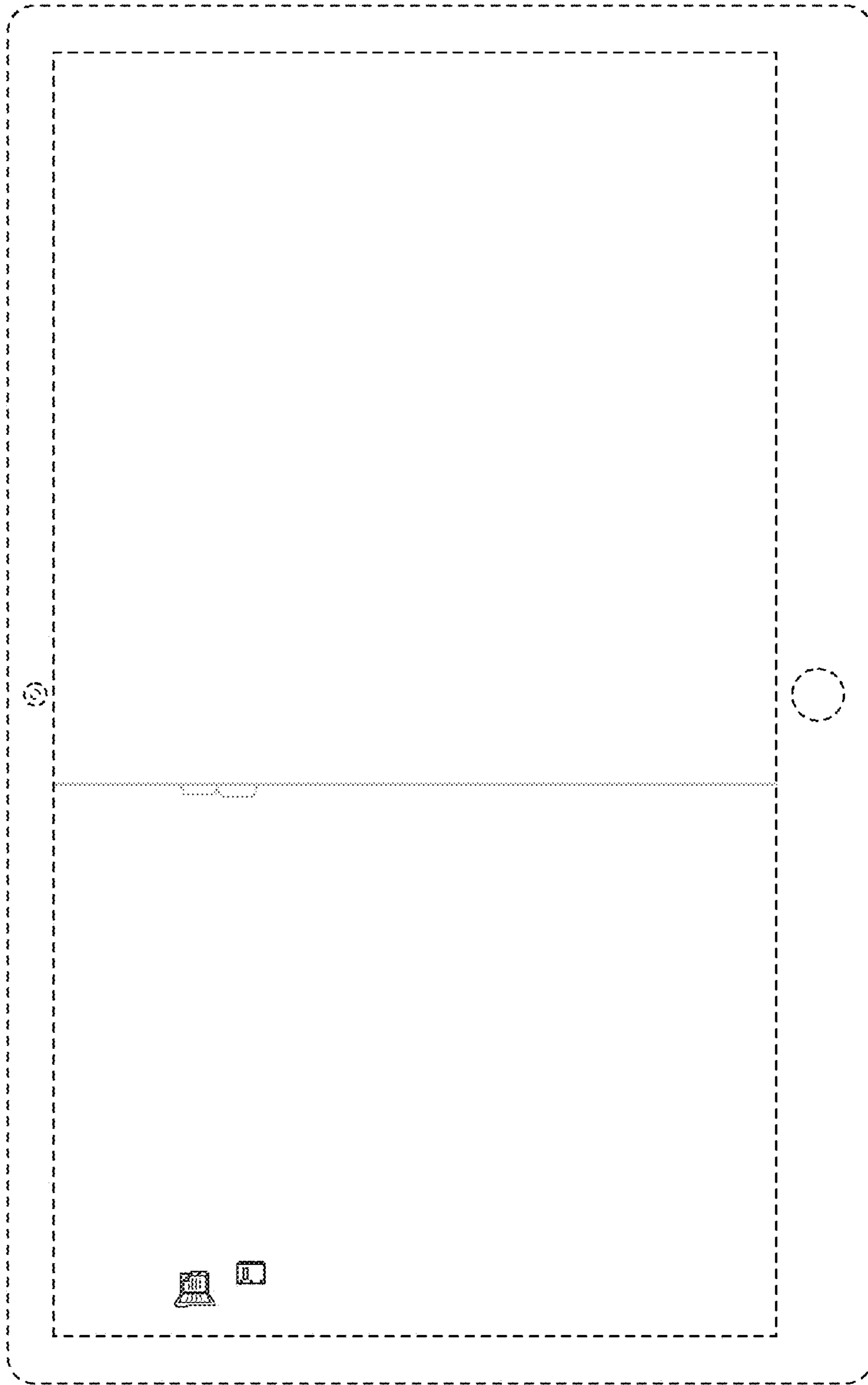


FIG. 5

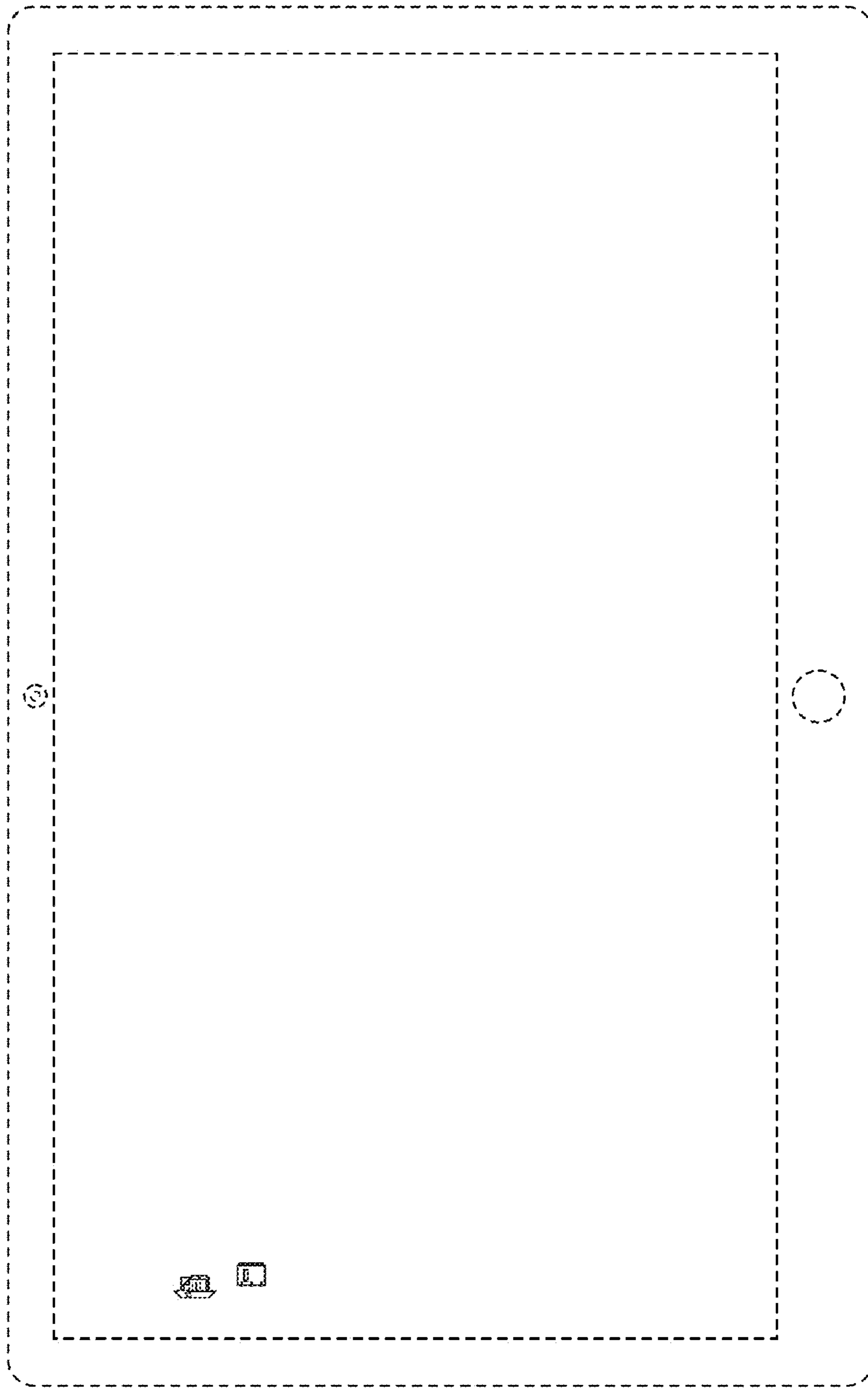


FIG. 6

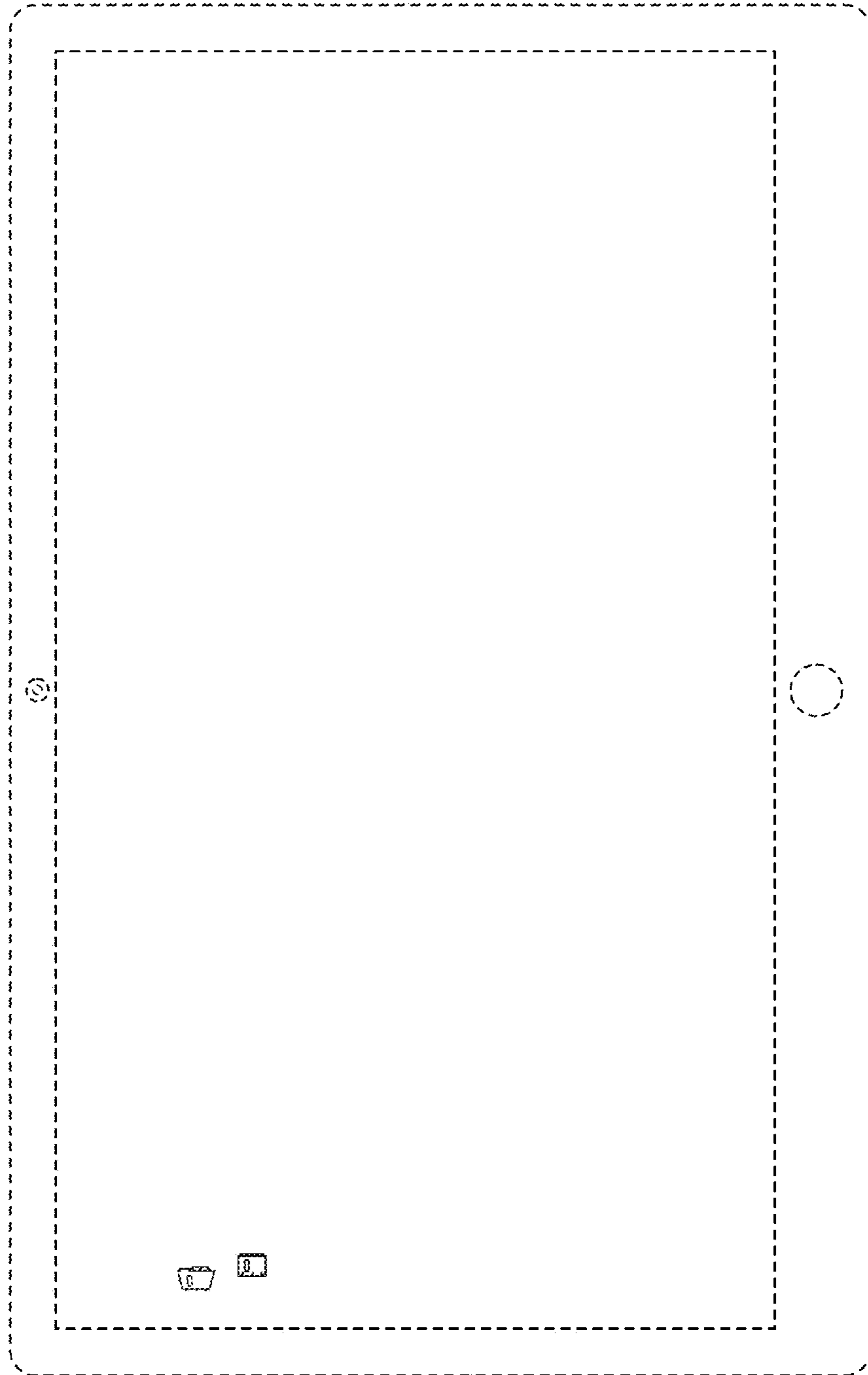


FIG. 7



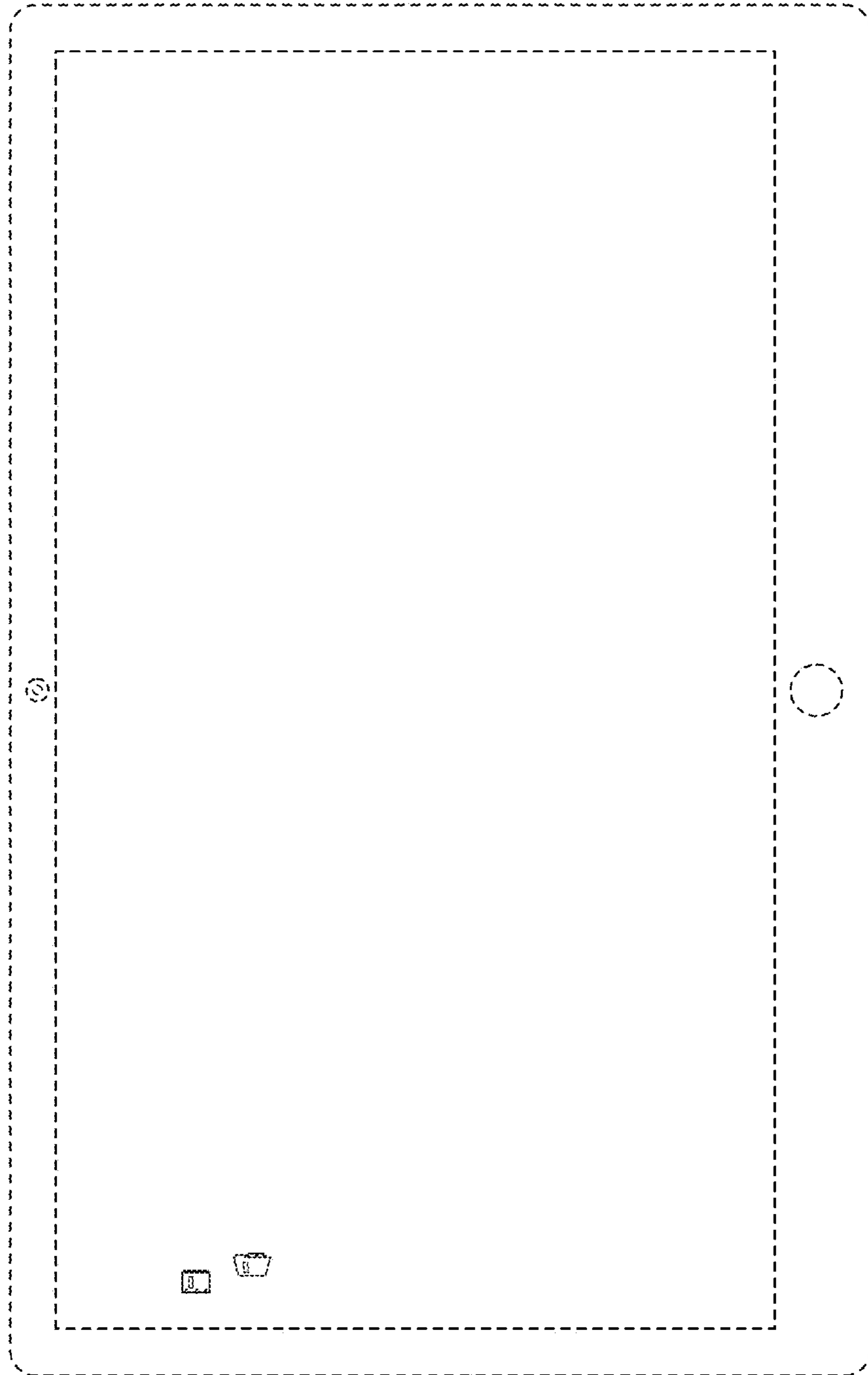


FIG. 8

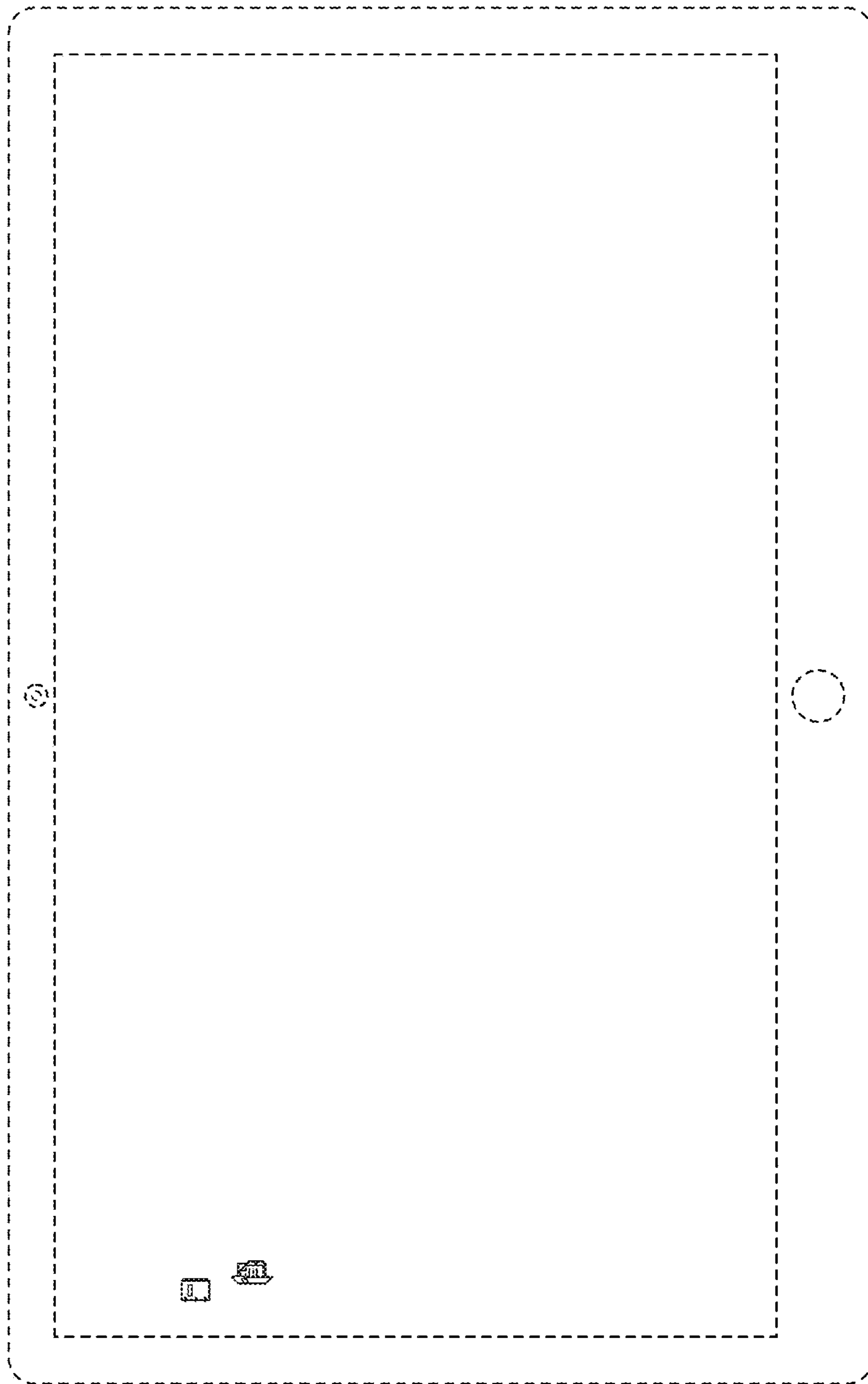


FIG. 9

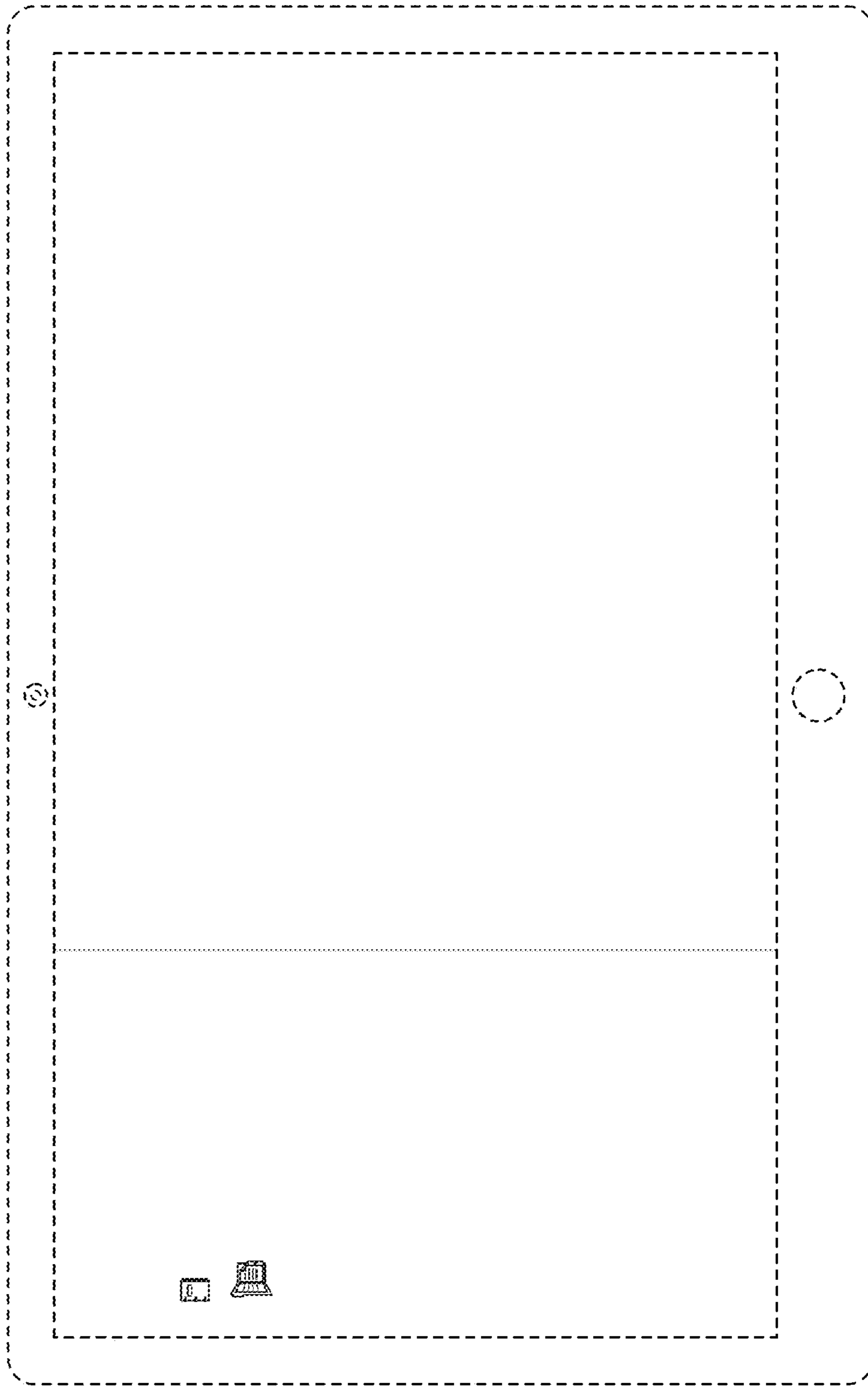


FIG. 10

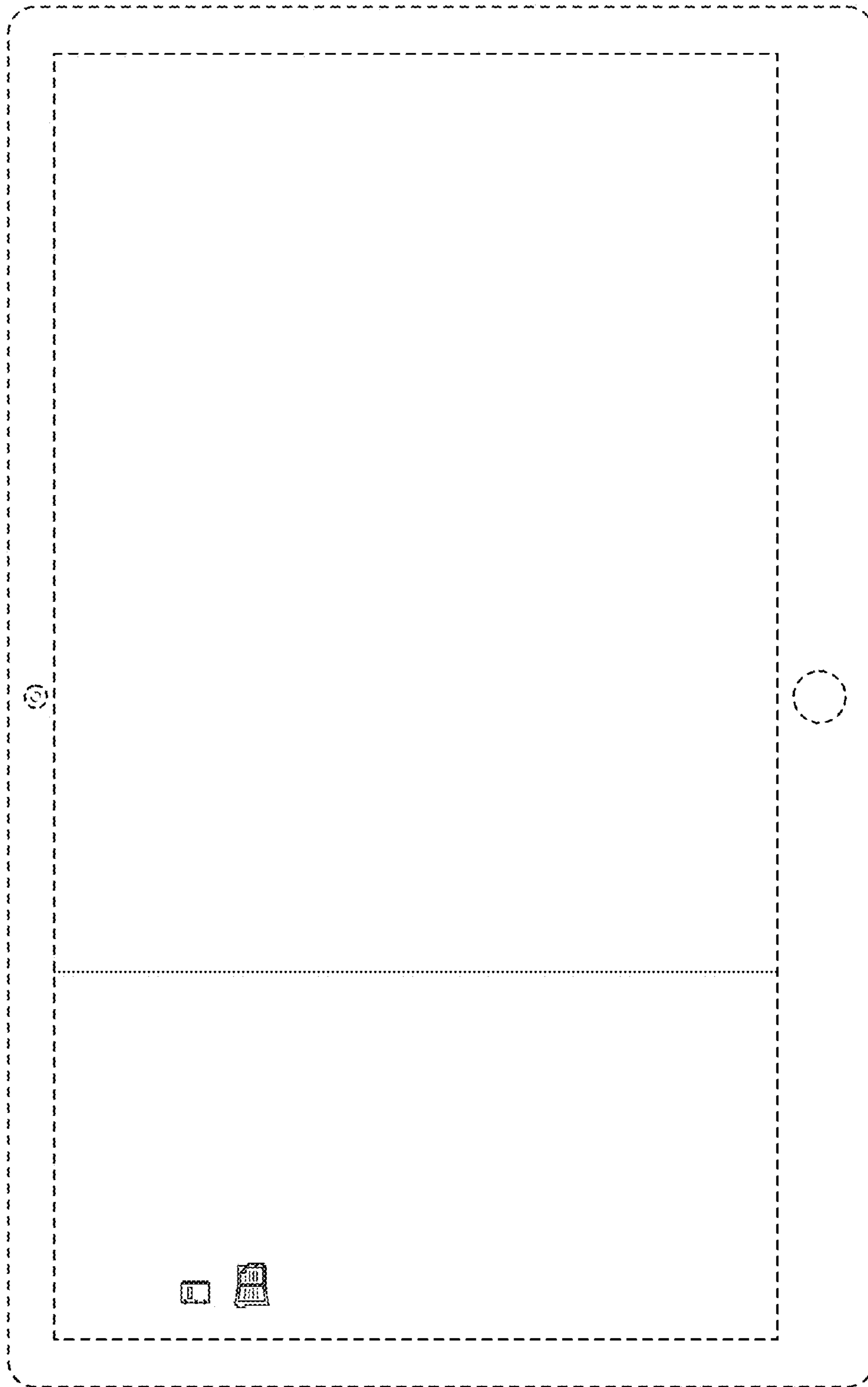


FIG. 11

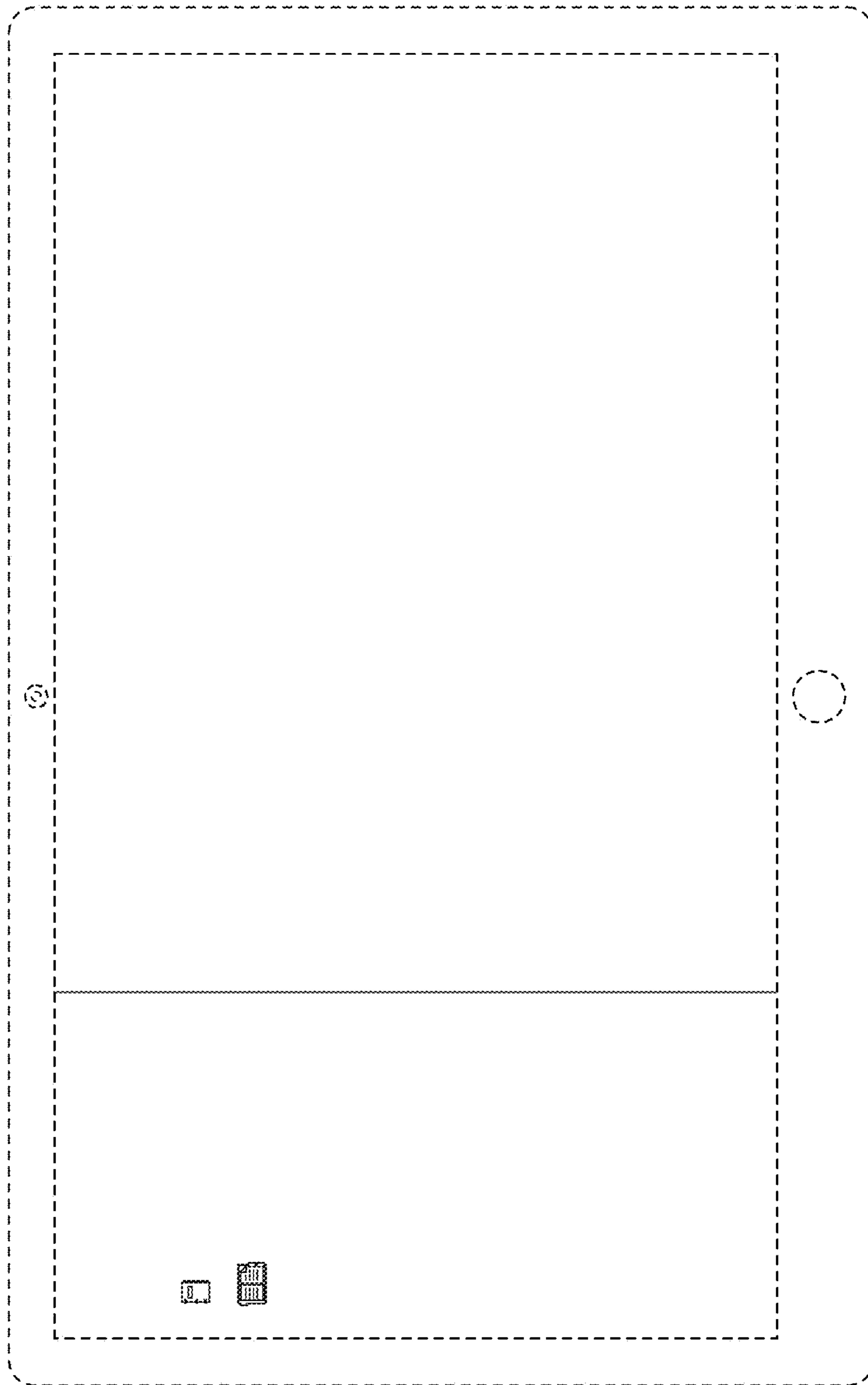


FIG. 12

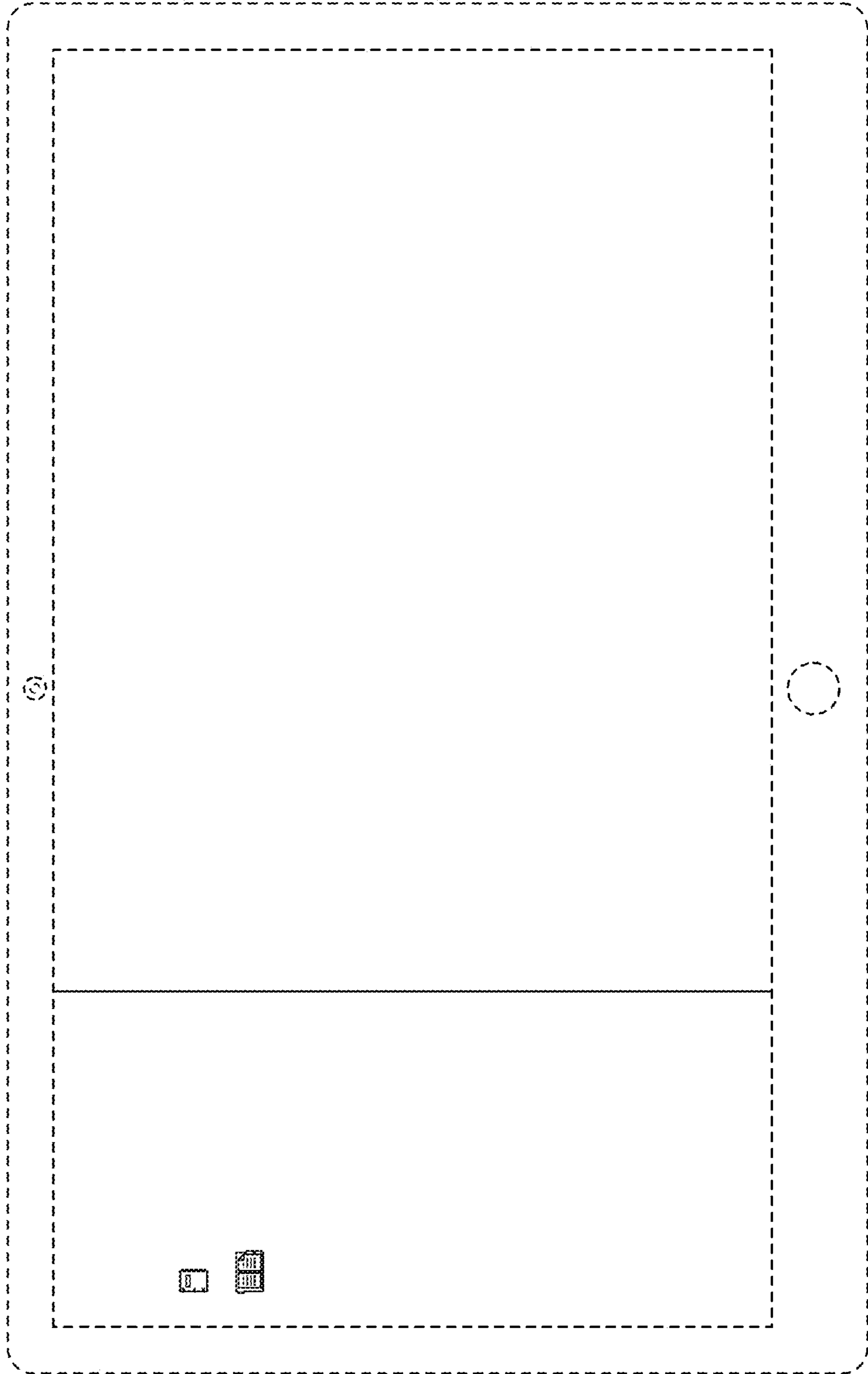


FIG. 13