

US00D704716S

(12) **United States Design Patent**
Ho

(10) **Patent No.:** **US D704,716 S**

(45) **Date of Patent:** **** May 13, 2014**

(54) **BASE FOR A DISPLAY**

(71) Applicant: **Acer Incorporated**, New Taipei (TW)

(72) Inventor: **Ming-Ling Ho**, New Taipei (TW)

(73) Assignee: **Acer Incorporated**, New Taipei (TW)

(**) Term: **14 Years**

(21) Appl. No.: **29/441,693**

(22) Filed: **Jan. 9, 2013**

(30) **Foreign Application Priority Data**

Nov. 29, 2012 (TW) 101307095

(51) **LOC (10) Cl.** **08-07**

(52) **U.S. Cl.**
USPC **D14/451**

(58) **Field of Classification Search**
USPC D14/211, 238, 251, 253, 371–382,
D14/125–129, 336, 337, 447, 448, 451, 452,
D14/492, 450, 239; 341/12; 345/104, 156,
345/168, 173; 348/180, 184, 325, 739;
349/1, 2, 11, 62; 361/679.05–679.07,
361/679.21; D6/300, 310–313, 308, 708
See application file for complete search history.

(56) **References Cited**

U.S. PATENT DOCUMENTS

D128,959 S * 8/1941 Dreyfuss D20/32
D354,750 S * 1/1995 Lewis D14/216
D400,736 S * 11/1998 Churchville et al. D6/467
D495,370 S * 8/2004 Loerop et al. D20/10
D496,923 S * 10/2004 Allen D14/211
D515,730 S * 2/2006 Weiss et al. D27/123
D541,085 S * 4/2007 Marsilio D6/495
D581,304 S * 11/2008 Phillips D10/113.2

D588,576 S * 3/2009 Son et al. D14/211
D588,602 S * 3/2009 Chao et al. D14/451
D598,459 S * 8/2009 Gillespie D14/451
D615,962 S * 5/2010 Lee et al. D14/188
D625,302 S * 10/2010 Kasuga et al. D14/239
D638,022 S * 5/2011 Kasuga et al. D14/451
D681,647 S * 5/2013 Choi D14/451
D688,672 S * 8/2013 Seo et al. D14/451

* cited by examiner

Primary Examiner — Deanna L Pratt

Assistant Examiner — Katie Mroczka

(74) *Attorney, Agent, or Firm* — Jianq Chyun IP Office

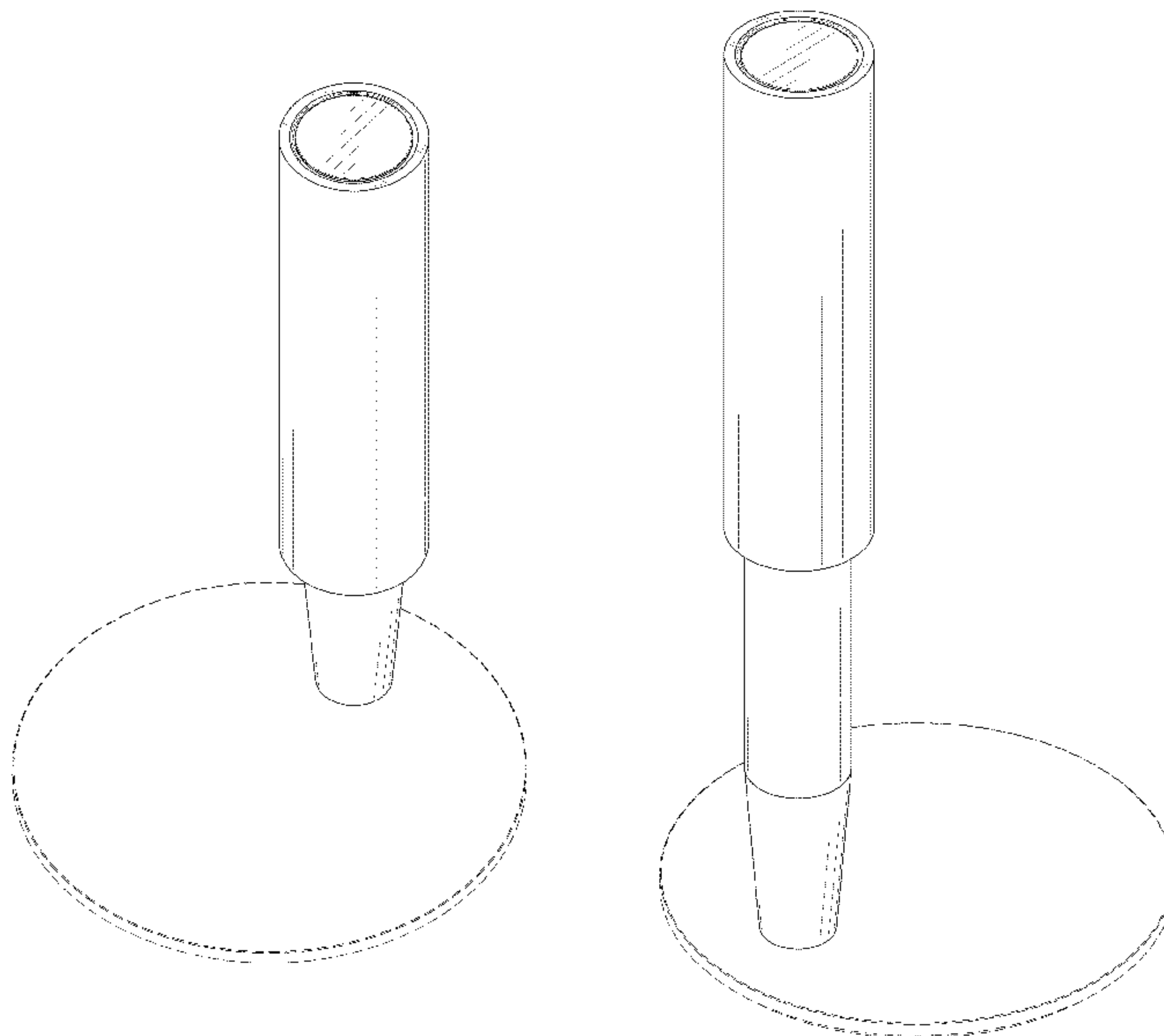
(57) **CLAIM**

The ornamental design for a base for a display, as shown and described.

DESCRIPTION

FIG. 1 is a perspective view of a base for a display showing my new design;
FIG. 2 is another perspective view thereof;
FIG. 3 is a front view thereof, the rear view being identical to the front view;
FIG. 4 is a left side view thereof, the right side view being a mirror image of the left side view;
FIG. 5 is a top view thereof;
FIG. 6 is a bottom view thereof;
FIG. 7 is a perspective view thereof showing the outer sleeve slid on the inner post;
FIG. 8 is a front view thereof showing the outer sleeve slid on the inner post; and,
FIG. 9 is a left side view thereof showing the outer sleeve slid on the inner post.
The broken line portions of the base for the display in all views represent unclaimed portions of the claimed design and form no part thereof.

1 Claim, 9 Drawing Sheets



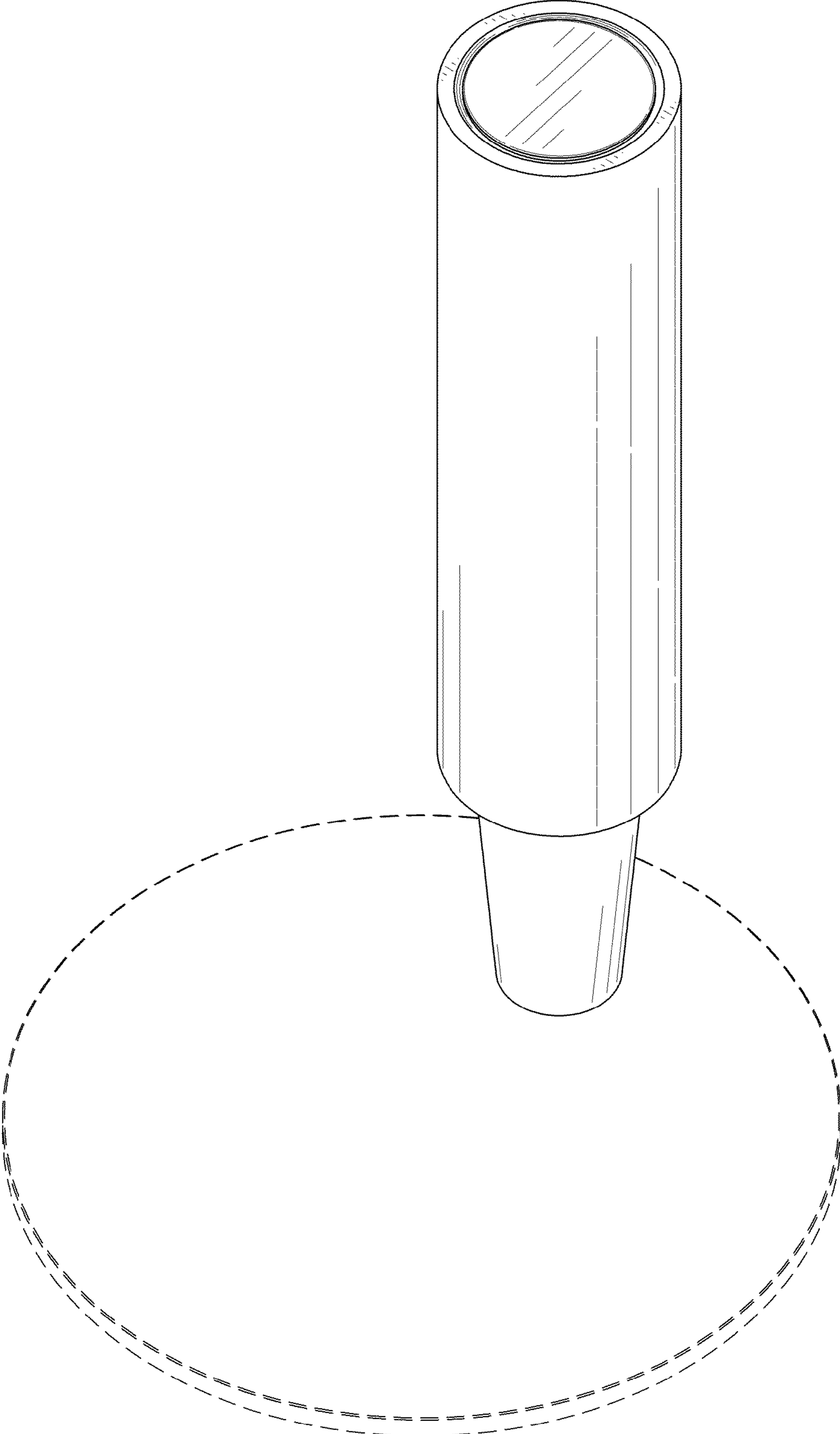


FIG. 1

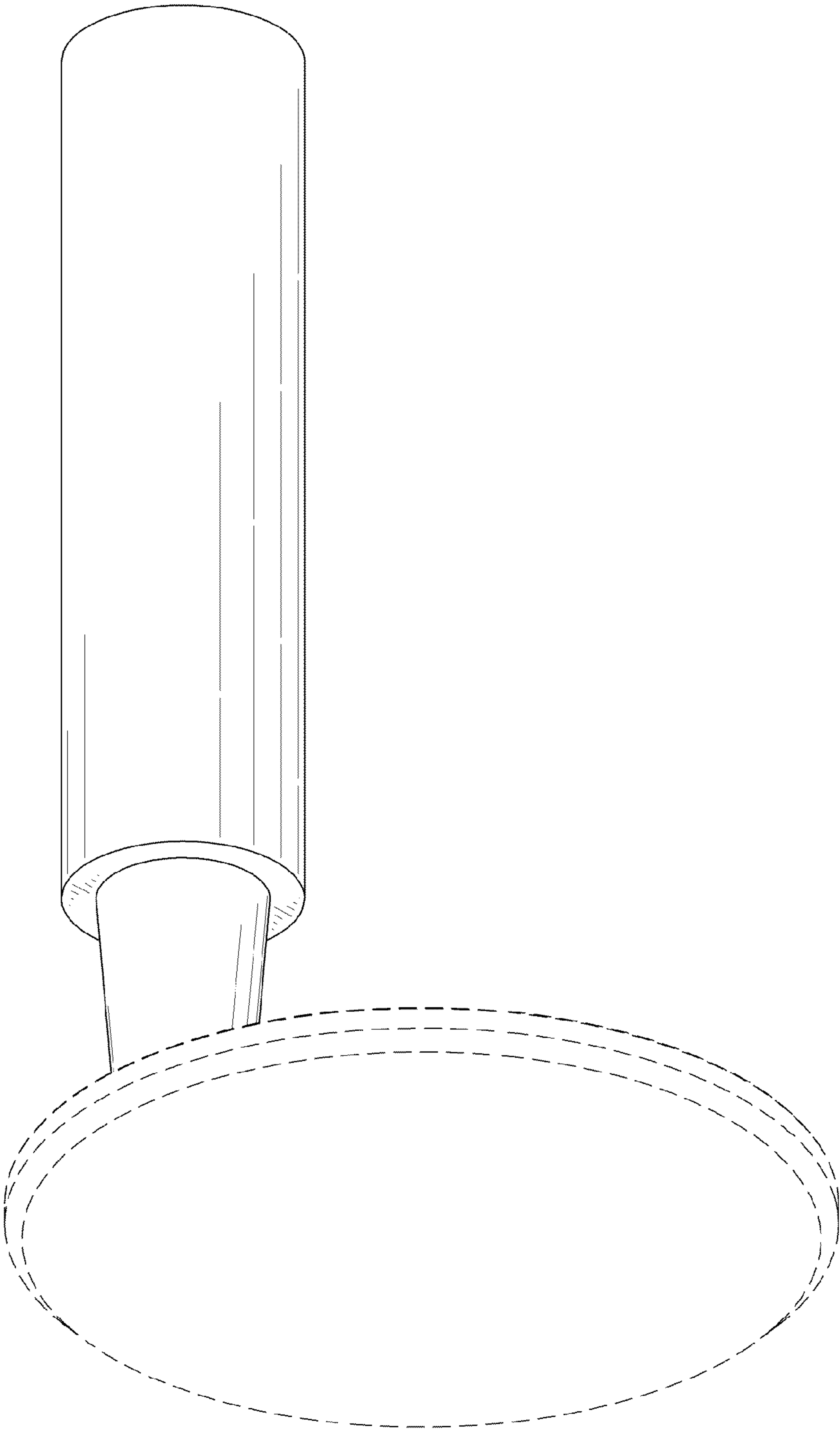


FIG. 2

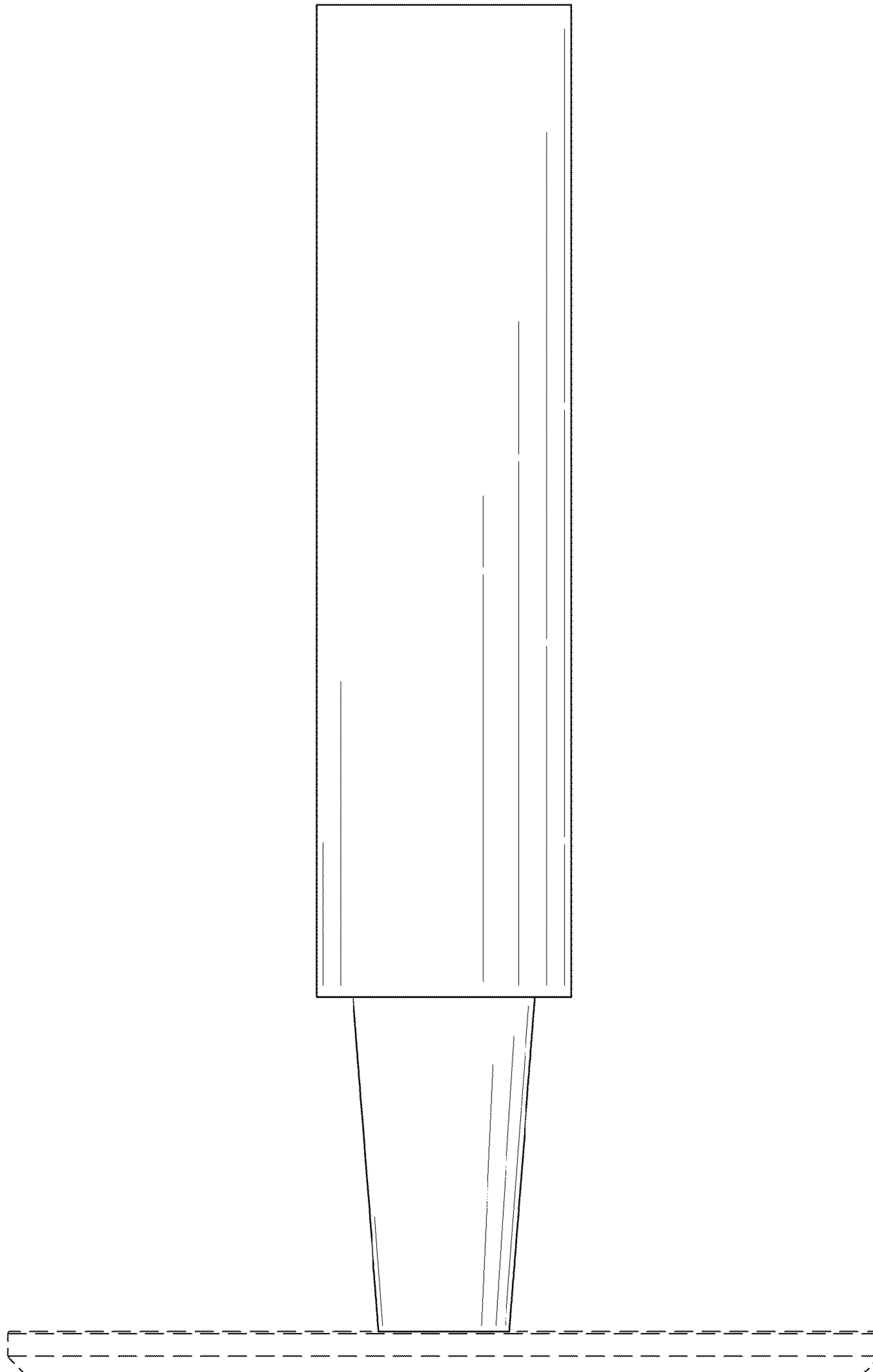


FIG. 3

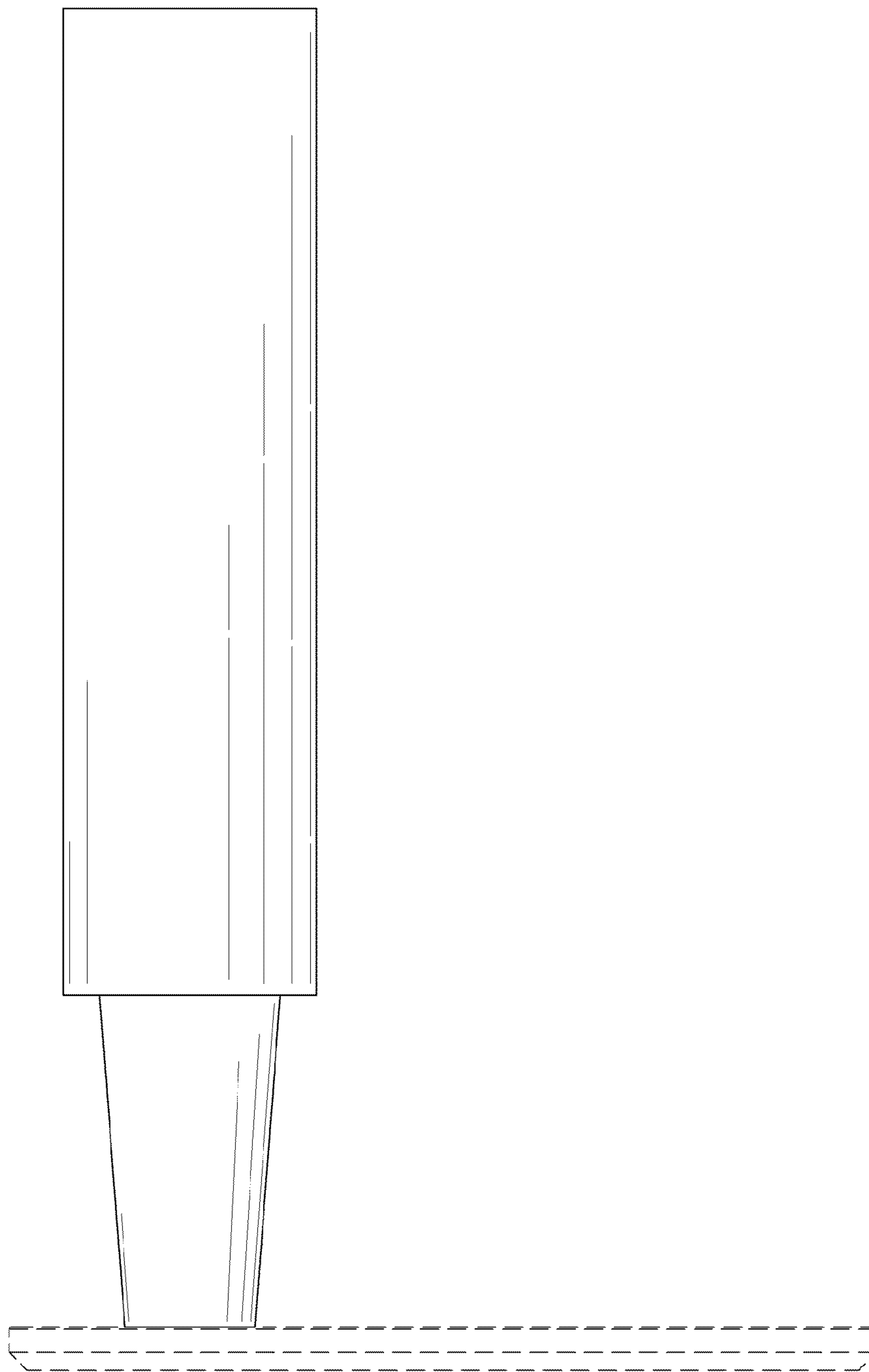


FIG. 4

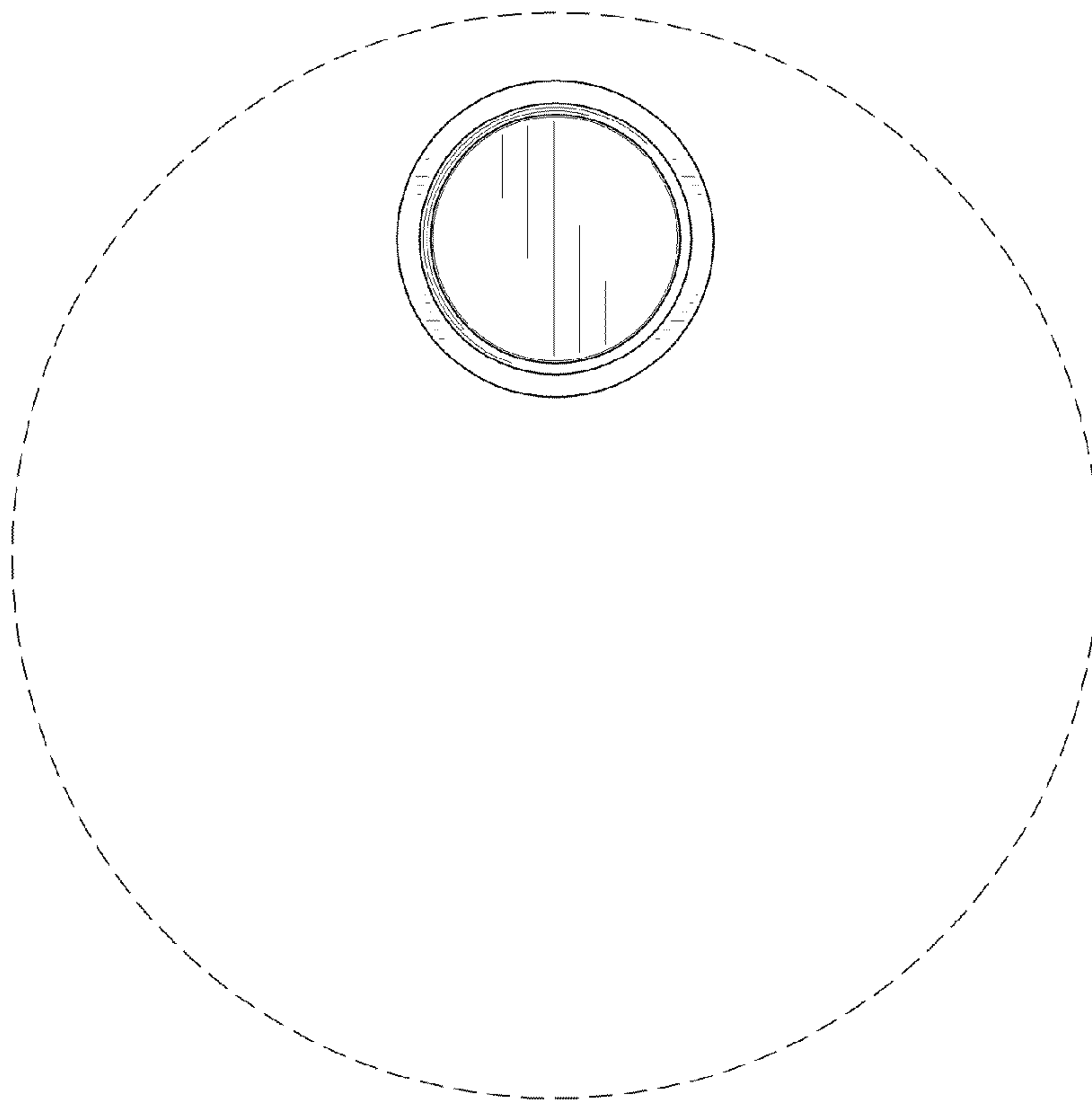


FIG. 5

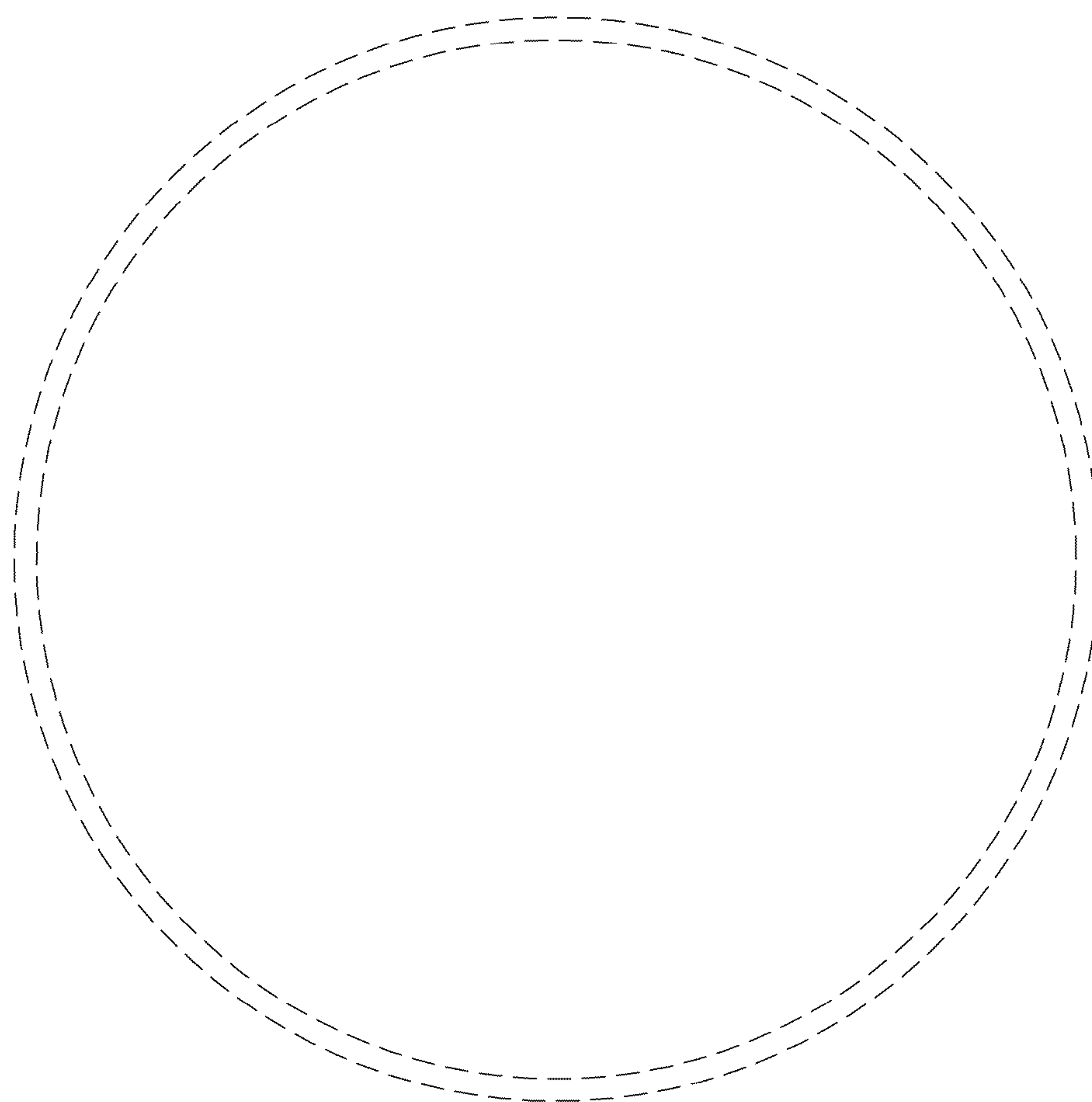


FIG. 6

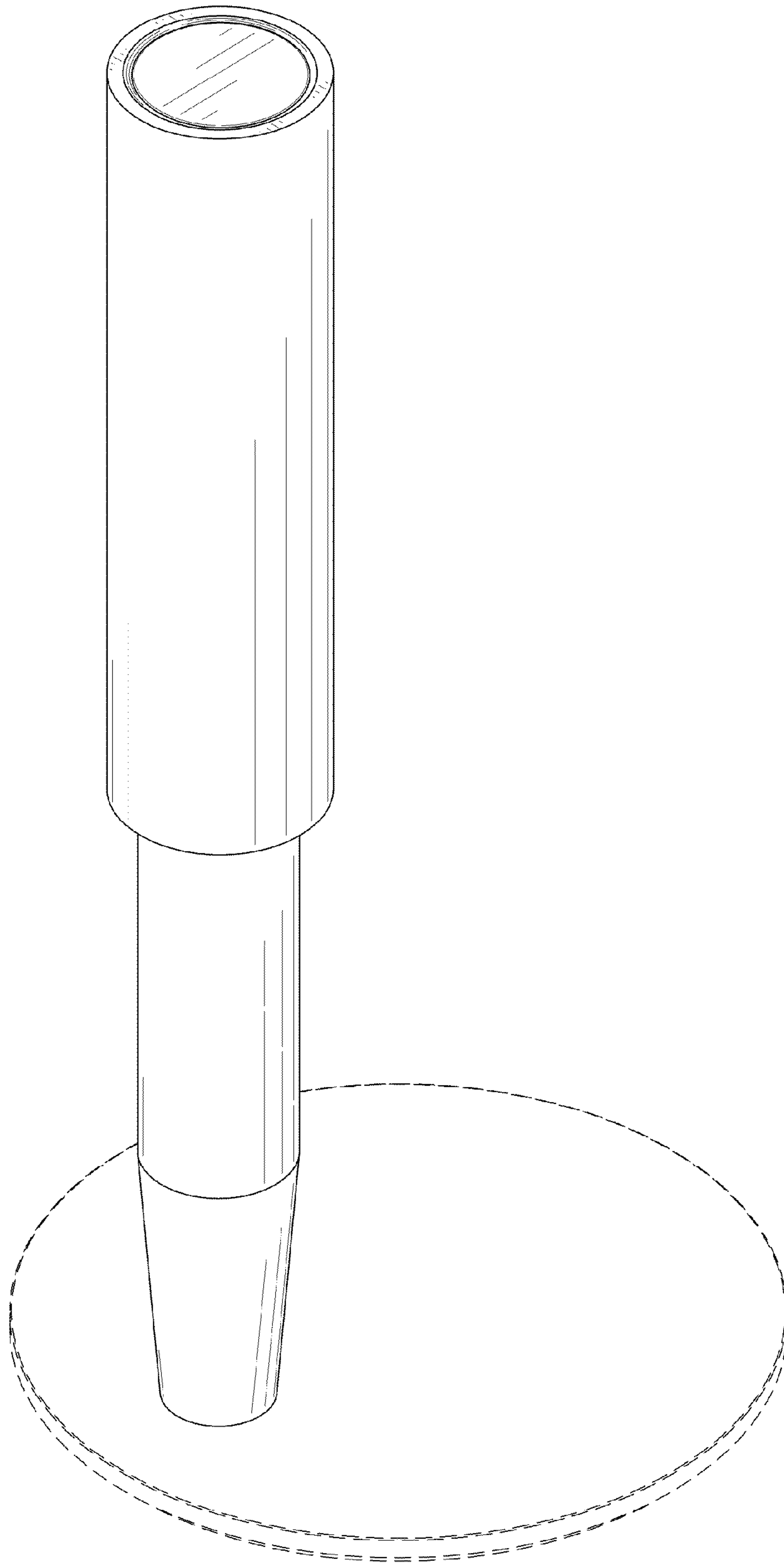


FIG. 7

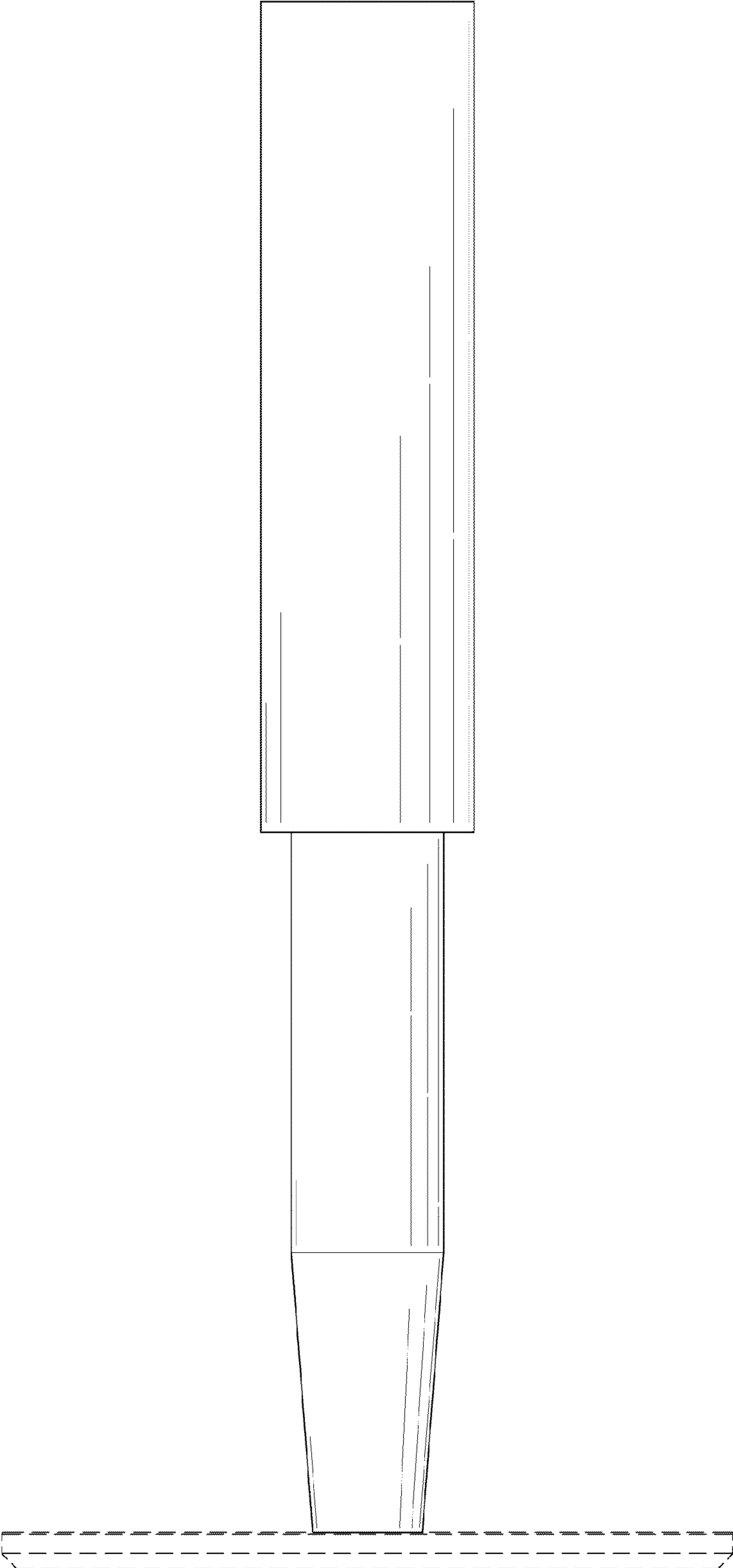


FIG. 8

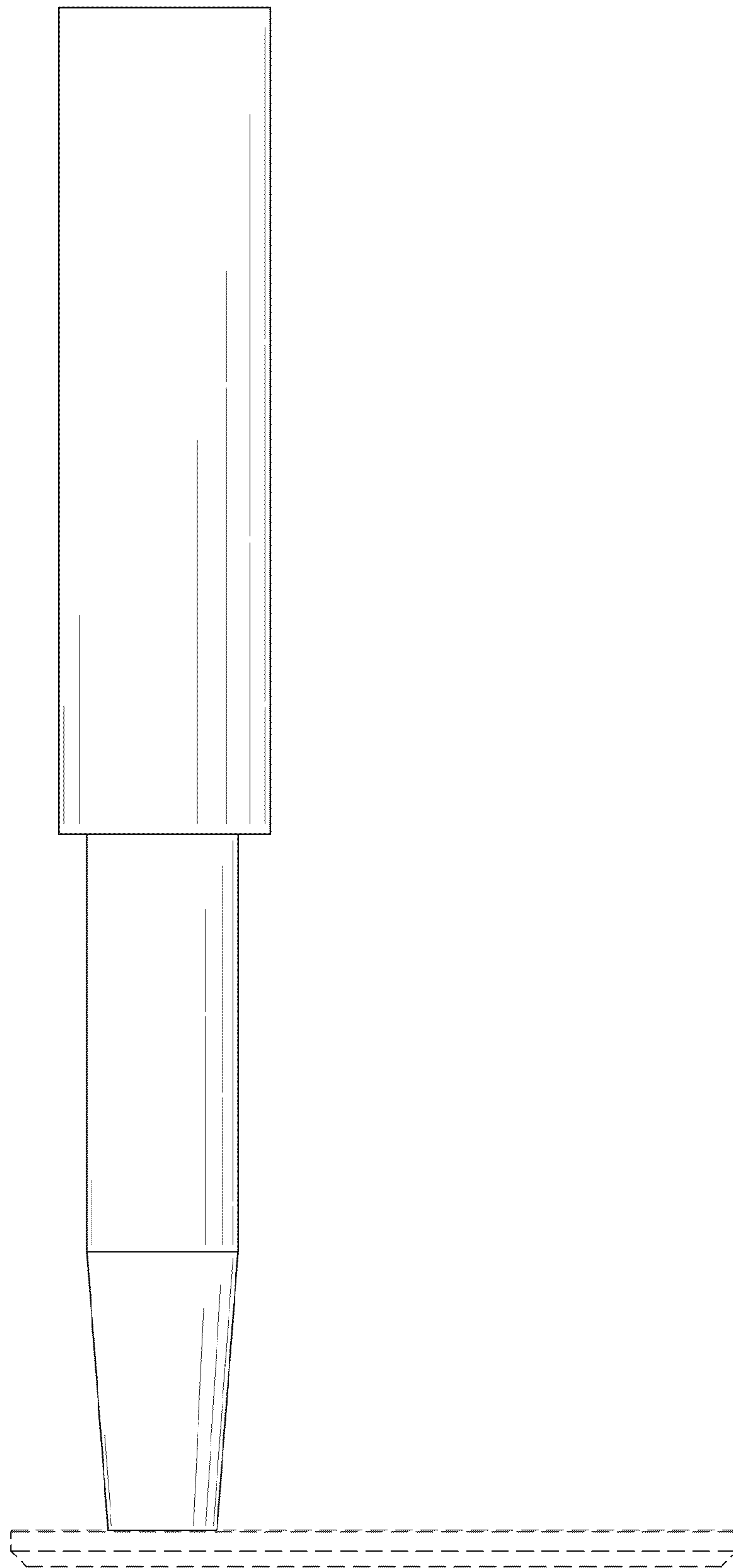


FIG. 9