



US00D704714S

(12) **United States Design Patent**
Christiano

(10) **Patent No.:** **US D704,714 S**

(45) **Date of Patent:** **** May 13, 2014**

(54) **TABLET COMPUTER STAND**

(71) Applicant: **Edward Christiano**, Clearwater, FL
(US)

(72) Inventor: **Edward Christiano**, Clearwater, FL
(US)

(**) Term: **14 Years**

(21) Appl. No.: **29/471,369**

(22) Filed: **Oct. 31, 2013**

(51) **LOC (10) Cl.** **08-07**

(52) **U.S. Cl.**
USPC **D14/447**

(58) **Field of Classification Search**
CPC A47B 2097/005; A47B 2097/006;
A47B 21/04; A47B 2021/00; A47B 23/00;
A47B 23/043; A47B 2021/0314; A47B
2021/0307; A47B 2023/005; A47B 2023/049;
F16M 13/00; F16M 2200/00; H04B 1/3888;
H04M 1/04; H04M 1/185; A45C 13/002;
A45C 2011/002; A45C 2011/003; A45C
2013/025
USPC D14/447, 432, 434, 439, 440, 451, 452,
D14/457, 460, 461, 238.1, 250, 251, 253;
D3/218; D6/406.3, 406.4, 406.5,
D6/406.6; 248/444, 441.1, 188.6,
248/917-924; 361/679.02, 679.03, 679.04,
361/679.09, 679.21, 679.26, 679.27, 679.3,
361/679.55, 679.56

See application file for complete search history.

(56) **References Cited**

U.S. PATENT DOCUMENTS

D264,412	S	*	5/1982	Vega	D6/310
4,726,556	A	*	2/1988	Weir	248/454
D361,217	S	*	8/1995	Glebe	D6/419
D398,458	S	*	9/1998	Martell	D6/420
D410,910	S	*	6/1999	Martell	D14/457
D491,001	S	*	6/2004	Adams et al.	D6/419
D562,572	S	*	2/2008	Nothel	D6/310
D596,187	S	*	7/2009	Martell	D14/447
D624,922	S	*	10/2010	Hui et al.	D14/447
D635,797	S	*	4/2011	Xingyin	D6/420
D671,110	S	*	11/2012	Choi	D14/253
2007/0120034	A1	*	5/2007	Sparling	248/458
2011/0147547	A1	*	6/2011	Fitzpatrick et al.	248/157

* cited by examiner

Primary Examiner — Angela J Lee

(74) *Attorney, Agent, or Firm* — Larson & Larson, P.A.;
Frank Liebenow; Justin P. Miller

(57) **CLAIM**

The ornamental design for a tablet computer stand, as shown and described.

DESCRIPTION

FIG. 1 is a front elevation view of the tablet computer stand showing my new design;
FIG. 2 is a rear elevation view thereof;
FIG. 3 is a left side elevation view thereof;
FIG. 4 is a right side elevation view thereof;
FIG. 5 is a top plan view thereof;
FIG. 6 is a bottom plan view thereof; and,
FIG. 7 is a perspective view thereof.

1 Claim, 5 Drawing Sheets

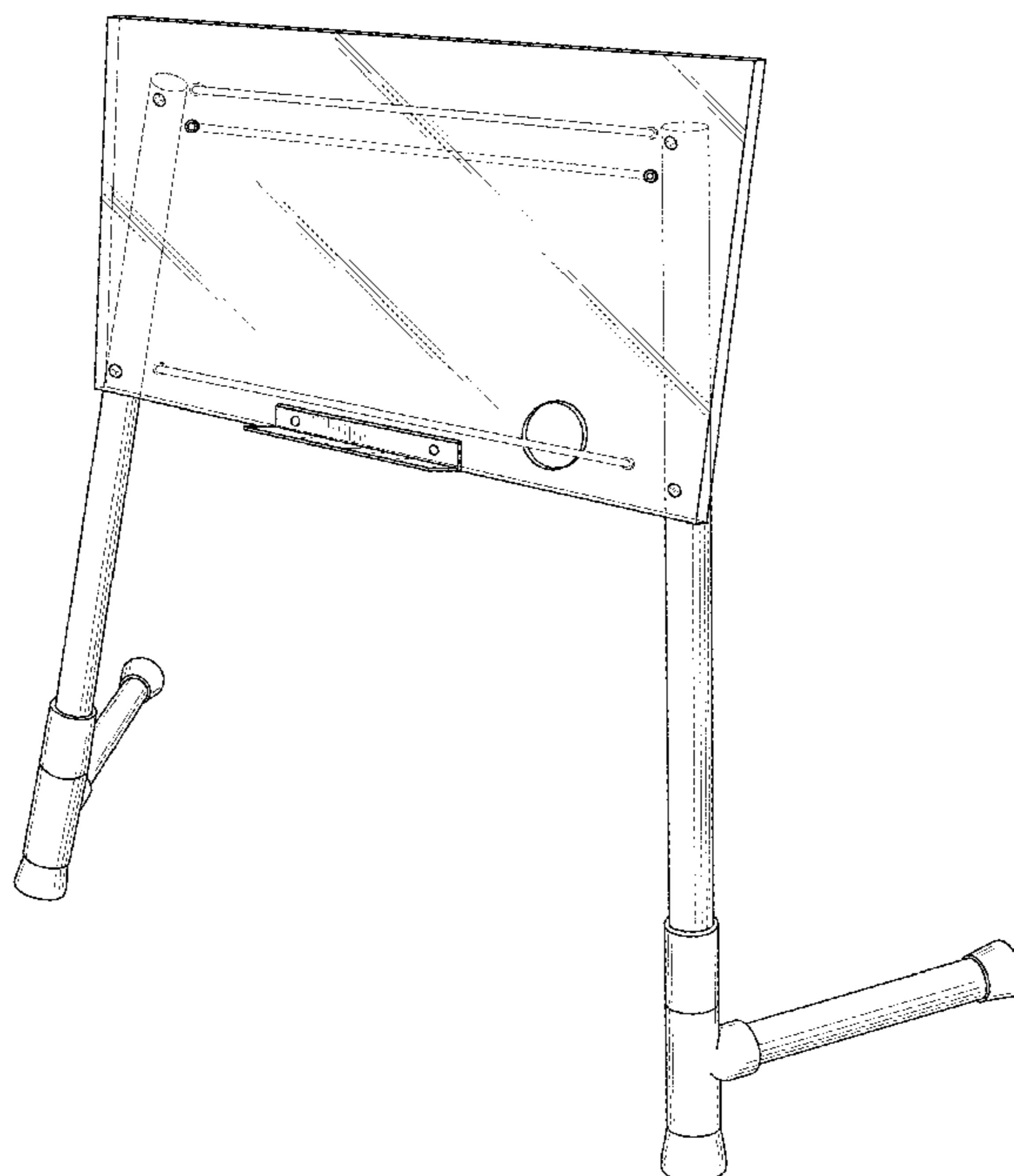


Fig. 1

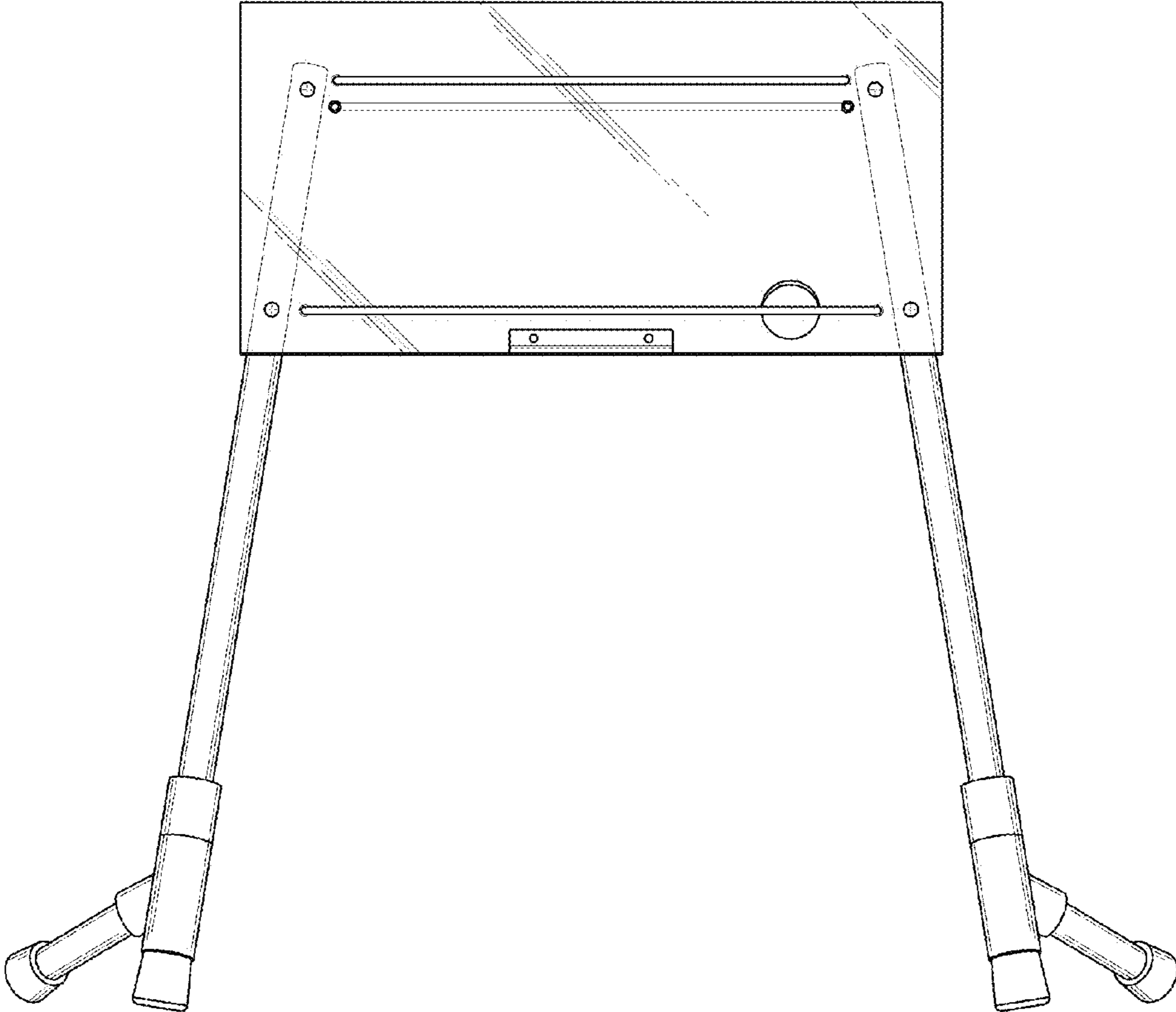
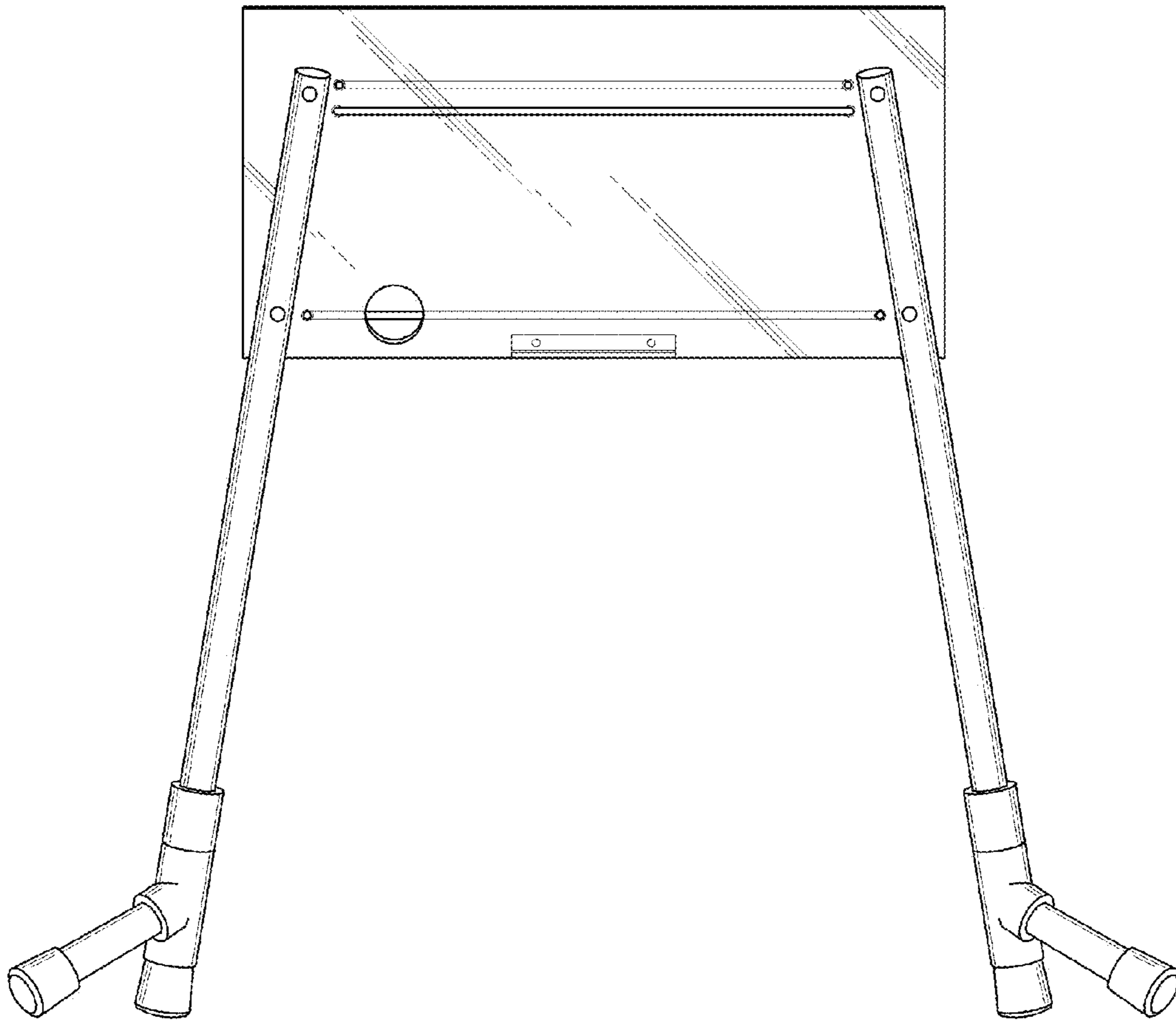


Fig. 2



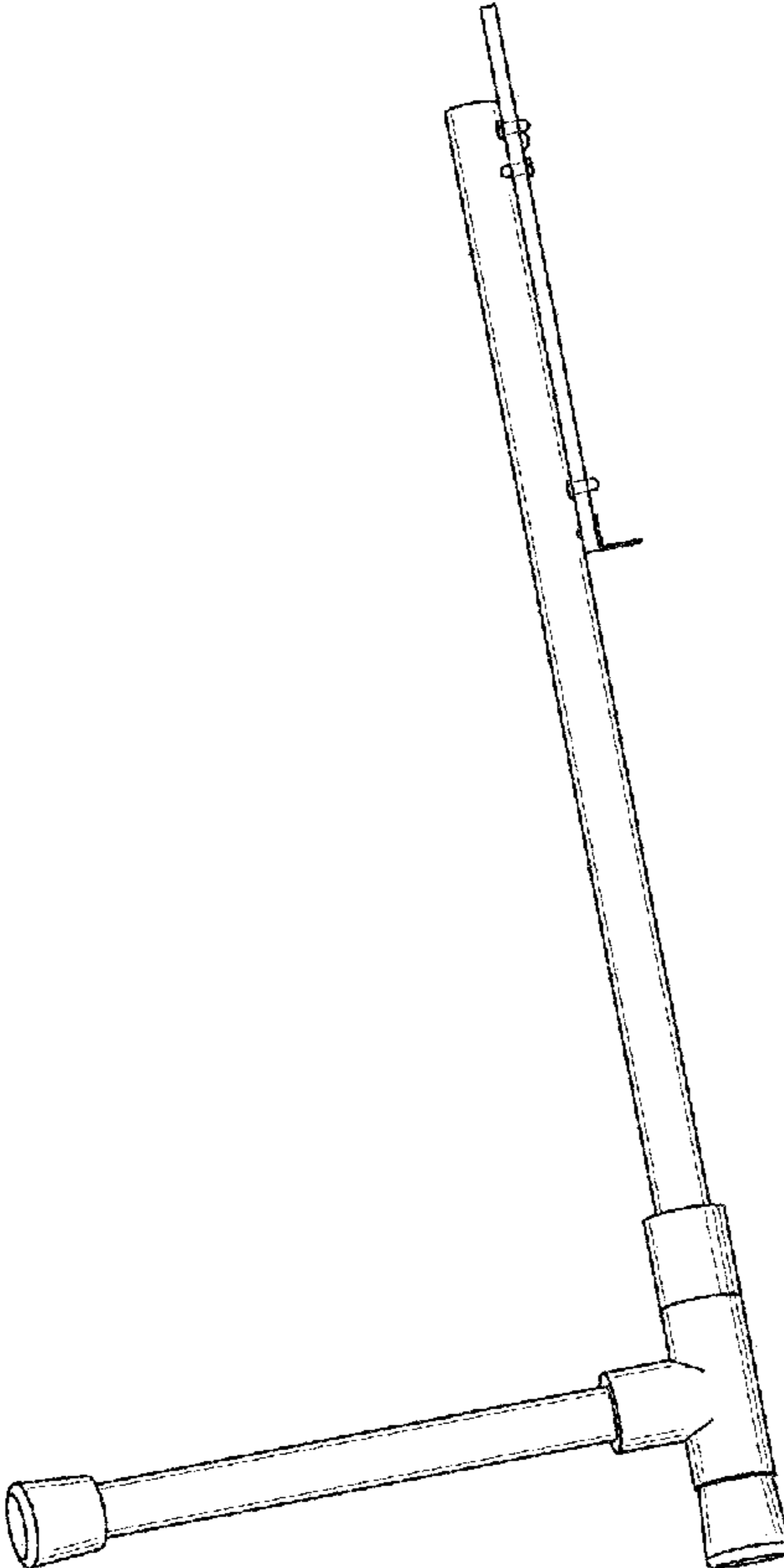


Fig. 3

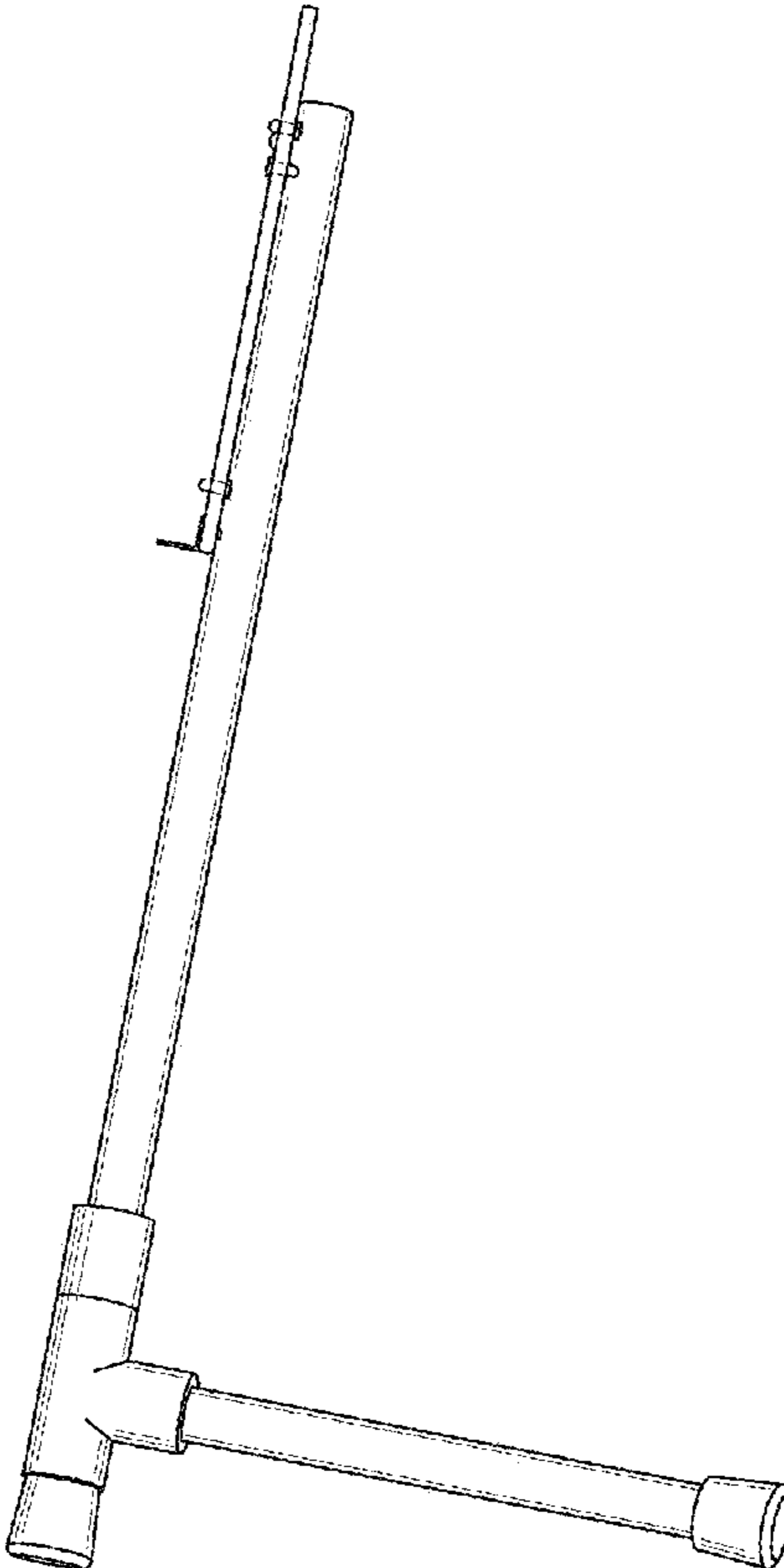


Fig. 4

Fig. 5

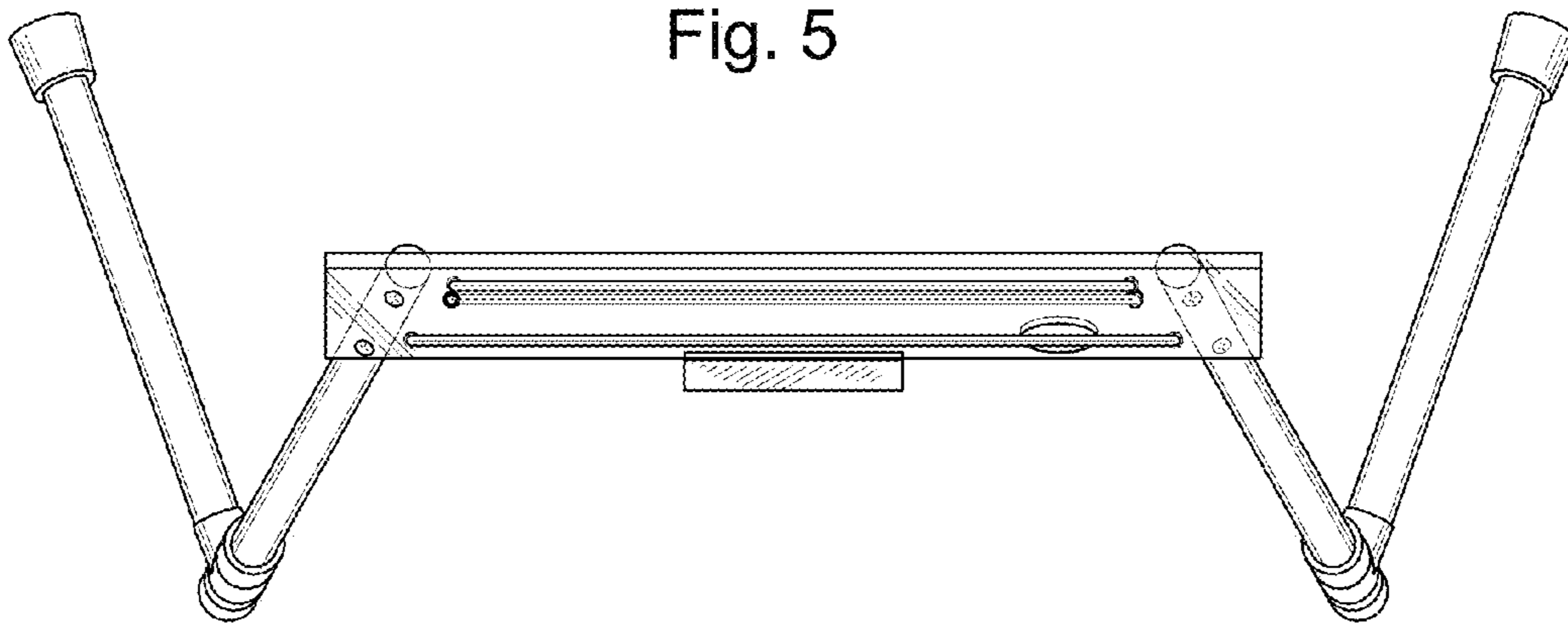


Fig. 6

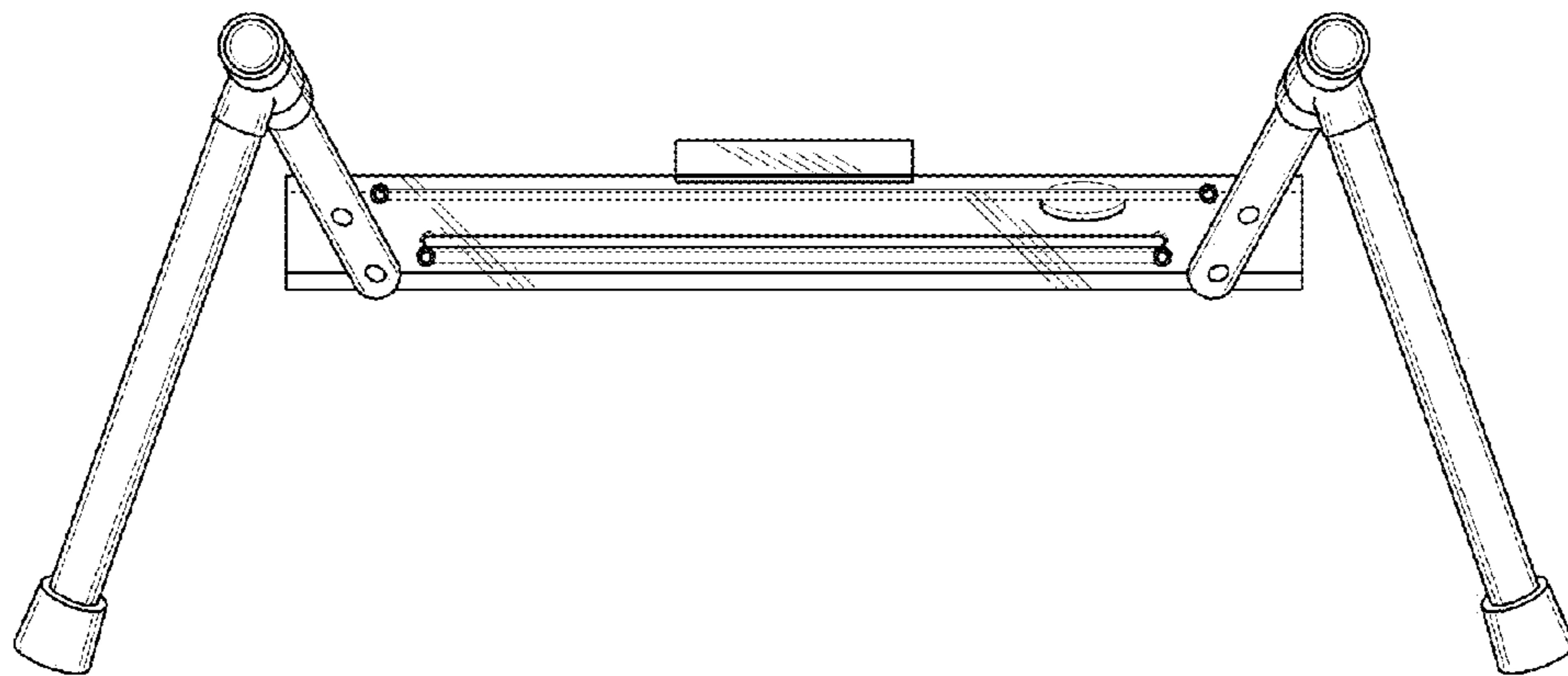


Fig. 7

