



US00D704713S

(12) **United States Design Patent**
Liniger

(10) **Patent No.:** **US D704,713 S**

(45) **Date of Patent:** **** May 13, 2014**

(54) **HANDHELD MOUNT FOR A MULTI-MEDIA DEVICE**

(71) Applicant: **Paul Liniger**, Portland, OR (US)

(72) Inventor: **Paul Liniger**, Portland, OR (US)

(**) Term: **14 Years**

(21) Appl. No.: **29/461,241**

(22) Filed: **Jul. 19, 2013**

(51) **LOC (10) Cl.** **08-07**

(52) **U.S. Cl.**
USPC **D14/447**

(58) **Field of Classification Search**
USPC D14/447, 432, 434, 439, 440, 451, 452,
D14/457, 460, 461, 238.1, 250, 251, 253;
D3/218; D6/406.3, 406.4, 406.5,
D6/406.6; 248/444, 441.1, 188.6,
248/917-924; 361/679.02, 679.03, 679.04,
361/679.09, 679.21, 679.26, 679.27, 679.3,
361/679.55, 679.56

See application file for complete search history.

(56) **References Cited**

U.S. PATENT DOCUMENTS

D309,307 S *	7/1990	Sigurdson	D14/251
D332,789 S *	1/1993	Rak	D14/251
D337,333 S *	7/1993	Turk	D14/251
D533,174 S *	12/2006	Richter	D14/251
D567,810 S *	4/2008	Yeh	D14/253
D619,586 S *	7/2010	Richter	D14/447

D626,541 S *	11/2010	Kim et al.	D14/253
8,087,625 B2 *	1/2012	Chang	248/205.5
D654,120 S *	2/2012	Lin	D21/333
D657,783 S *	4/2012	Mo	D14/251
D696,674 S *	12/2013	Vogel	D14/447
2010/0320341 A1 *	12/2010	Baumann et al.	248/206.2
2012/0131826 A1 *	5/2012	Dai	40/597

* cited by examiner

Primary Examiner — Angela J Lee

(74) *Attorney, Agent, or Firm* — Mark S. Hubert

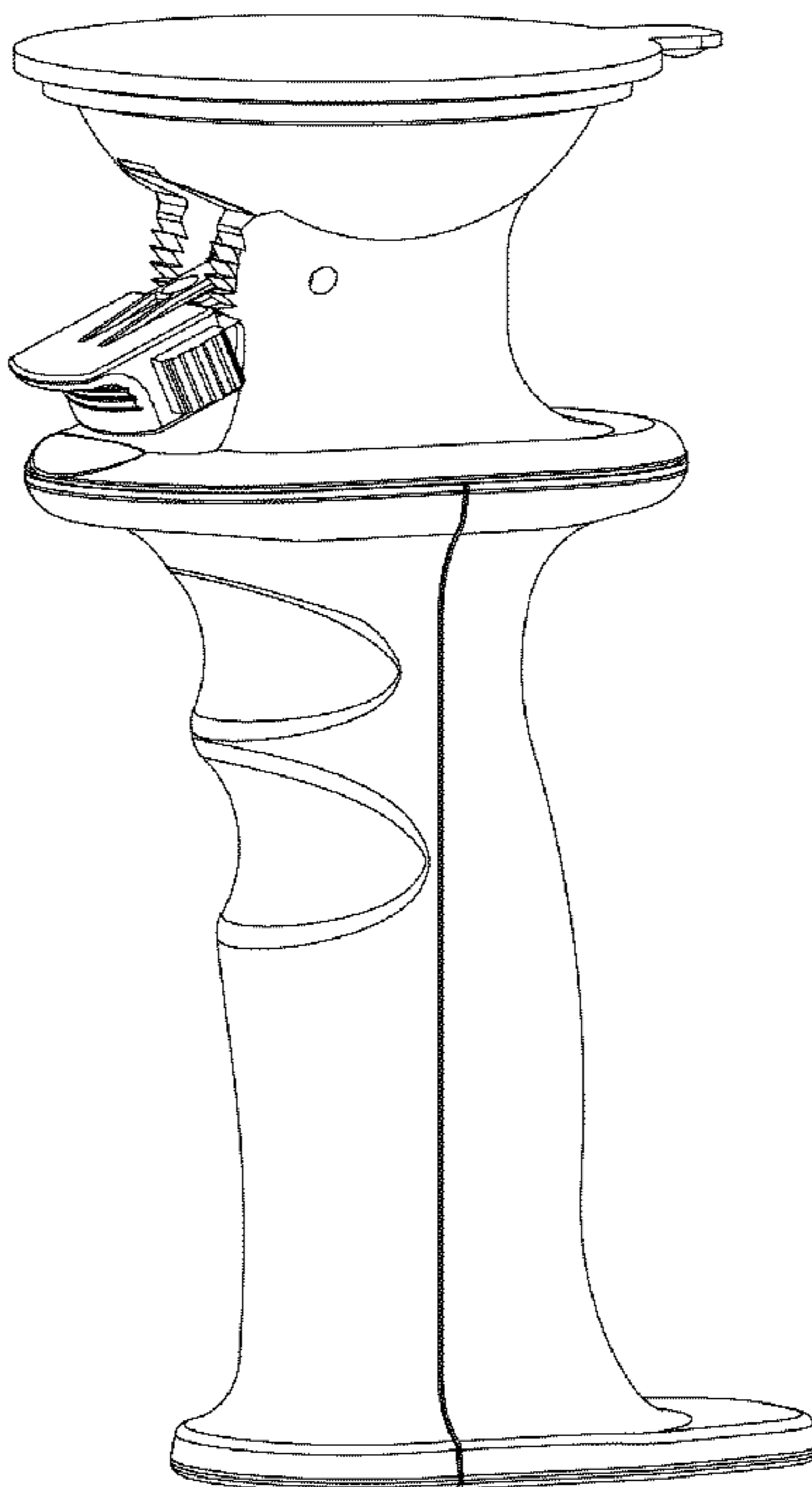
(57) **CLAIM**

I claim the ornamental design for the handheld mount for a multi-media device, as shown and described.

DESCRIPTION

FIG. 1 is a perspective view of the handheld mount for a multi-media device showing my new design;
FIG. 2 is a top view of the handheld mount for a multi-media device;
FIG. 3 is a bottom view of the handheld mount for a multi-media device;
FIG. 4 is a left-side view of the handheld mount for a multi-media device;
FIG. 5 is a front view of the handheld mount for a multi-media device;
FIG. 6 is a right-side view of the handheld mount for a multi-media device; and,
FIG. 7 is a rear view of the handheld mount for a multi-media device.

1 Claim, 6 Drawing Sheets



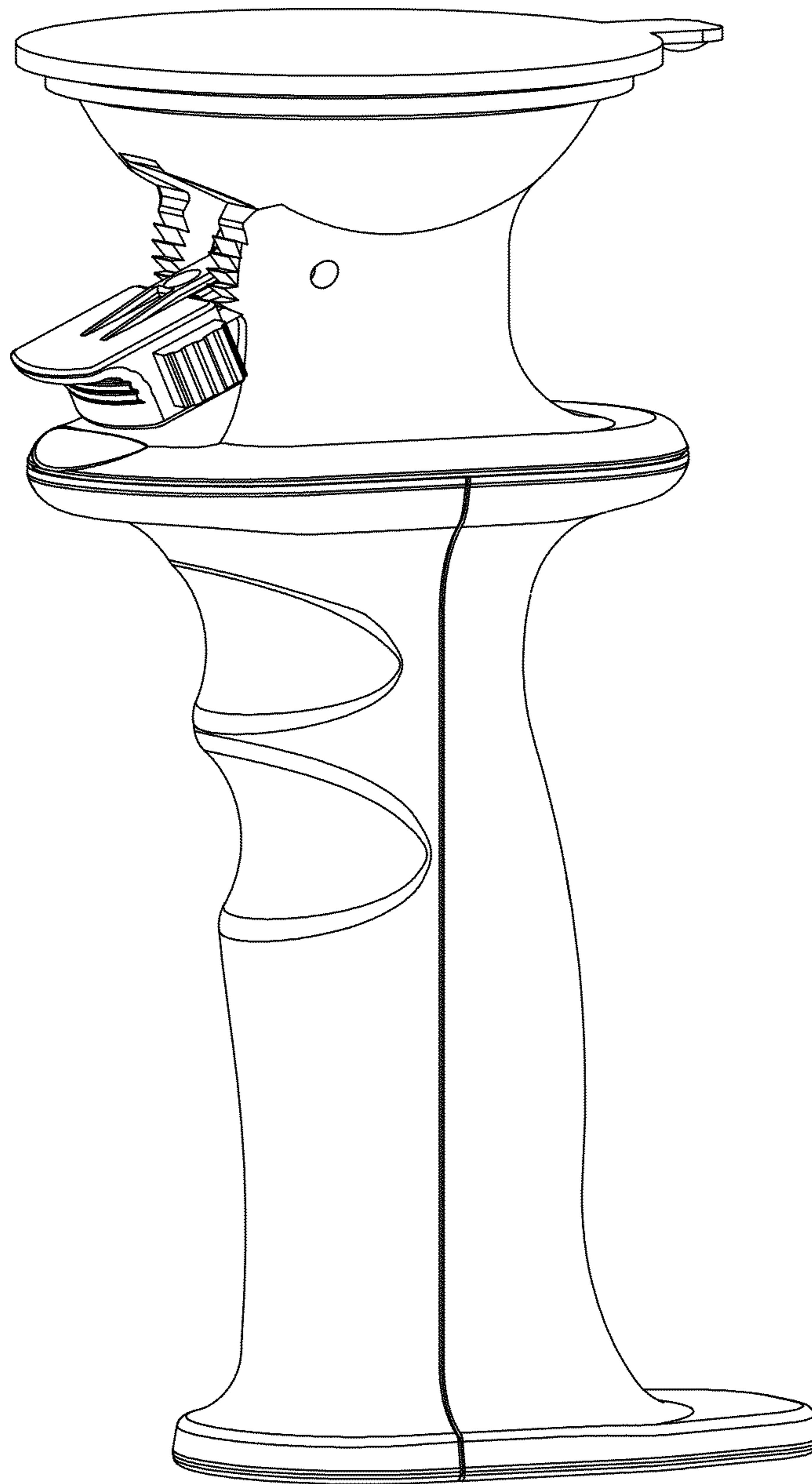


FIG. 1

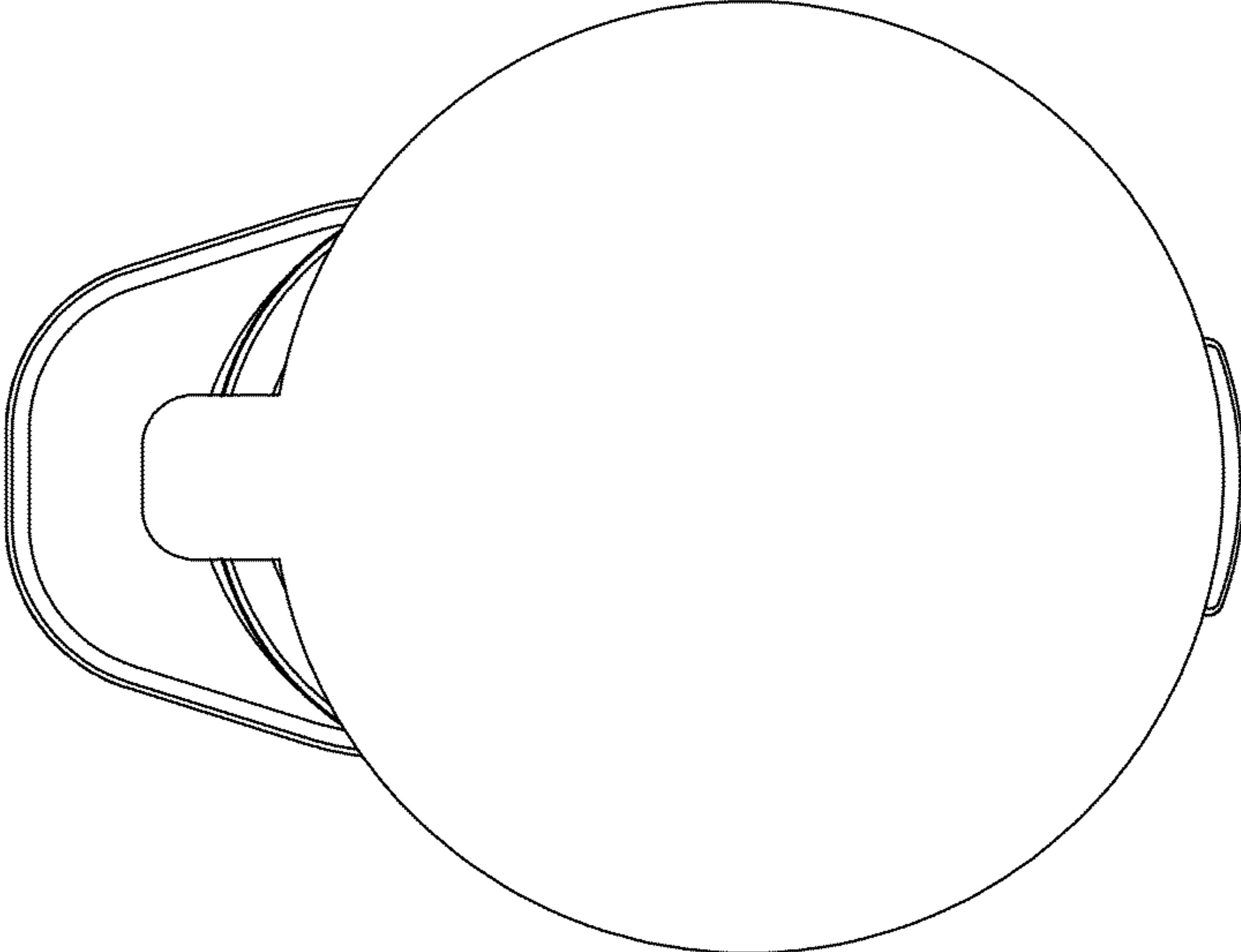


FIG. 2

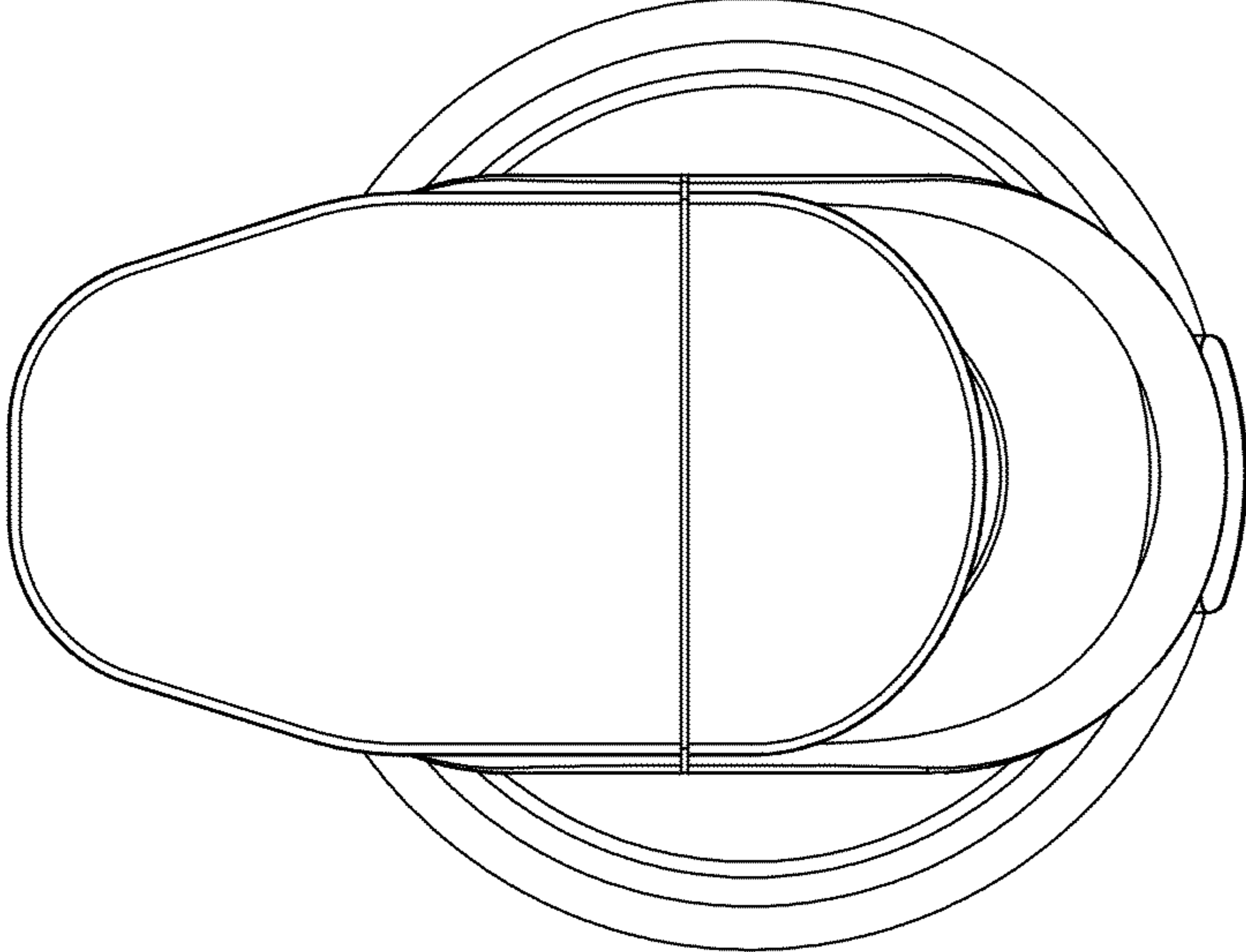


FIG. 3

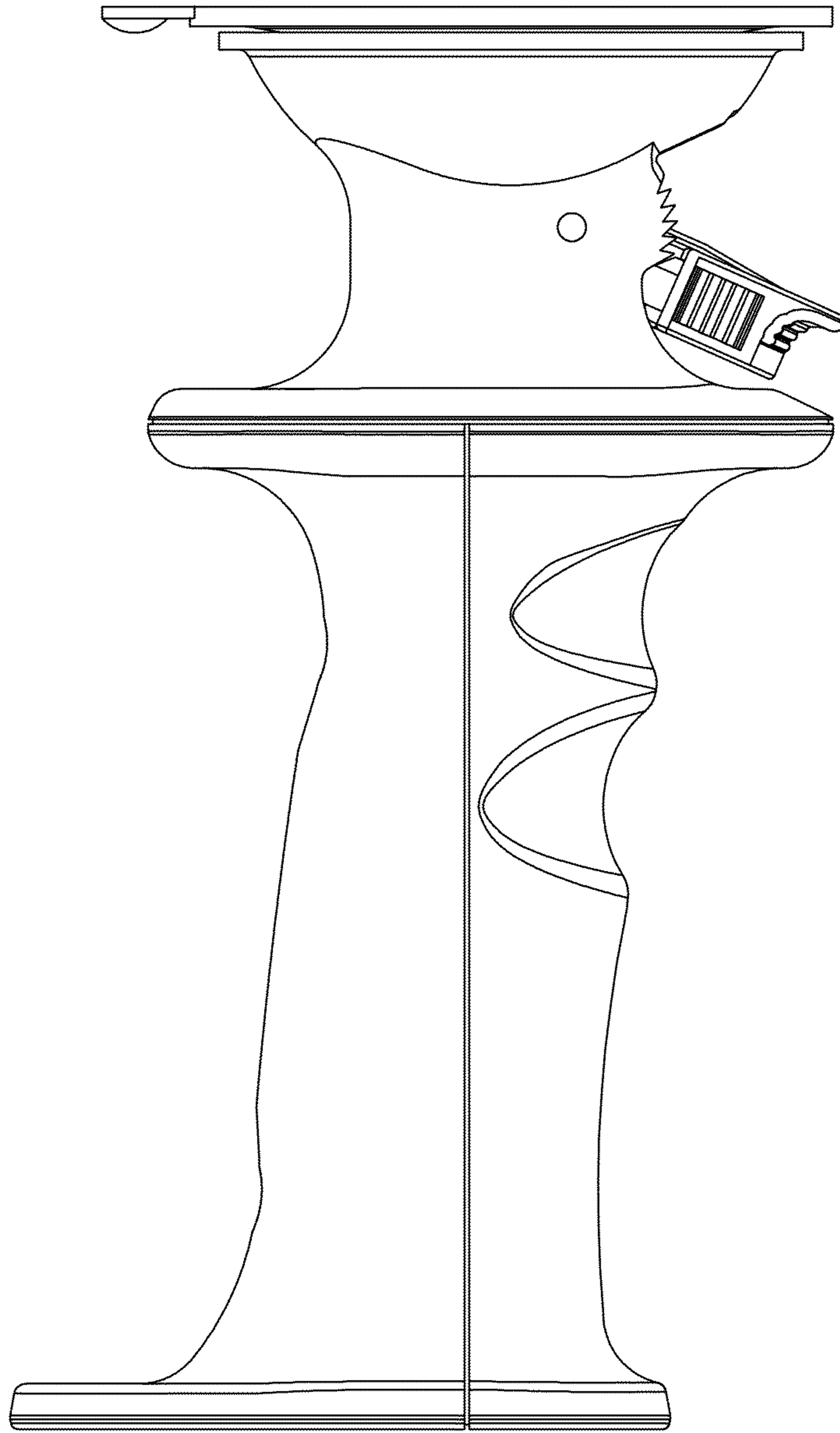


FIG. 4

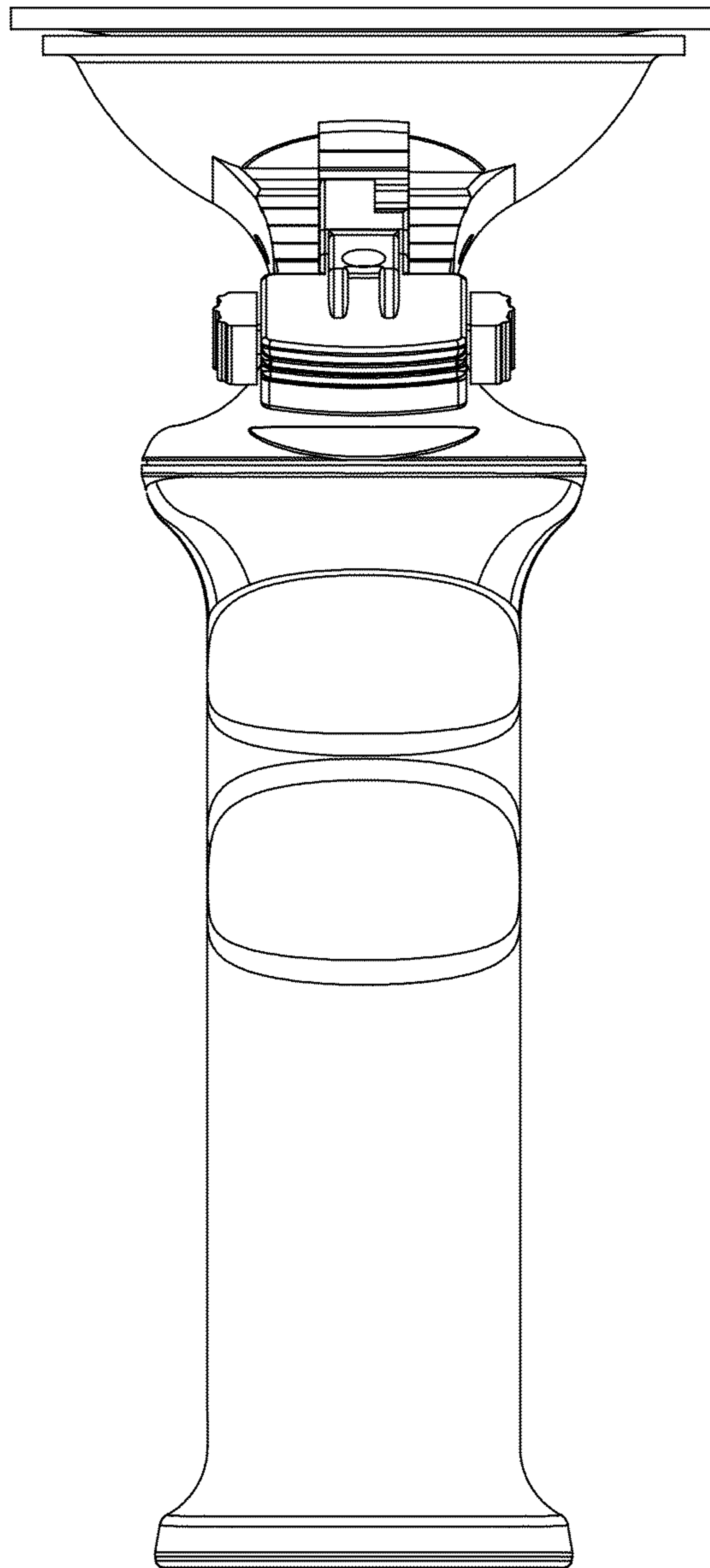


FIG. 5

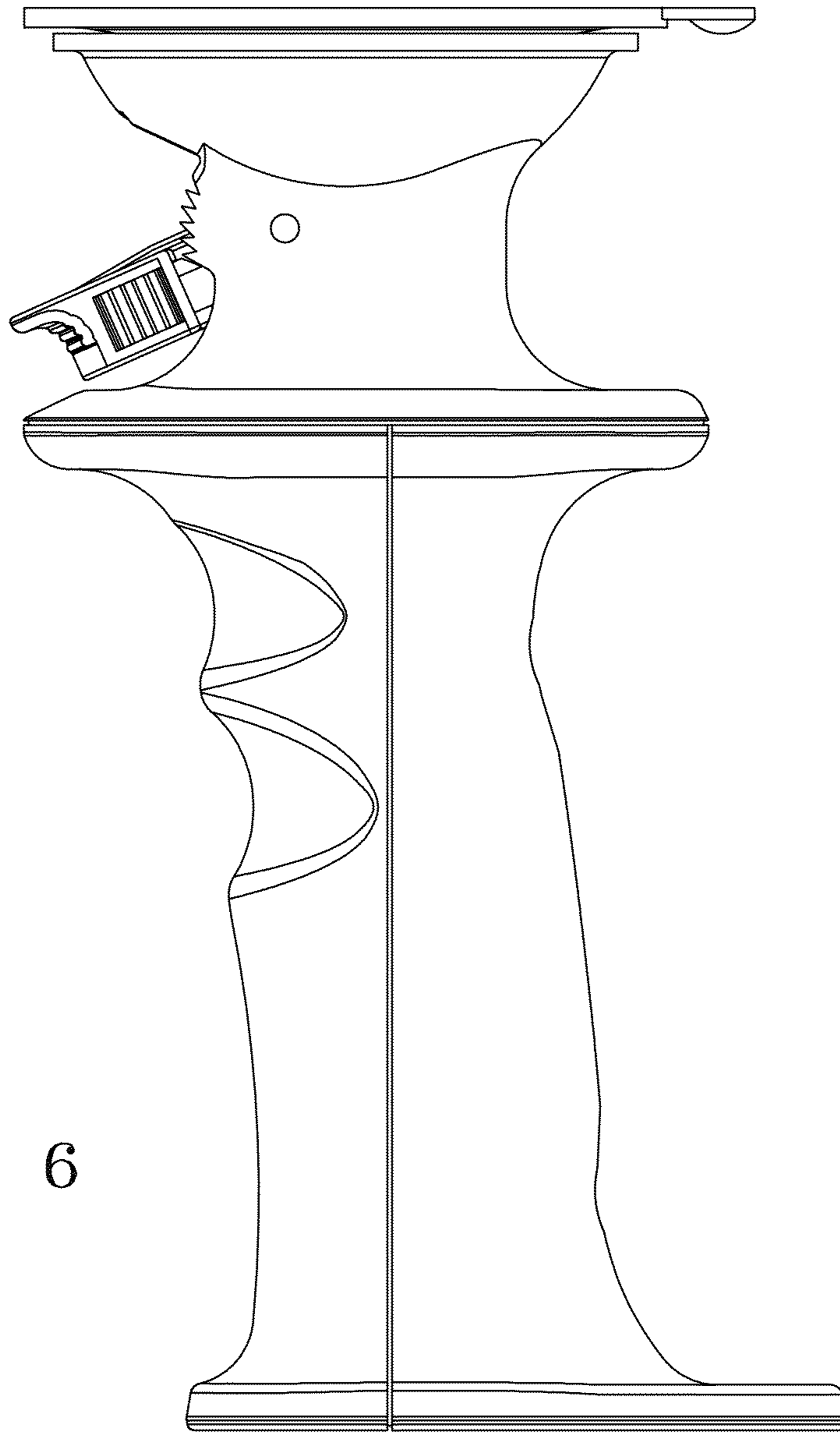


FIG. 6

FIG. 7

