



US00D704709S

(12) **United States Design Patent**  
**Bussoli**

(10) **Patent No.:** **US D704,709 S**

(45) **Date of Patent:** **\*\* May 13, 2014**

(54) **DIGITAL DISPLAY**

(75) **Inventor:** **Jon-Paul Bussoli, Calgary (CA)**

(73) **Assignee:** **Carmanah Signs Inc. (CA)**

(\*\*) **Term:** **14 Years**

(21) **Appl. No.:** **29/431,092**

(22) **Filed:** **Sep. 4, 2012**

(51) **LOC (10) Cl.** ..... **14-02**

(52) **U.S. Cl.**

USPC ..... **D14/375; D14/128**

(58) **Field of Classification Search**

USPC ..... D14/371-376, 125-129, 336, 337;  
D6/308, 311; 345/104, 156, 173, 174,  
345/901-905; 348/180, 184, 325, 739;  
361/679.08, 679.23; 248/917-924,  
248/121, 122.1, 278.1

See application file for complete search history.

(56) **References Cited**

**U.S. PATENT DOCUMENTS**

D305,647 S \* 1/1990 Kato et al. .... D14/374  
D417,692 S \* 12/1999 Mizusugi et al. .... D18/12.3  
D425,036 S \* 5/2000 Copus et al. .... D14/375

D455,131 S \* 4/2002 Reynaga et al. .... D14/126  
6,837,469 B2 \* 1/2005 Wu et al. .... 248/278.1  
D545,776 S \* 7/2007 Kwon ..... D14/126  
7,607,620 B2 \* 10/2009 Ozolins et al. .... 248/122.1  
D671,545 S \* 11/2012 Guran ..... D14/447  
2002/0011544 A1 \* 1/2002 Bosson ..... 248/121  
2003/0058372 A1 \* 3/2003 Williams et al. .... 348/836

\* cited by examiner

*Primary Examiner* — Freda S Nunn

(74) *Attorney, Agent, or Firm* — Hickman Palermo Truong  
Becker Bingham Wong LLP

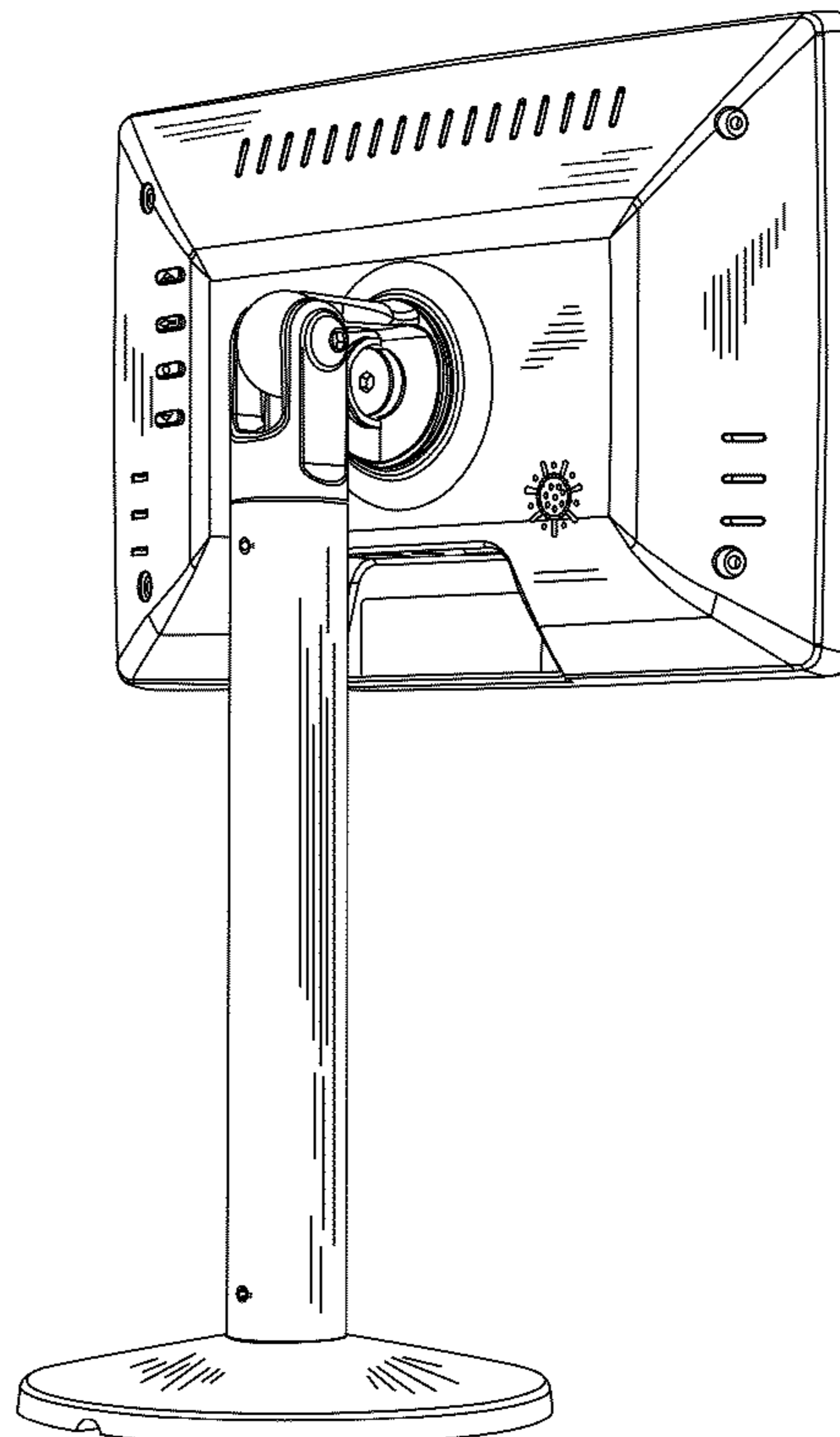
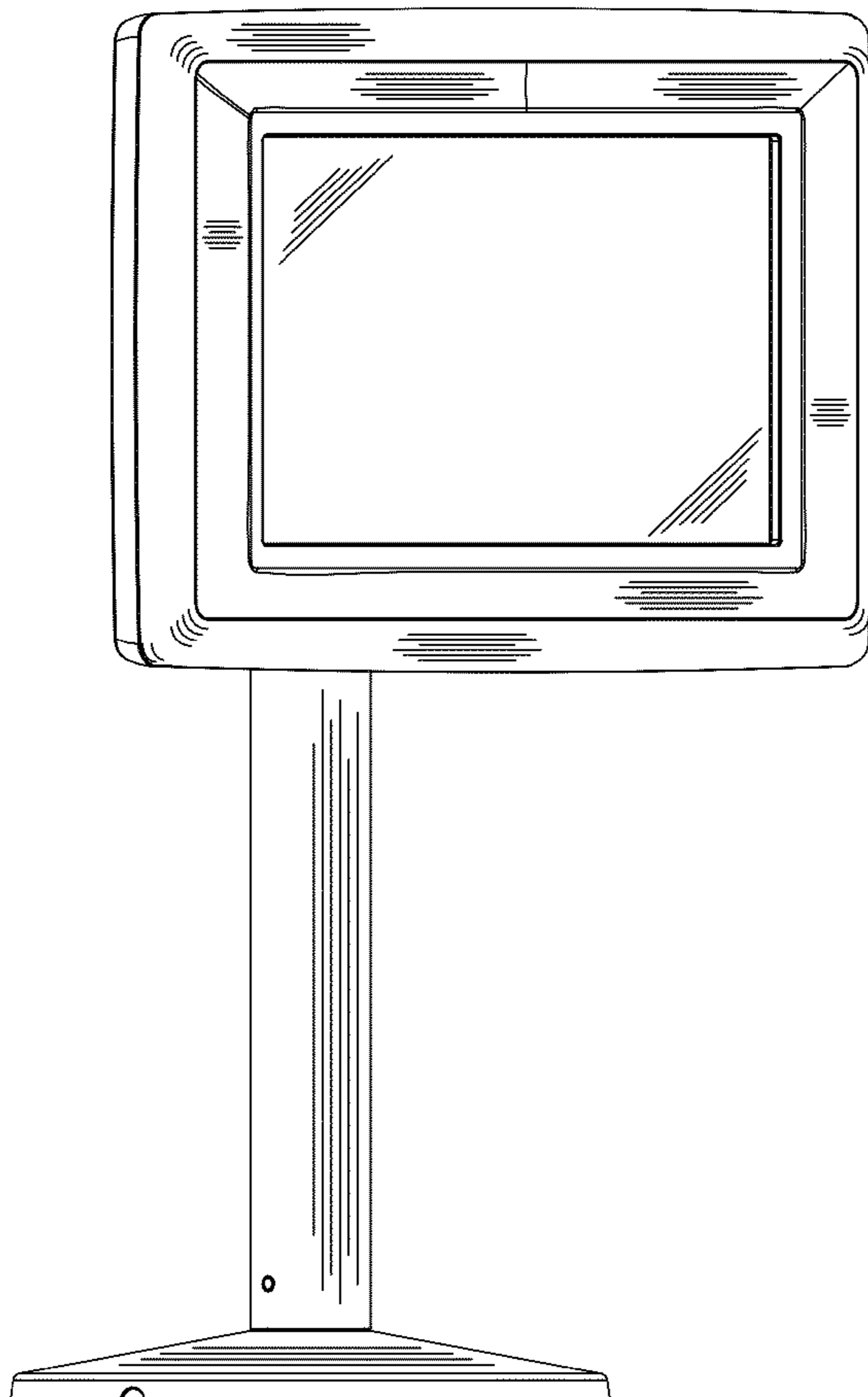
(57) **CLAIM**

The ornamental design for a digital display, as shown and described.

**DESCRIPTION**

FIG. 1 is a front perspective view of an ornamental design for a digital display according to the invention.  
FIG. 2 is a rear perspective view thereof;  
FIG. 3 is a front view thereof;  
FIG. 4 is a rear view thereof;  
FIG. 5 is a right side view thereof;  
FIG. 6 is a left side view thereof;  
FIG. 7 is a top view thereof; and,  
FIG. 8 is a bottom view thereof.

**1 Claim, 8 Drawing Sheets**



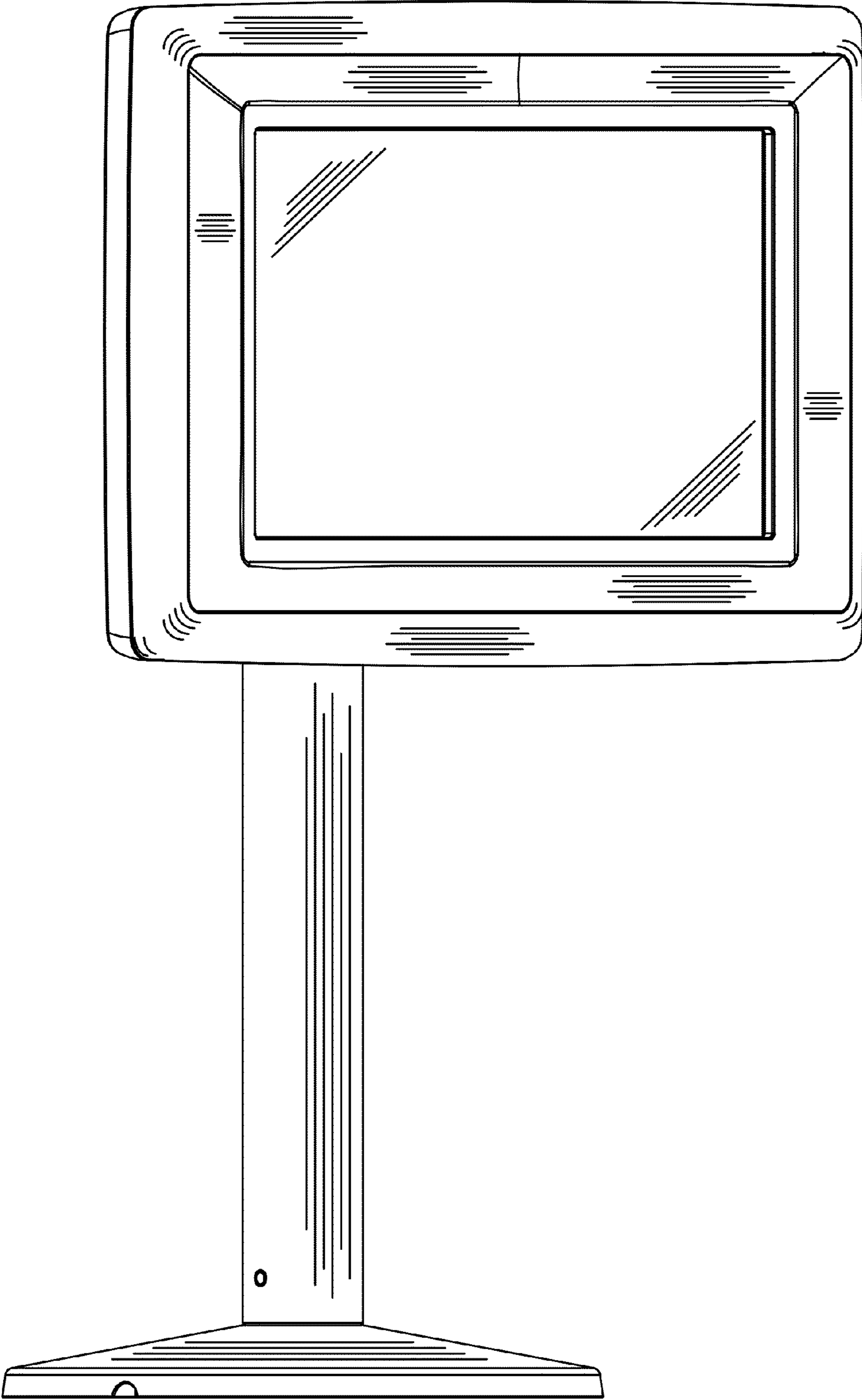


Fig. 1

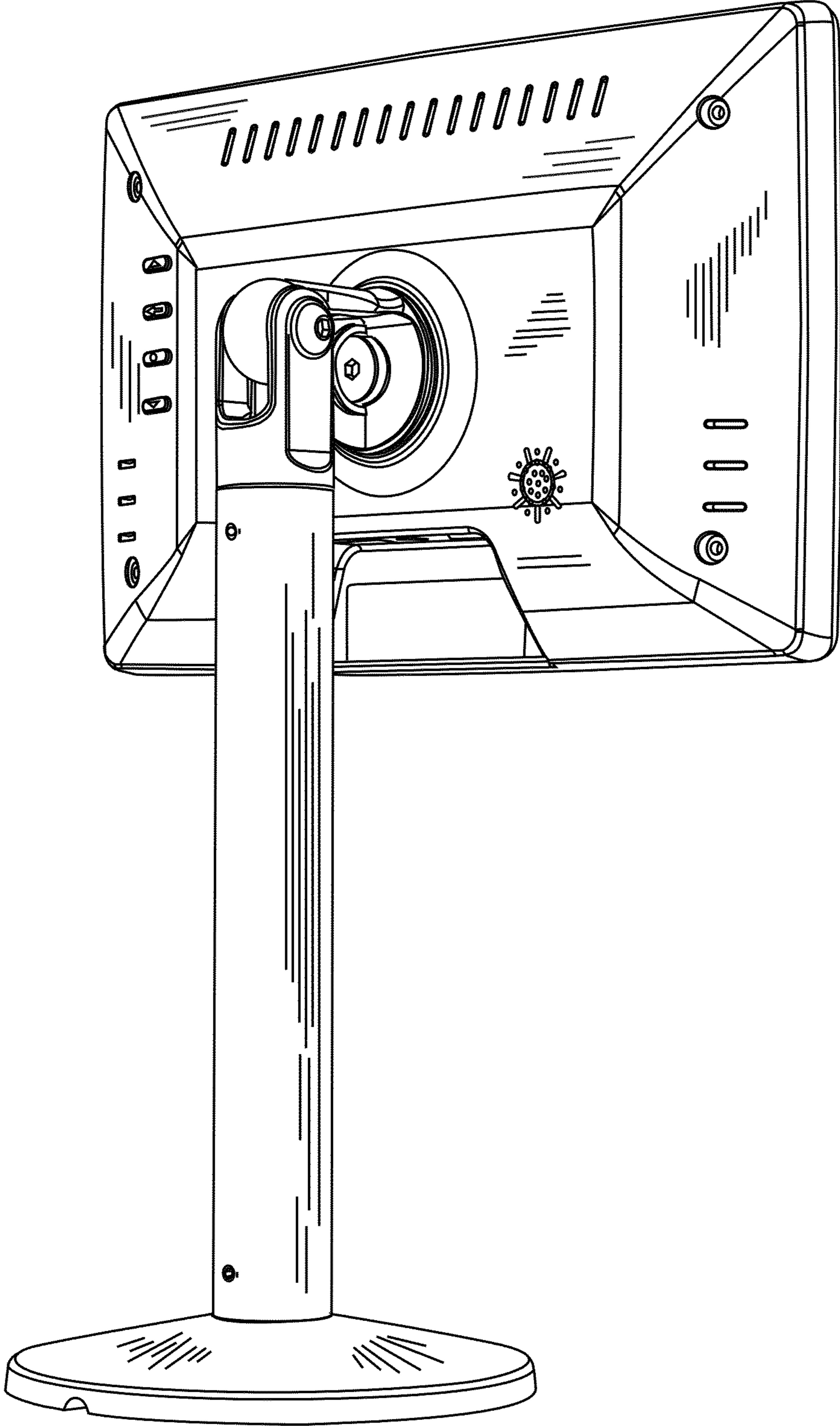


Fig. 2

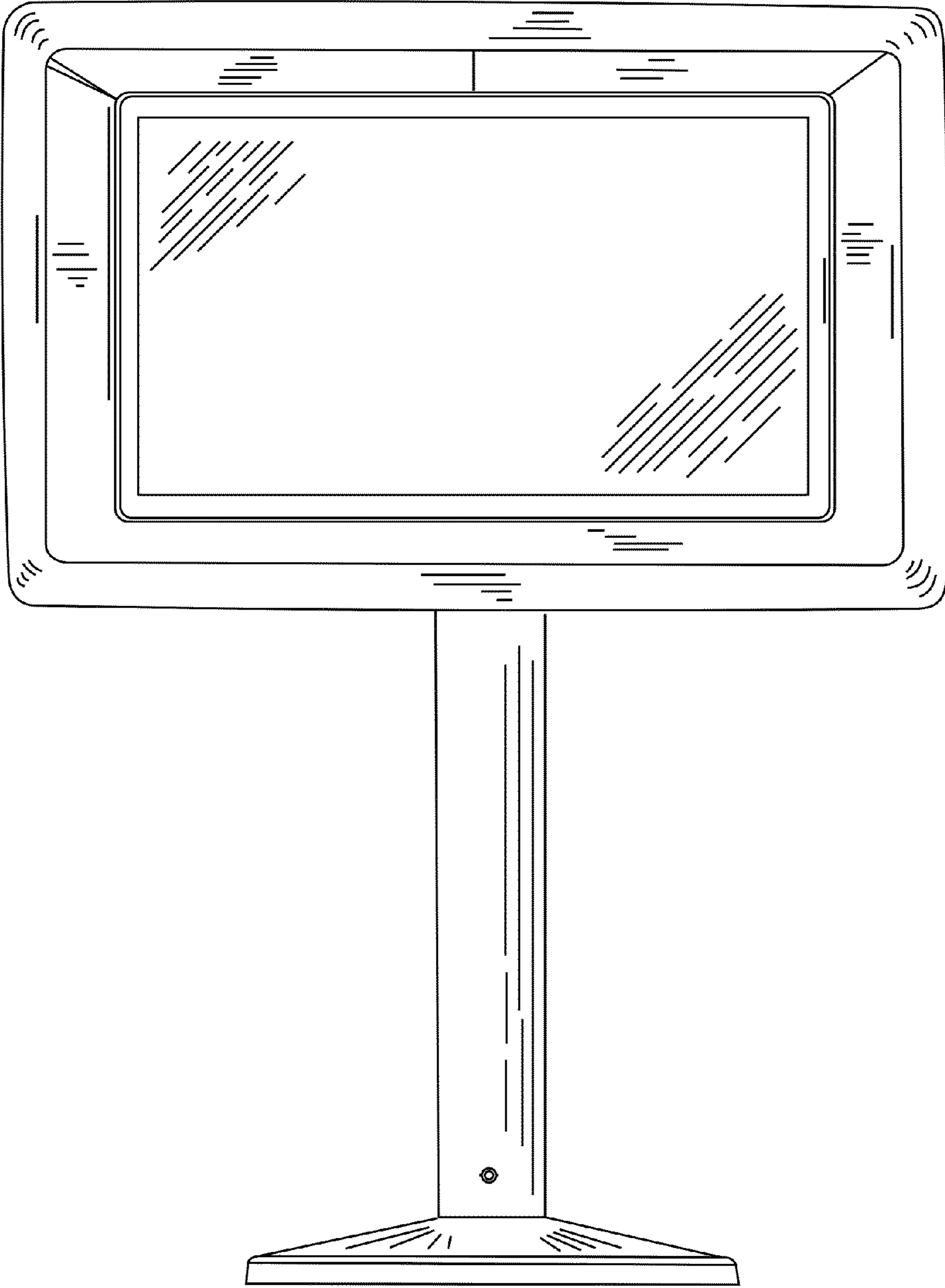


Fig. 3

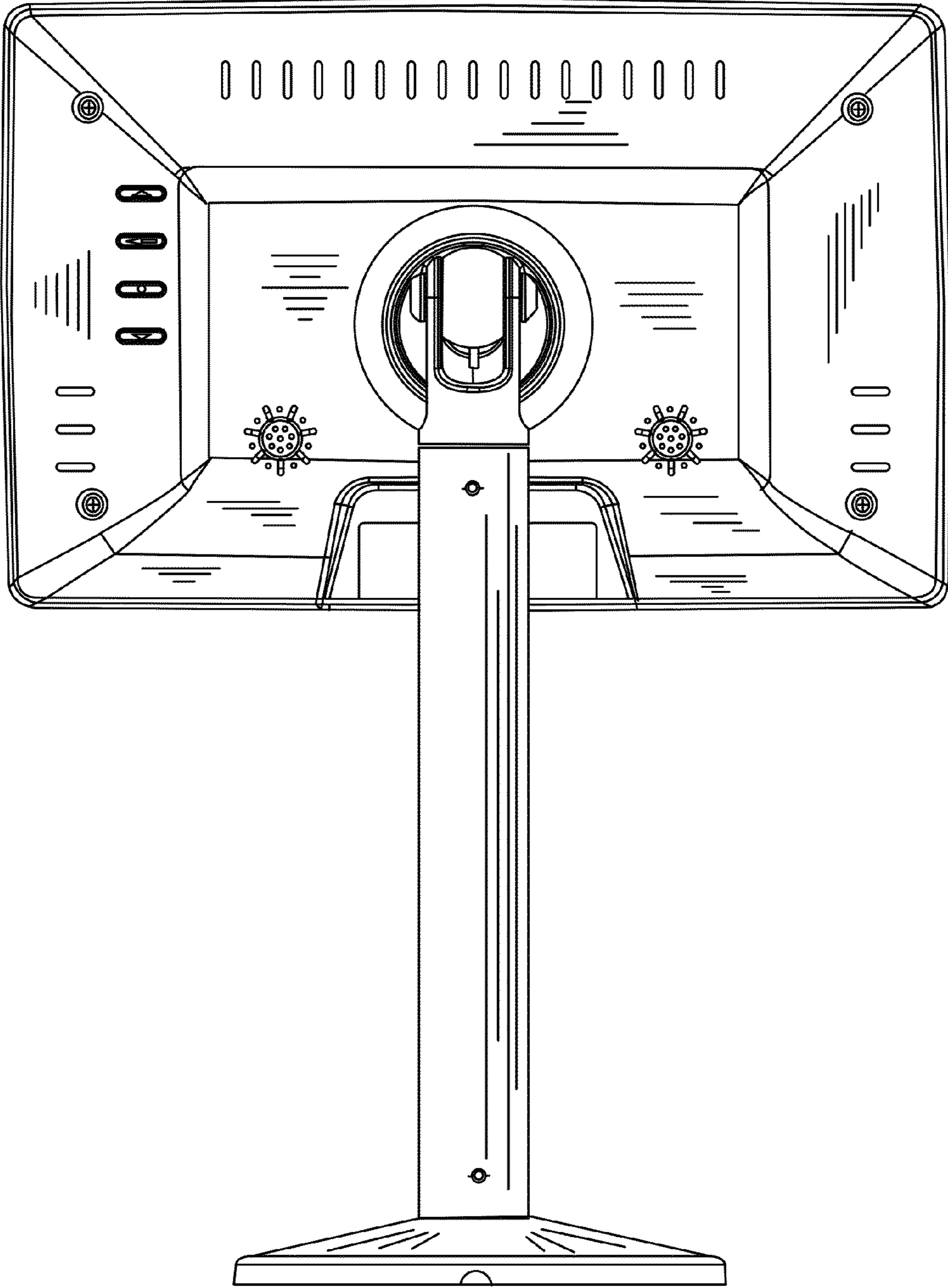


Fig. 4

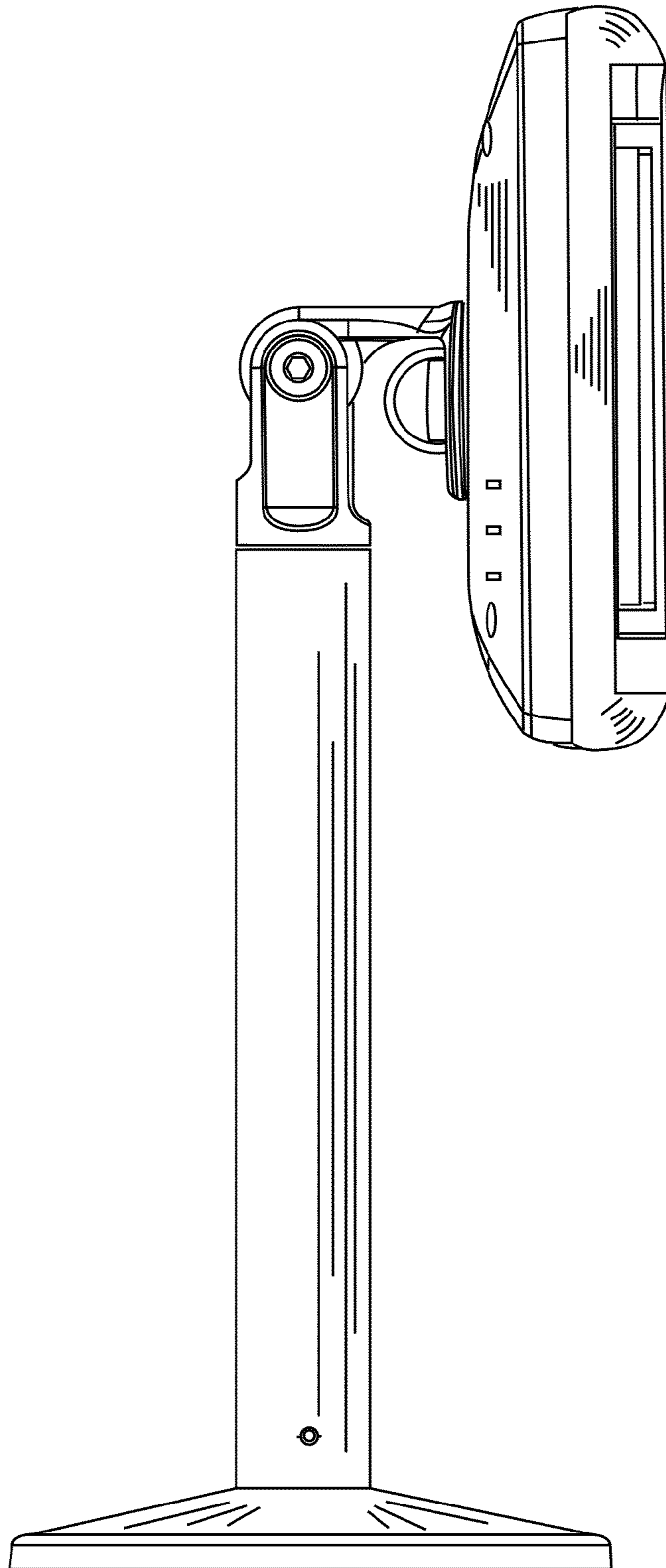


Fig. 5

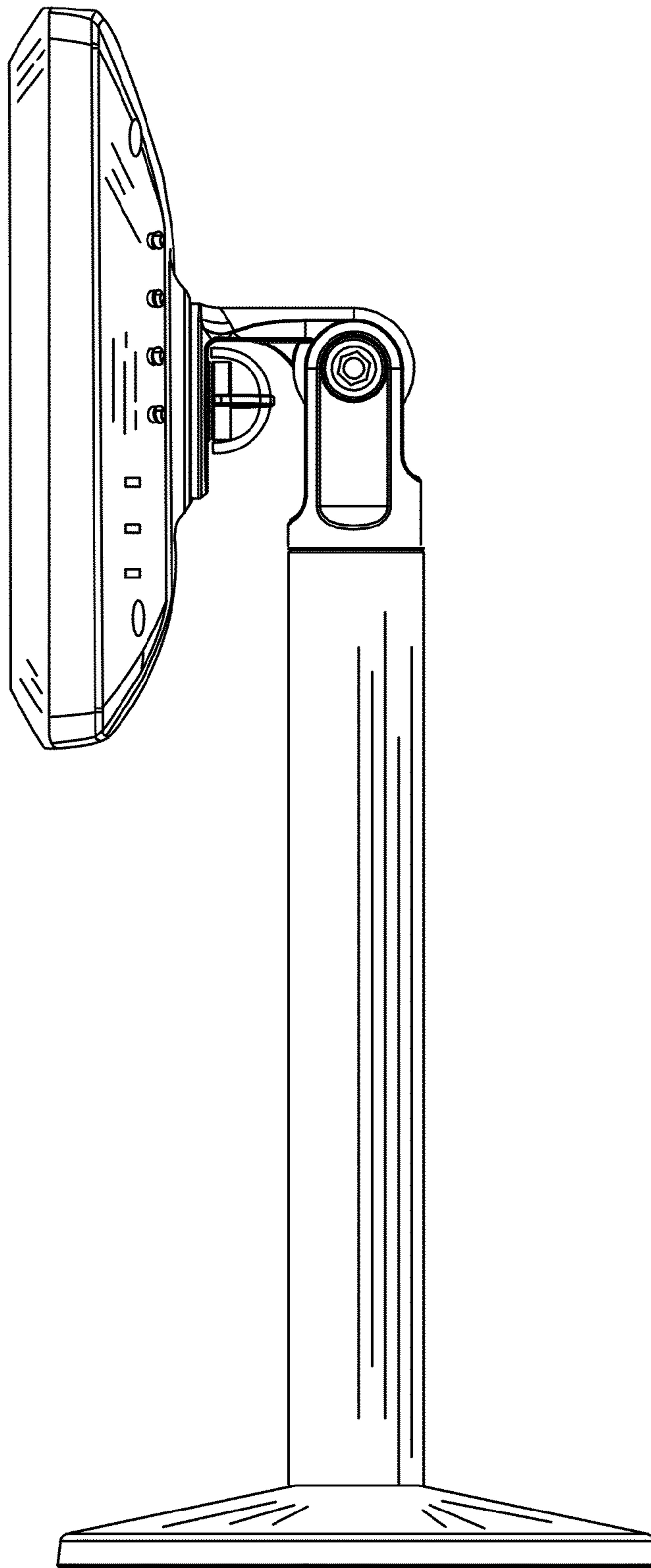


Fig. 6

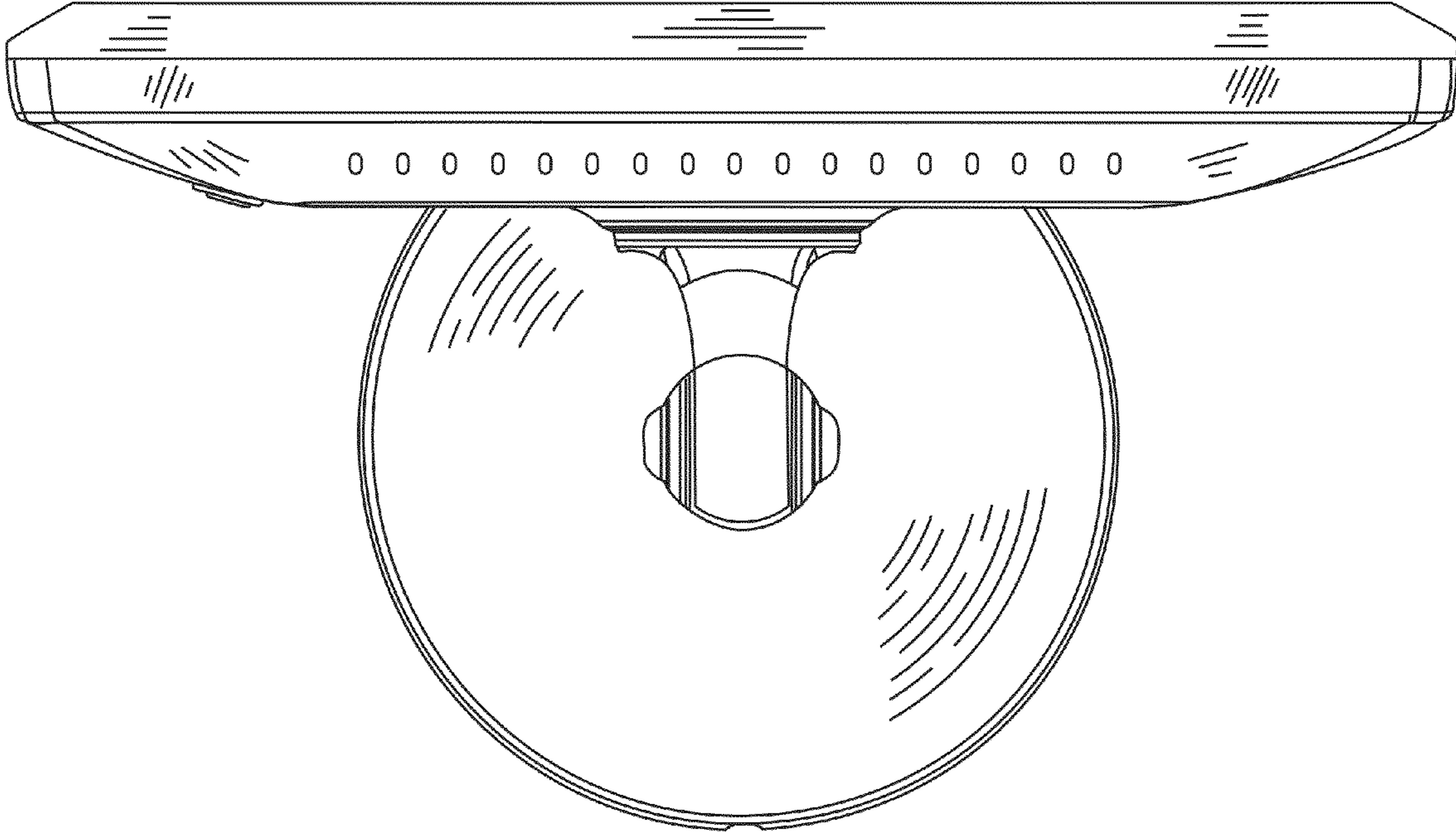


Fig. 7



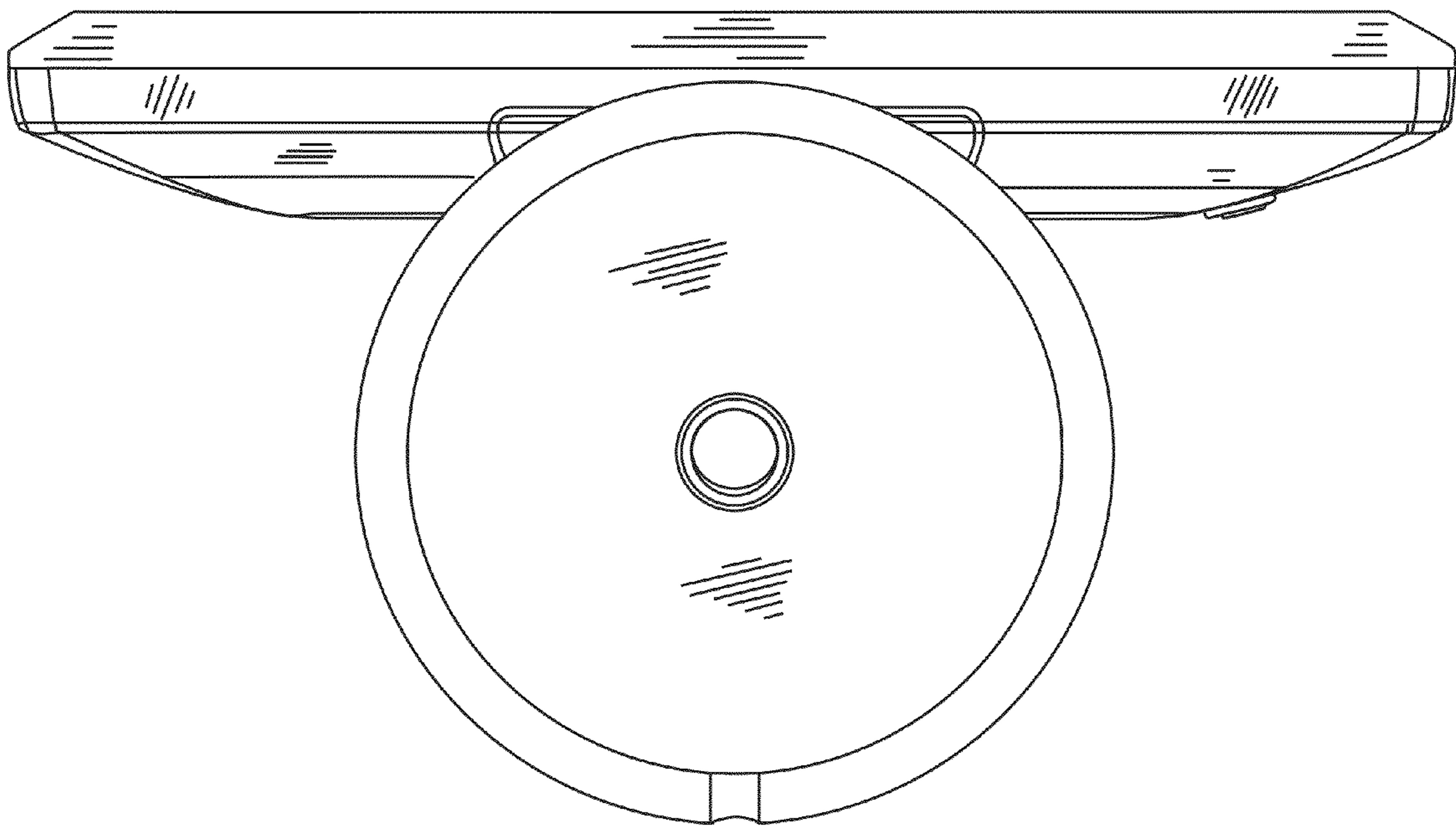


Fig. 8