



US00D704707S

(12) **United States Design Patent**  
**Huh et al.**

(10) **Patent No.:** **US D704,707 S**  
(45) **Date of Patent:** **\*\* May 13, 2014**

(54) **LIQUID CRYSTAL DISPLAY (LCD) MONITOR**

(71) Applicant: **LG Electronics Inc.**, Seoul (KR)

(72) Inventors: **Byungmu Huh**, Seoul (KR);  
**Kyoungjong Kim**, Yongin-si (KR)

(73) Assignee: **LG Electronics Inc.**, Seoul (KR)

(\*\*) Term: **14 Years**

(21) Appl. No.: **29/441,420**

(22) Filed: **Jan. 4, 2013**

(30) **Foreign Application Priority Data**

Jul. 6, 2012 (KR) ..... 30-2012-0032966

(51) **LOC (10) Cl.** ..... **14-02**

(52) **U.S. Cl.**  
USPC ..... **D14/374**

(58) **Field of Classification Search**  
CPC ..... G06F 3/016; G06F 3/011; F16M 11/10;  
F16M 11/04  
USPC ..... D14/371-375, 125-129, 336, 337;  
341/12; 345/104, 156, 168, 173;  
348/180, 184, 325, 739; 349/1, 2, 11,  
349/62; 361/679.01, 679.05-679.07,  
361/679.21; D6/300, 308

See application file for complete search history.

(56) **References Cited**

U.S. PATENT DOCUMENTS

|              |    |   |         |               |       |            |
|--------------|----|---|---------|---------------|-------|------------|
| D518,049     | S  | * | 3/2006  | Depay         | ..... | D14/375    |
| D520,004     | S  | * | 5/2006  | Baek et al.   | ..... | D14/375    |
| D545,820     | S  | * | 7/2007  | Won et al.    | ..... | D14/375    |
| D628,172     | S  | * | 11/2010 | Chien         | ..... | D14/126    |
| D643,036     | S  | * | 8/2011  | Chien         | ..... | D14/374    |
| 2011/0096486 | A1 | * | 4/2011  | Oh et al.     | ..... | 361/679.21 |
| 2012/0155004 | A1 | * | 6/2012  | Yukawa et al. | ..... | 361/679.21 |

\* cited by examiner

*Primary Examiner* — Freda S Nunn

(74) *Attorney, Agent, or Firm* — Birch, Stewart, Kolasch & Birch, LLP

(57) **CLAIM**

The ornamental design for a liquid crystal display (LCD) monitor, as shown and described.

**DESCRIPTION**

FIG. 1 is a perspective view of a liquid crystal display (LCD) monitor showing our new design;  
FIG. 2 is a front view thereof;  
FIG. 3 is a rear view thereof;  
FIG. 4 is a left side view thereof where the right side view is a mirror image;  
FIG. 5 is a top plan view thereof;  
FIG. 6 is a bottom plan view thereof; and,  
FIG. 7 is a rear perspective view thereof.

**1 Claim, 6 Drawing Sheets**

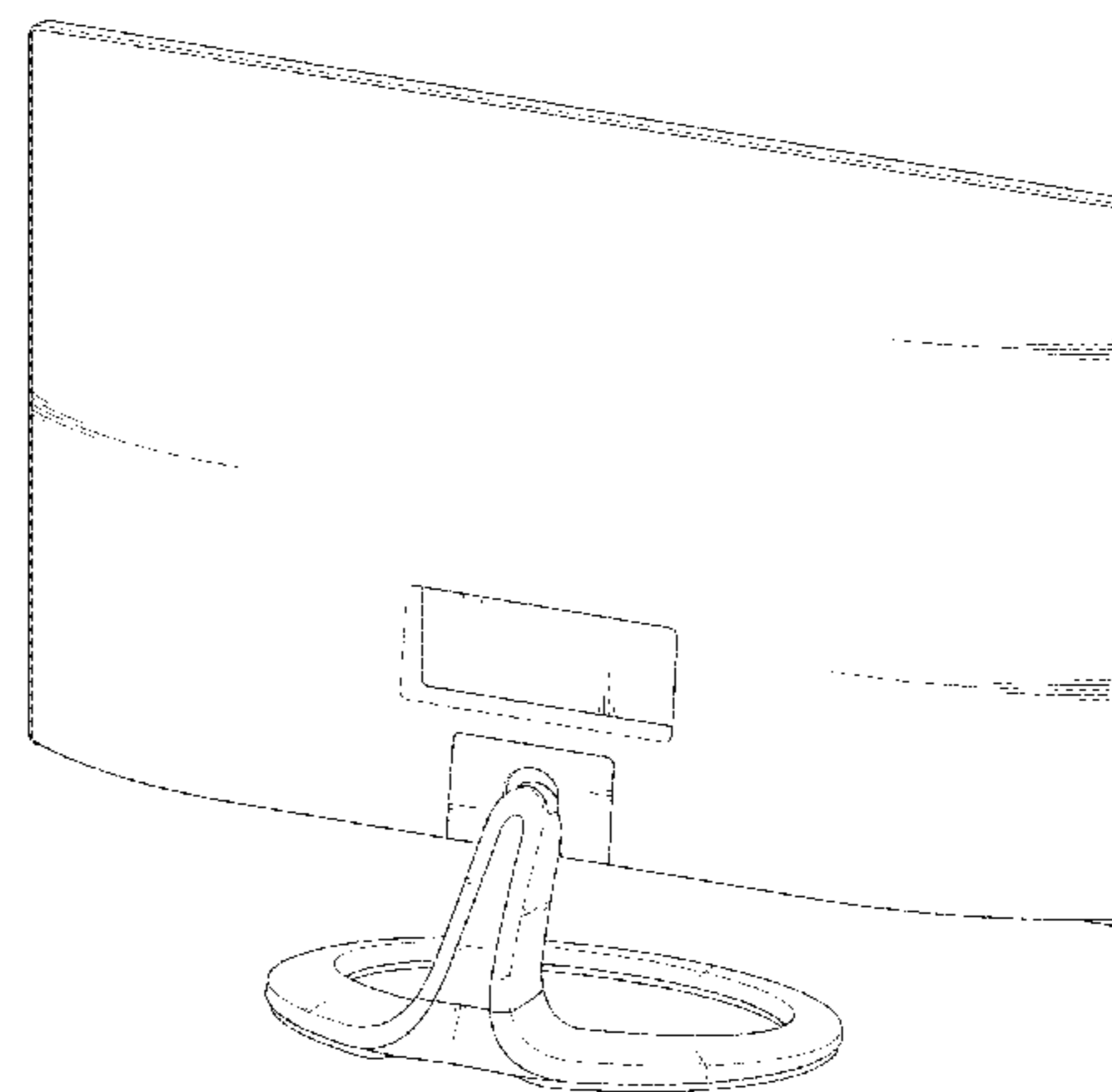
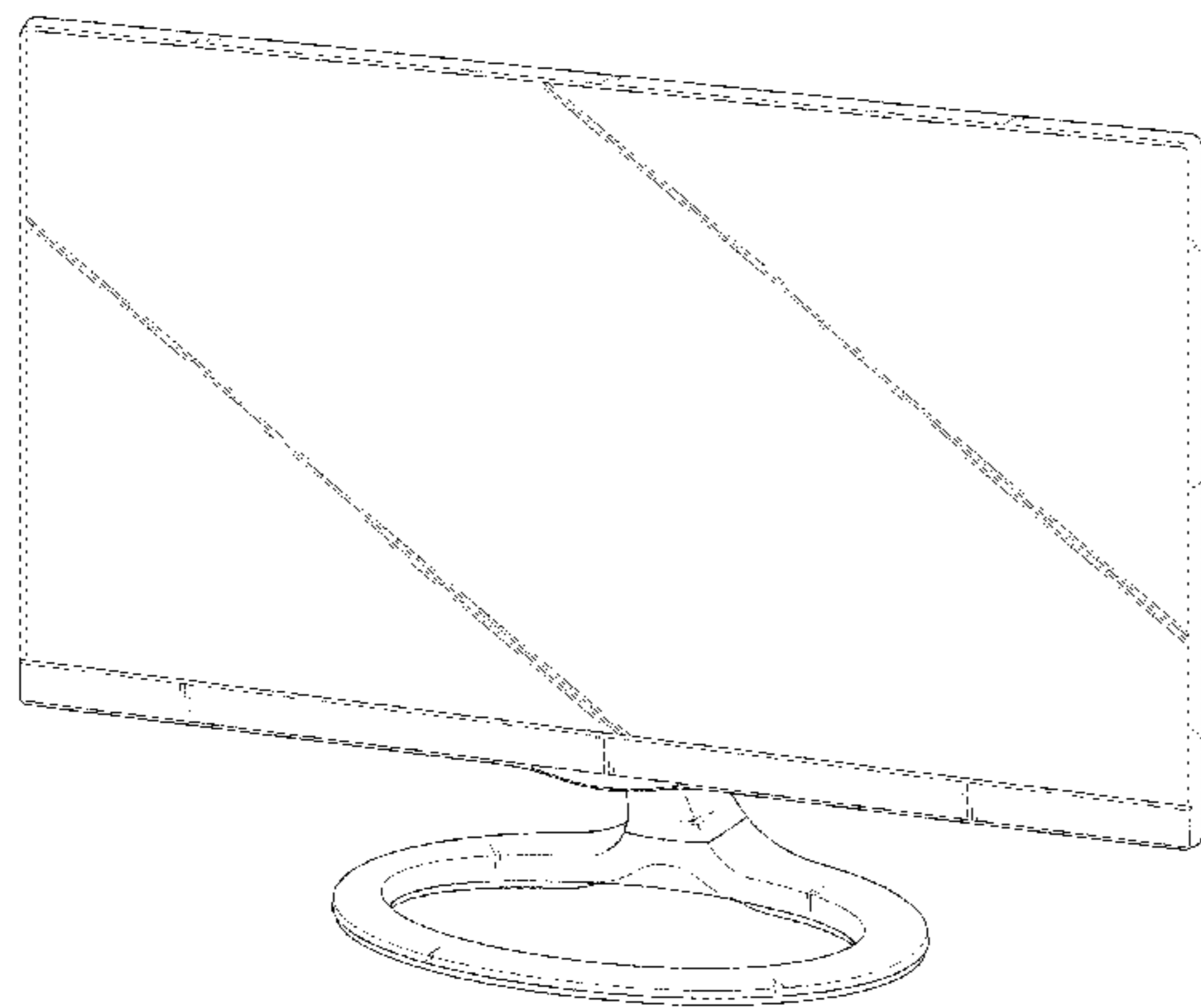


FIG. 1

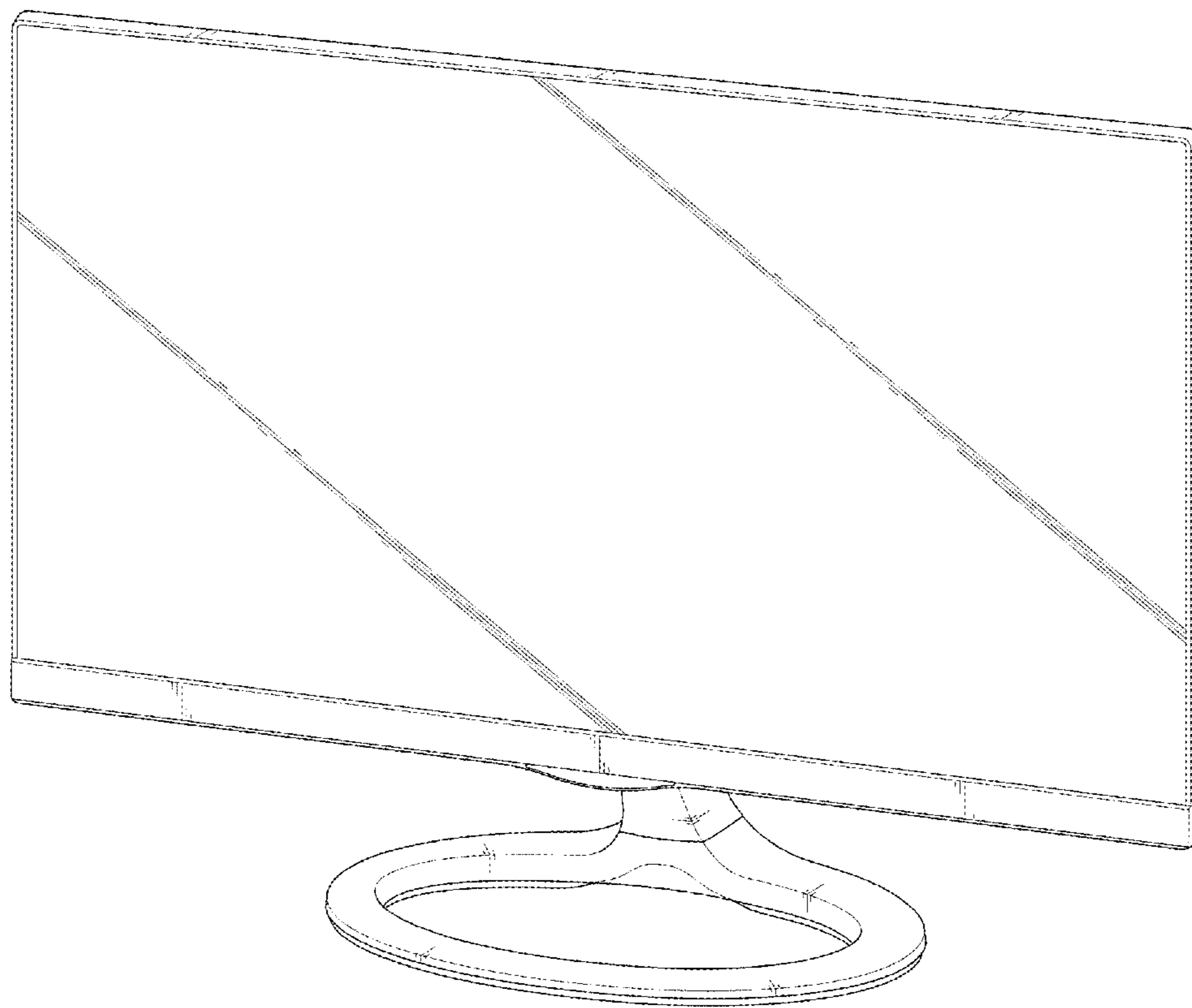


FIG. 2

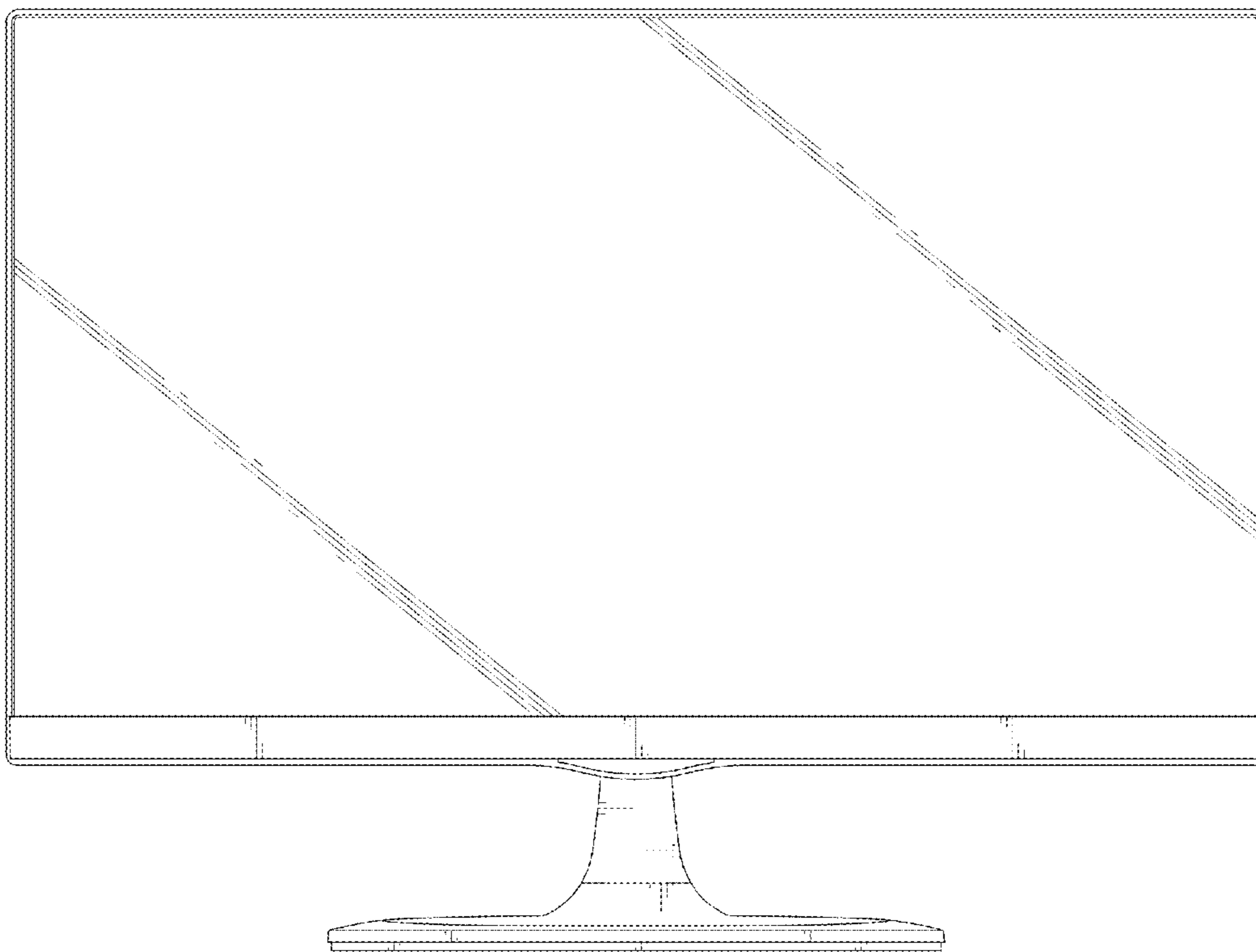


FIG. 3

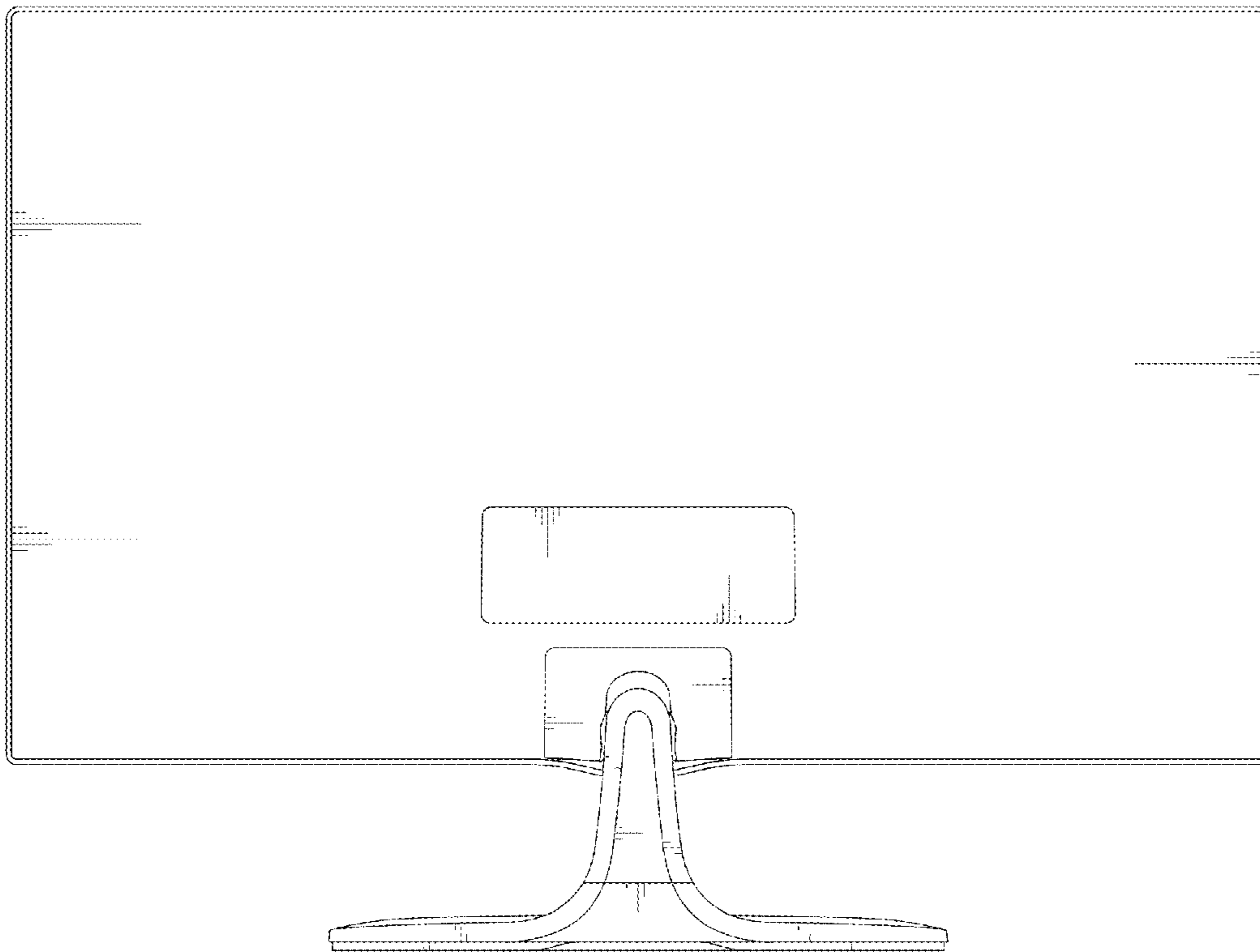


FIG. 4

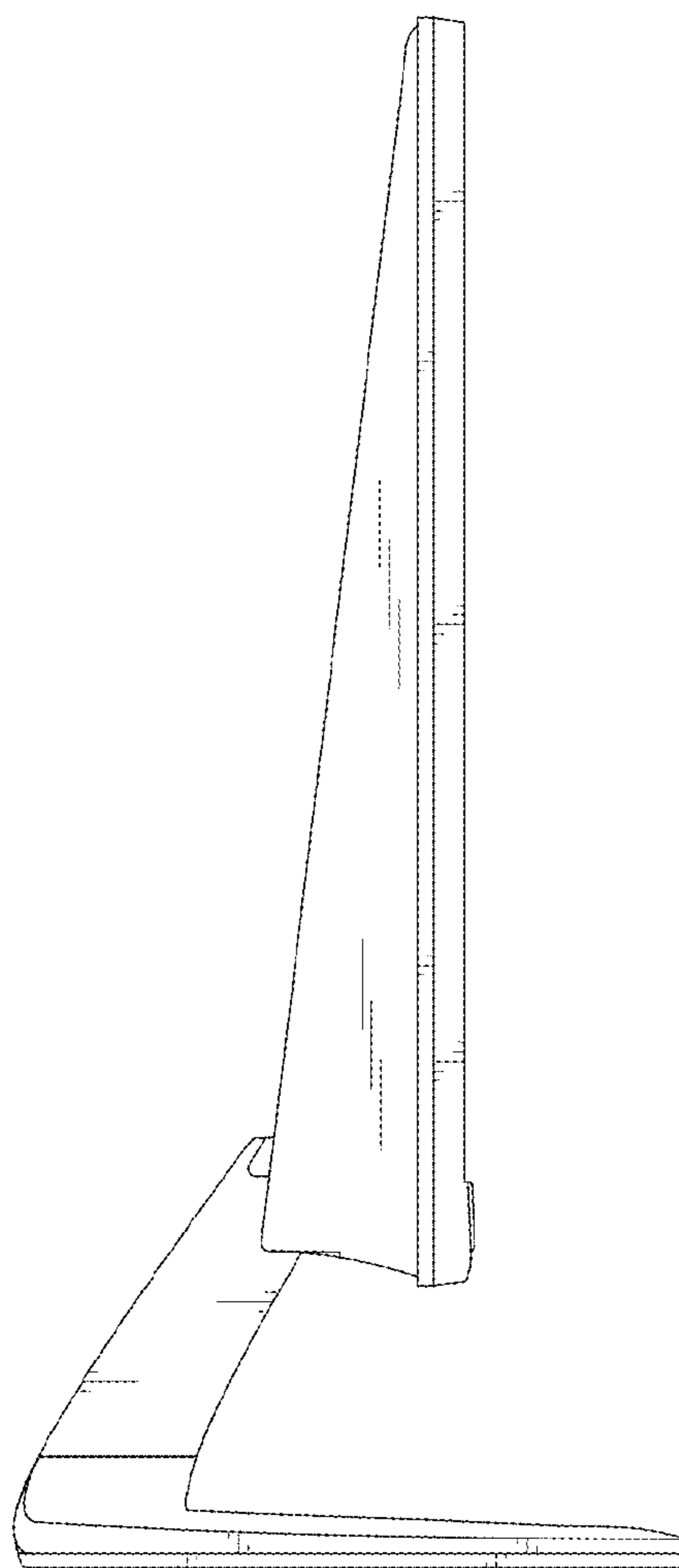


FIG. 5

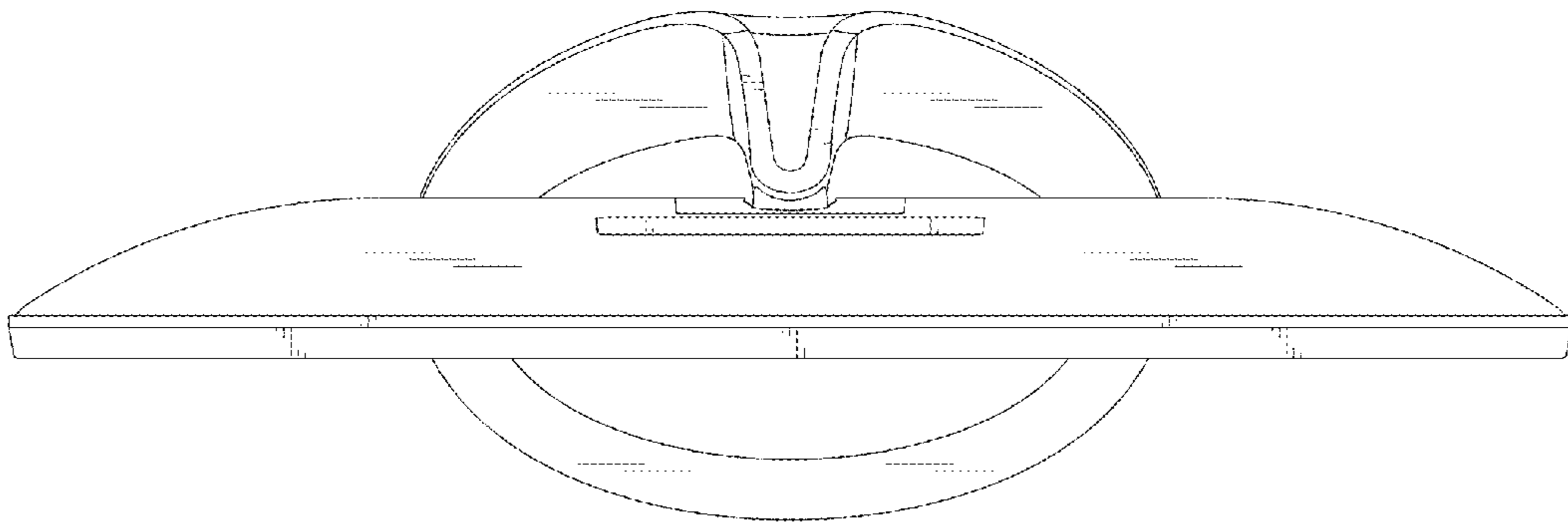


FIG. 6

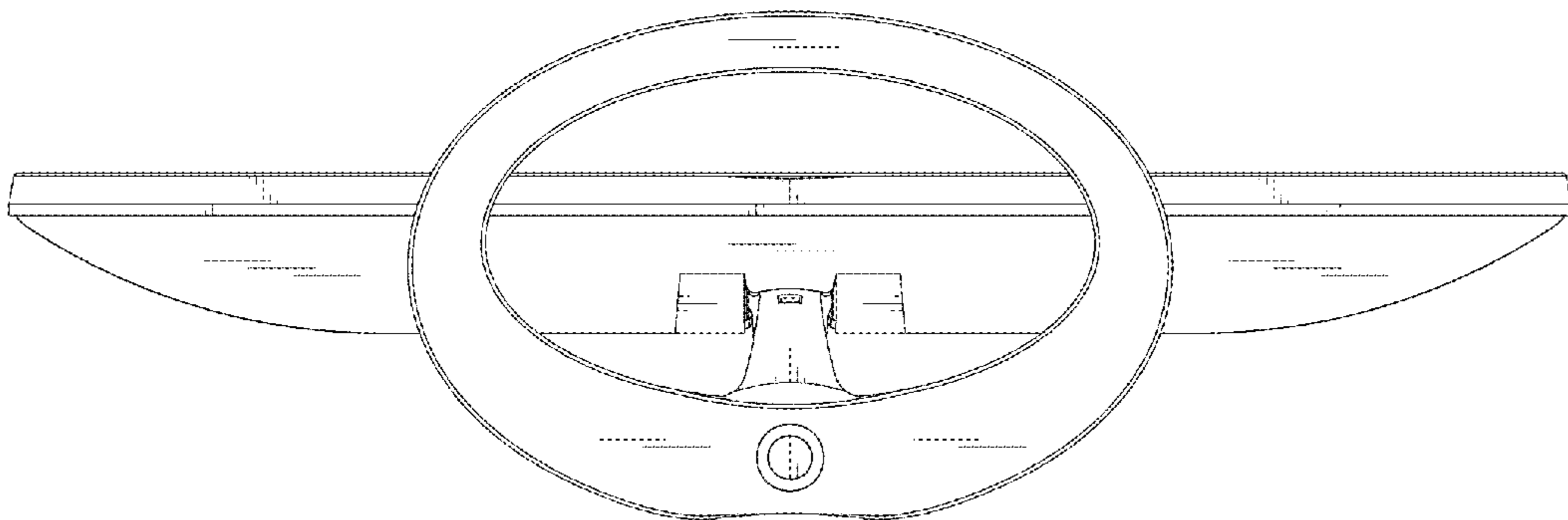


FIG. 7

