



US00D704704S

(12) **United States Design Patent**  
**Tatara et al.**

(10) **Patent No.:** **US D704,704 S**

(45) **Date of Patent:** **\*\* May 13, 2014**

(54) **HEAD MOUNTED DISPLAY**

(75) Inventors: **Yoshihiro Tatara**, Shiojiri (JP); **Takeshi Fujishiro**, Shiojiri (JP); **Takeshi Ishikawa**, Azumino (JP); **Isao Sakamaki**, London (GB)

(73) Assignee: **Seiko Epson Corporation**, Tokyo (JP)

(\*\*) Term: **14 Years**

(21) Appl. No.: **29/406,756**

(22) Filed: **Nov. 18, 2011**

(30) **Foreign Application Priority Data**

Aug. 12, 2011 (JP) ..... 2011-018532

(51) **LOC (10) Cl.** ..... **14-02**

(52) **U.S. Cl.**  
USPC ..... **D14/372**

(58) **Field of Classification Search**  
USPC ..... D14/372, 496, 432, 371, 125, 126, 129,  
D14/299; D16/300-342; 351/158, 153, 144;  
345/7-9, 905; 455/344; 348/115, 53,  
348/121, 739  
See application file for complete search history.

(56) **References Cited**

**U.S. PATENT DOCUMENTS**

D371,549 S \* 7/1996 Ronzani et al. .... D14/372  
5,742,263 A \* 4/1998 Wang et al. .... 345/8  
D402,651 S \* 12/1998 Depay et al. .... D14/372  
D417,447 S \* 12/1999 Hirose et al. .... D14/372  
6,034,653 A \* 3/2000 Robertson et al. .... 345/8  
D439,265 S \* 3/2001 Hayashi ..... D16/300  
D504,428 S \* 4/2005 Napolitano et al. .... D14/372  
D517,066 S \* 3/2006 Travers et al. .... D14/372

D521,493 S \* 5/2006 Wai ..... D14/205  
D571,366 S \* 6/2008 Lee et al. .... D14/372  
D579,014 S \* 10/2008 Travers et al. .... D14/372  
D628,616 S \* 12/2010 Yuan ..... D16/306  
D640,256 S \* 6/2011 So ..... D14/372  
D645,862 S \* 9/2011 Paul ..... D14/372  
D692,424 S \* 10/2013 Pombo et al. .... D14/372  
2013/0088415 A1 \* 4/2013 Totani et al. .... 345/8

\* cited by examiner

*Primary Examiner* — Austin Murphy

(74) *Attorney, Agent, or Firm* — Oliff PLC

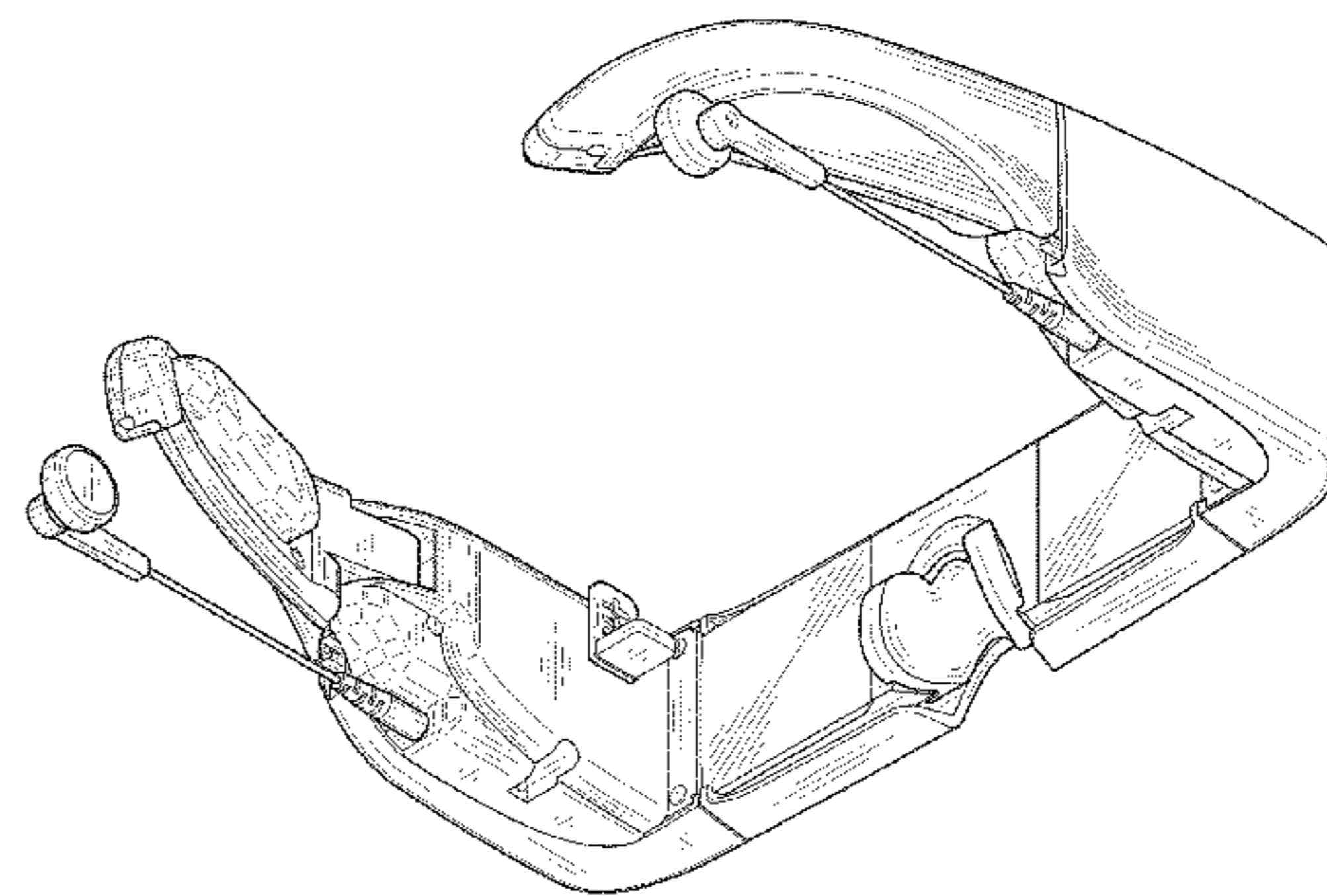
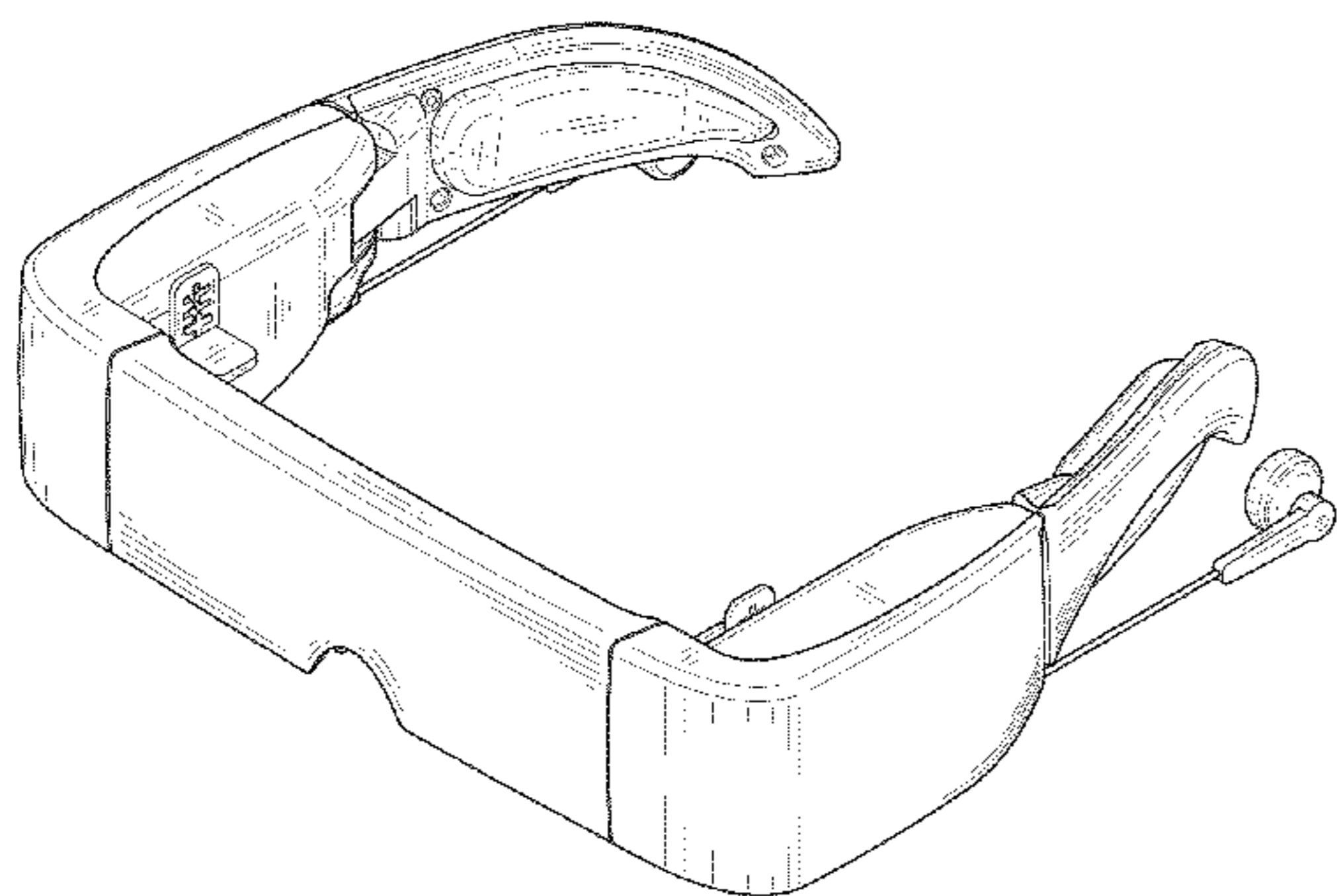
(57) **CLAIM**

The ornamental design for a head mounted display, as shown and described.

**DESCRIPTION**

FIG. 1 is a top, front, right-side perspective view of a head mounted display;  
FIG. 2 is a bottom, rear, left-side perspective view thereof;  
FIG. 3 is front view thereof;  
FIG. 4 is a rear view thereof;  
FIG. 5 is a left-side view thereof;  
FIG. 6 is a right-side view thereof;  
FIG. 7 is a top view thereof;  
FIG. 8 is a bottom view thereof;  
FIG. 9 is a top, front, right-side perspective view of a second embodiment of the head mounted display shown in FIG. 1:  
FIG. 10 is a bottom, rear, left-side perspective view thereof;  
FIG. 11 is front view thereof;  
FIG. 12 is a rear view thereof;  
FIG. 13 is a left-side view thereof;  
FIG. 14 is a right-side view thereof;  
FIG. 15 is a top view thereof; and,  
FIG. 16 is a bottom view thereof.

**1 Claim, 6 Drawing Sheets**



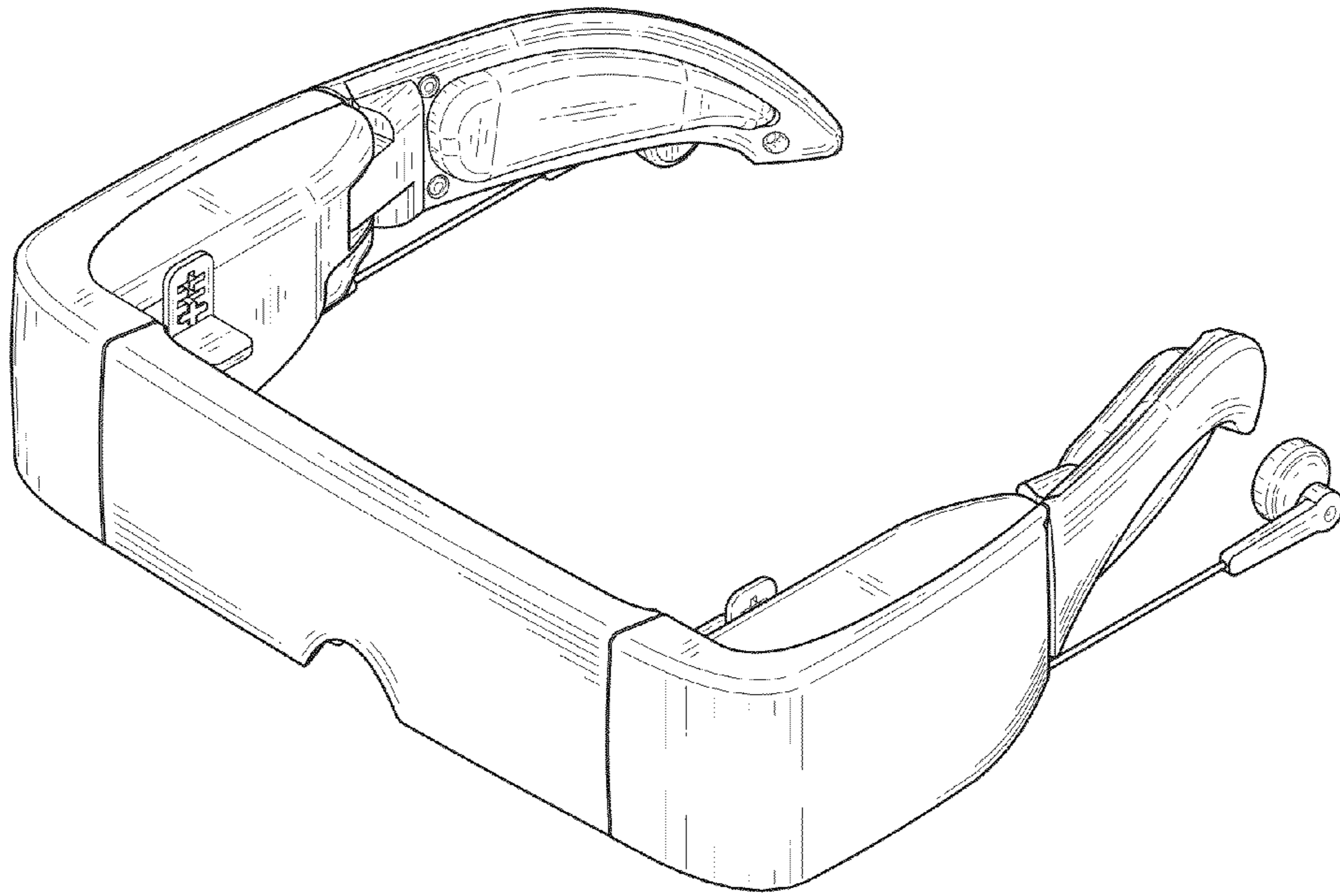


FIG. 1

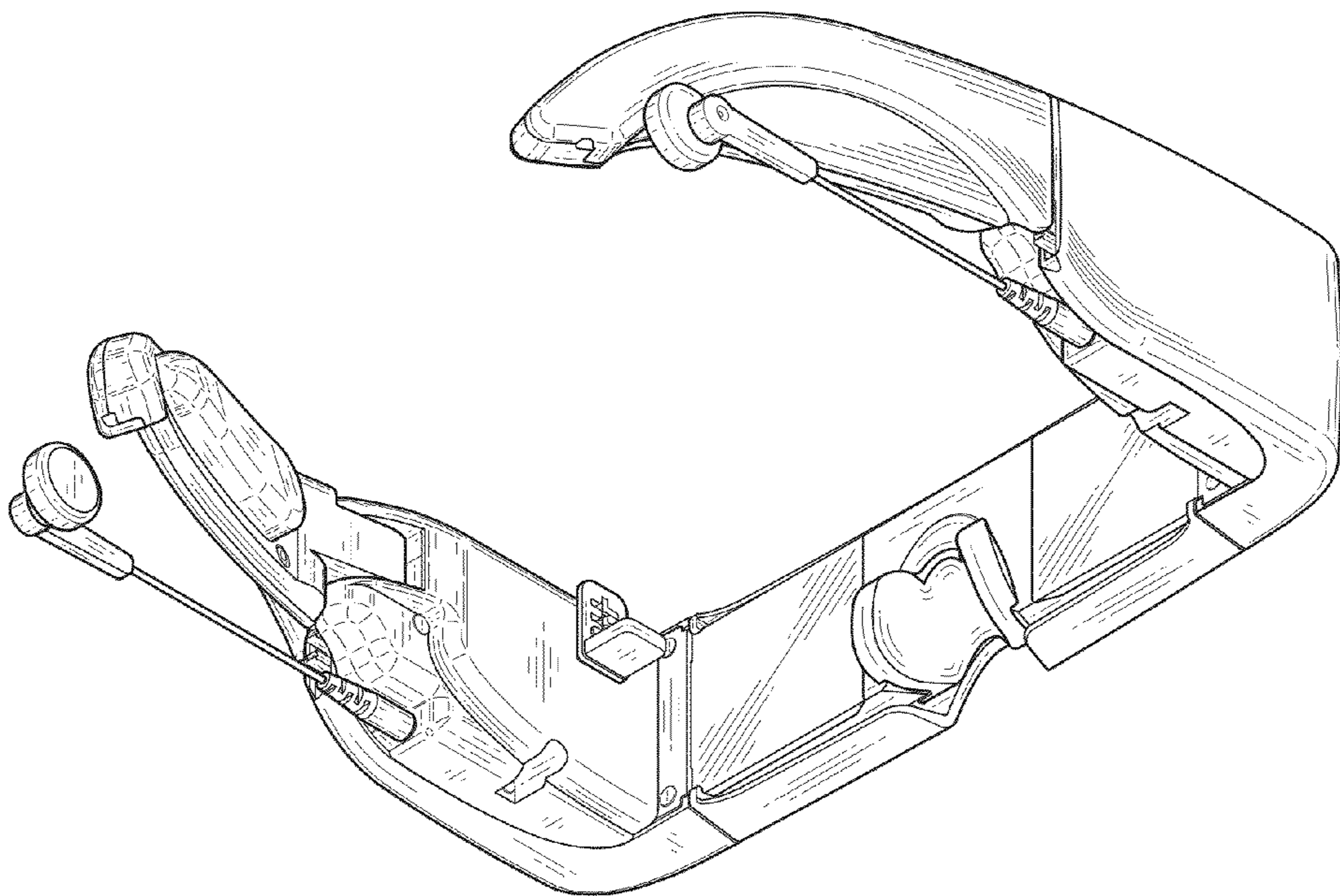


FIG. 2

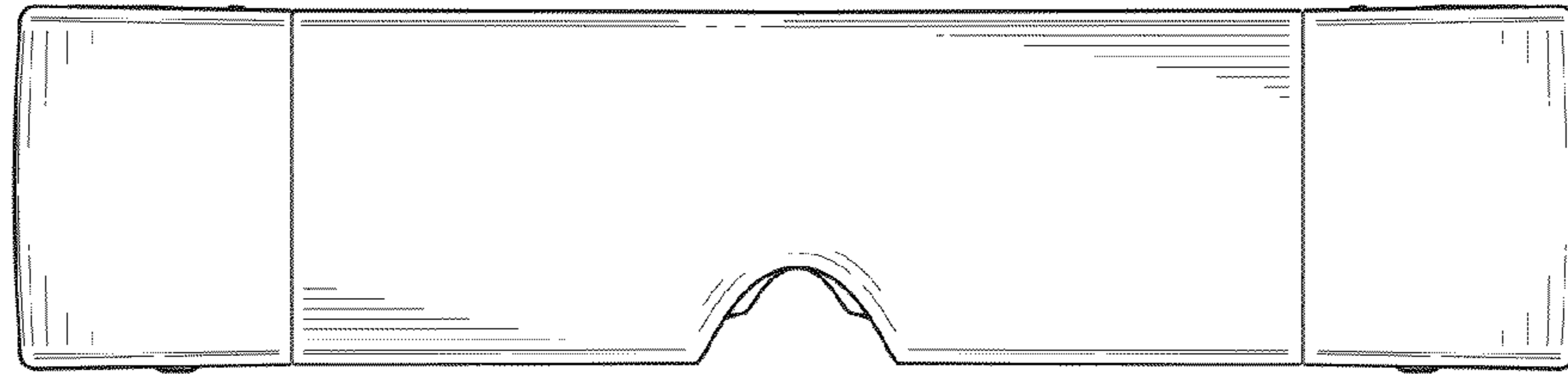


FIG. 3

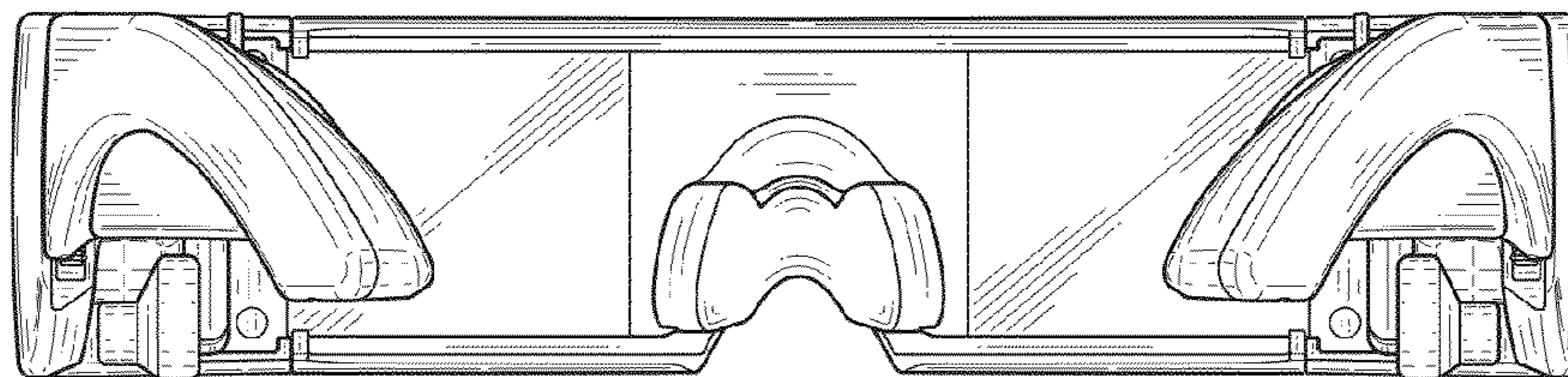


FIG. 4

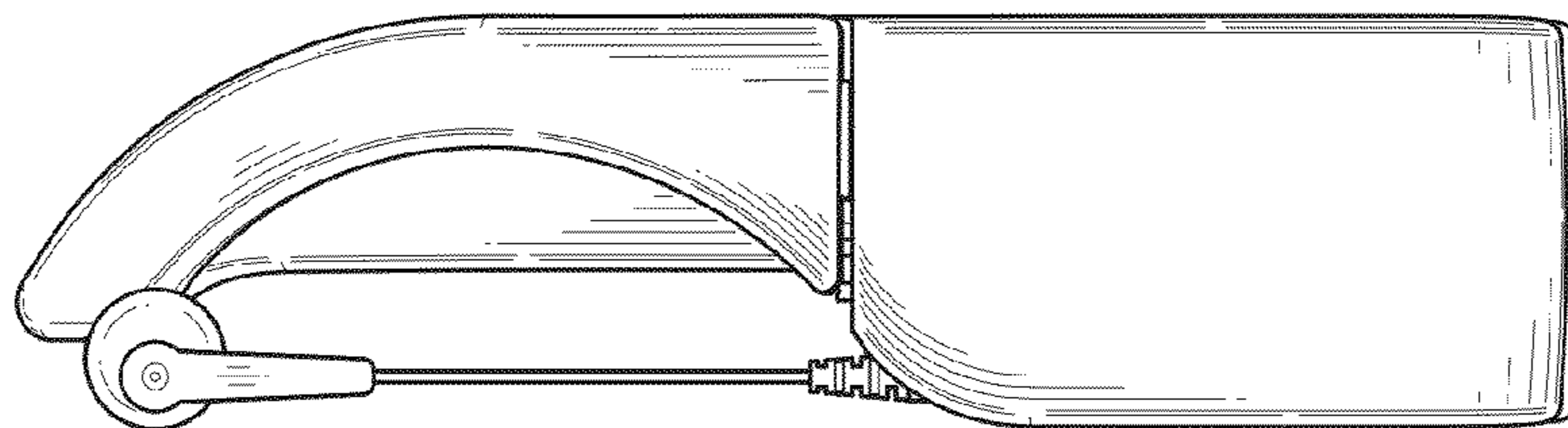


FIG. 5

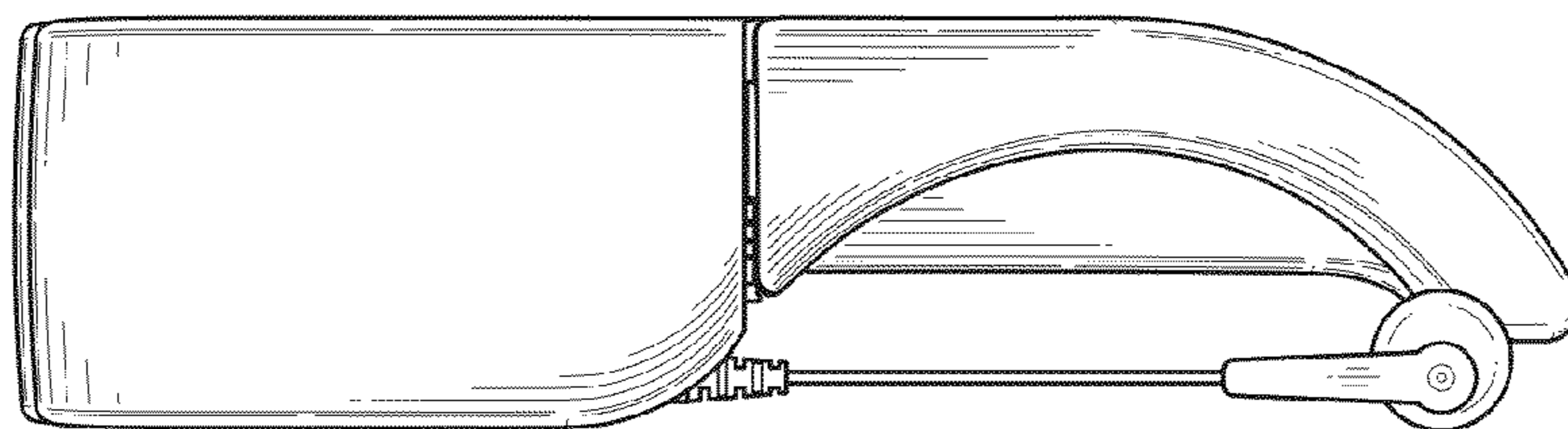


FIG. 6

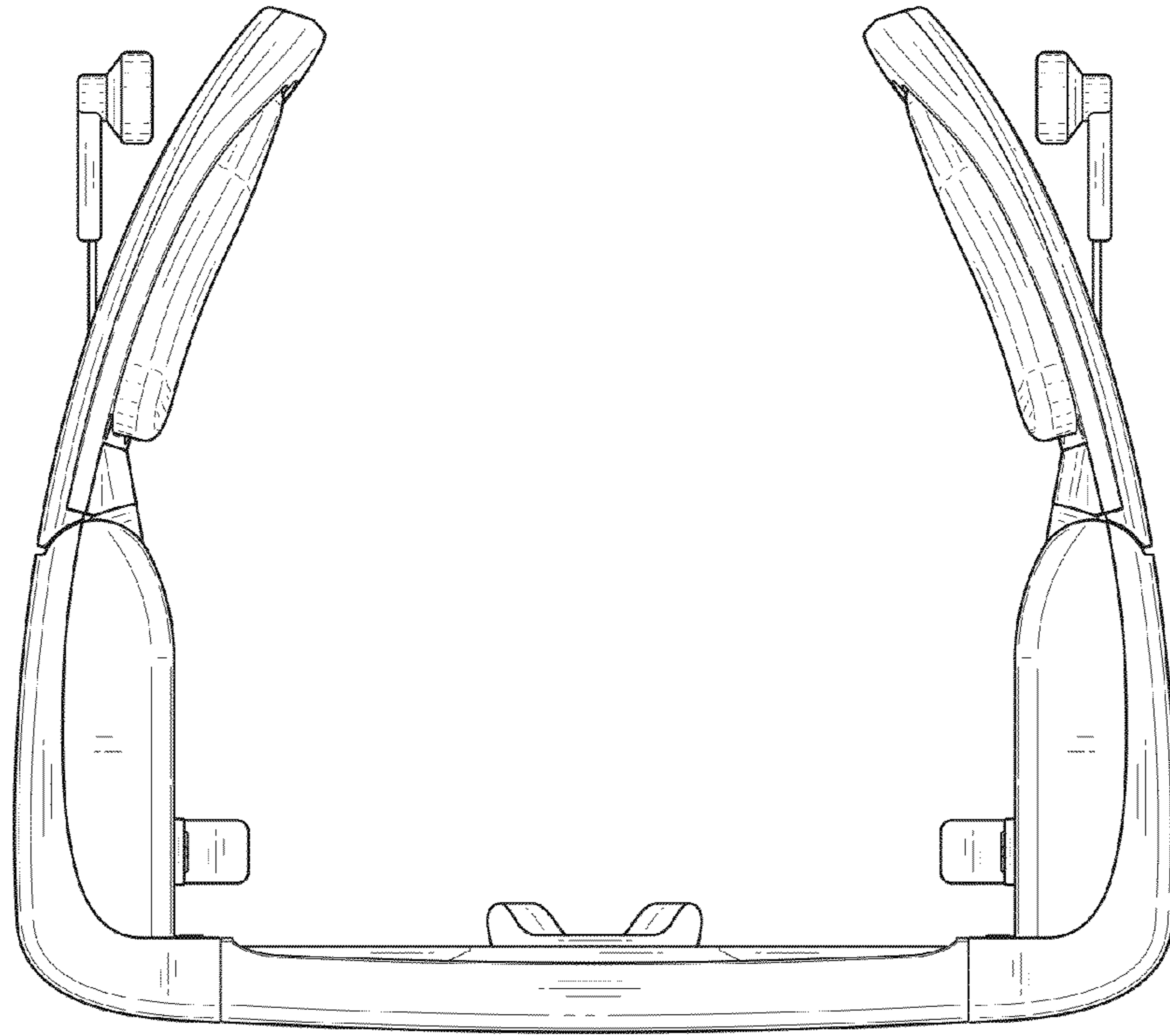


FIG. 7

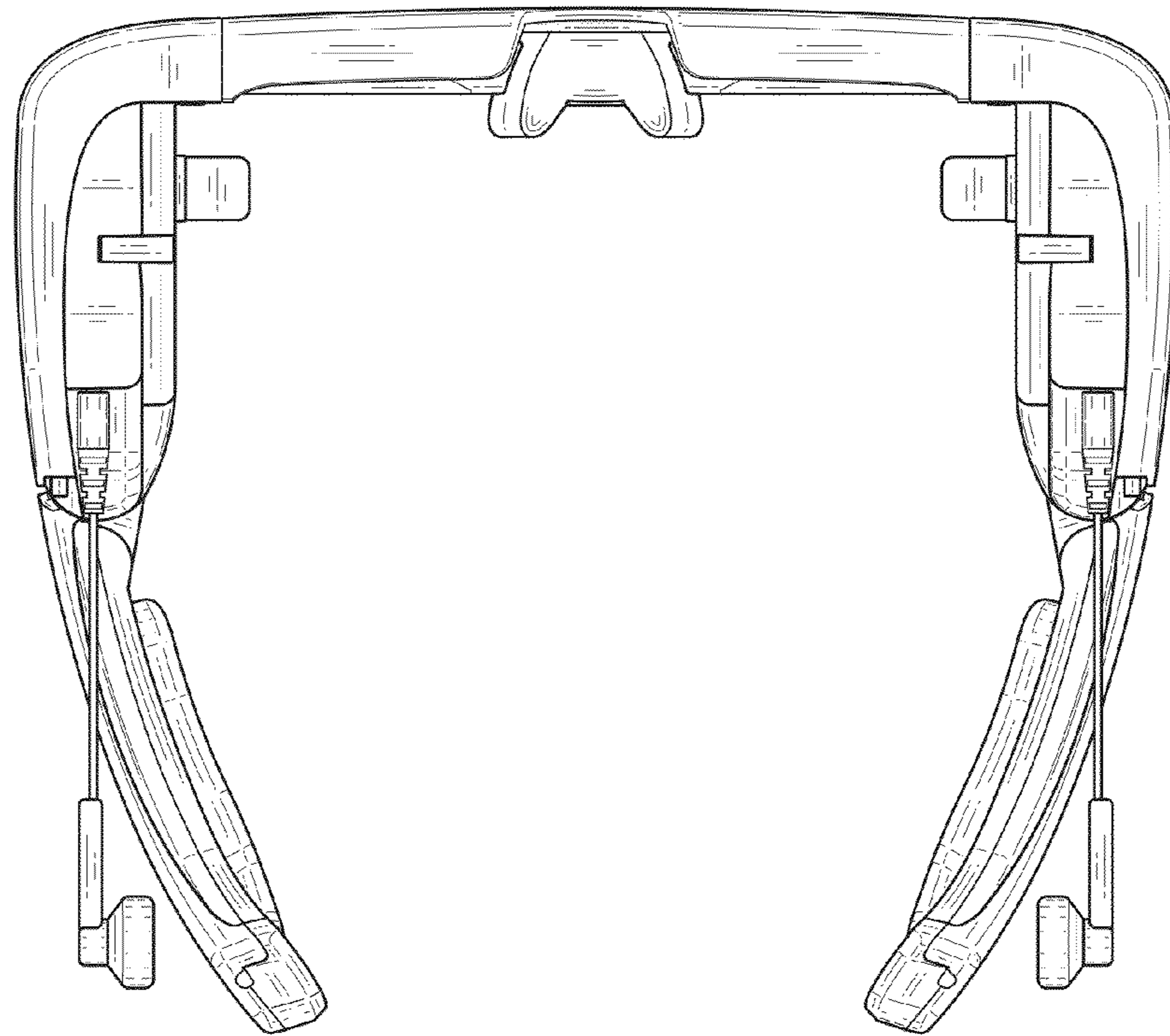


FIG. 8

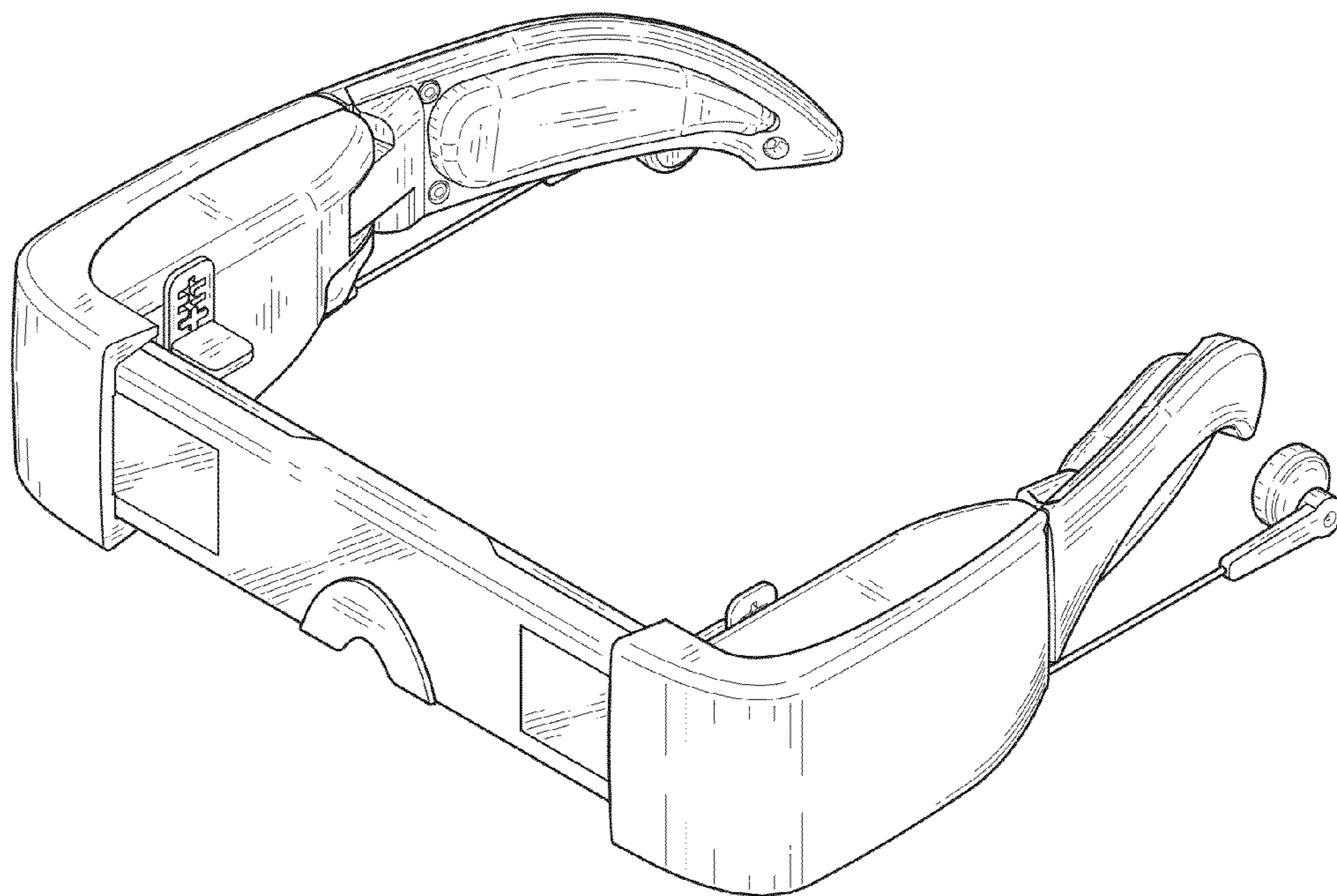


FIG. 9

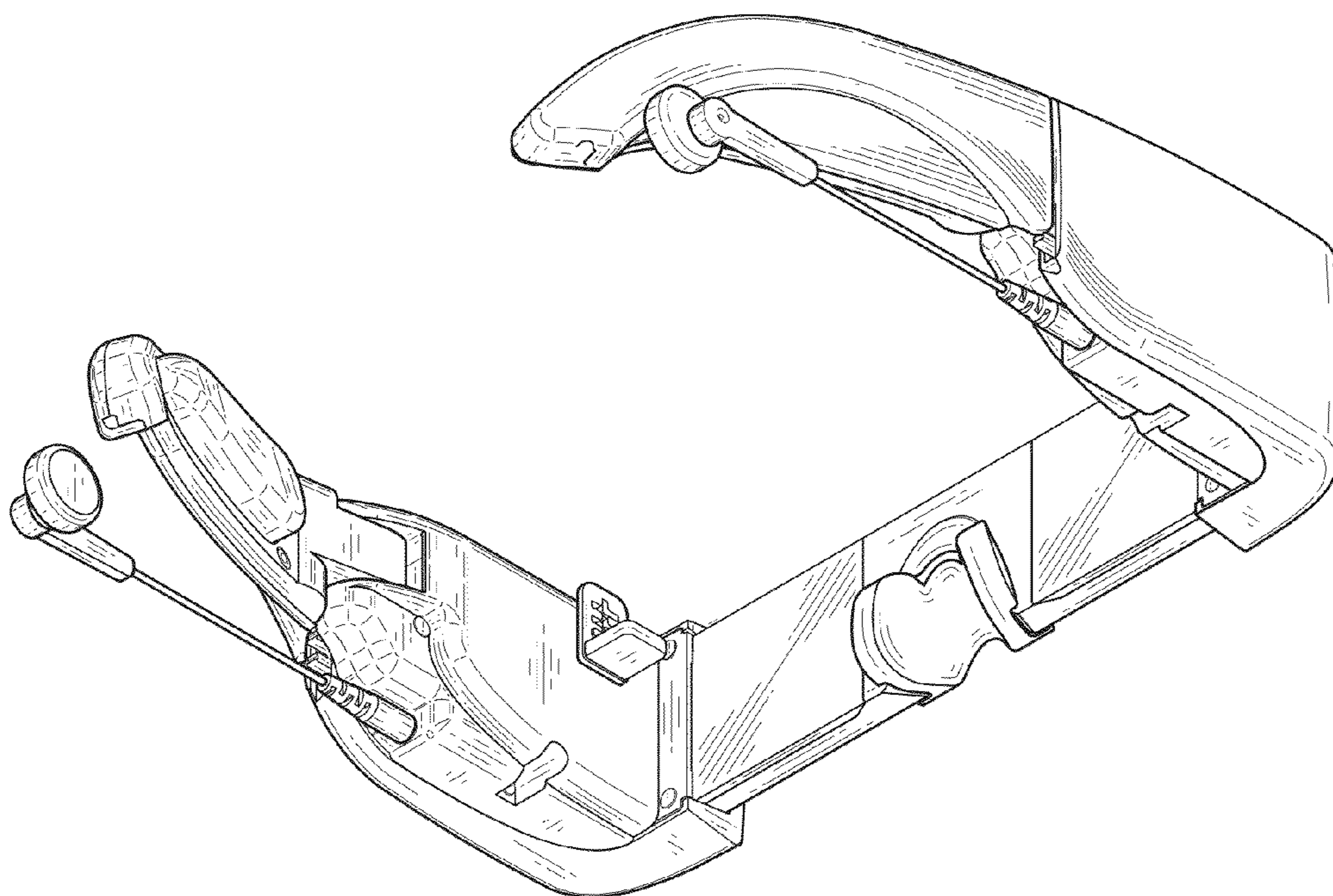


FIG. 10

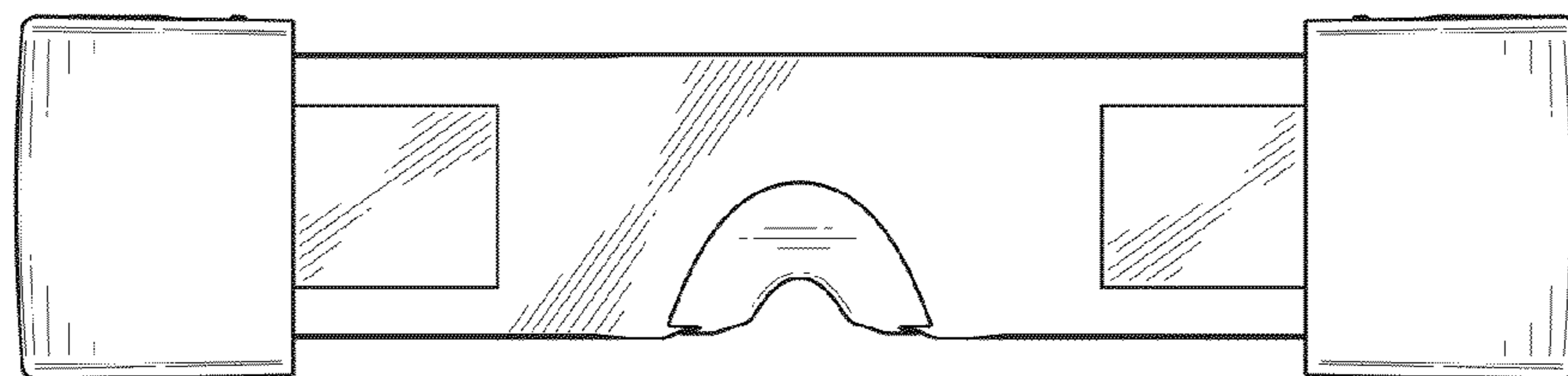


FIG. 11

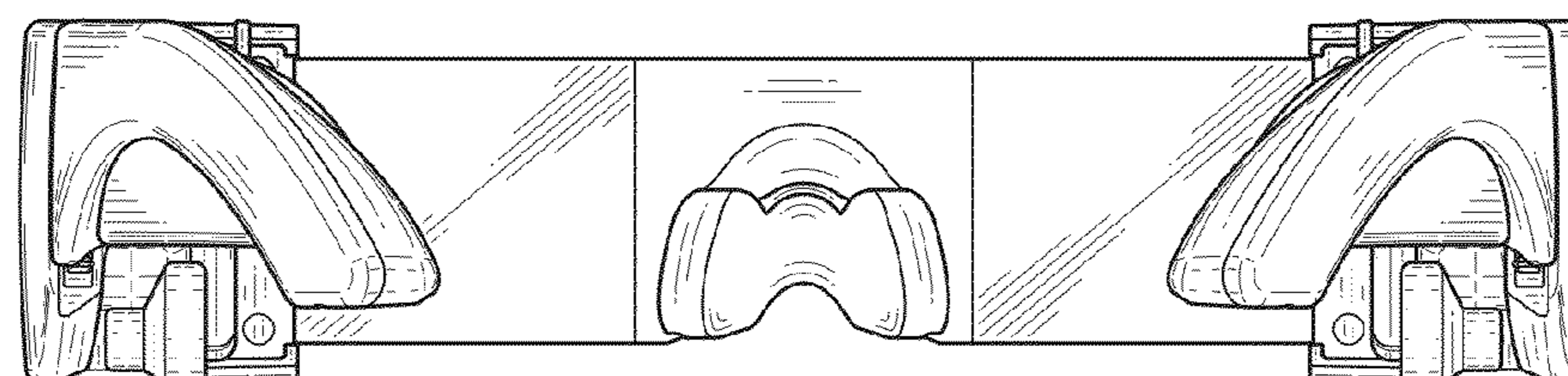


FIG. 12

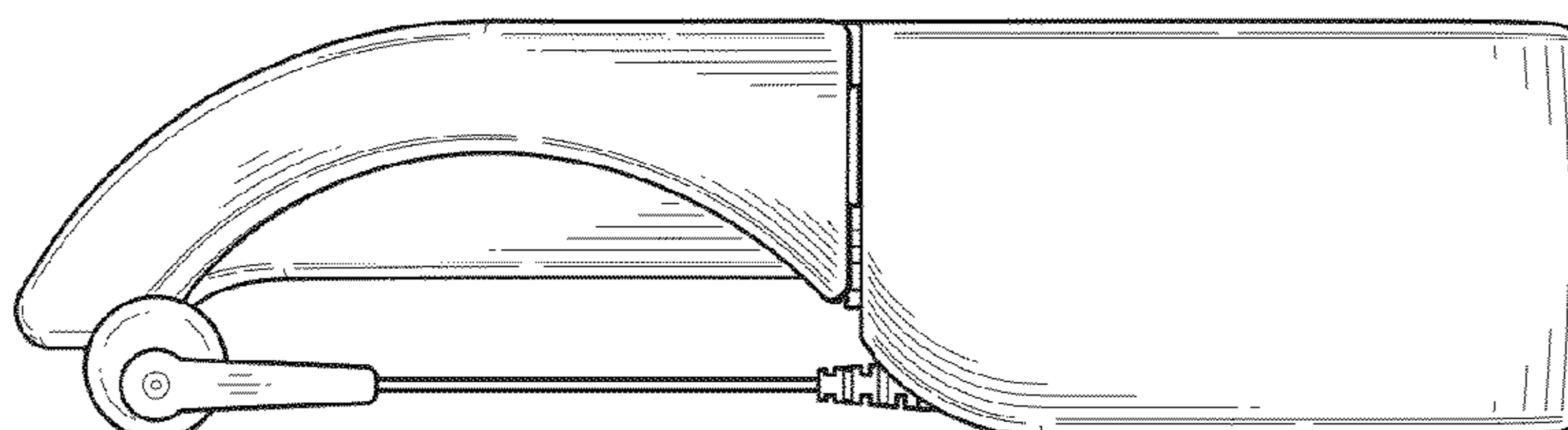


FIG. 13

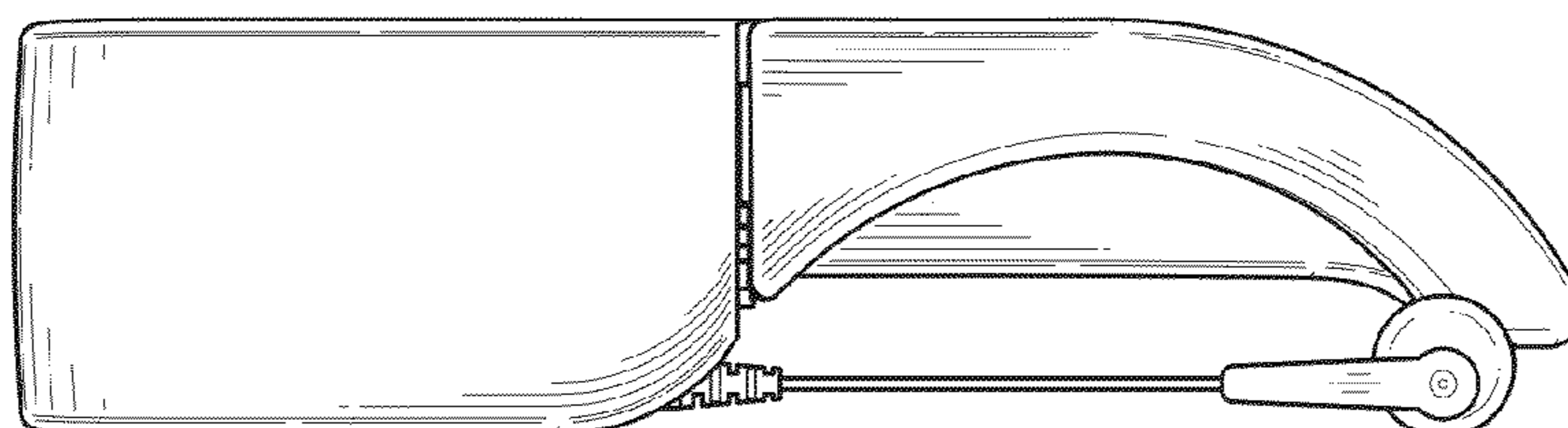


FIG. 14

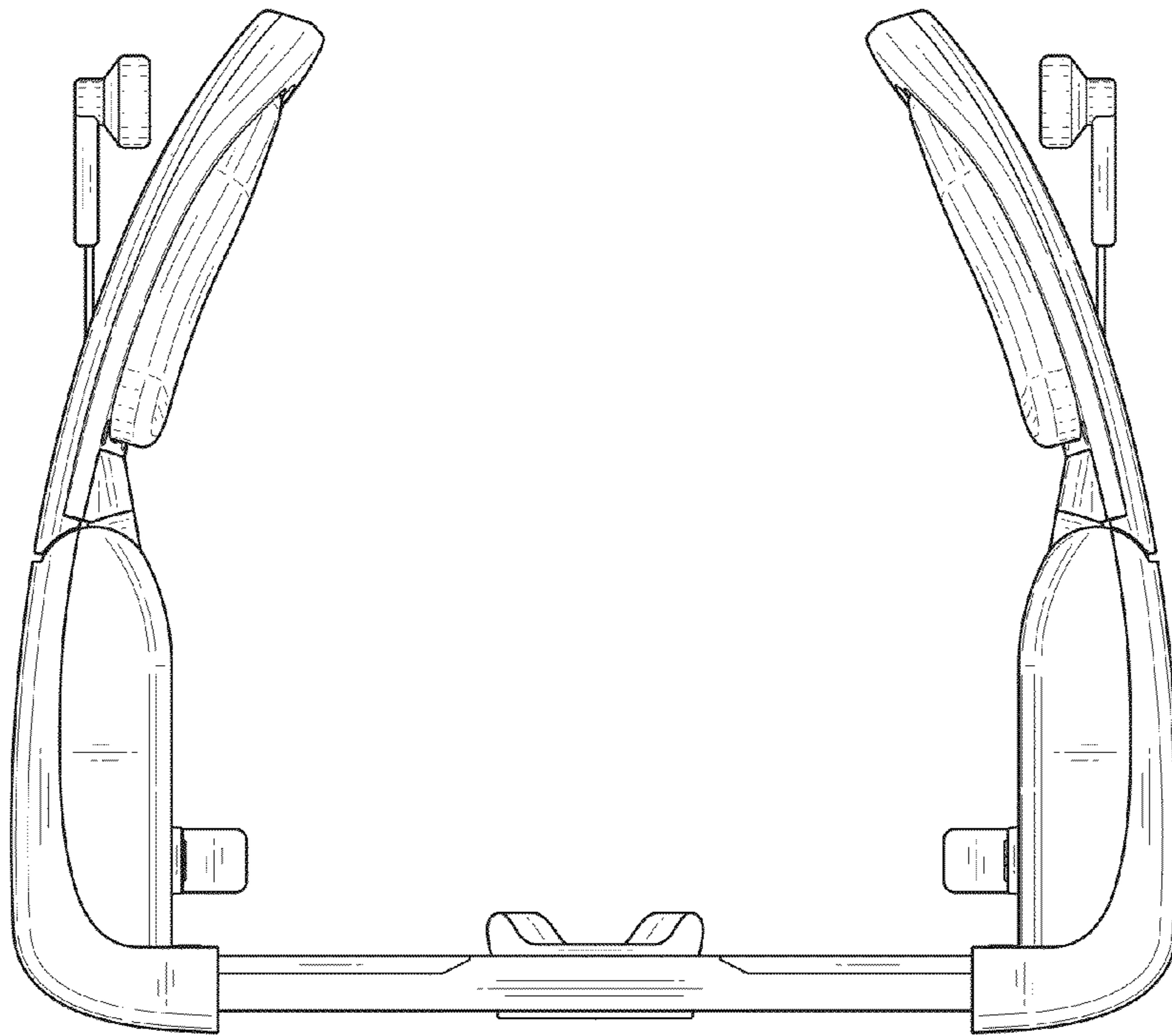


FIG. 15

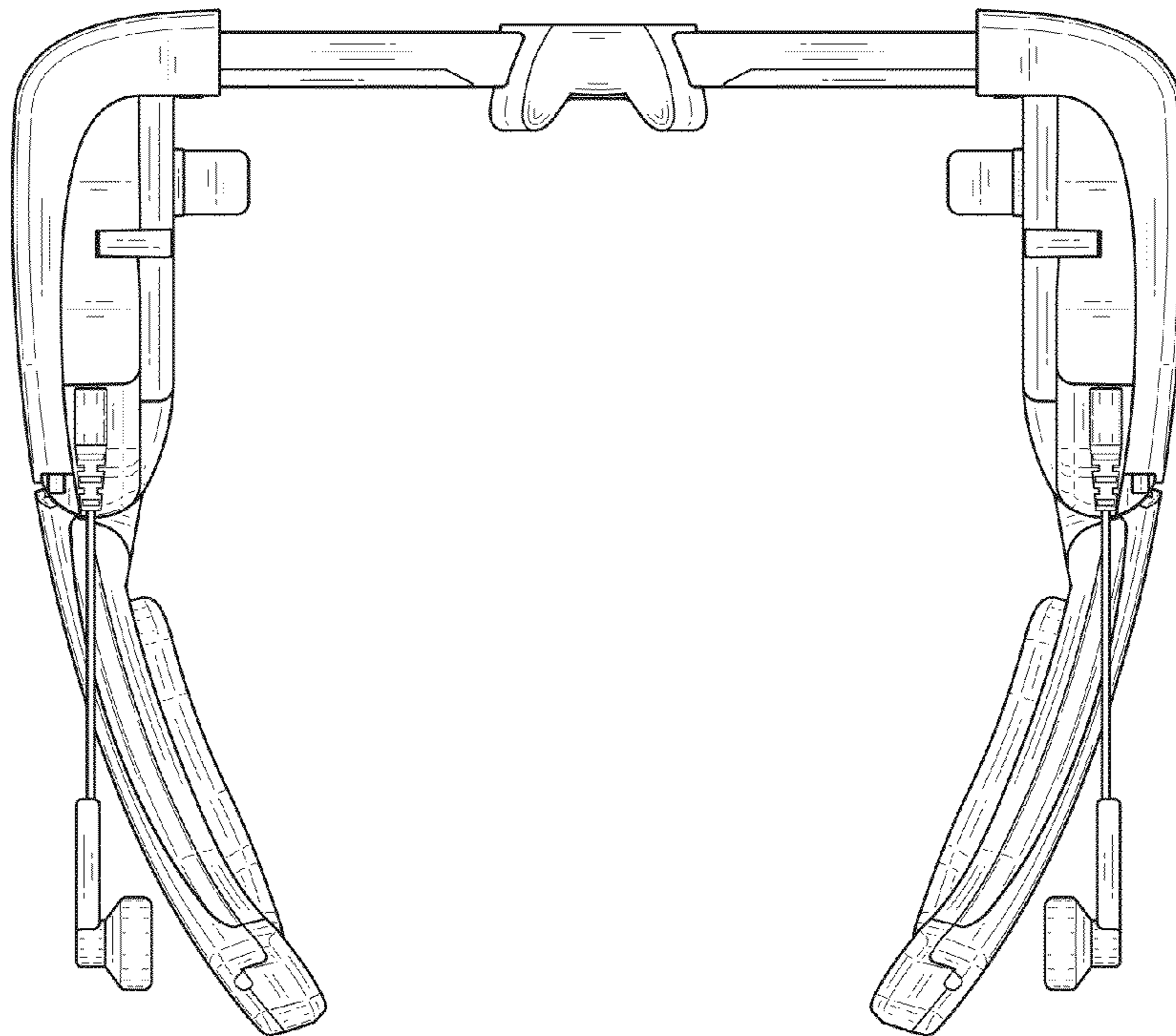


FIG. 16