



US00D704696S

(12) **United States Design Patent**
Kimura

(10) **Patent No.:** **US D704,696 S**

(45) **Date of Patent:** **** May 13, 2014**

(54) **DIGITAL AUDIO DISC PLAYER FOR AN AUTOMOBILE**

(75) Inventor: **Hideyuki Kimura**, Kanagawa (JP)

(73) Assignee: **JVC Kenwood Corporation**, Kanagawa (JP)

(**) Term: **14 Years**

(21) Appl. No.: **29/428,507**

(22) Filed: **Jul. 31, 2012**

(30) **Foreign Application Priority Data**

Mar. 15, 2012 (JP) 2012-005874

(51) **LOC (10) Cl.** **14-03**

(52) **U.S. Cl.**
USPC **D14/258**

(58) **Field of Classification Search**
USPC D12/82, 192, 195, 415; D14/131, 132, D14/137, 155, 157, 167-172, 188, 197, 198, D14/239, 257, 258, 345-355, 400, 496, D14/498-505, 511; D16/202, 206; D21/329-332, 669, 670, 696; 360/99.02, 99.07; 369/6-12, 75.11, 369/75.21, 77.11; 455/344, 348-355, 455/575.9; 720/612, 619, 649, 655

See application file for complete search history.

(56) **References Cited**

U.S. PATENT DOCUMENTS

D538,778 S * 3/2007 Shiono D14/505
D565,043 S * 3/2008 Shiono D14/258

D585,420 S * 1/2009 Suzuki D14/157
D638,415 S * 5/2011 Yokoyama D14/258
D671,520 S * 11/2012 Kanou D14/157
D672,331 S * 12/2012 Kanou D14/157
D680,094 S * 4/2013 Kanou D14/157

* cited by examiner

Primary Examiner — Prabhakar Deshmukh

Assistant Examiner — Janice Lim

(74) *Attorney, Agent, or Firm* — Osha Liang LLP

(57) **CLAIM**

The ornamental design for a digital audio disc player for an automobile, as shown and described.

DESCRIPTION

FIG. 1 is a perspective view of the front, right, and top of a digital audio disc player for an automobile showing my new design;

FIG. 2 is a front view thereof;

FIG. 3 is a rear view thereof;

FIG. 4 is a left side view thereof;

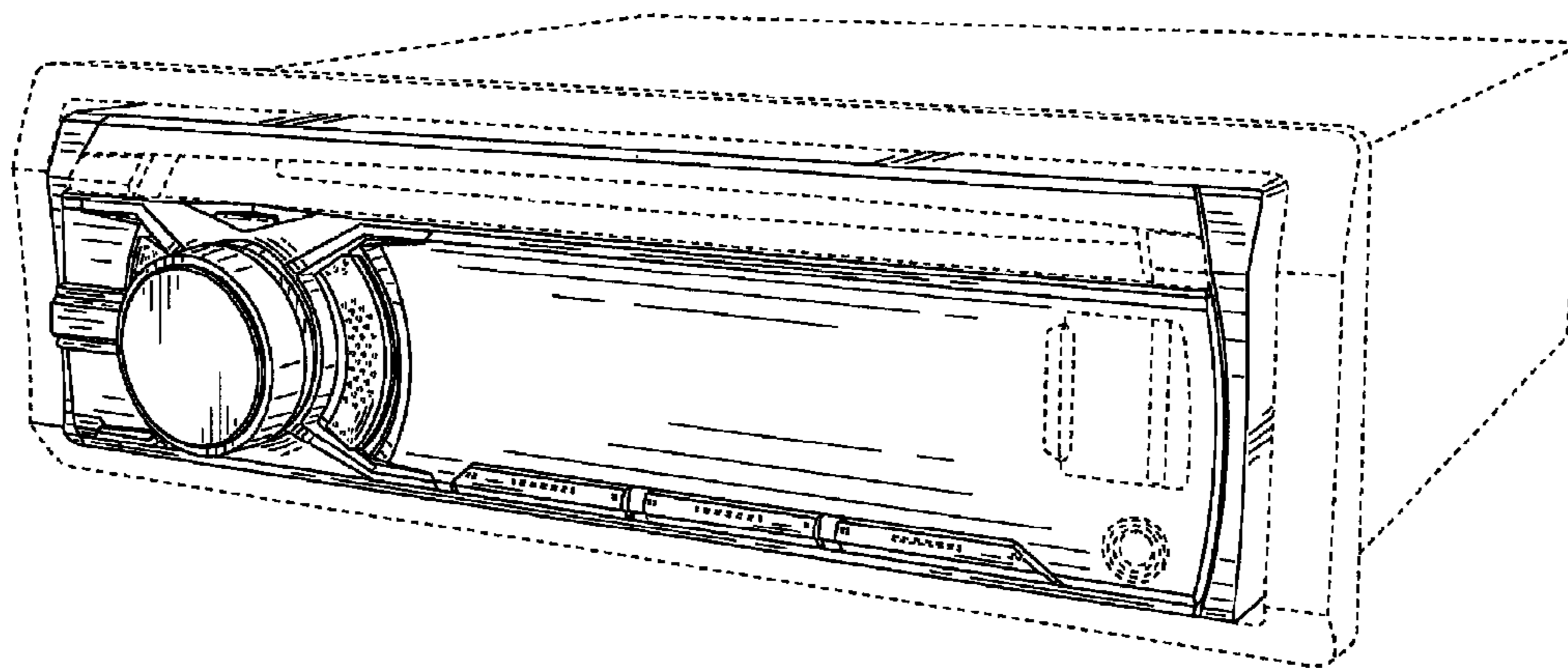
FIG. 5 is a right side view thereof;

FIG. 6 is a top view thereof; and,

FIG. 7 is a bottom view thereof.

The broken line portions of FIGS. 1-7 are included to show unclaimed subject matter only and form no part of the claimed design.

1 Claim, 4 Drawing Sheets



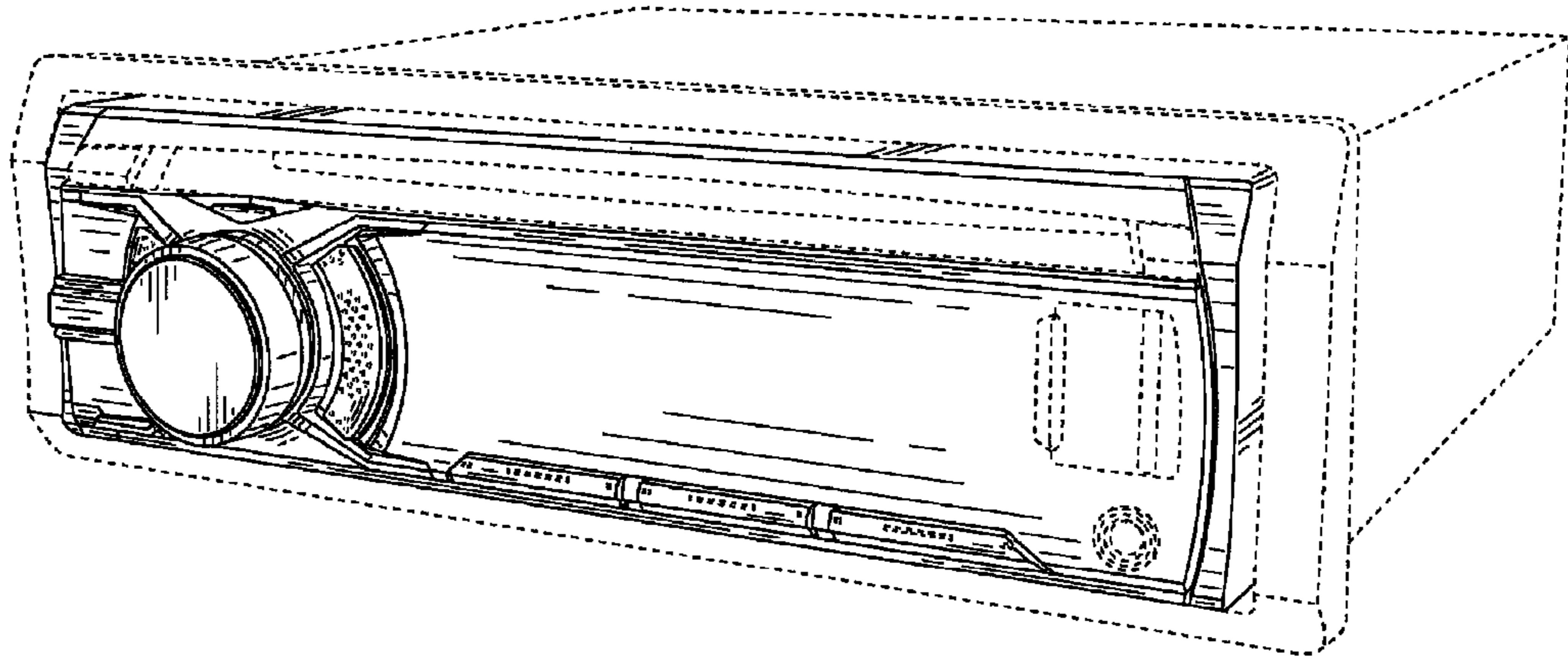


FIG. 1

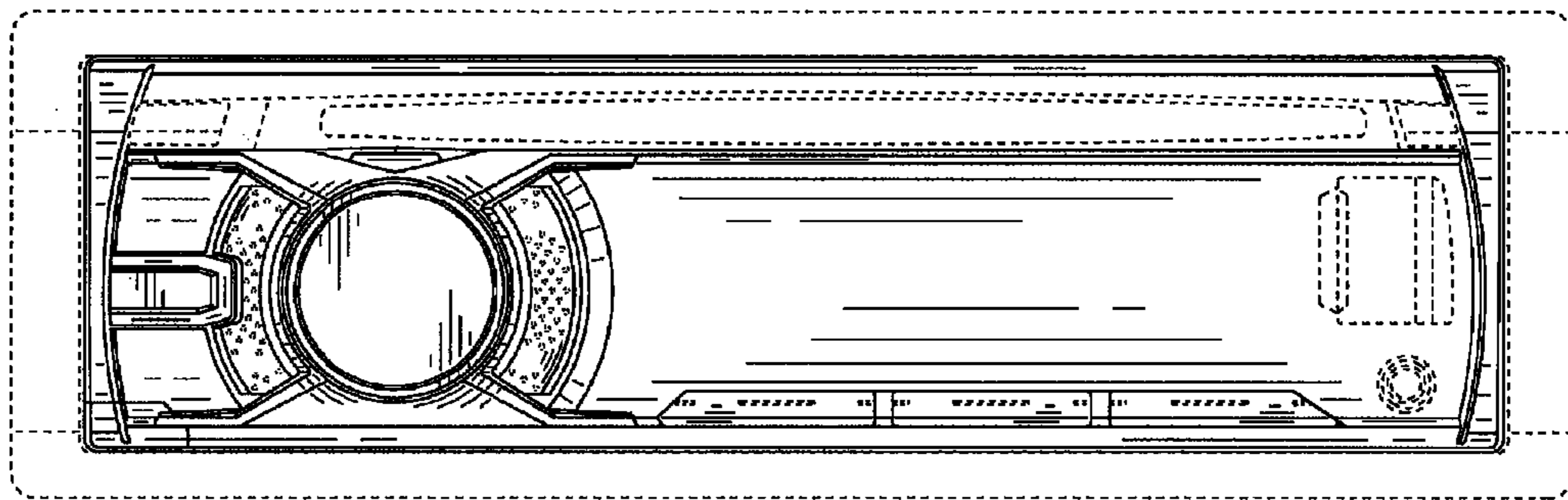


FIG. 2

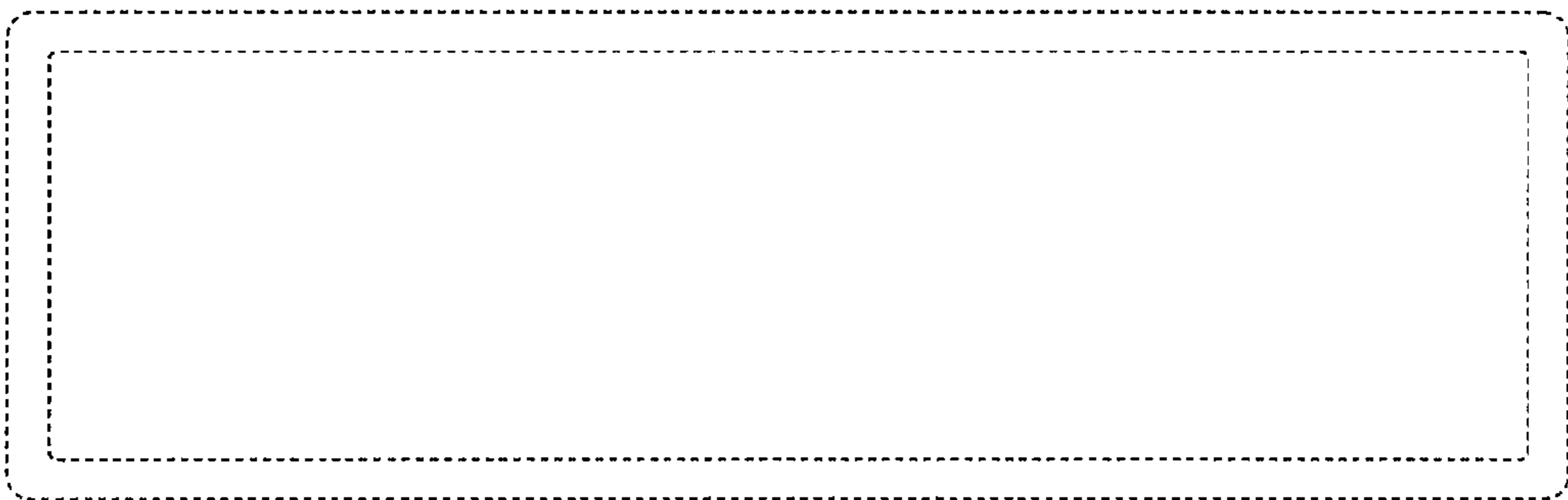


FIG. 3



FIG. 4



FIG. 5

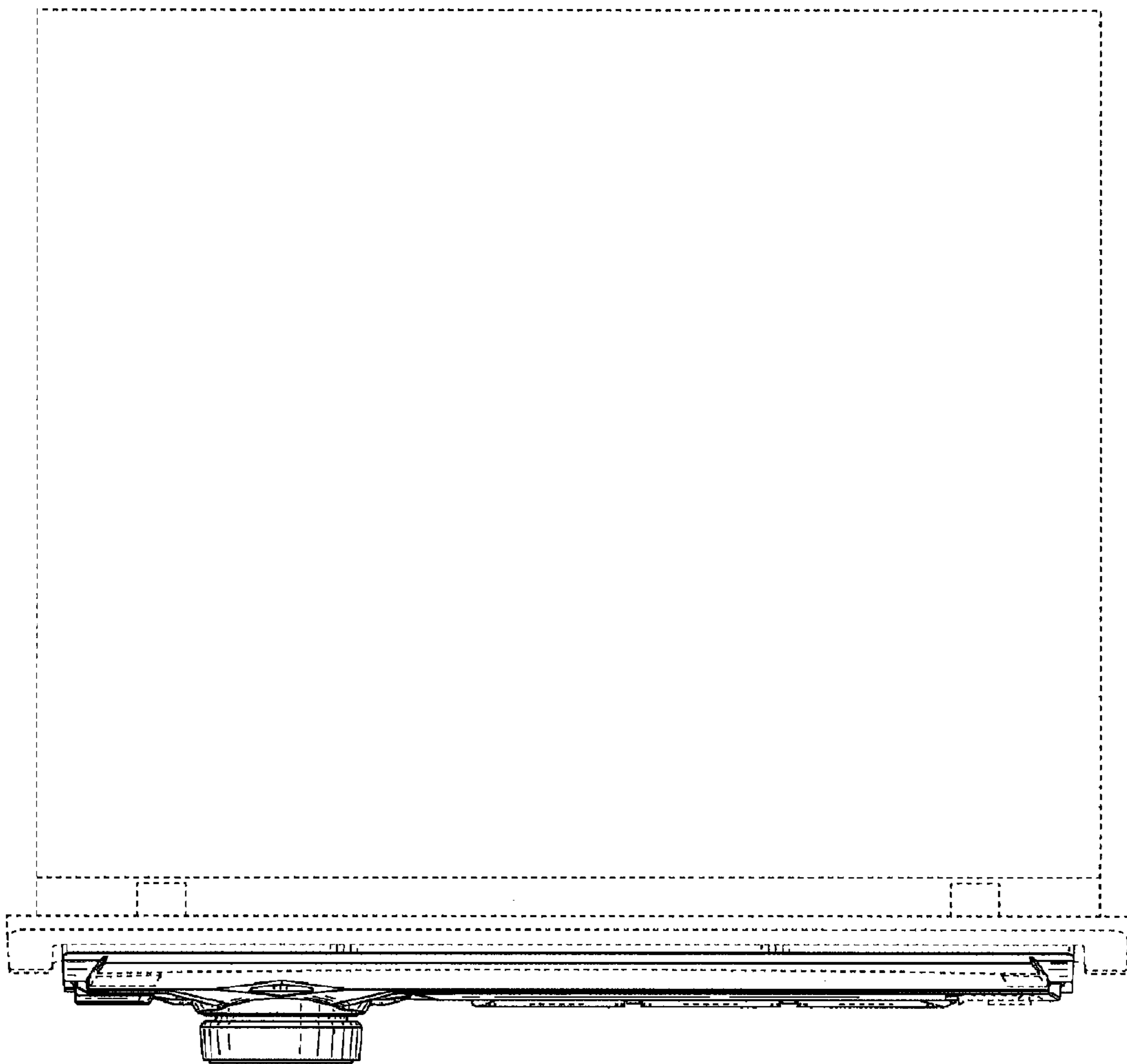


FIG. 6

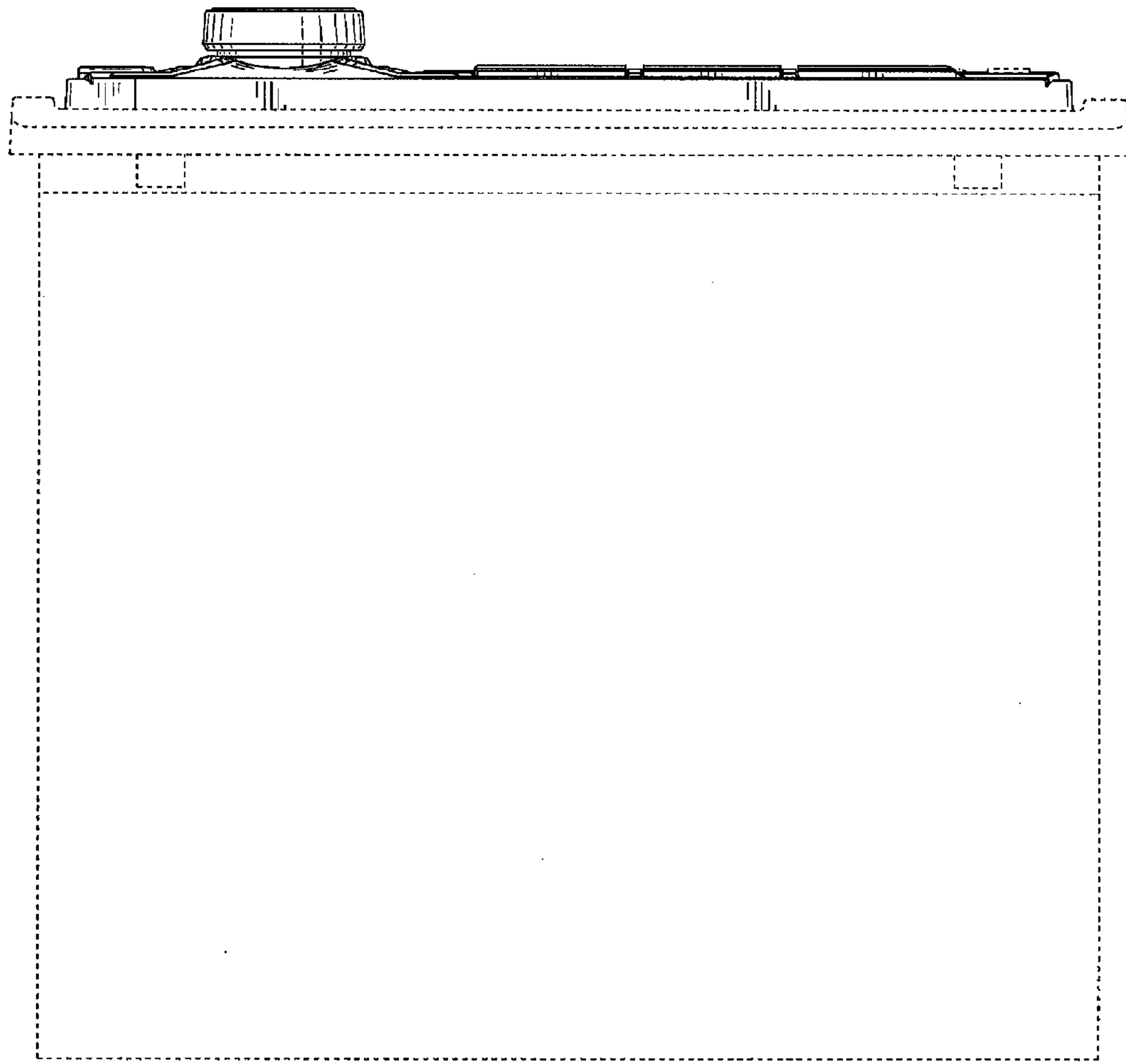


FIG. 7