



US00D704694S

(12) **United States Design Patent**  
**Takahashi**

(10) **Patent No.:** **US D704,694 S**

(45) **Date of Patent:** **\*\* May 13, 2014**

(54) **DIGITAL AUDIO DISC PLAYER FOR  
AUTOMOBILE**

(75) Inventor: **Noriyuki Takahashi**, Kanagawa (JP)

(73) Assignee: **JVC Kenwood Corporation**, Kanagawa  
(JP)

(\*\*) Term: **14 Years**

(21) Appl. No.: **29/428,487**

(22) Filed: **Jul. 31, 2012**

(30) **Foreign Application Priority Data**

Mar. 30, 2012 (JP) ..... 2012-007622

(51) **LOC (10) Cl.** ..... **14-03**

(52) **U.S. Cl.**  
USPC ..... **D14/258**

(58) **Field of Classification Search**

USPC ..... D12/82, 192, 195, 415; D14/131, 132,  
D14/137, 155, 157, 167-172, 188, 197, 198,  
D14/239, 257, 258, 345-355, 400, 496,  
D14/498-505, 511; D16/202, 206;  
D21/329-332, 669, 670, 696;  
360/99.02, 99.07; 369/6-12, 75.11,  
369/75.21, 77.11; 455/344, 348-355,  
455/575.9; 720/612, 619, 649, 655

See application file for complete search history.

(56) **References Cited**

U.S. PATENT DOCUMENTS

D565,043	S	*	3/2008	Shiono	.....	D14/258
D571,349	S	*	6/2008	Endo et al.	.....	D14/157
D572,231	S	*	7/2008	Endo et al.	.....	D14/157
D585,420	S	*	1/2009	Suzuki	.....	D14/157
D604,287	S	*	11/2009	Kimura et al.	.....	D14/258
D637,993	S	*	5/2011	Yamamoto	.....	D14/157
D638,415	S	*	5/2011	Yokoyama	.....	D14/258
D672,743	S	*	12/2012	Suzuki et al.	.....	D14/157

\* cited by examiner

*Primary Examiner* — Prabhakar Deshmukh

*Assistant Examiner* — Janice Lim

(74) *Attorney, Agent, or Firm* — Osha Liang LLP

(57) **CLAIM**

The ornamental design for a digital audio disc player for automobile, as shown and described.

**DESCRIPTION**

FIG. 1 is a perspective view of the front, right, and top of a digital audio disc player for automobile, showing my new design;

FIG. 2 is a front view thereof;

FIG. 3 is a rear view thereof;

FIG. 4 is a left side view thereof;

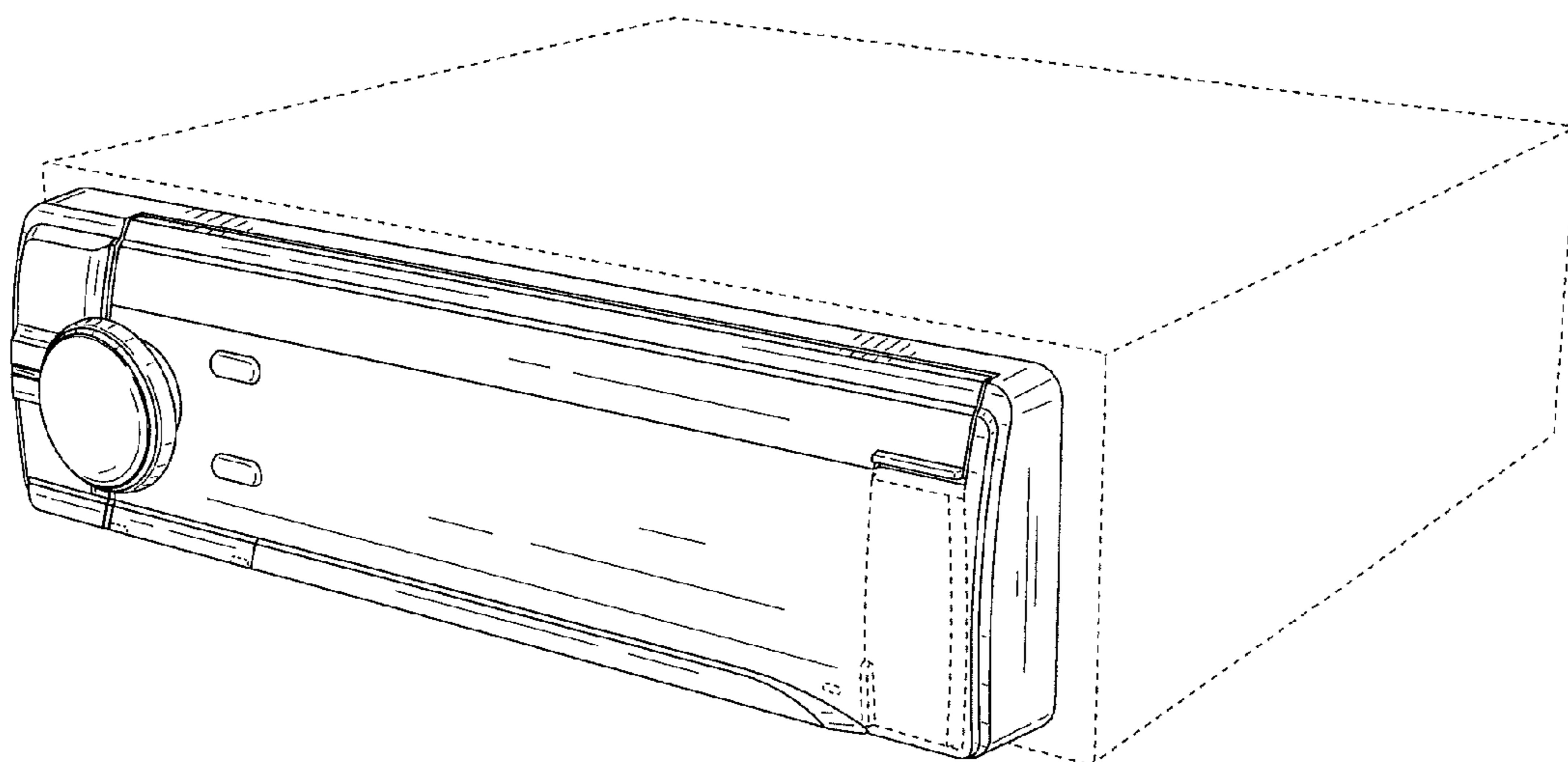
FIG. 5 is a right side view thereof;

FIG. 6 is a top view thereof; and,

FIG. 7 is a bottom view thereof.

The broken line portions of FIGS. 1-7 are included to show unclaimed subject matter only and form no part of the claimed design.

**1 Claim, 4 Drawing Sheets**



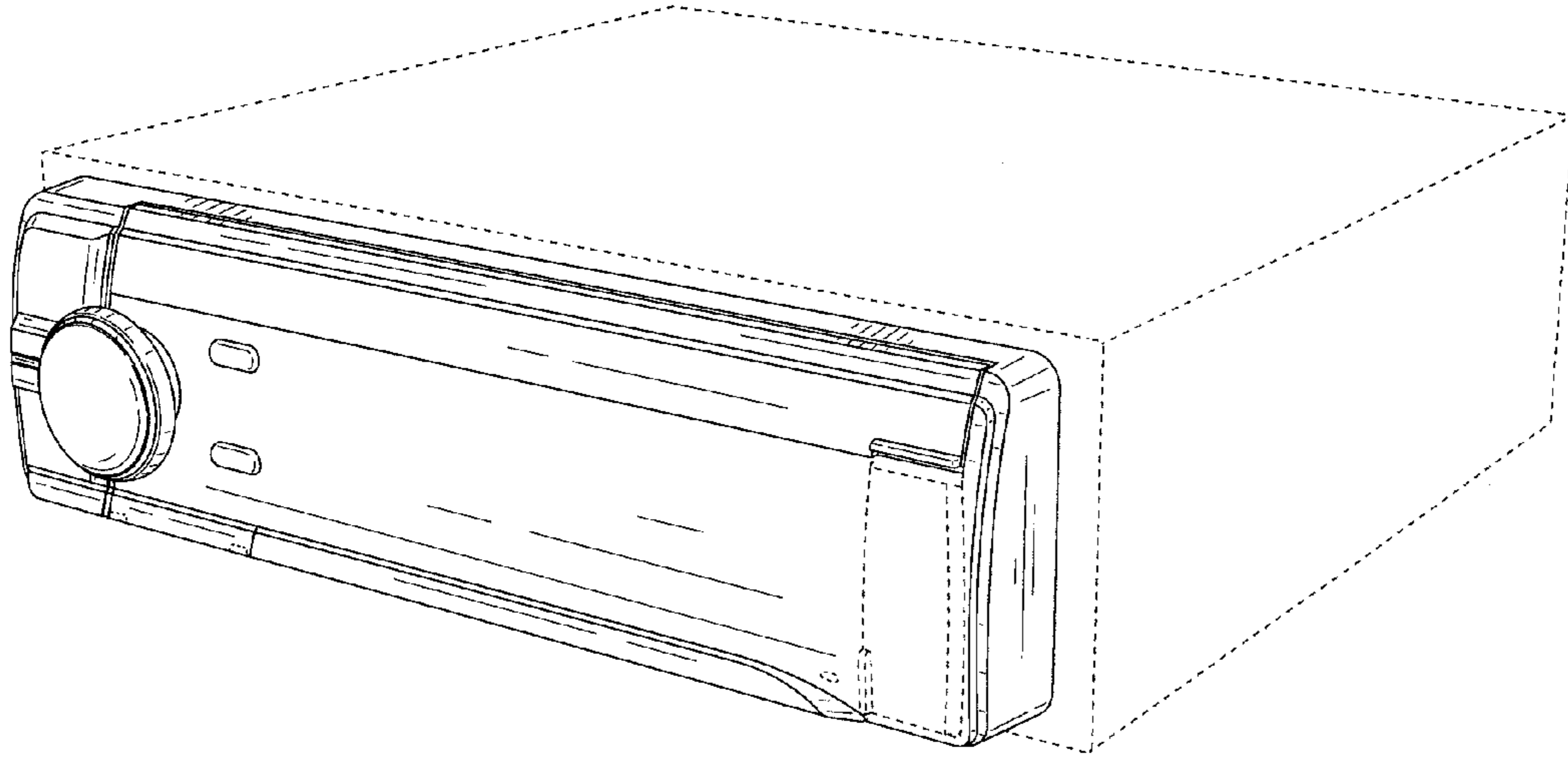


FIG. 1

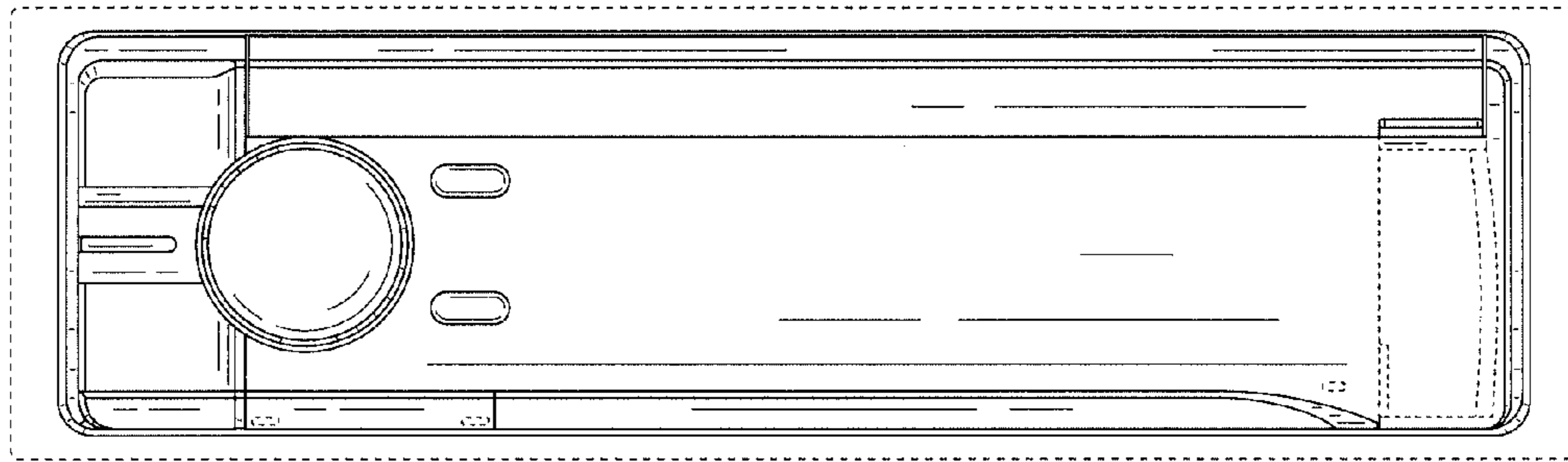


FIG. 2



FIG. 3



FIG. 4



FIG. 5

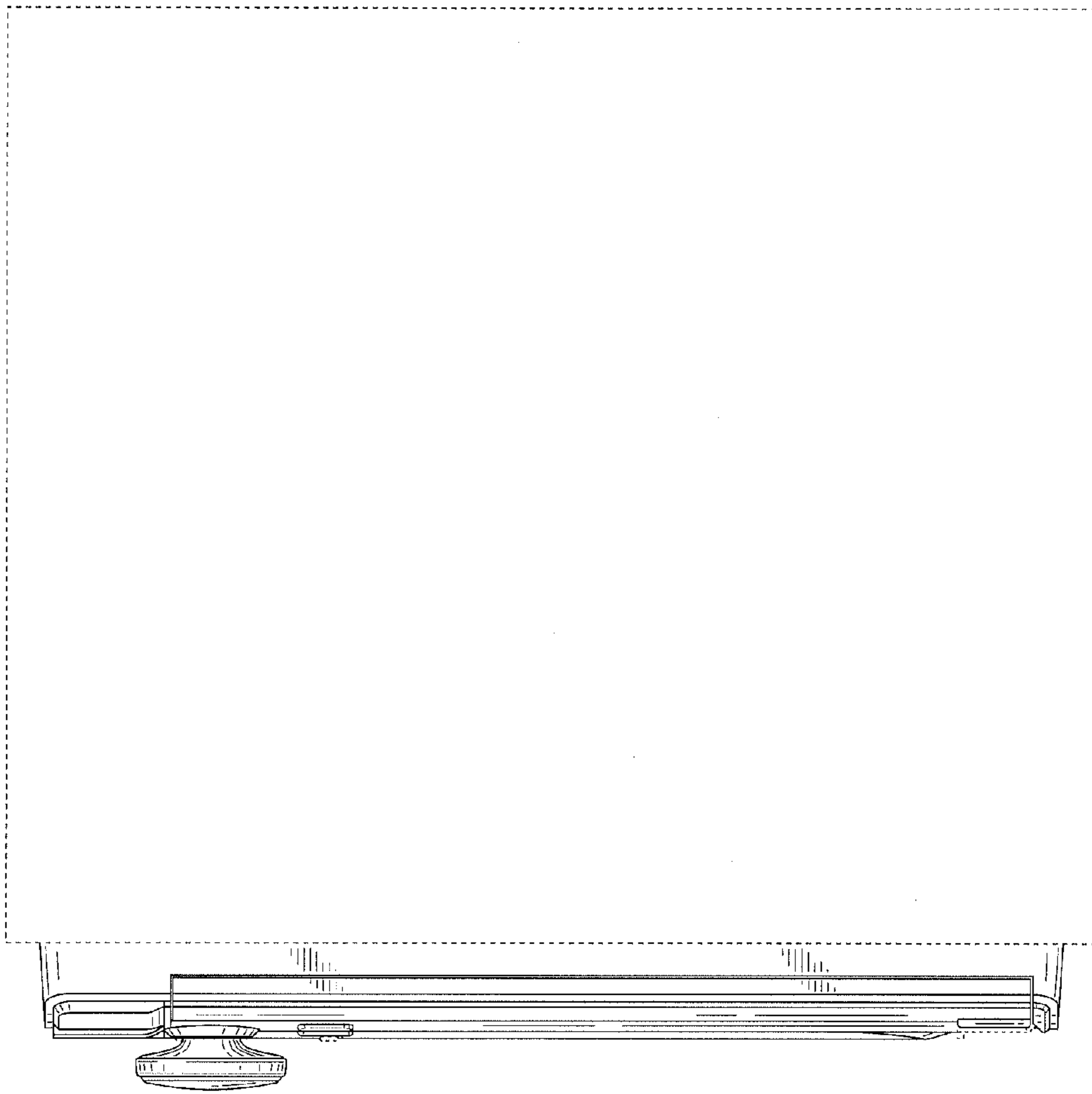


FIG. 6

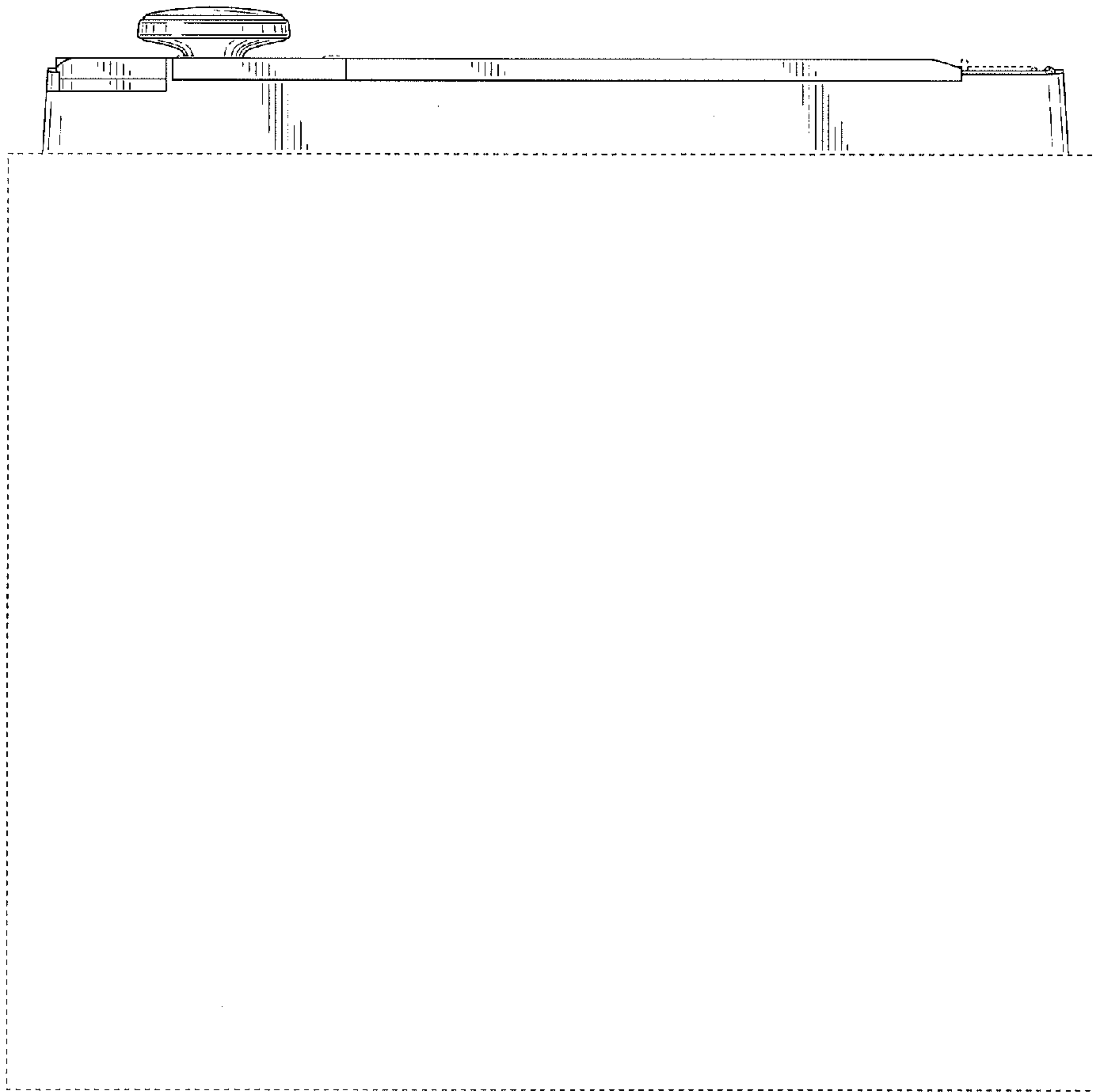


FIG. 7