



US00D704692S

(12) **United States Design Patent**
Kim

(10) **Patent No.:** **US D704,692 S**
(45) **Date of Patent:** **** May 13, 2014**

(54) **CASE FOR ELECTRONIC DEVICE**

(71) Applicant: **Samsung Electronics Co., Ltd.**,
Suwon-si (KR)

(72) Inventor: **Yoon-Young Kim**, Seongnam-Si (KR)

(73) Assignee: **Samsung Electronics Co., Ltd.**,
Suwon-si (KR)

(**) Term: **14 Years**

(21) Appl. No.: **29/448,664**

(22) Filed: **Mar. 13, 2013**

(51) **LOC (10) Cl.** **14-03**

(52) **U.S. Cl.**
USPC **D14/250**

(58) **Field of Classification Search**
USPC D14/250–253, 440, 203.3–203.7, 217,
D14/496, 248, 238.1, 240, 447, 341–347,
D14/444; D13/103, 107–108, 119; D3/201,
D3/218, 269, 273, 301, 303, 247–253;
248/309.1, 371, 176.3, 668;
361/679.56, 679.3, 679.25, 816;
379/426, 433.11, 455; 455/575.1,
455/575.8; 206/305, 320; 320/108, 115;
429/96; 220/4.02; 150/165; 16/225;
D19/26, 32

See application file for complete search history.

(56) **References Cited**

U.S. PATENT DOCUMENTS

2,331,512	A *	10/1943	Siedschlag	16/225
D138,100	S *	6/1944	Renz	D3/250
D179,097	S *	10/1956	Smith	D3/252
3,460,282	A *	8/1969	Swirsky	40/530
D216,173	S *	11/1969	Kogutt	D3/249
D241,280	S *	8/1976	Price	D3/251
4,131,971	A *	1/1979	Saarloos	16/225
5,015,028	A *	5/1991	Bonnett	160/231.1
D346,618	S *	5/1994	Holmes	D19/32
D360,221	S *	7/1995	Wu	D19/32

5,729,867	A *	3/1998	Carmichael	16/225
D404,567	S *	1/1999	Akutsu	D3/250
D487,050	S *	2/2004	Hassett	D12/417
6,772,479	B2 *	8/2004	Hinkley et al.	16/225
D496,066	S *	9/2004	Ara	D19/26
D551,846	S *	10/2007	Ko et al.	D3/201
7,328,480	B2 *	2/2008	Schoemann	16/225
D564,020	S *	3/2008	Brown	D19/26
D582,405	S *	12/2008	Andre et al.	D3/299
D593,749	S *	6/2009	Holzner et al.	D3/247

(Continued)

OTHER PUBLICATIONS

Dark chocolate bifold leather iPhone wallet by AwesomeWomen, webpage copyright 2013, <URL:http://www.etsy.com/listing/93265653/dark-chocolate-bifold-leather-iphone>, retrieved from internet on Jul. 26, 2013.*

(Continued)

Primary Examiner — Carla Jobe Wright
(74) *Attorney, Agent, or Firm* — NSIP Law

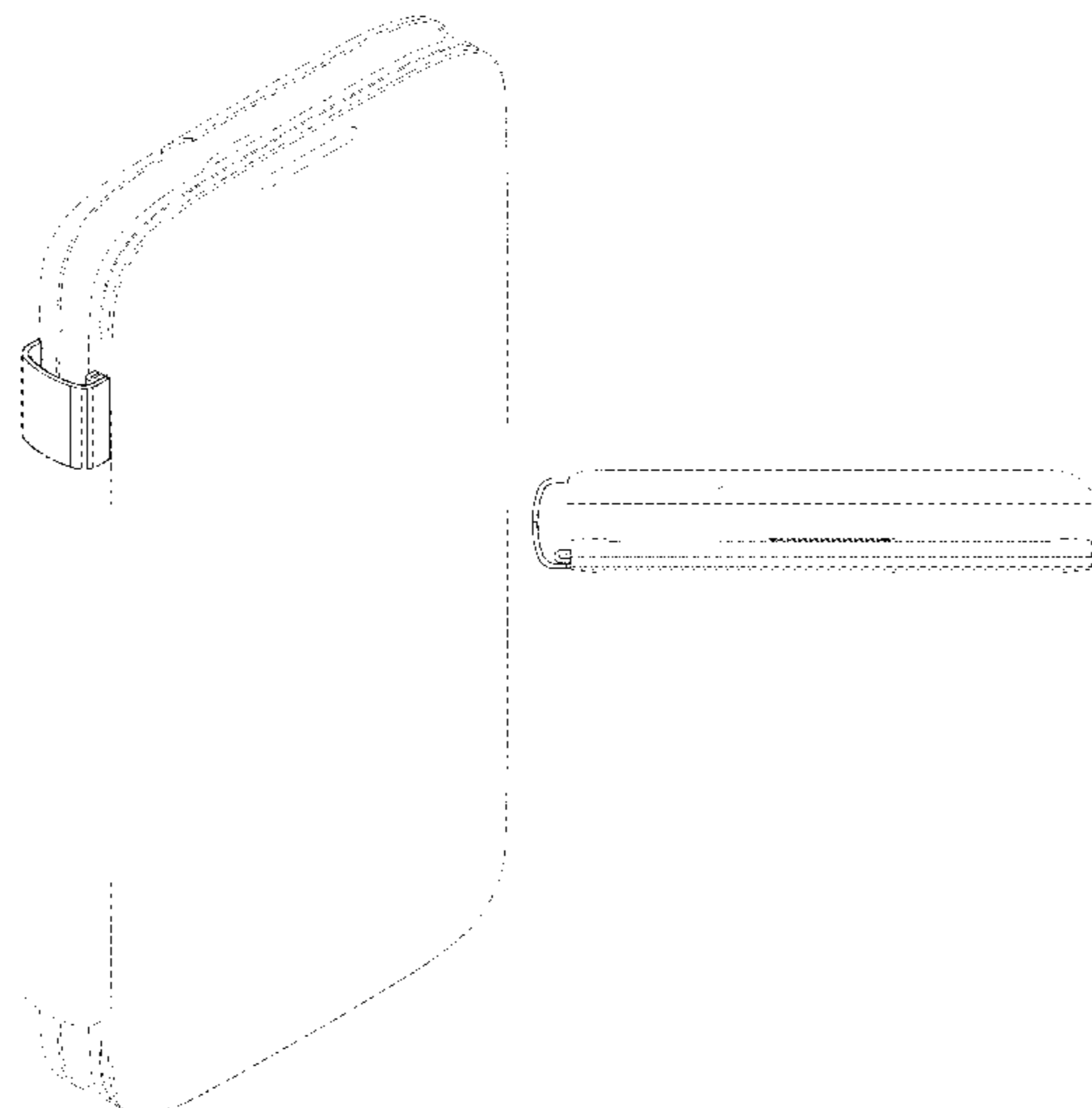
(57) **CLAIM**

The ornamental design for a case for electronic device, as shown and described.

DESCRIPTION

FIG. 1 is a front perspective view of a case for electronic device showing our new design; FIG. 2 is a front view thereof; FIG. 3 is a rear view thereof; FIG. 4 is a left-side view thereof; FIG. 5 is a right-side view thereof; FIG. 6 is a top plan view thereof; FIG. 7 is a bottom plan view thereof; FIG. 8 is an open perspective view thereof; and, FIG. 9 is an open rear perspective view thereof. The unclaimed dot-dash lines show the boundary of the claimed design. The dash-dash broken lines depict unclaimed environment.

1 Claim, 7 Drawing Sheets



(56)

References Cited

U.S. PATENT DOCUMENTS

D652,829 S * 1/2012 Kim et al. D14/250
D678,260 S * 3/2013 Bau D14/250
D685,799 S * 7/2013 Canizares et al. D14/440
2002/0133906 A1 * 9/2002 Fedon 16/225
2007/0283529 A1 * 12/2007 Hashizume et al. 16/225
2013/0165190 A1 * 6/2013 Ko et al. 455/575.8

OTHER PUBLICATIONS

Dark chocolate bifold leather iPhone wallet by AwesomeWomen, 1 capture on Jun. 28, 2013, <URL:<http://web.archive.org/web/20130628032413/http://www.etsy.com/listing/93265653/dark-chocolate-bifold-leather-iphone>>, retrieved from internet on Jul. 26, 2013.*

* cited by examiner

FIG. 1

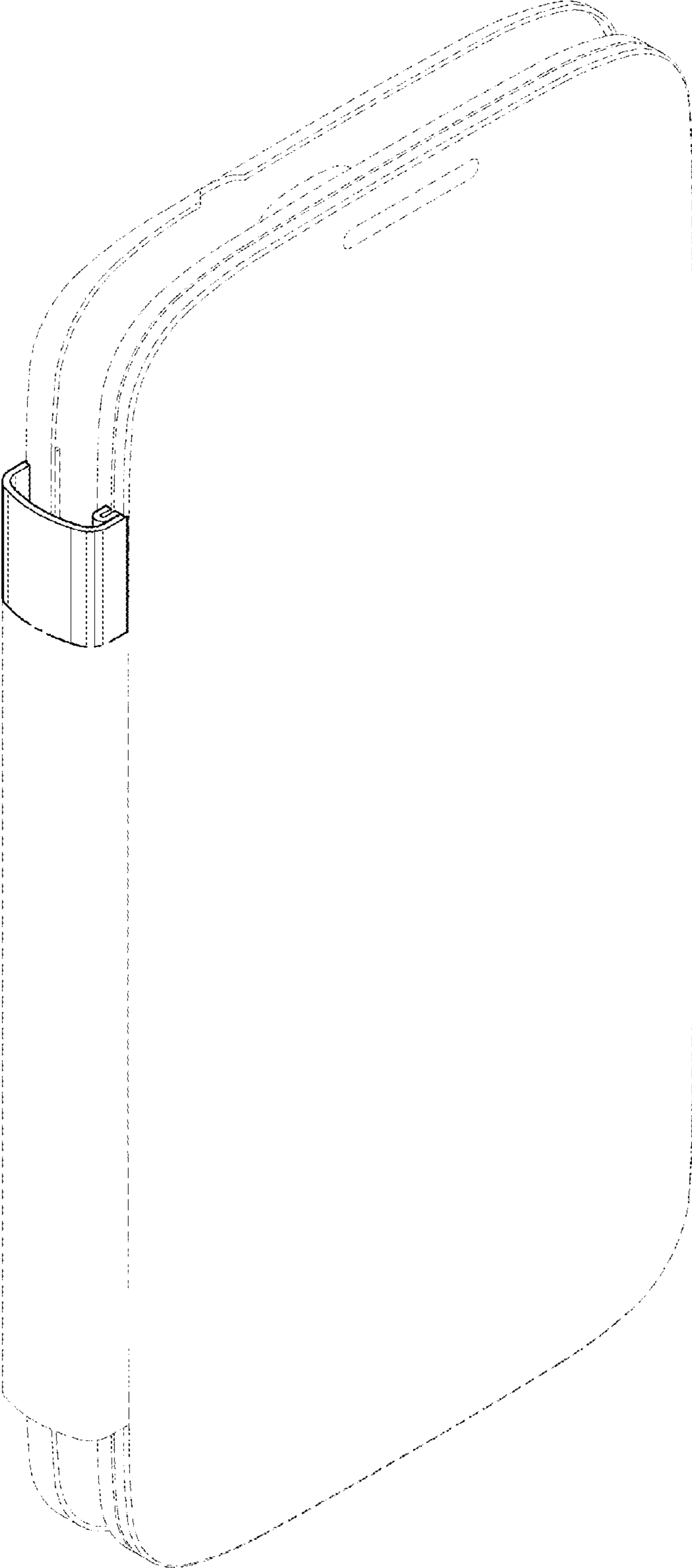


FIG. 2

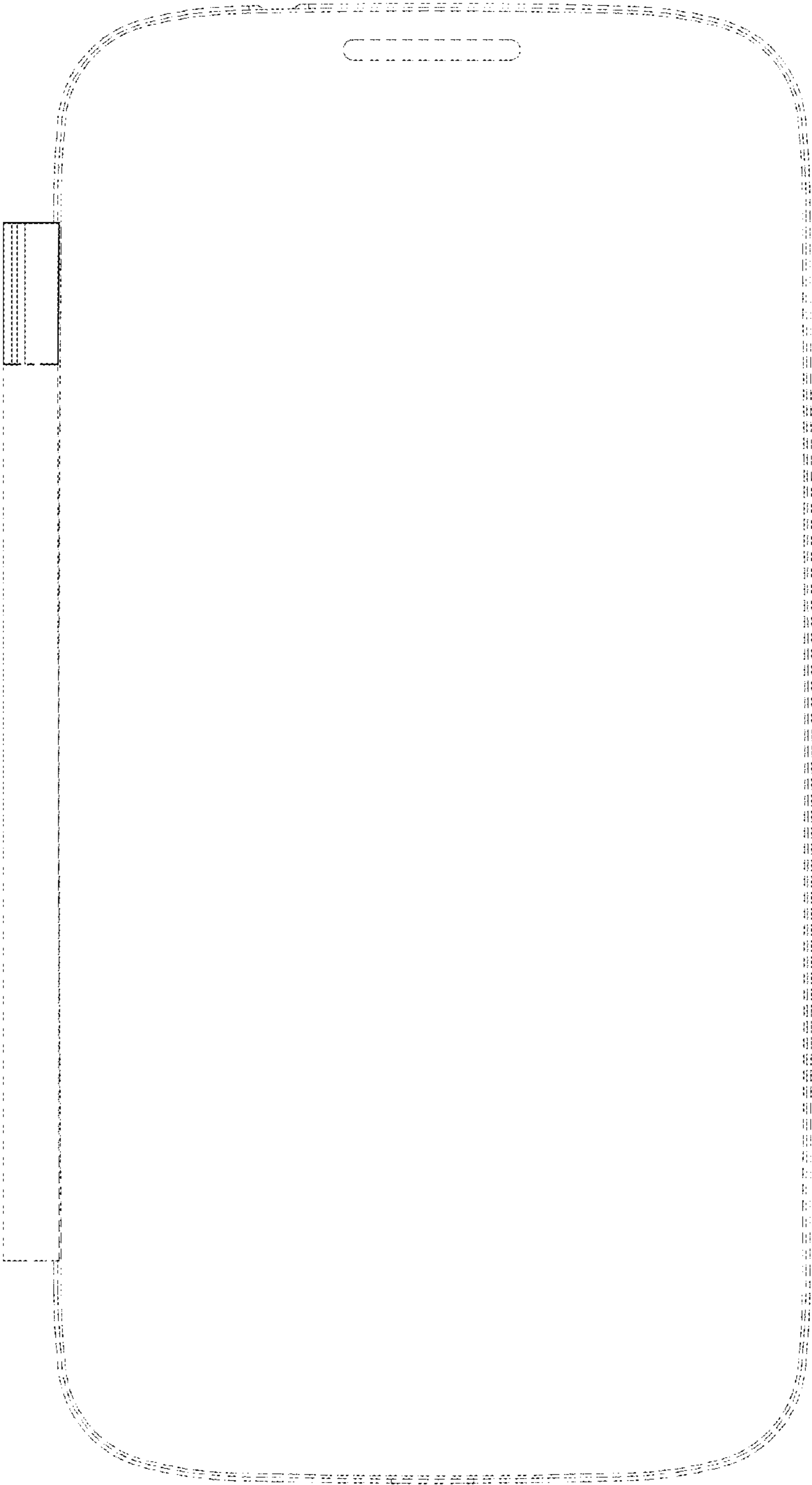


FIG. 3

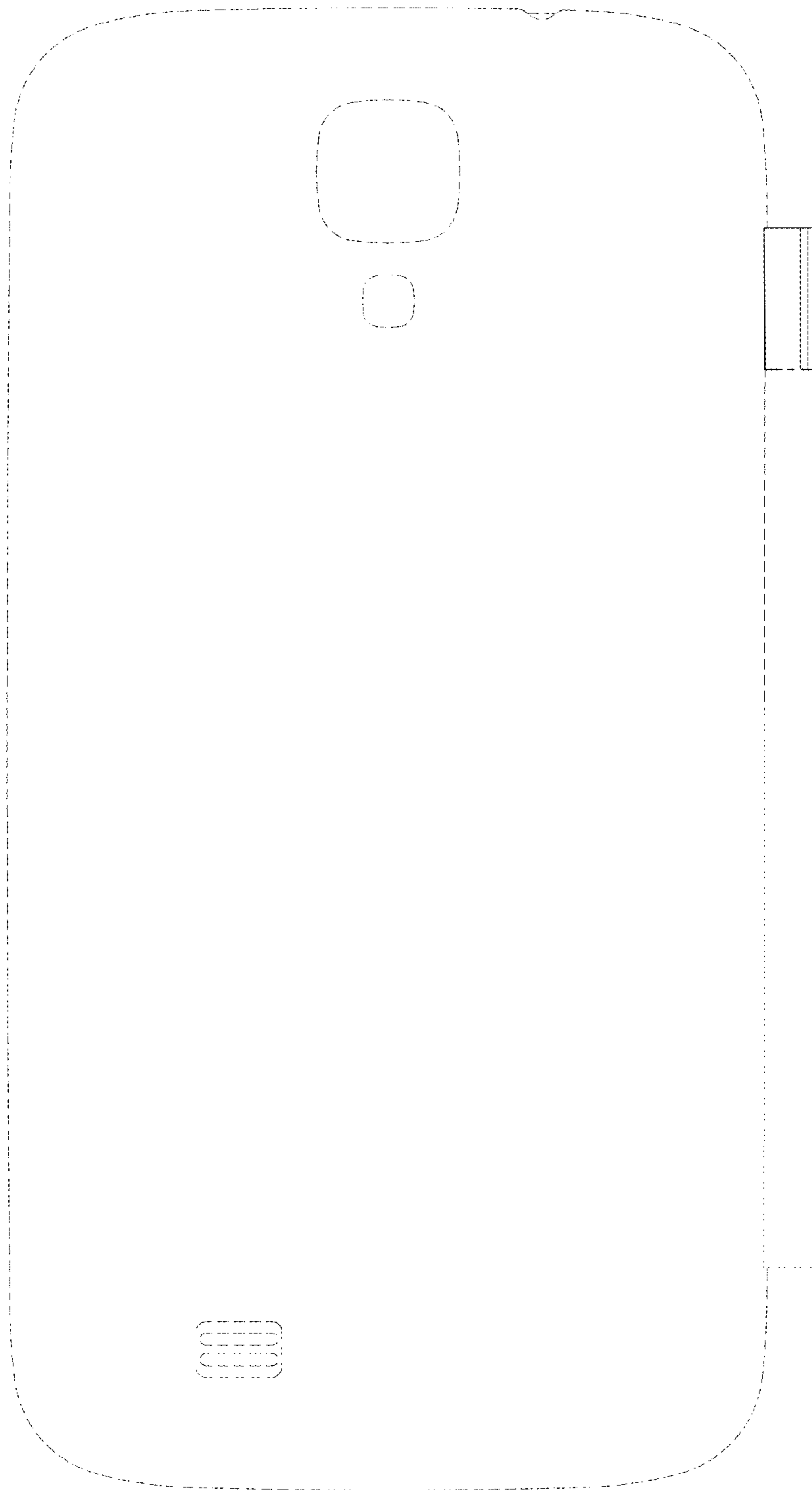


FIG. 4



FIG. 5

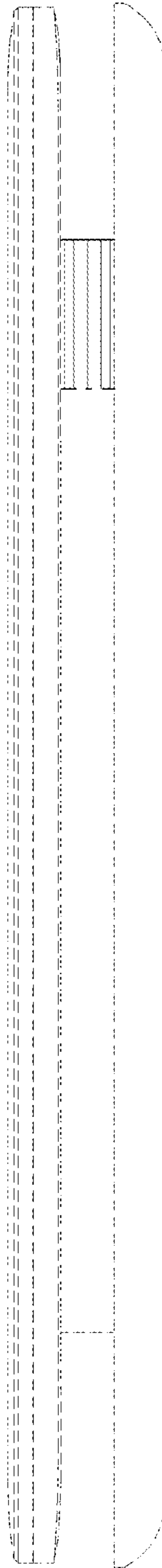


FIG. 6

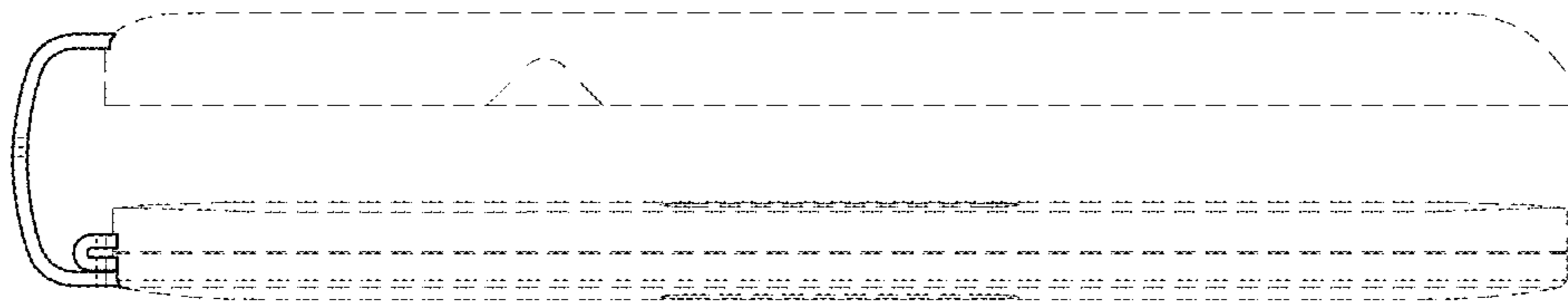


FIG. 7

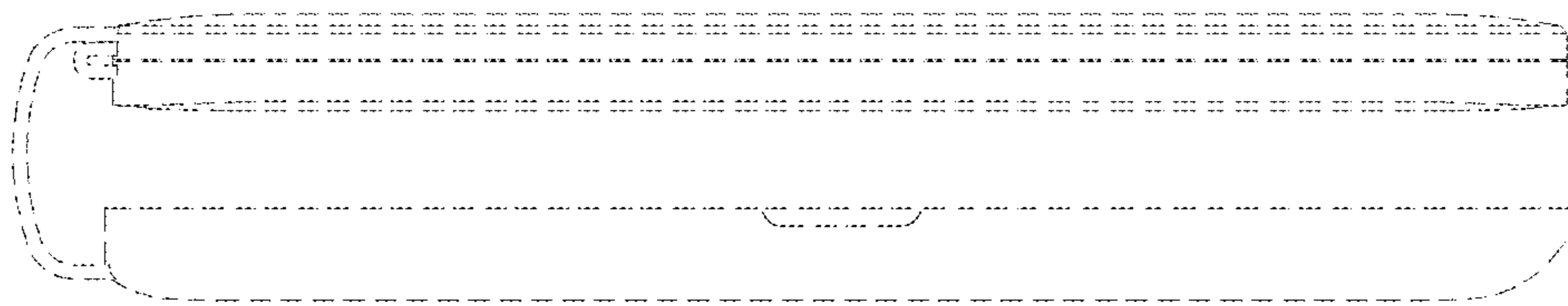


FIG. 8

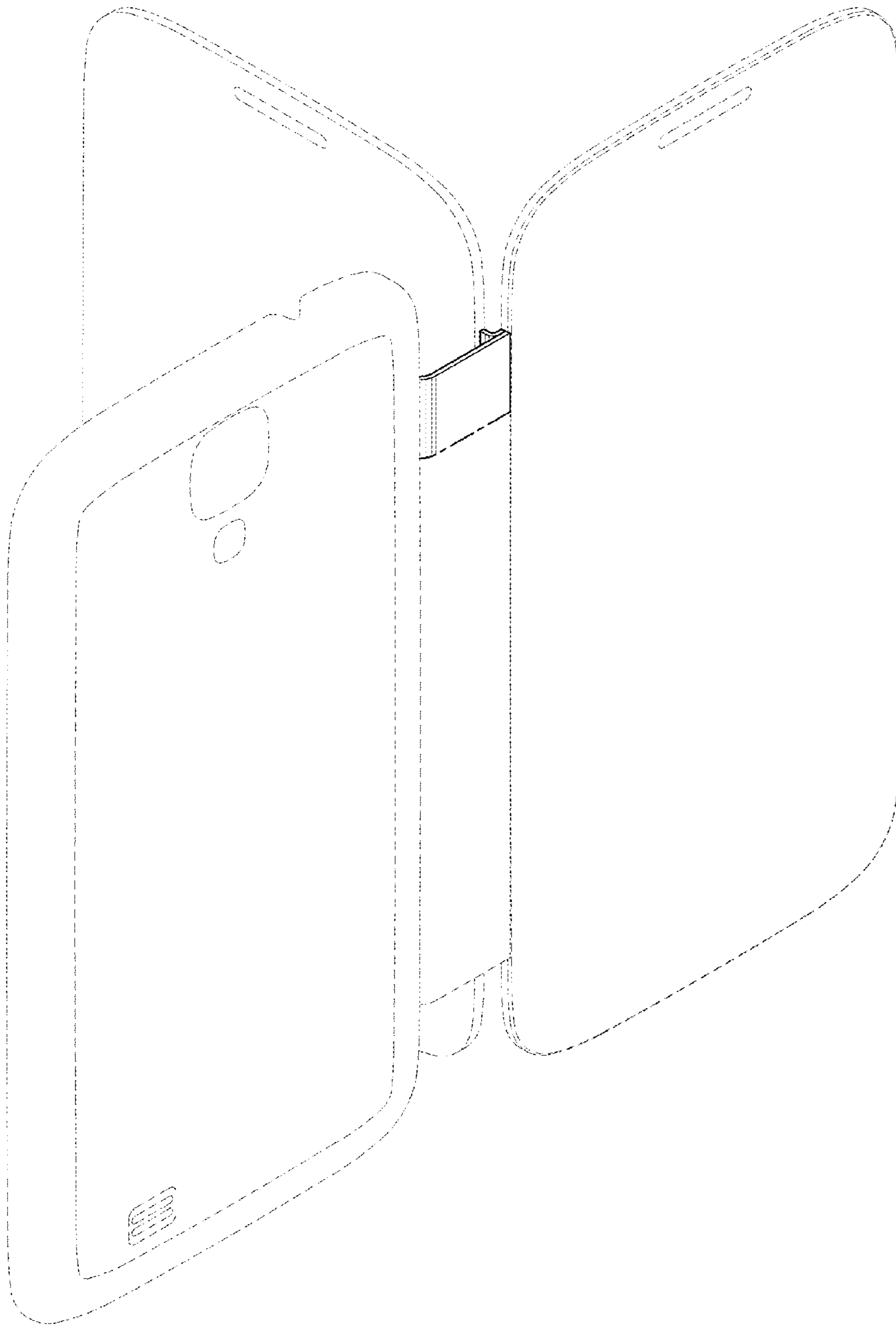


FIG. 9

