



US00D704689S

(12) **United States Design Patent**  
**Chang**

(10) **Patent No.:** **US D704,689 S**

(45) **Date of Patent:** **\*\* May 13, 2014**

(54) **PROTECTING CASE FOR PORTABLE ELECTRONIC DEVICE**

(71) Applicant: **Yin-Li Chang**, New Taipei (TW)

(72) Inventor: **Yin-Li Chang**, New Taipei (TW)

(73) Assignee: **Chi Mei Communication Systems, Inc.**, New Taipei (TW)

(\*\*) Term: **14 Years**

(21) Appl. No.: **29/433,225**

(22) Filed: **Sep. 27, 2012**

(30) **Foreign Application Priority Data**

Sep. 19, 2012 (CN) ..... 2013 3 04485709

(51) **LOC (10) Cl.** ..... **14-03**

(52) **U.S. Cl.**  
USPC ..... **D14/250**; D3/218

(58) **Field of Classification Search**  
USPC ..... D14/250–253, 440, 203.3–203.7, 217, D14/496, 248, 238.1, 240, 447, 341–347, D14/444; D13/103, 107–108, 119; D3/201, D3/218, 247, 269, 273, 301, 303; 248/176.3, 188.8, 309.1, 371, 668; 361/220, 379.01, 679.01, 679.02, 361/679.09, 679.21, 679.25, 679.3, 679.4, 361/679.56, 679.57, 759, 807, 816; 379/433.11, 451, 455; 455/556.1, 557, 455/566, 575.1, 575.2, 575.8; 206/37, 45.2, 206/305, 320, 216; 320/108, 115; 429/96; 220/4.02; 150/165; 174/50; 235/41, 235/375, 462; 312/223.1; 396/535

See application file for complete search history.

(56) **References Cited**

**U.S. PATENT DOCUMENTS**

D302,075 S \* 7/1989 Burger ..... D3/218  
D322,719 S \* 12/1991 Jayez ..... D3/218  
D407,215 S \* 3/1999 Garrett, III ..... D3/218

D416,132 S \* 11/1999 Tan ..... D3/218  
6,772,879 B1 \* 8/2004 Domotor ..... 206/45.23  
D527,893 S \* 9/2006 Martz ..... D3/218  
D549,449 S \* 8/2007 Malhotra ..... D3/218

(Continued)

*Primary Examiner* — Carla Jobe Wright

(74) *Attorney, Agent, or Firm* — Novak Druce Connolly Bove + Quigg LLP

(57) **CLAIM**

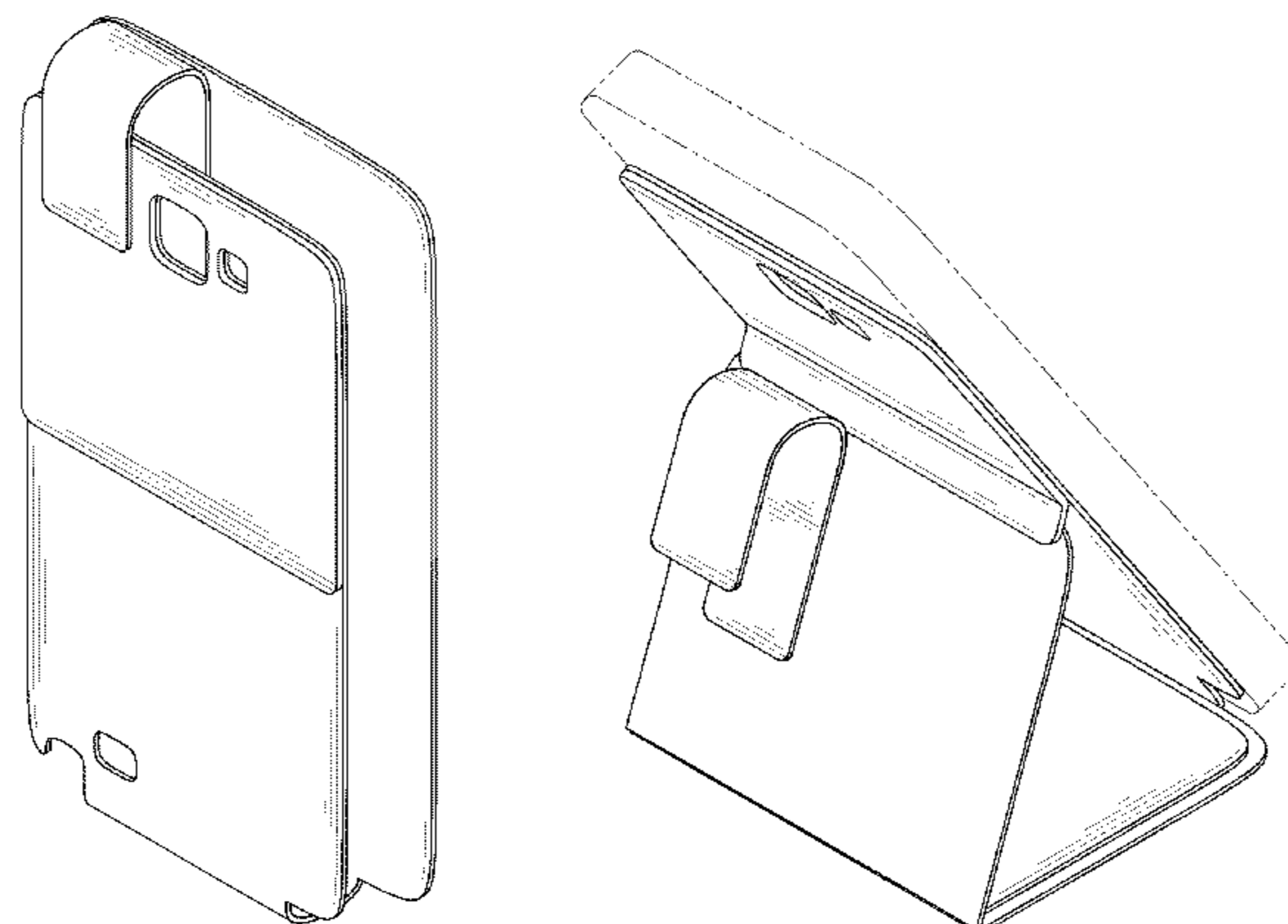
The ornamental design for a protecting case for portable electronic device, as shown and described.

**DESCRIPTION**

FIG. 1 is a perspective view of a protecting case for portable electronic device showing my new design;  
FIG. 2 is a front elevational view of the protecting case for portable electronic device;  
FIG. 3 is a rear elevational view of the protecting case for portable electronic device;  
FIG. 4 is a left side elevational view of the protecting case for portable electronic device;  
FIG. 5 is a right side elevational view of the protecting case for portable electronic device;  
FIG. 6 is a top plan view of the protecting case for portable electronic device;  
FIG. 7 is a bottom plan view of the protecting case for portable electronic device;  
FIG. 8 is a perspective view of the protecting case for portable electronic device in a receiving state;  
FIG. 9 is a perspective view of the protecting case for portable electronic device as shown in FIG. 8 receiving a portable electronic device;  
FIG. 10 is a perspective view of the protecting case for portable electronic device in a folded state; and,  
FIG. 11 is perspective views of the protecting case for portable electronic device as shown in FIG. 10 supporting a portable electronic device.

The broken lines of all the figures are for the purpose of illustrating environment and form no part of the claimed design.

**1 Claim, 11 Drawing Sheets**



(56)

**References Cited**

U.S. PATENT DOCUMENTS

D557,894 S \* 12/2007 Yeo ..... D3/218  
D559,532 S \* 1/2008 Kwak et al. .... D3/218  
D561,463 S \* 2/2008 Malhotra ..... D3/218  
D615,299 S \* 5/2010 Agarwal et al. .... D3/269

7,735,644 B2 \* 6/2010 Sirichai et al. .... 206/320  
D654,265 S \* 2/2012 Roy ..... D3/218  
D659,383 S \* 5/2012 Phillips et al. .... D3/218  
D661,893 S \* 6/2012 Phillips et al. .... D3/218  
8,382,059 B2 \* 2/2013 Le Gette et al. .... 248/460  
D684,960 S \* 6/2013 Murchison et al. .... D14/250  
D684,961 S \* 6/2013 Murchison et al. .... D14/250  
\* cited by examiner

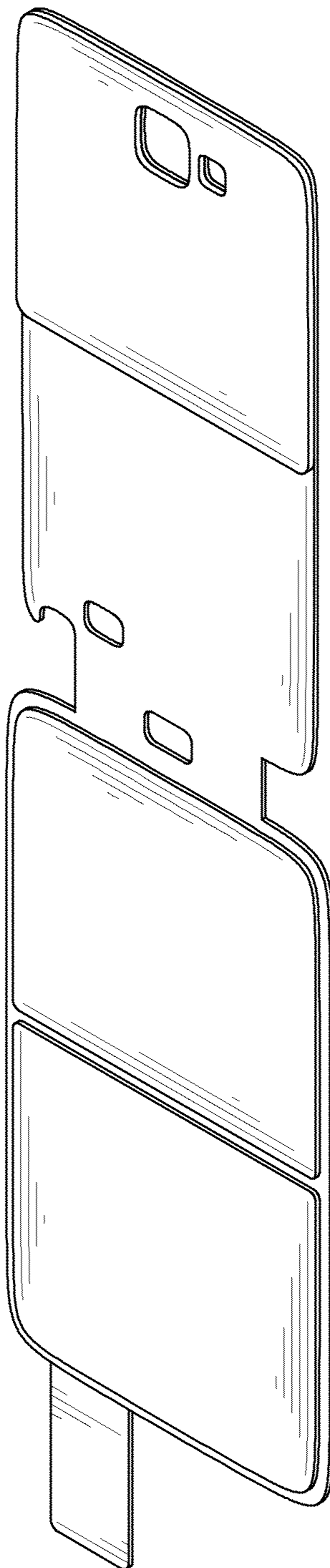


FIG. 1

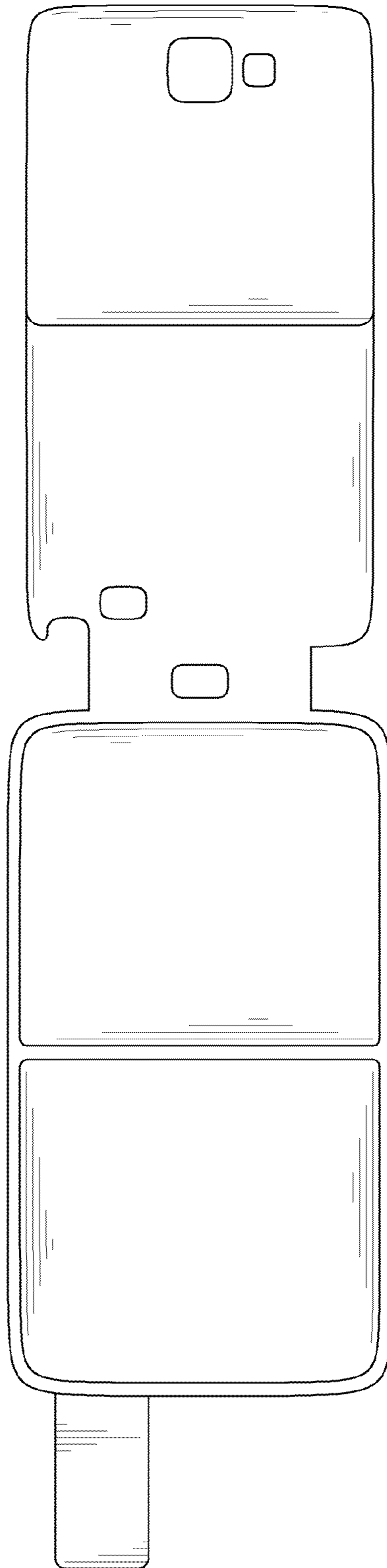


FIG. 2

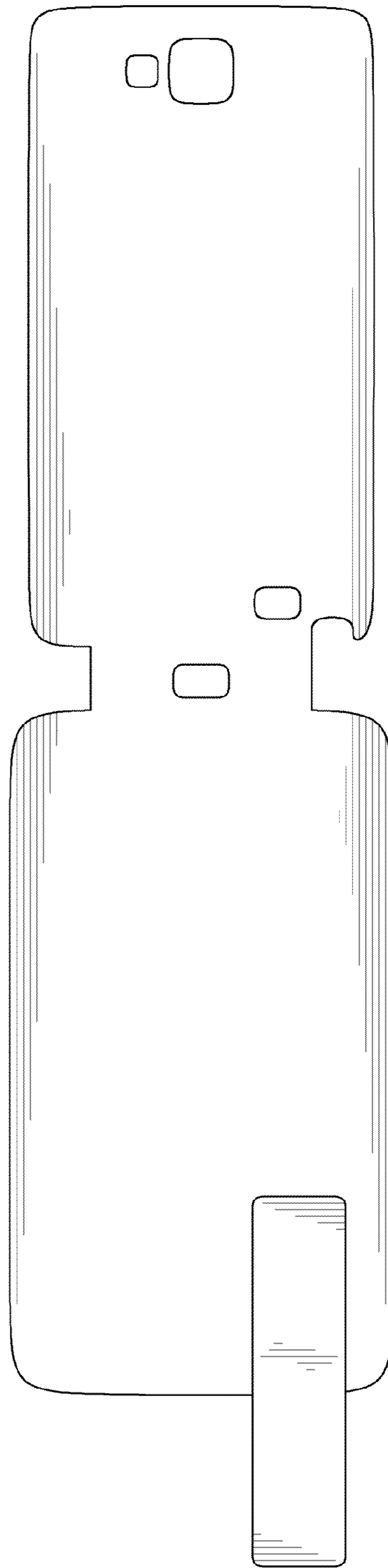


FIG. 3



FIG. 4



FIG. 5

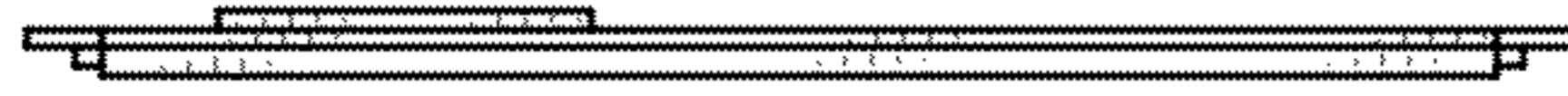


FIG. 6





FIG. 7

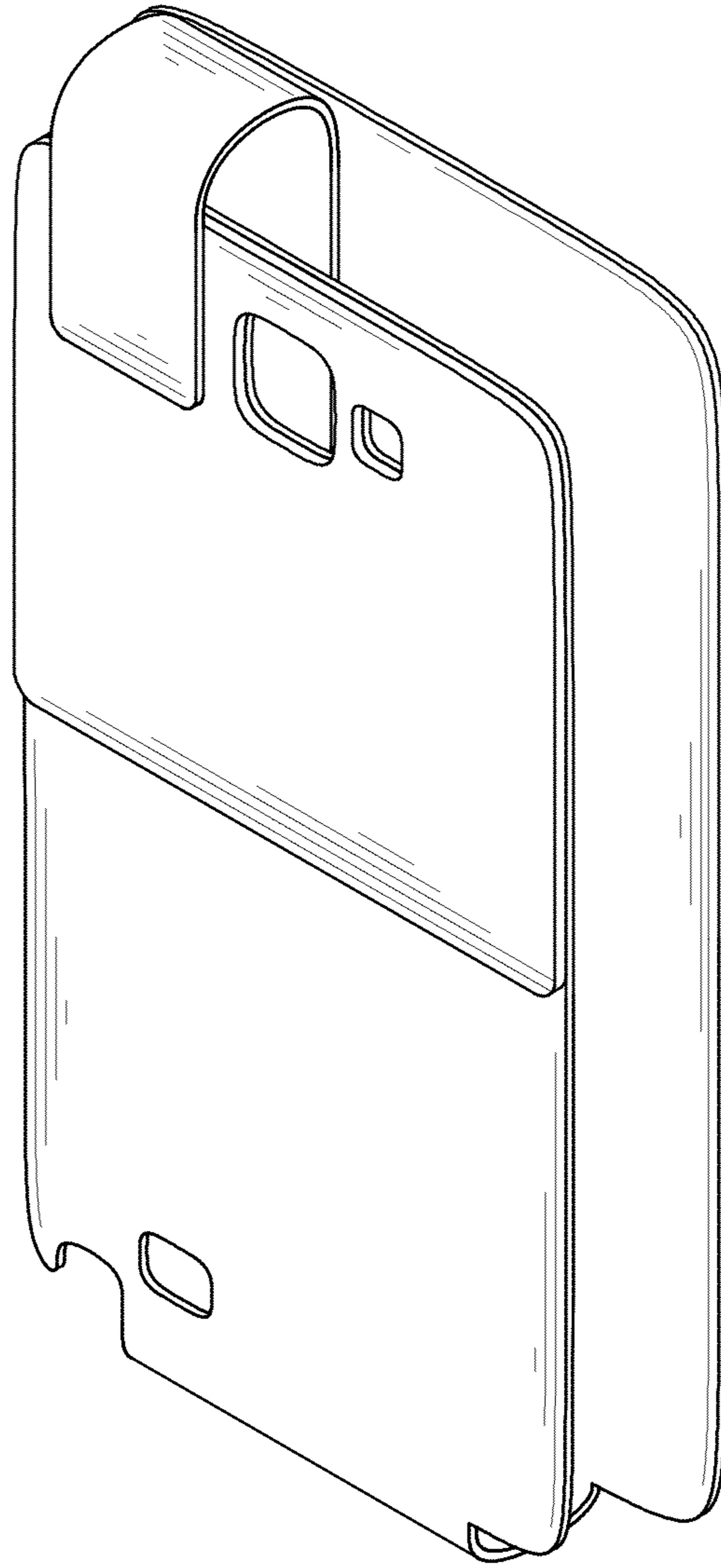


FIG. 8

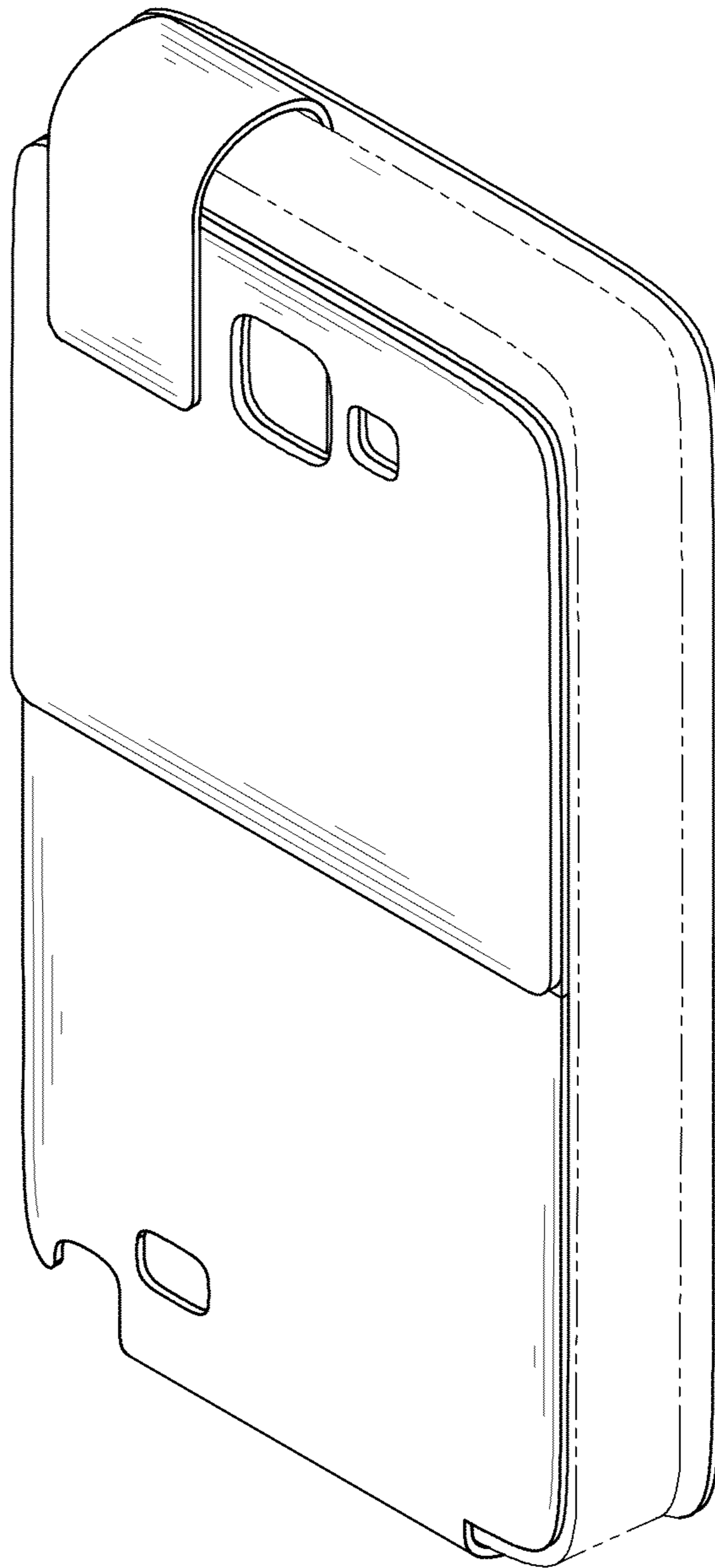


FIG. 9

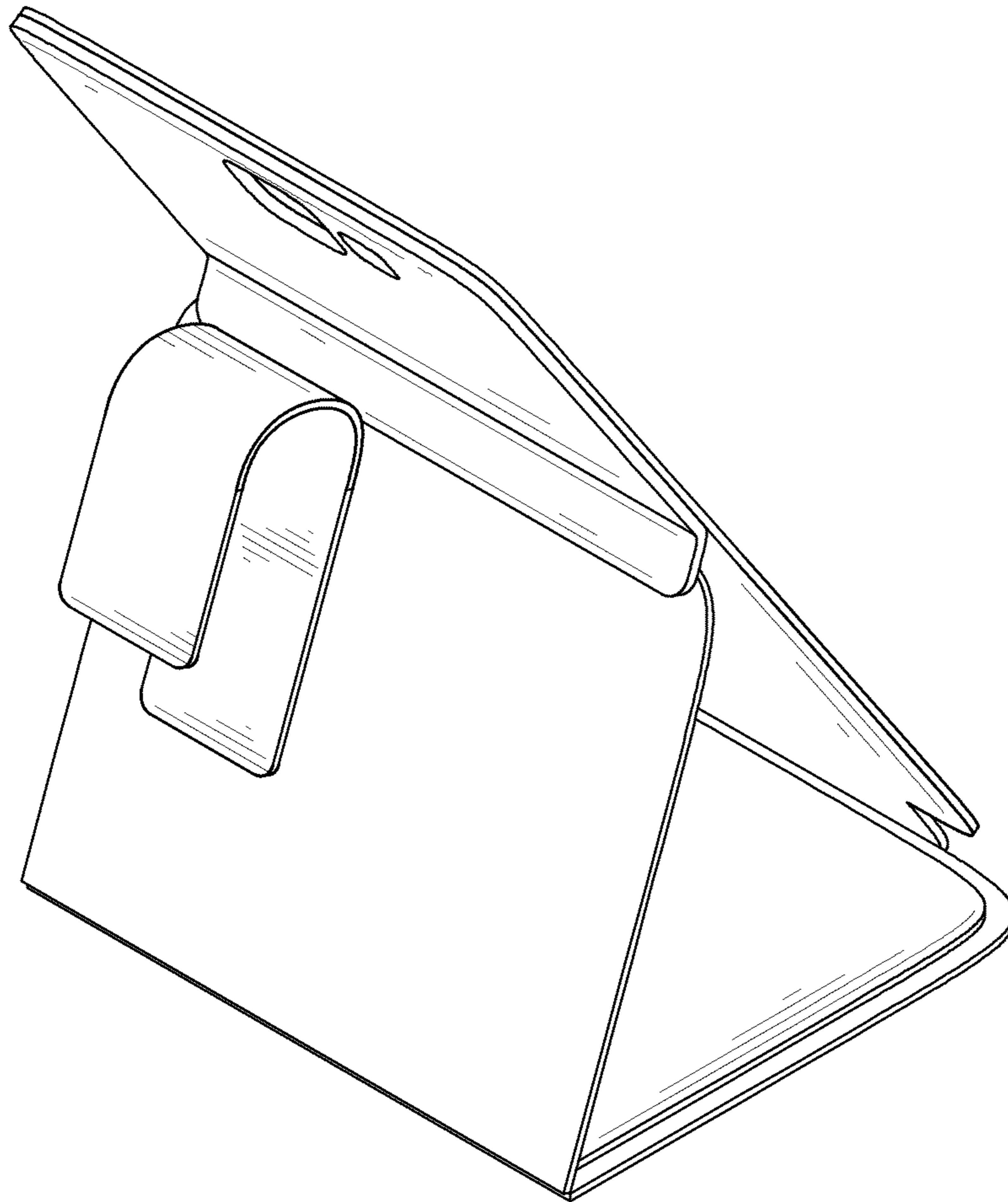


FIG. 10

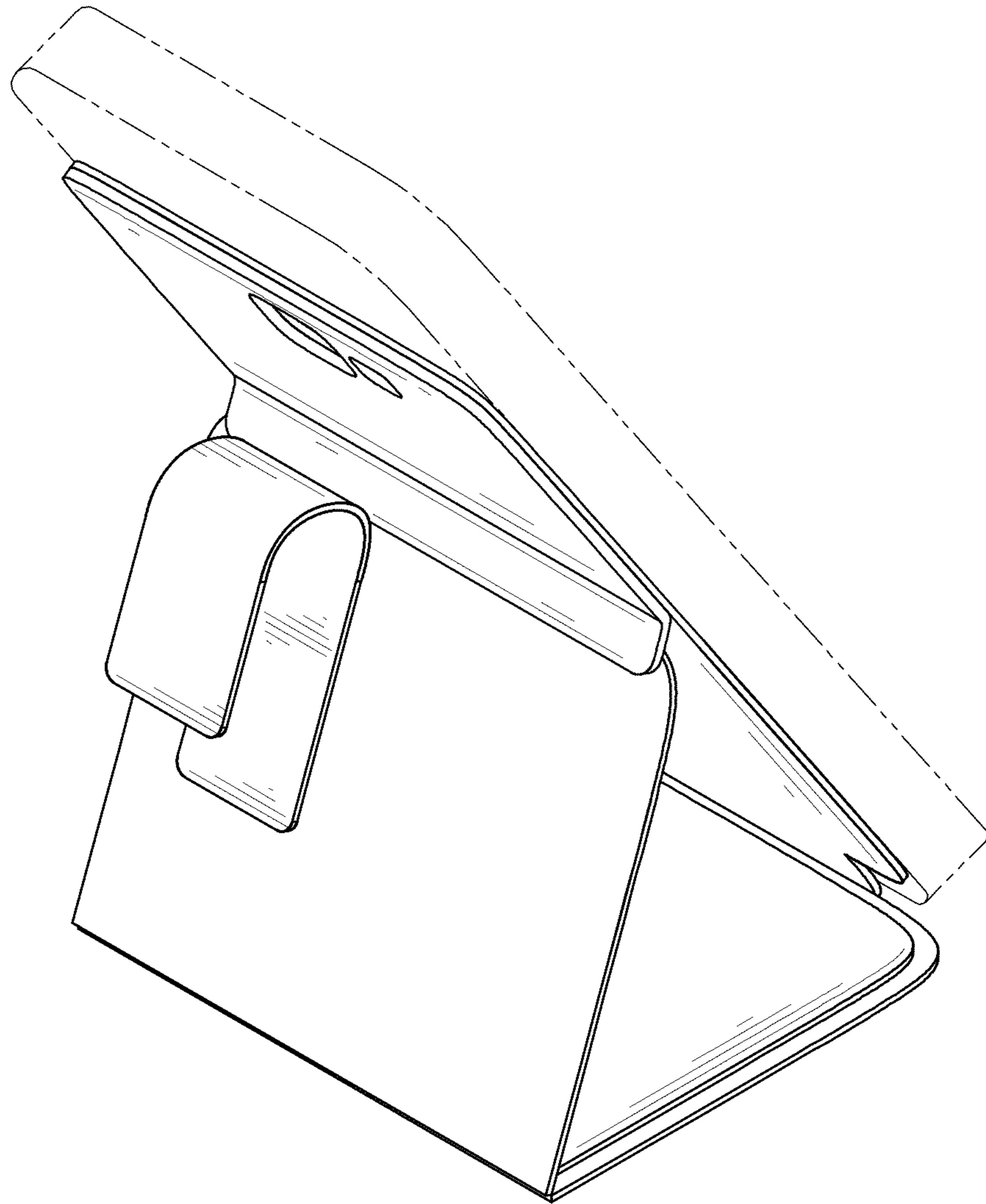


FIG. 11