



US00D704687S

(12) **United States Design Patent**  
**Northrup et al.**

(10) **Patent No.:** **US D704,687 S**

(45) **Date of Patent:** **\*\* May 13, 2014**

(54) **CASE WITH INDICATORS**

(75) Inventors: **Nathan Northrup**, Fort Collins, CO  
(US); **Adam Havens**, Fort Collins, CO  
(US)

(73) Assignee: **Otter Products, LLC**, Fort Collins, CO  
(US)

(\*\*) Term: **14 Years**

(21) Appl. No.: **29/416,107**

(22) Filed: **Mar. 19, 2012**

(51) **LOC (10) Cl.** ..... **14-03**

(52) **U.S. Cl.**  
USPC ..... **D14/250**

(58) **Field of Classification Search**  
USPC ..... D14/250, 137, 138 AA, 217, 238.1, 248,  
D14/251, 252, 253, 346, 440, 496, 356;  
D13/107, 108; D3/201, 218, 247, 269,  
D3/273, 301, 303; 455/575.1, 575.8, 95,  
455/93; 220/4.02; 206/305, 320, 251, 45.2  
See application file for complete search history.

(56) **References Cited**

**U.S. PATENT DOCUMENTS**

D513,617 S *	1/2006	Tierney	.....	D14/496
D581,430 S *	11/2008	Lee	.....	D14/496
D600,237 S *	9/2009	Kwon et al.	.....	D14/223
D611,959 S *	3/2010	Chia et al.	.....	D14/496
D636,386 S *	4/2011	Richardson et al.	.....	D14/250
D638,005 S *	5/2011	Richardson et al.	.....	D14/250

D638,828 S *	5/2011	Melanson et al.	.....	D14/250
D638,829 S *	5/2011	Melanson et al.	.....	D14/250
D641,013 S *	7/2011	Richardson et al.	.....	D14/250
D642,170 S *	7/2011	Johnson et al.	.....	D14/250
D676,845 S *	2/2013	Melanson et al.	.....	D14/250
D677,251 S *	3/2013	Melanson et al.	.....	D14/250
D680,522 S *	4/2013	Melanson	.....	D14/250
2012/0018323 A1 *	1/2012	Johnson et al.	.....	206/320

**OTHER PUBLICATIONS**

“iPhone 5C Defender Series Plastic Shell”. OtterBox. Web. Nov. 19, 2013. <[http://www.otterbox.com/...lastic-Shell/apl2-iphone-5c-shell,default,pd.html?dwvar\\_apl2-iphone-5c-shell\\_color=1013&start=3&cgid=apple-iphone-5c-cases](http://www.otterbox.com/...lastic-Shell/apl2-iphone-5c-shell,default,pd.html?dwvar_apl2-iphone-5c-shell_color=1013&start=3&cgid=apple-iphone-5c-cases)[Nov. 19, 2013 5:51:59 PM]>.\*

\* cited by examiner

*Primary Examiner* — Deanna L Pratt

*Assistant Examiner* — Lilyana Bekic

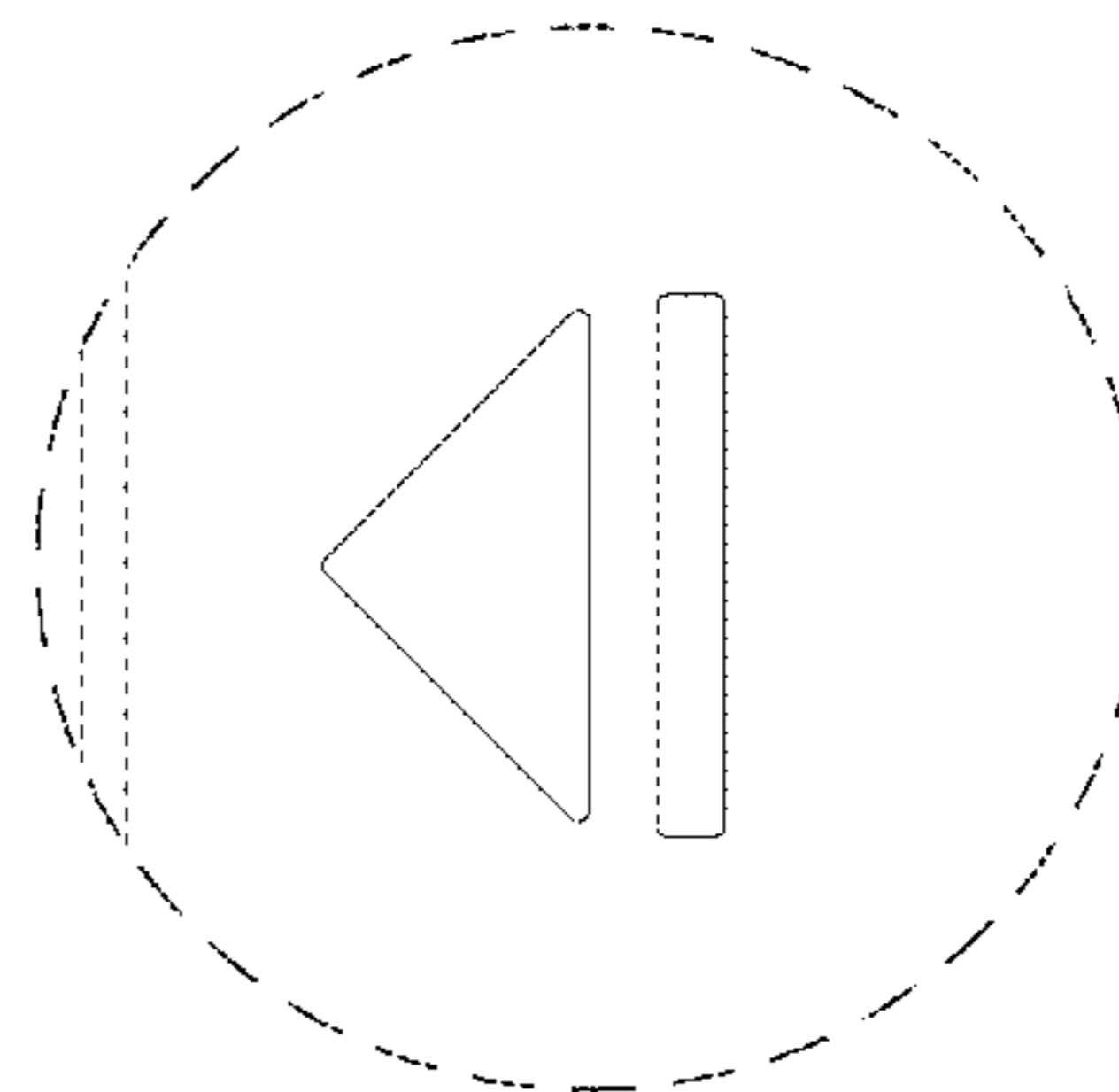
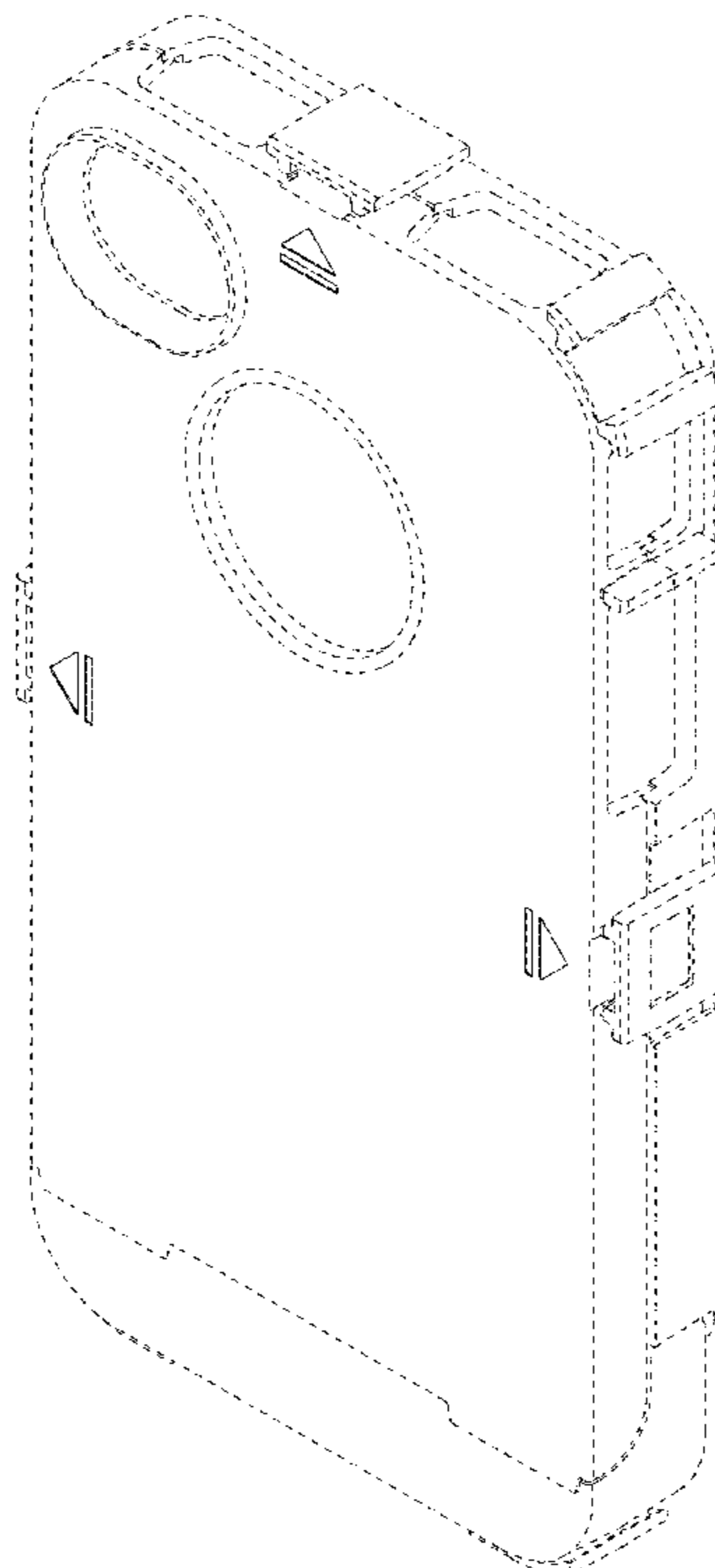
(57) **CLAIM**

The ornamental design for an case with indicators, as shown and described.

**DESCRIPTION**

FIG. 1 is a rear isometric view of an case with indicators showing our new design;  
FIG. 2 is a rear view thereof; and,  
FIG. 3 is an enlarged view thereof.  
The broken lines in the drawings illustrate portions of the case which form no part of the claimed design.

**1 Claim, 3 Drawing Sheets**



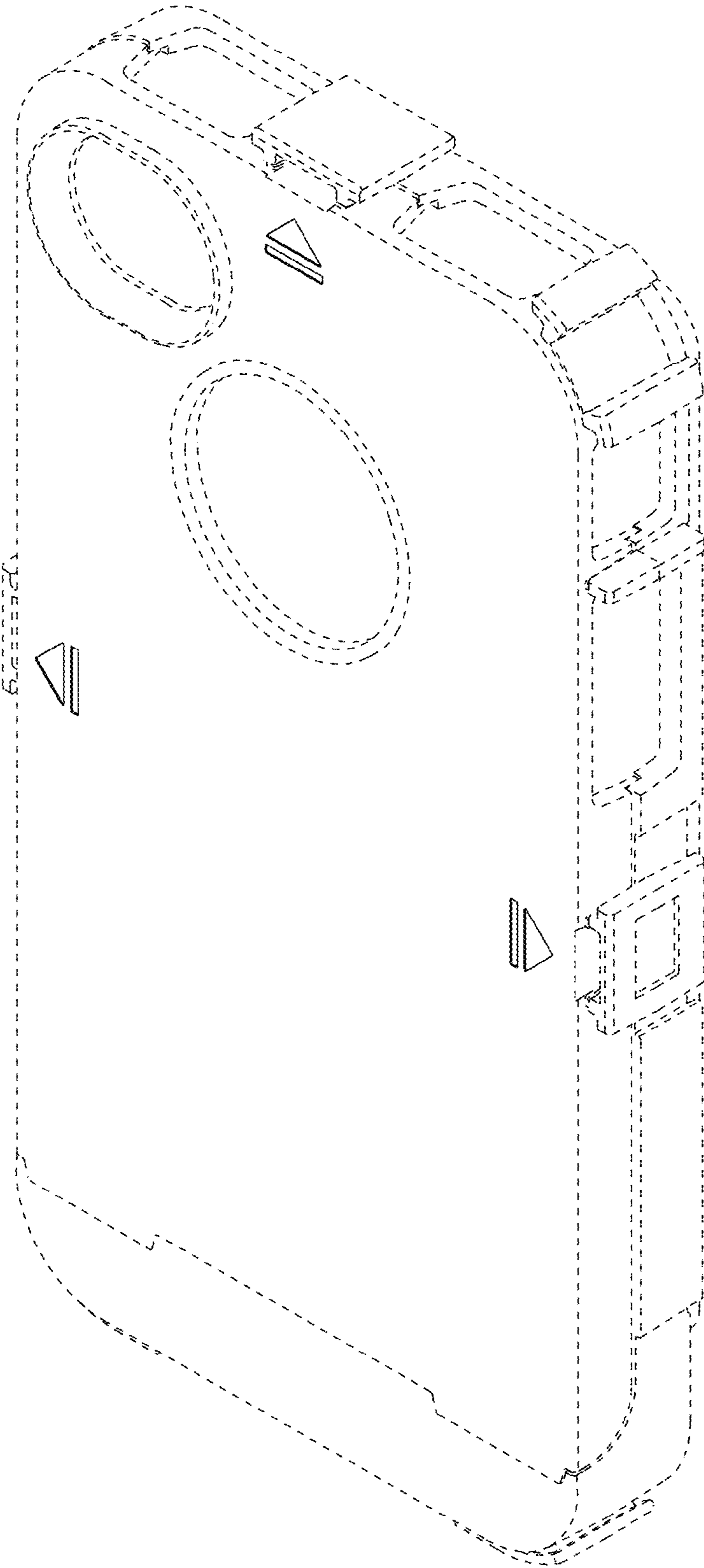


FIG. 1

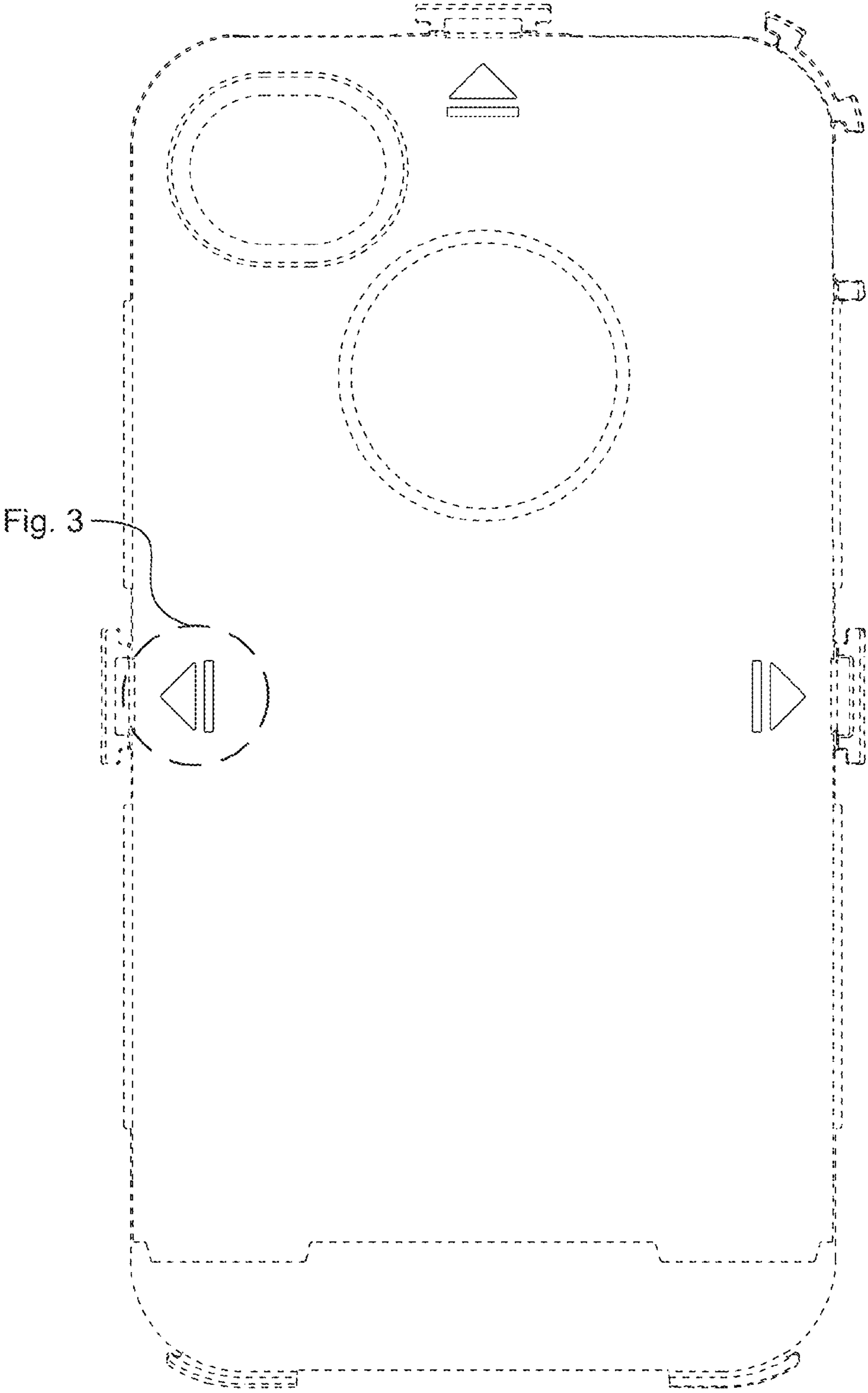


FIG. 2

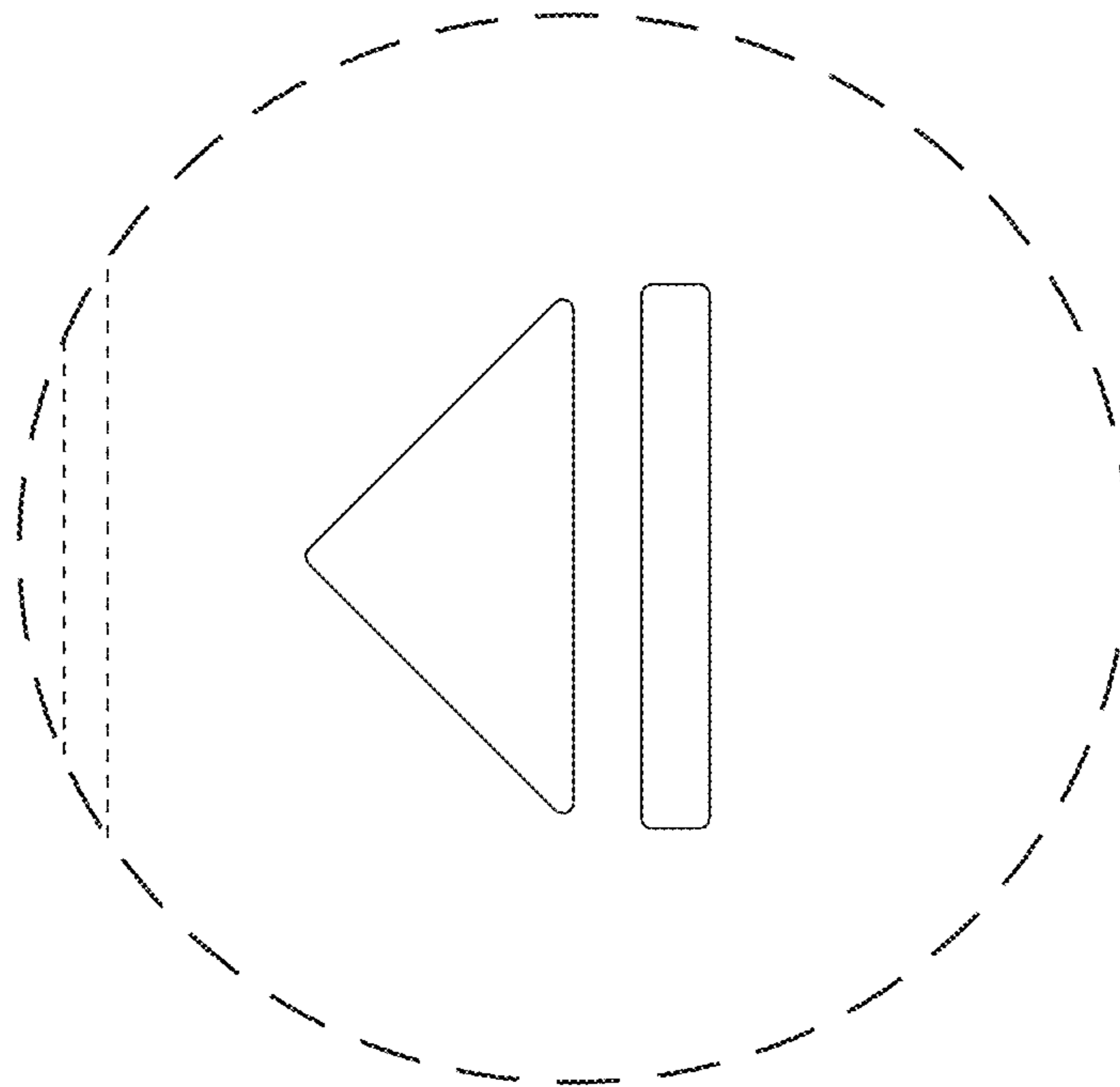


FIG. 3