



US00D704683S

(12) **United States Design Patent**  
**Ueda et al.**

(10) **Patent No.:** **US D704,683 S**  
(45) **Date of Patent:** **\*\* May 13, 2014**

(54) **WIRELESS COMMUNICATION DEVICE FOR A BICYCLE**

(71) Applicant: **Cateye Co., Ltd.**, Osaka (JP)

(72) Inventors: **Takashi Ueda**, Osaka (JP); **Toshiyuki Nagano**, Osaka (JP); **Yoji Okuda**, Osaka (JP)

(73) Assignee: **Cateye Co., Ltd.**, Higashisumiyoshi-ku, Osaka-shi, Osaka (JP)

(\*\*) Term: **14 Years**

(21) Appl. No.: **29/437,179**

(22) Filed: **Nov. 14, 2012**

(30) **Foreign Application Priority Data**

May 24, 2012 (JP) ..... 2012-012161

(51) **LOC (10) Cl.** ..... **14-03**

(52) **U.S. Cl.**  
USPC ..... **D14/240**

(58) **Field of Classification Search**  
USPC ..... D14/242, 240, 357, 358, 140-140.9,  
D14/155, 137, 139, 243, 348, 349, 351, 354,  
D14/355; 375/222; 455/557; 725/111  
See application file for complete search history.

(56) **References Cited**

**U.S. PATENT DOCUMENTS**

D350,741 S \* 9/1994 Chen ..... D14/462  
D422,595 S \* 4/2000 Taylor et al. .... D14/240  
D423,493 S \* 4/2000 Hakoda ..... D14/138 AD  
D432,511 S \* 10/2000 Eckholm ..... D14/138 G  
D489,070 S \* 4/2004 Chatterjee ..... D14/433  
D495,695 S \* 9/2004 Yugaya ..... D14/346  
D506,754 S \* 6/2005 Schlieffers et al. .... D14/346  
D527,366 S \* 8/2006 Lee ..... D14/138 AD  
D552,580 S \* 10/2007 Mun ..... D14/138 AD

D563,935 S \* 3/2008 Kim et al. .... D14/138 AD  
D602,892 S \* 10/2009 Devenish et al. .... D14/137  
D615,946 S \* 5/2010 Mun ..... D14/138 G  
D619,990 S \* 7/2010 Lai ..... D14/138 G  
D622,710 S \* 8/2010 Goransson ..... D14/240  
D633,066 S \* 2/2011 Park et al. .... D14/138 AD  
D633,462 S \* 3/2011 Mauritzson ..... D14/138 AD  
D642,152 S \* 7/2011 Cho ..... D14/138 AD  
D655,267 S \* 3/2012 Daniel ..... D14/137  
D664,143 S \* 7/2012 Chaturvedi et al. .... D14/358  
D673,951 S \* 1/2013 Chang et al. .... D14/341  
D676,009 S \* 2/2013 Hirota ..... D14/138 AD  
D680,535 S \* 4/2013 Tzeng ..... D14/358  
D685,754 S \* 7/2013 Palmer et al. .... D14/138 G  
2002/0016188 A1 \* 2/2002 Kashiwamura ..... 455/568

**FOREIGN PATENT DOCUMENTS**

TW D122248 4/2008  
TW 101306946 5/2013

\* cited by examiner

*Primary Examiner* — Bridget L Eland

(74) *Attorney, Agent, or Firm* — Olson & Cepuritis, Ltd.

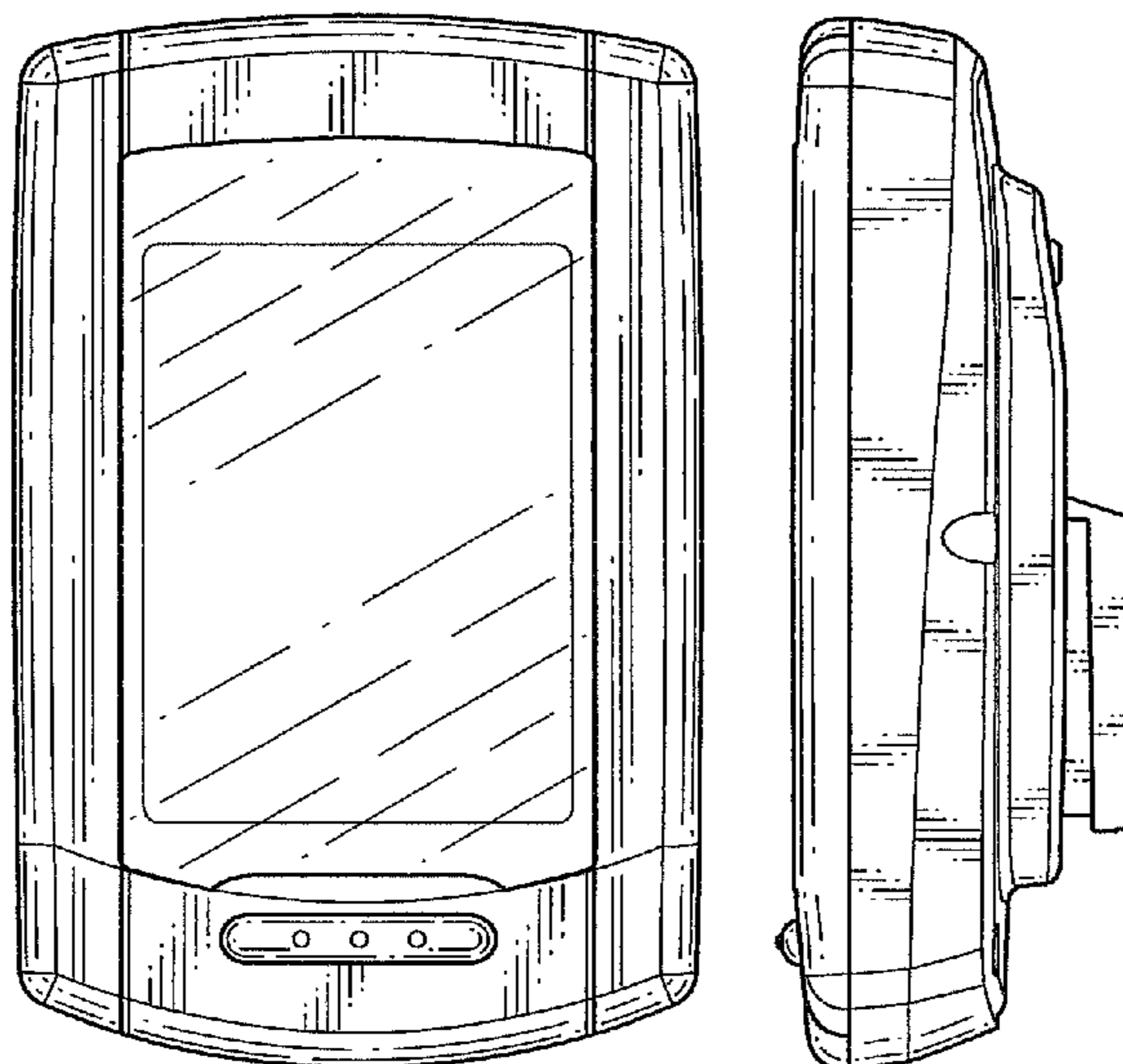
(57) **CLAIM**

The ornamental design for a wireless communication device for a bicycle, as shown and described.

**DESCRIPTION**

FIG. 1 is a perspective view of a wireless communication device for a bicycle showing our new design;  
FIG. 2 is a front thereof;  
FIG. 3 is a rear view thereof;  
FIG. 4 is a top plan view thereof;  
FIG. 5 is a bottom plan view thereof;  
FIG. 6 is a right side view thereof; and,  
FIG. 7 is a left side view thereof.  
The broken lines immediately adjacent the shaded areas represent the bounds of the claimed design; the broken lines form no part of the claimed design.

**1 Claim, 5 Drawing Sheets**



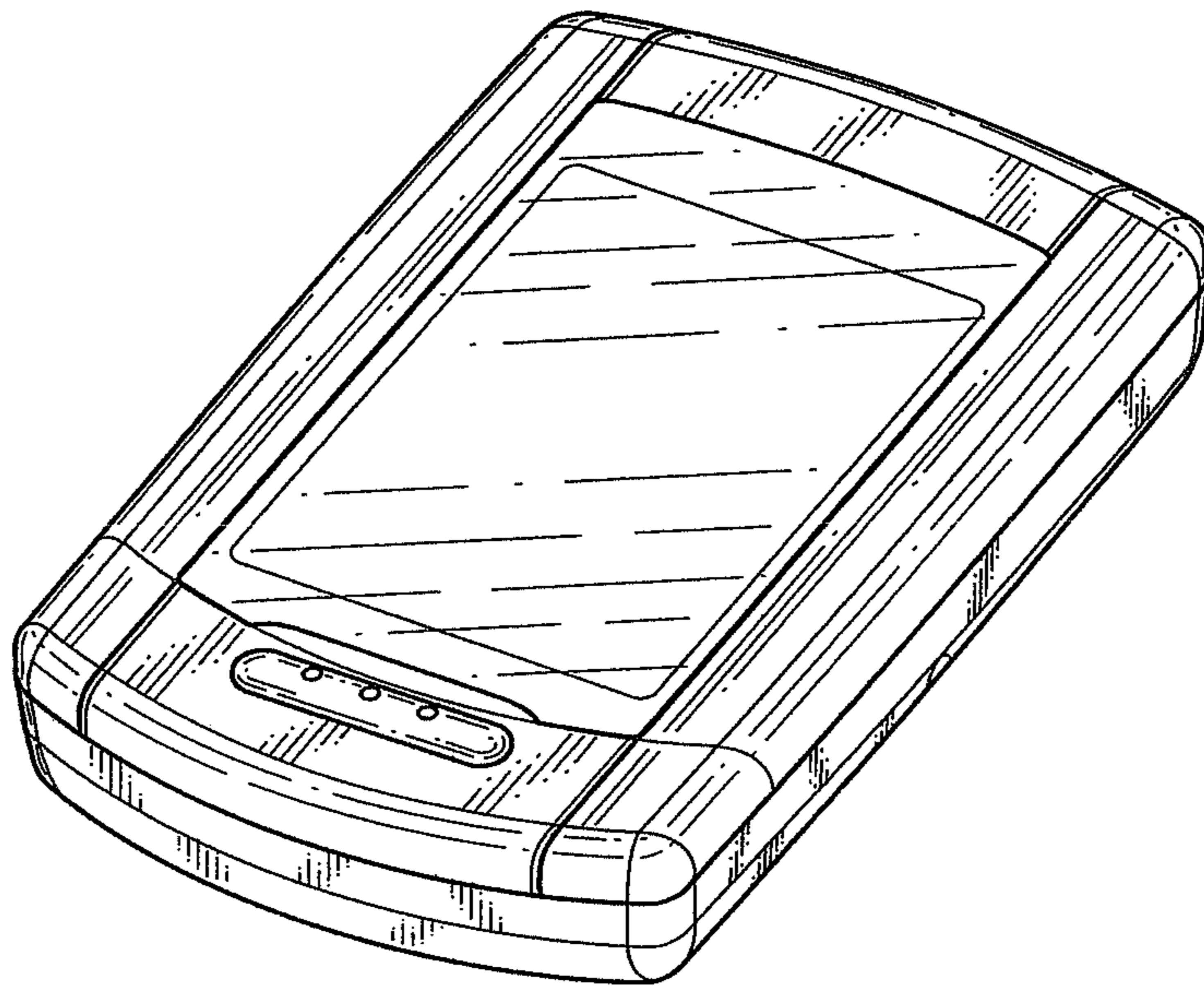


Fig. 1

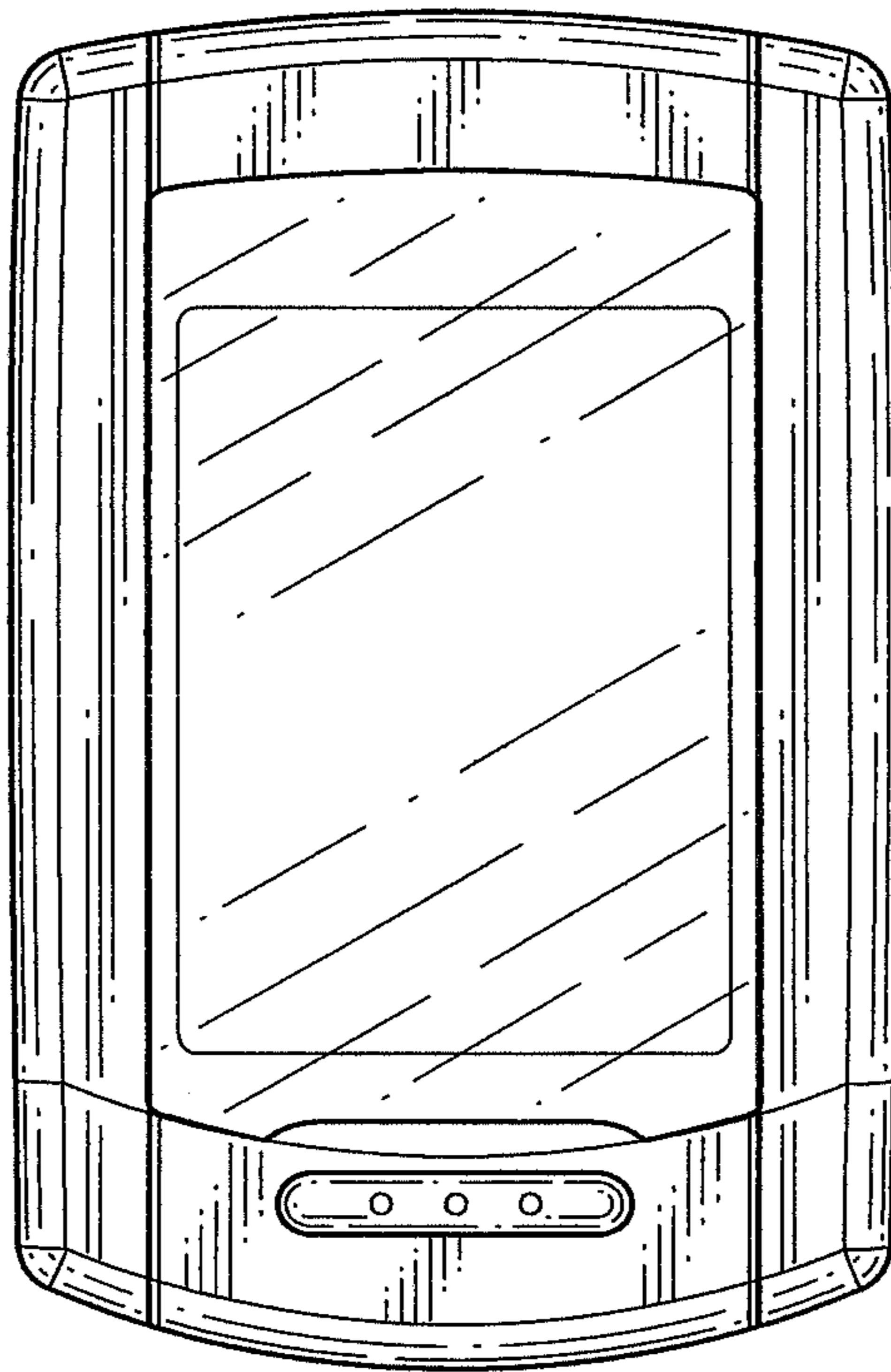


Fig. 2

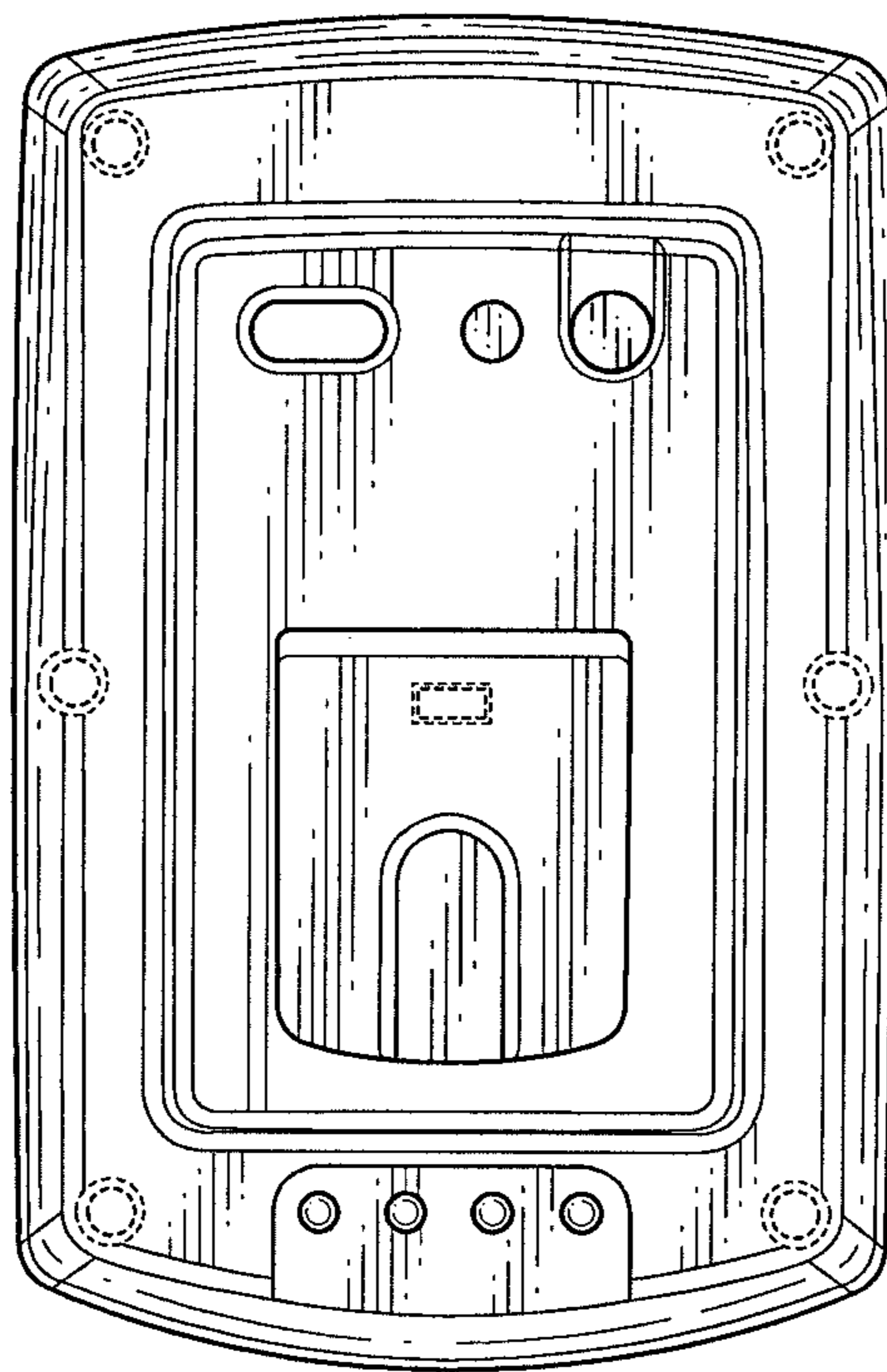


Fig. 3

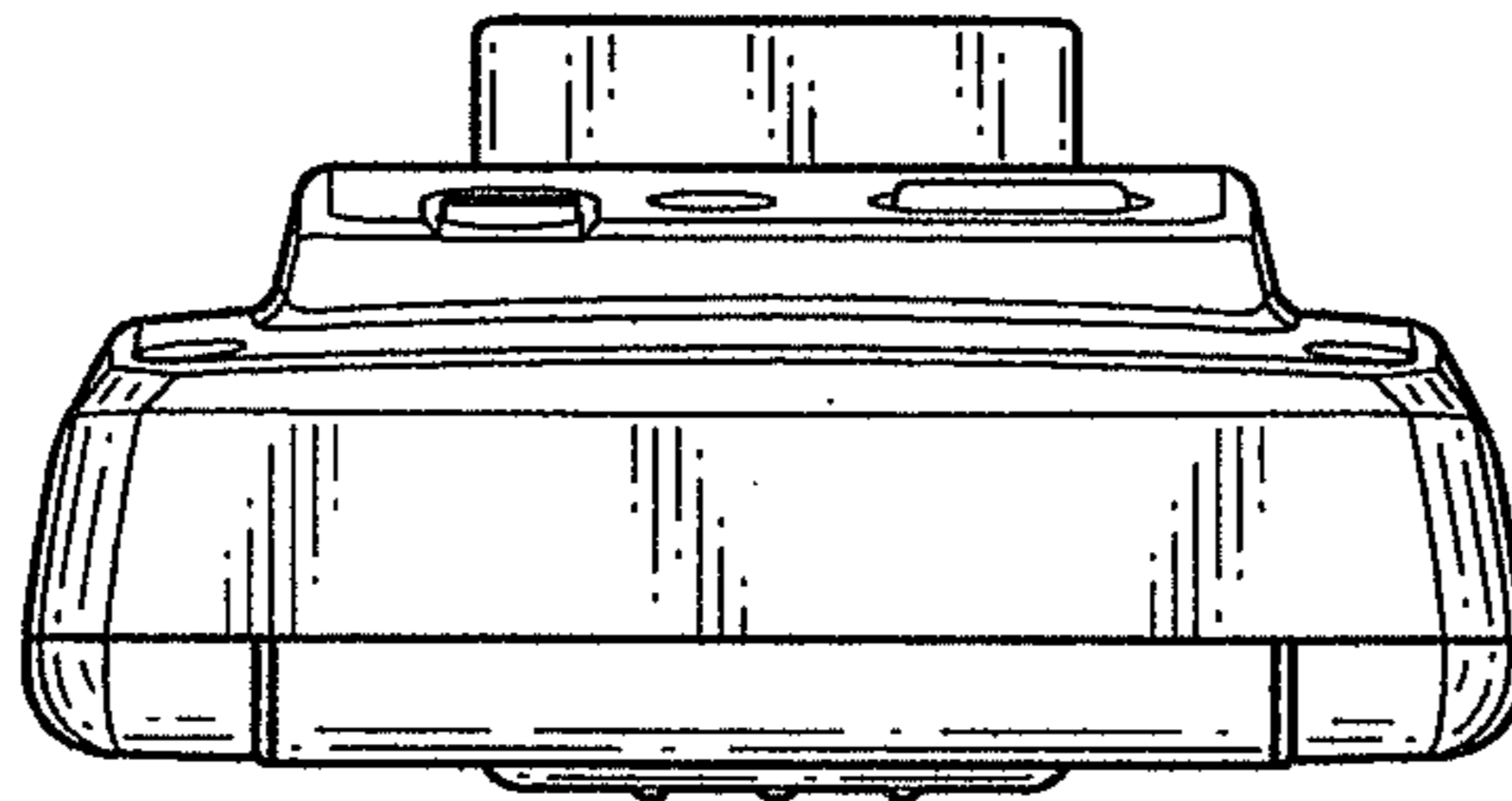


Fig. 4

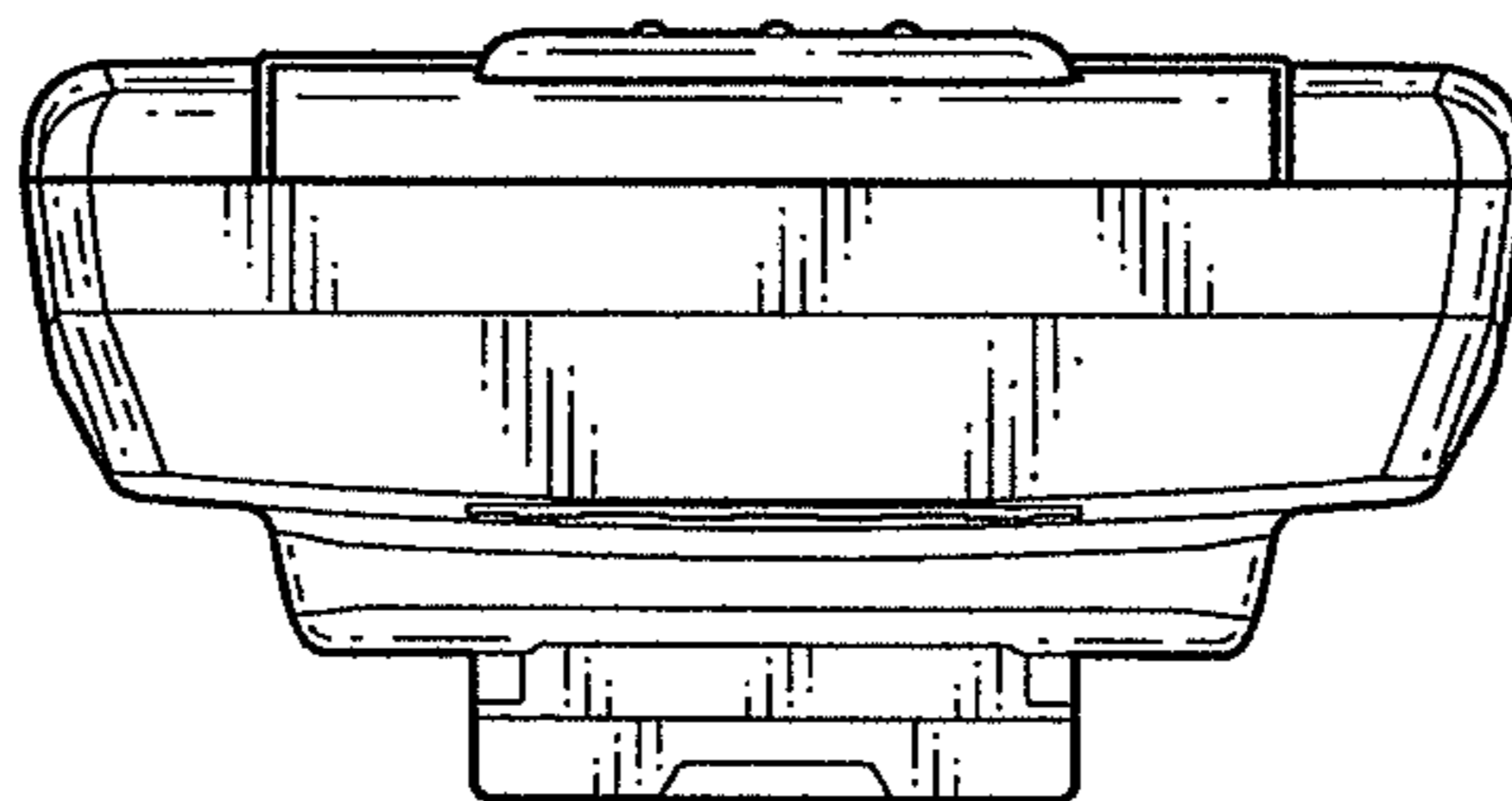


Fig. 5

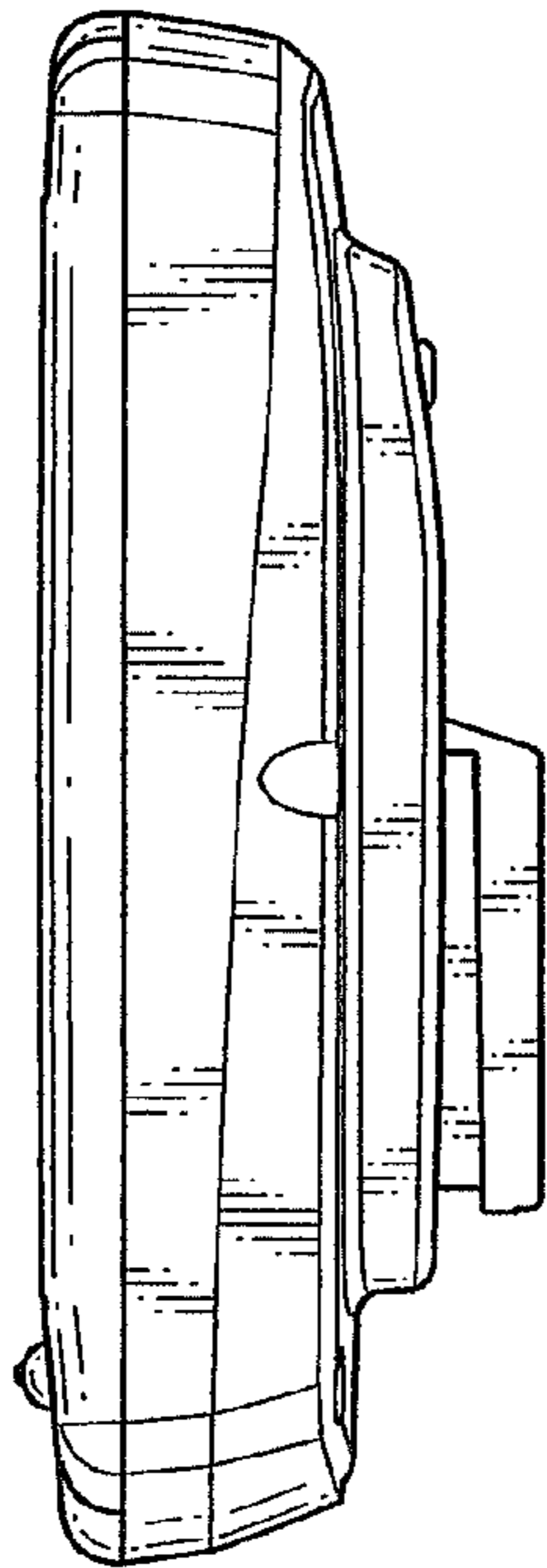


Fig. 6

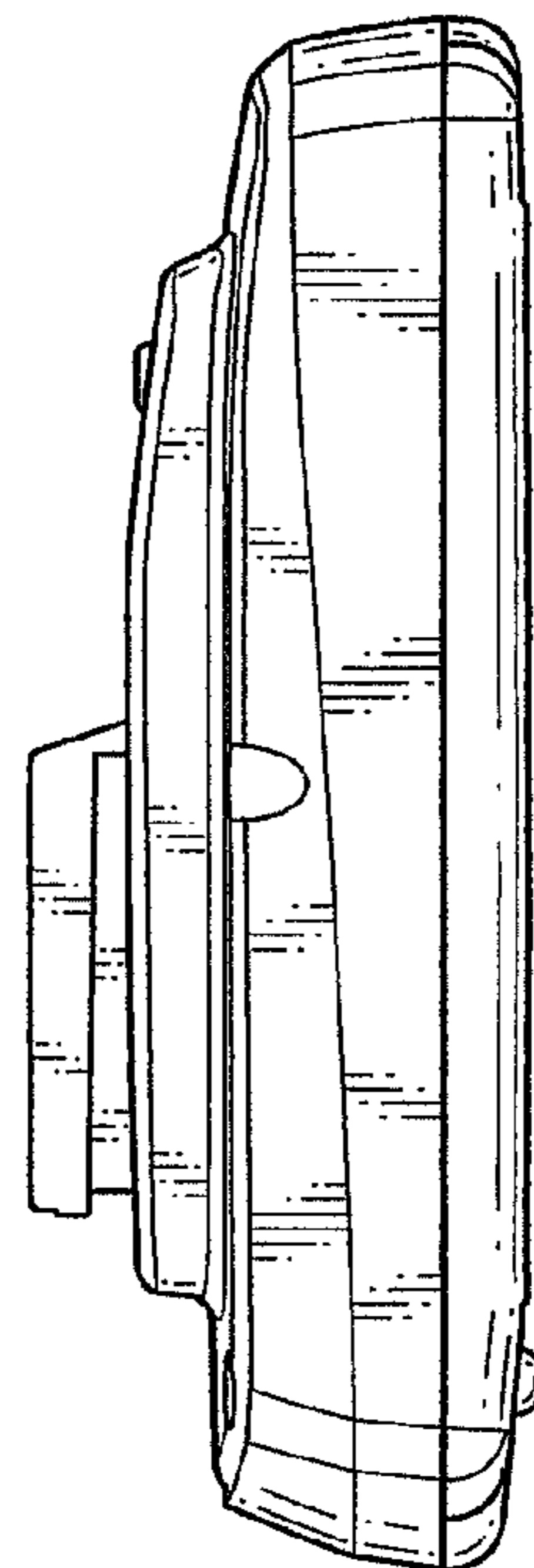


Fig. 7