



US00D704680S

(12) **United States Design Patent**
Riemersma et al.

(10) **Patent No.:** **US D704,680 S**

(45) **Date of Patent:** **** May 13, 2014**

(54) **LOUDSPEAKER WAVEGUIDE**

(71) Applicants: **Robert Bosch LLC**, Broadview, IL
(US); **Robert Bosch GmbH**, Stuttgart
(DE)

(72) Inventors: **Steven Patrick Riemersma**,
Minneapolis, MN (US); **Michael Paul
Carpenter**, N Brooklyn Park, MN (US);
Nicholas John Sulzer, Burnsville, MN
(US); **Joseph Edward Cameron**,
Bloomington, MN (US)

(73) Assignee: **Robert Bosch GmbH**, Stuttgart (DE)

(**) Term: **14 Years**

(21) Appl. No.: **29/435,186**

(22) Filed: **Oct. 19, 2012**

(51) **LOC (10) Cl.** **14-01**

(52) **U.S. Cl.**
USPC **D14/222**

(58) **Field of Classification Search**
USPC D14/204, 207, 209–216, 221, 222, 356,
D14/224; 181/143, 147, 148, 150, 157, 198,
181/199, 151–153; 381/330–302, 306, 333,
381/35, 361–164, 386–388, 307, 182, 186
See application file for complete search history.

(56) **References Cited**

U.S. PATENT DOCUMENTS

3,509,290	A *	4/1970	Mochida	381/431
5,181,253	A *	1/1993	Jordan	381/184
5,322,979	A *	6/1994	Cassity et al.	181/150
5,400,413	A *	3/1995	Kindel	381/189
5,594,805	A *	1/1997	Sakamoto et al.	381/412
5,735,493	A *	4/1998	Ditch	248/27.1
6,059,069	A *	5/2000	Hughes, II	181/152
D473,216	S *	4/2003	Irby et al.	D14/222

7,171,013	B2 *	1/2007	Kosatos et al.	381/182
D626,345	S *	11/2010	Muller	D6/319
8,385,575	B2 *	2/2013	Kuo	381/349
D687,020	S *	7/2013	Trainer	D14/222

* cited by examiner

Primary Examiner — Prabhakar Deshmukh

(74) *Attorney, Agent, or Firm* — Michael Best & Friedrich
LLP

(57) **CLAIM**

The ornamental design for a loudspeaker waveguide, as
shown and described.

DESCRIPTION

FIG. 1 is a top right perspective view of an embodiment of the
loudspeaker waveguide, with mounting holes and mounting
hole posts being illustrated in dashed lines;

FIG. 2 is a front view thereof;

FIG. 3 is a rear view thereof, with mounting holes, mounting
hole posts, and mounting post fins being illustrated in dashed
lines;

FIG. 4 is a left side view thereof;

FIG. 5 is a right side view thereof;

FIG. 6 is a top view thereof; and

FIG. 7 is a bottom view thereof.

FIG. 8 is a top right perspective view of another embodiment
of the loudspeaker waveguide with mounting holes and
mounting hole posts being illustrated in dashed lines;

FIG. 9 is a front view thereof;

FIG. 10 is a rear view thereof, with mounting holes, mounting
hole posts, and mounting post fins being illustrated in dashed
lines;

FIG. 11 is a left side view thereof;

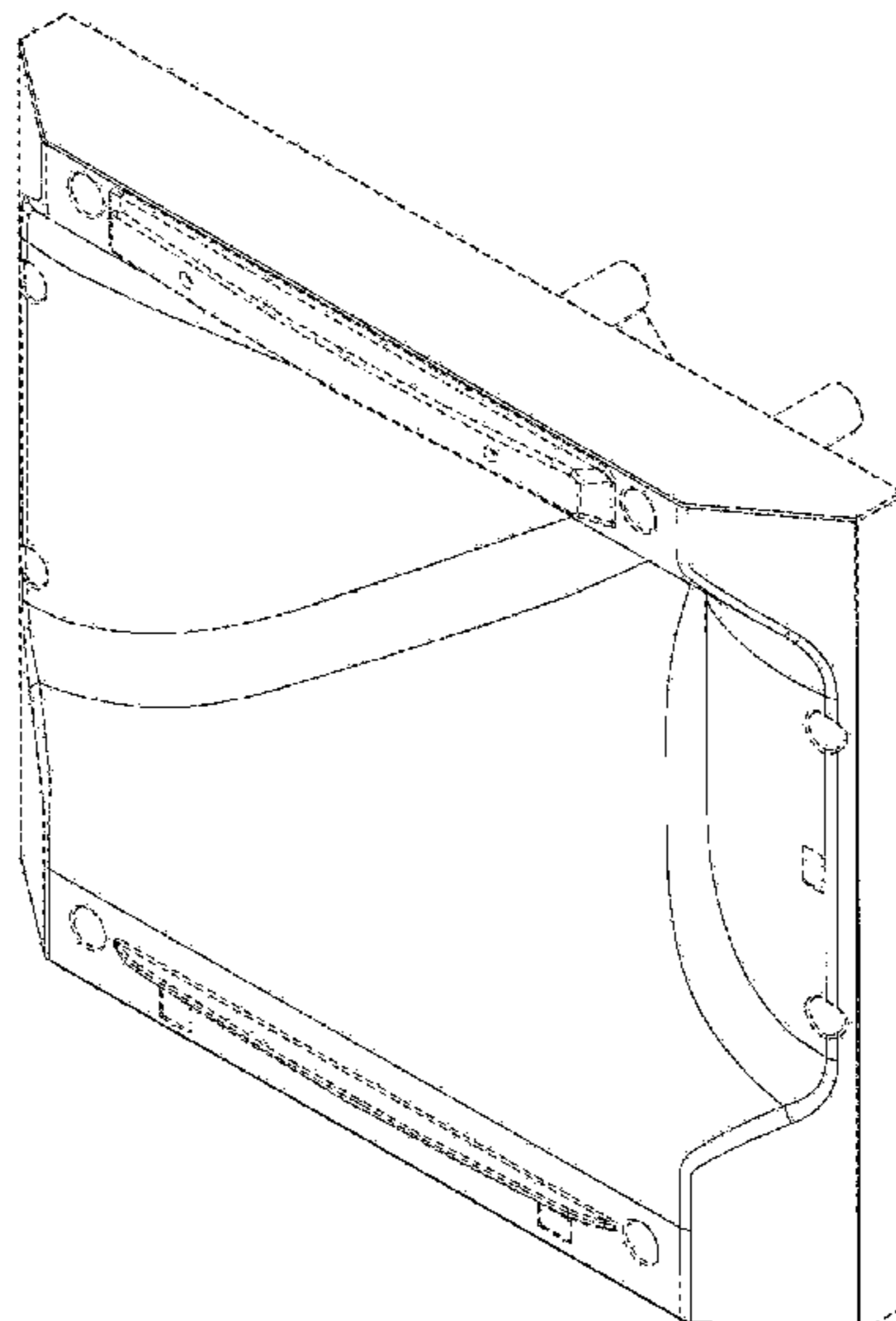
FIG. 12 is a right side view thereof;

FIG. 13 is a top view thereof; and,

FIG. 14 is a bottom view thereof.

The dash lines indicate unclaimed portions and form no part
of the claimed design.

1 Claim, 12 Drawing Sheets



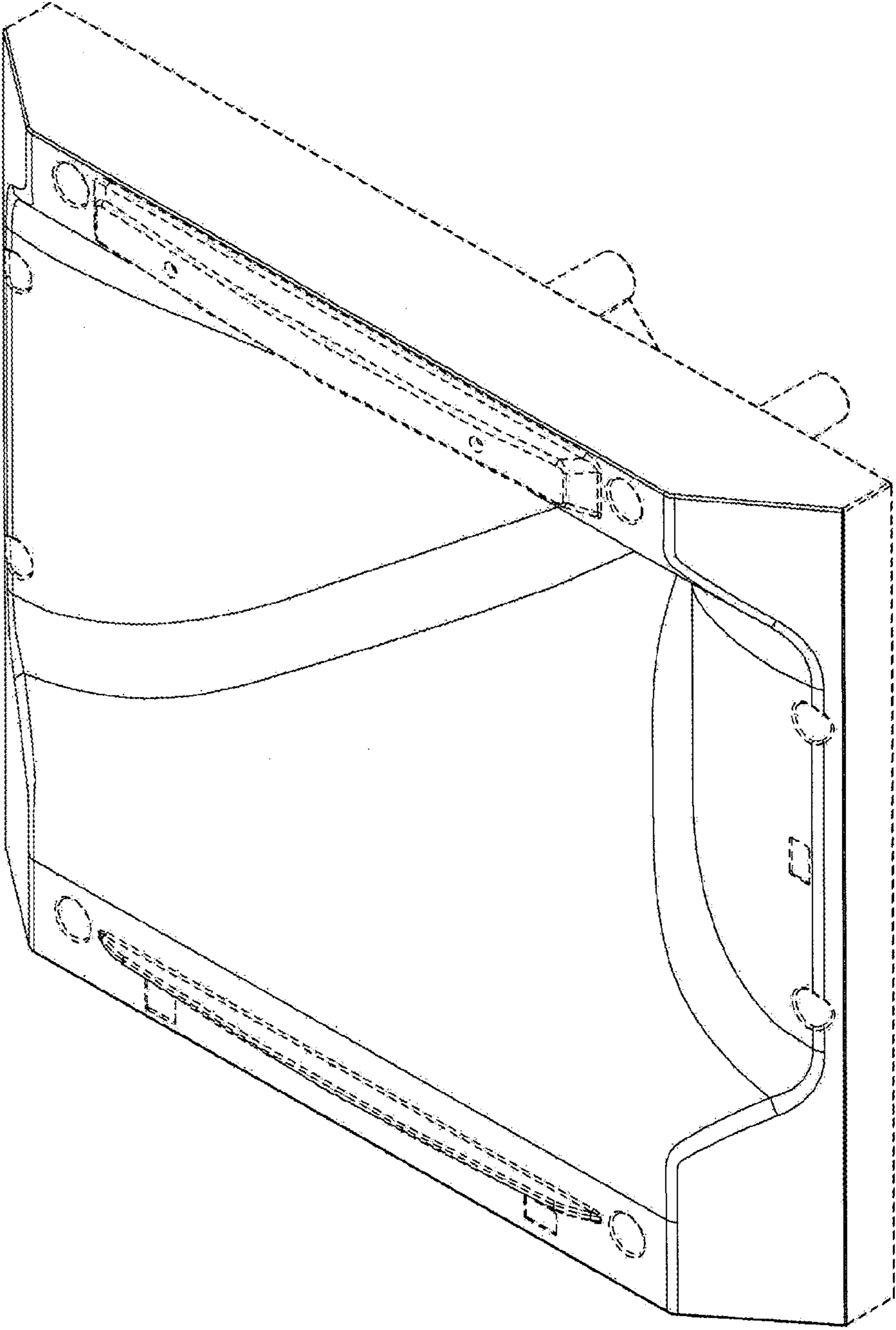


Fig. 1

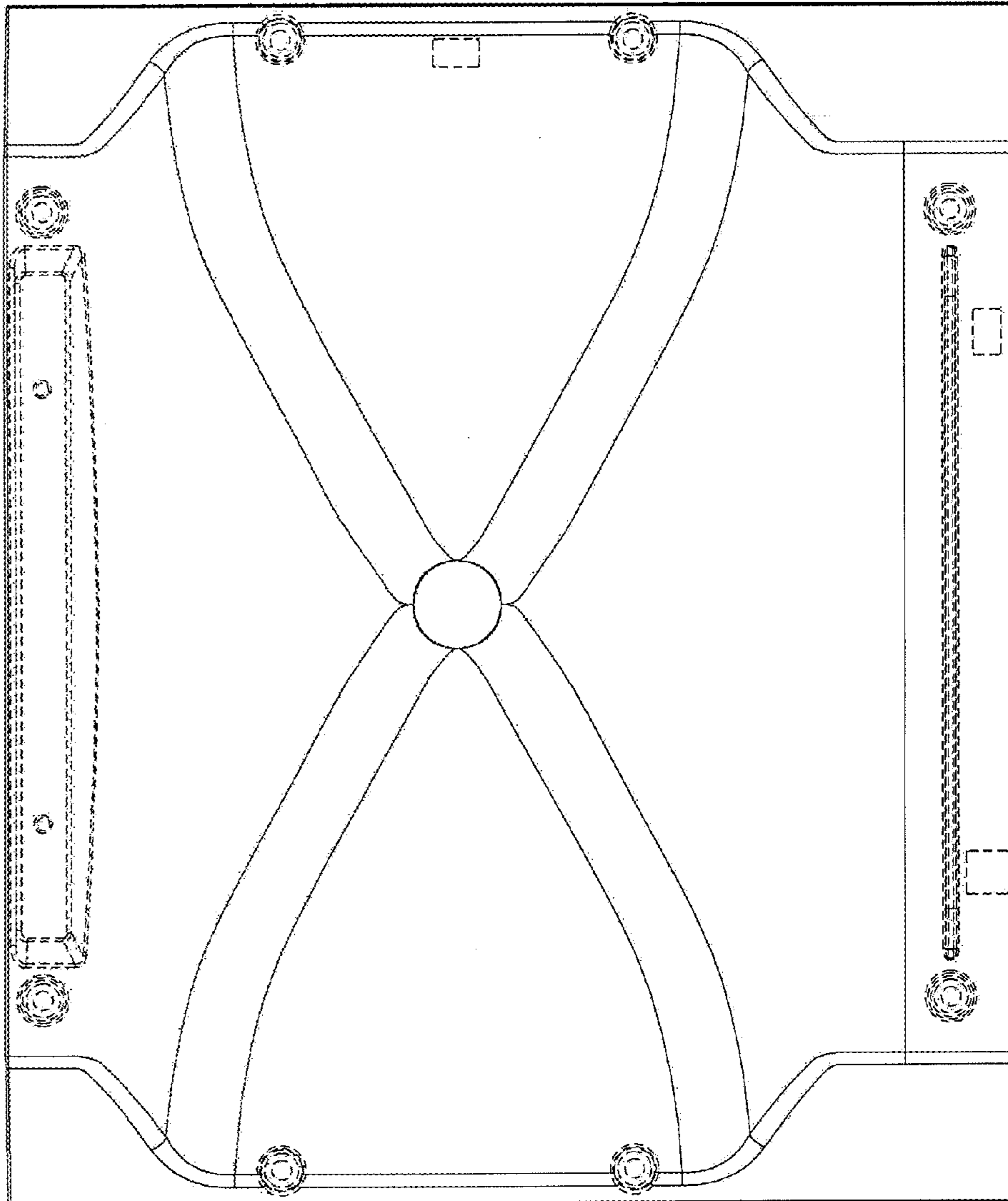


Fig. 2

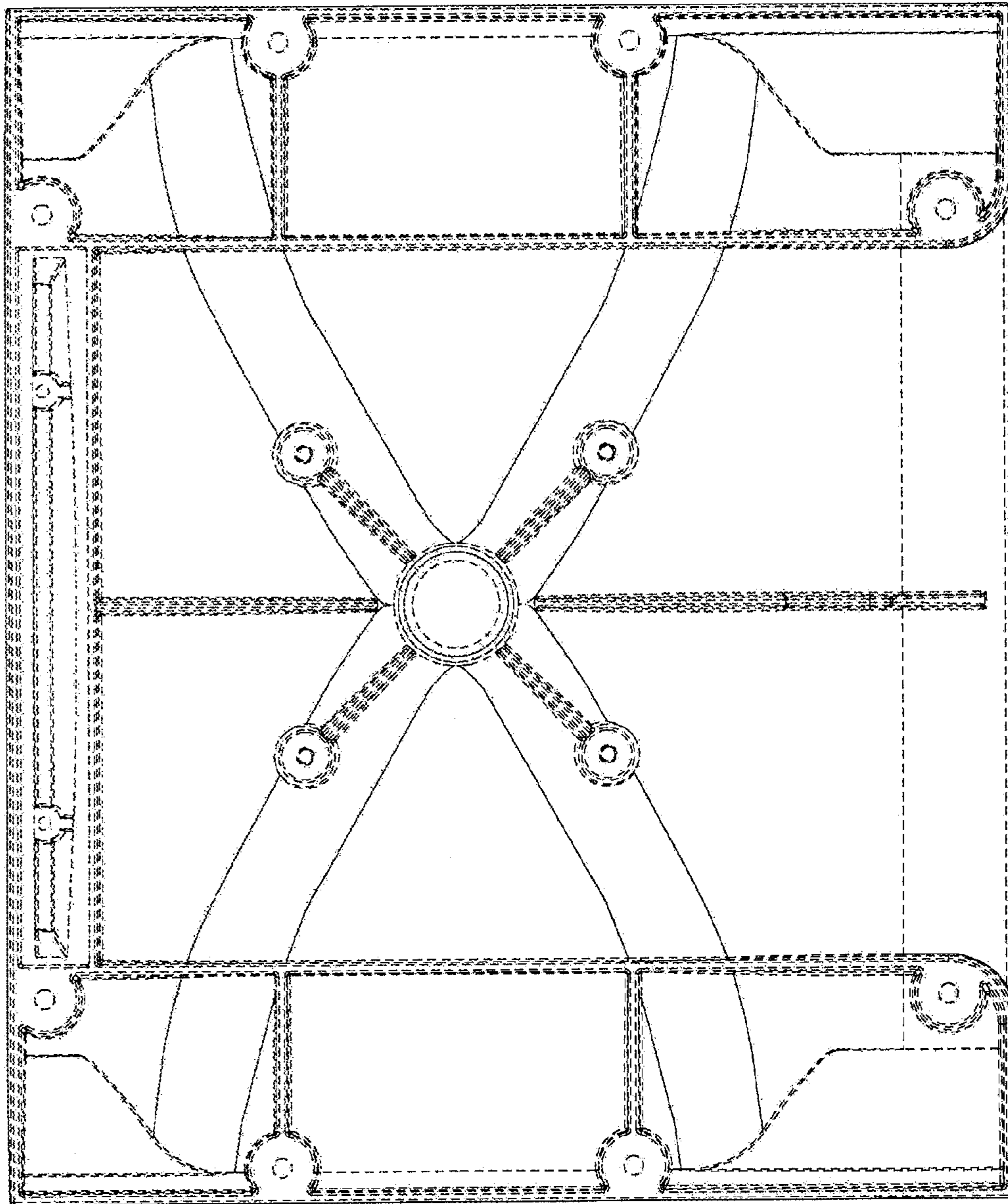


Fig. 3

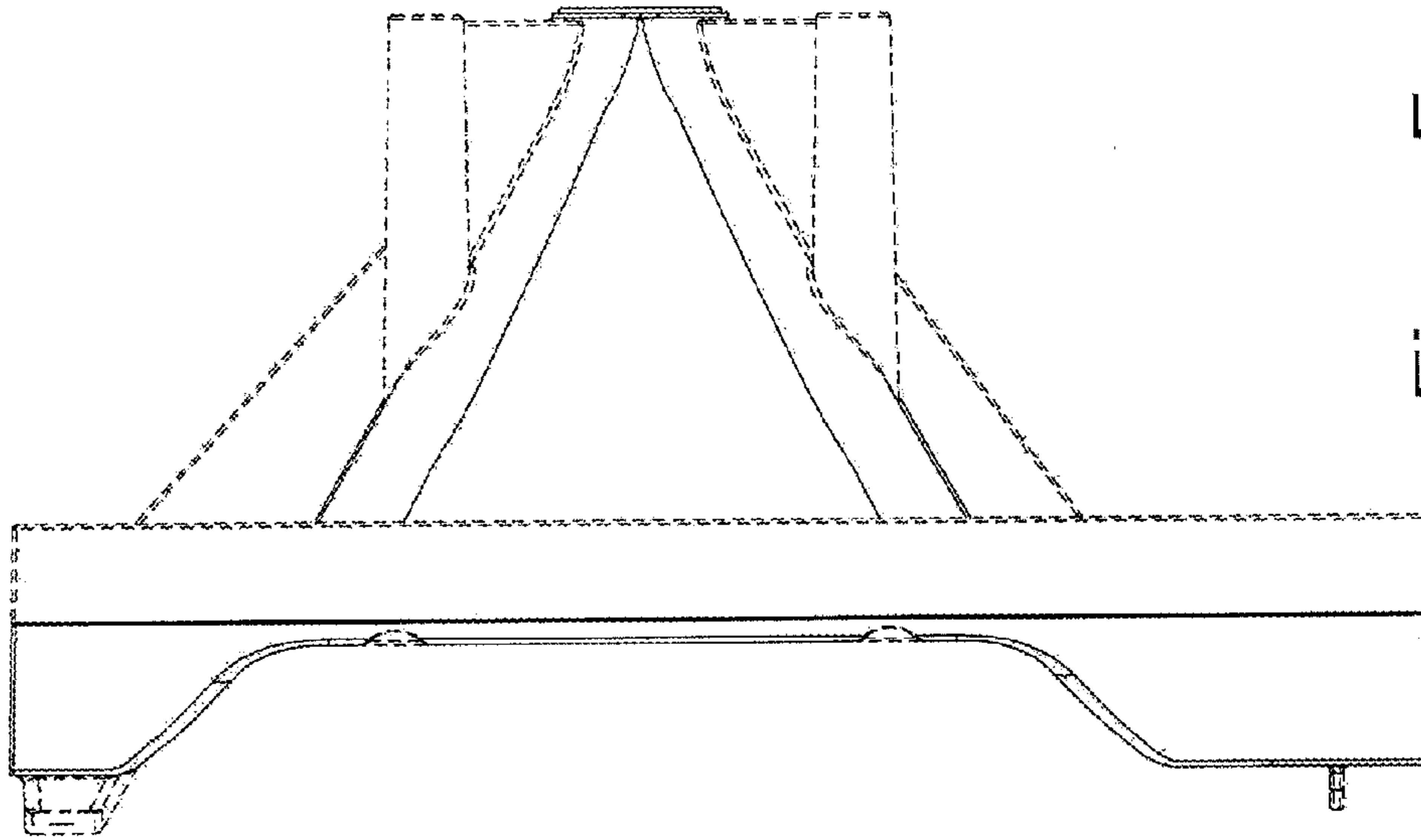


Fig. 5

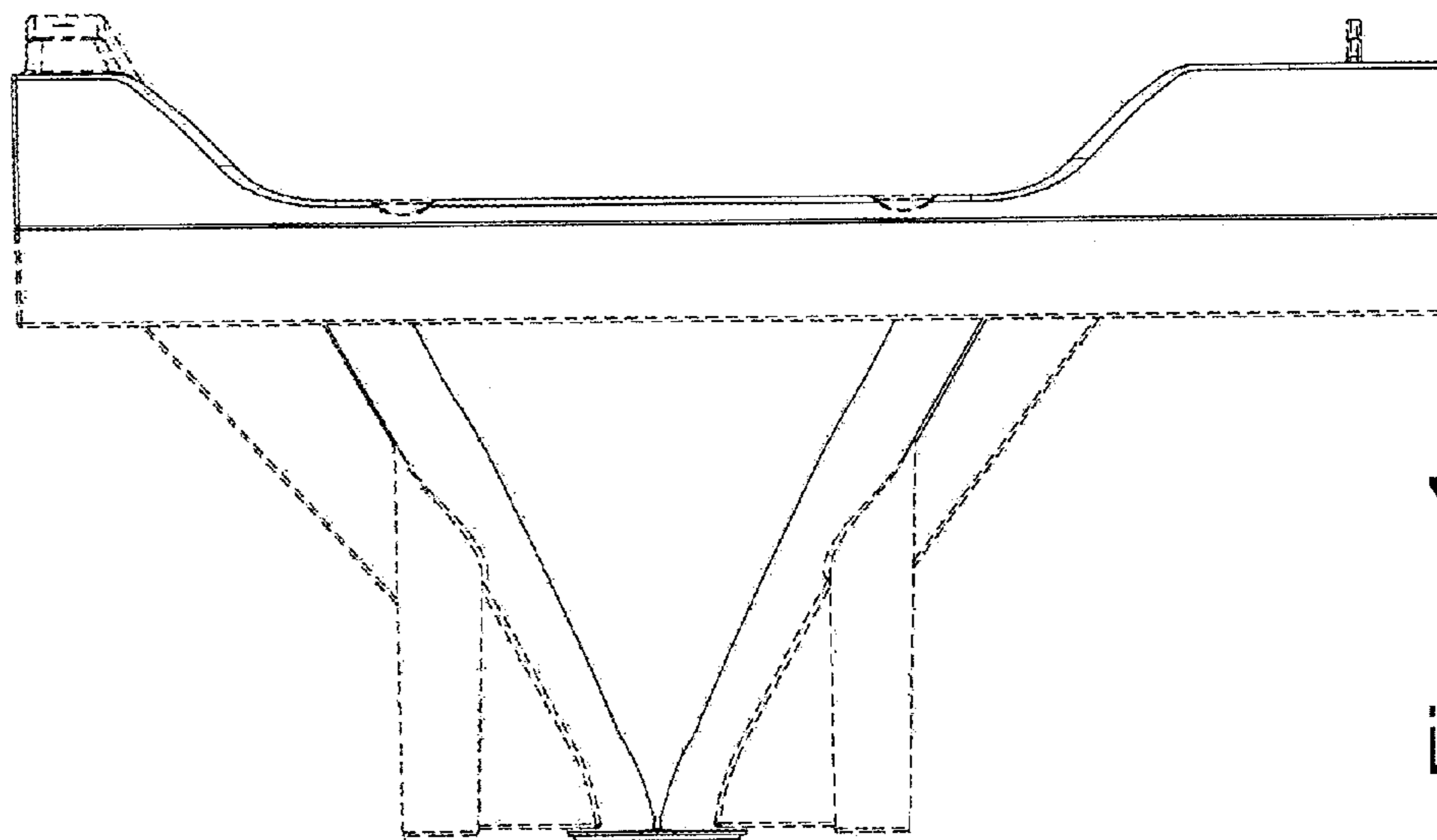


Fig. 4

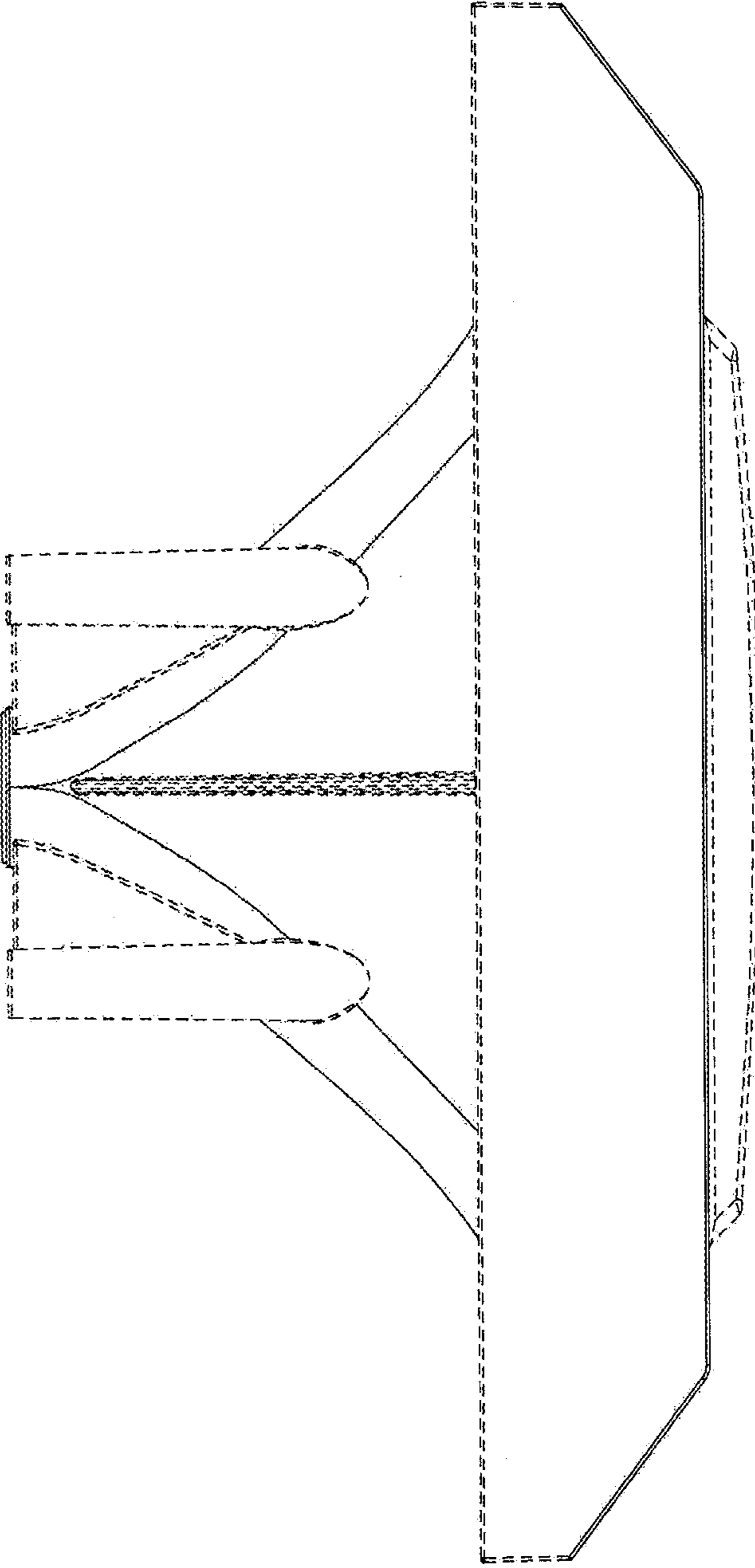


Fig. 6

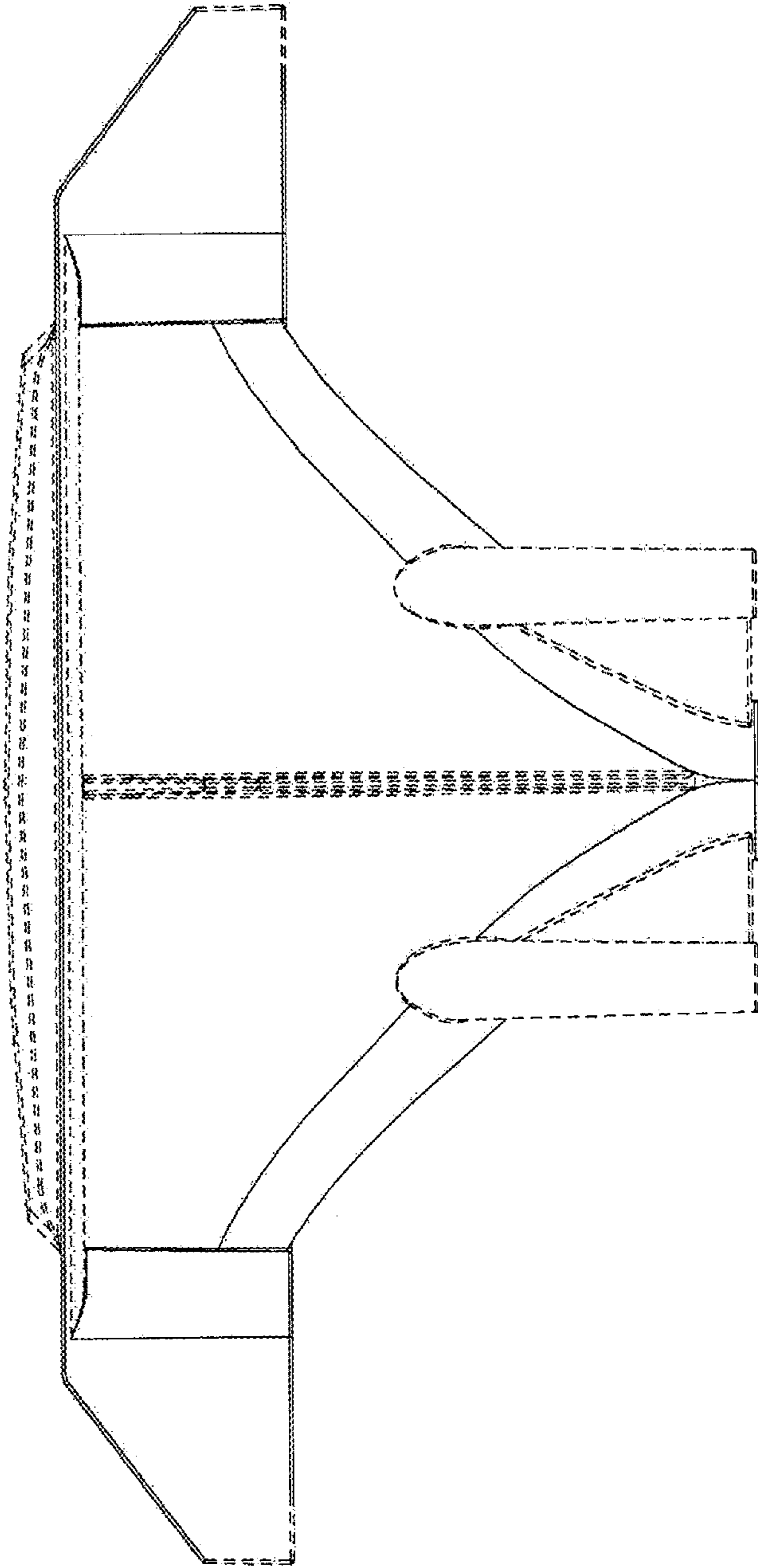


Fig. 7

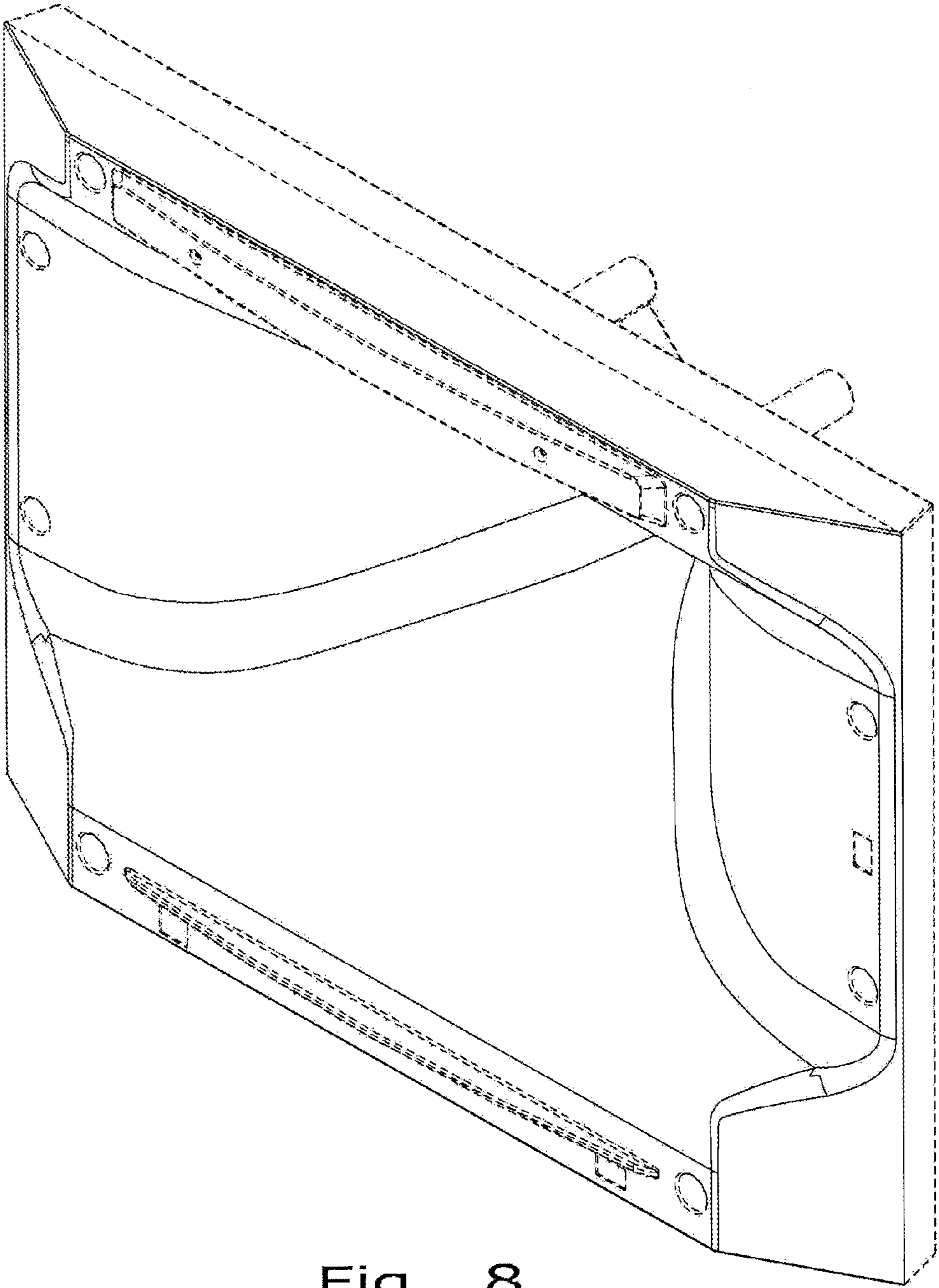


Fig. 8

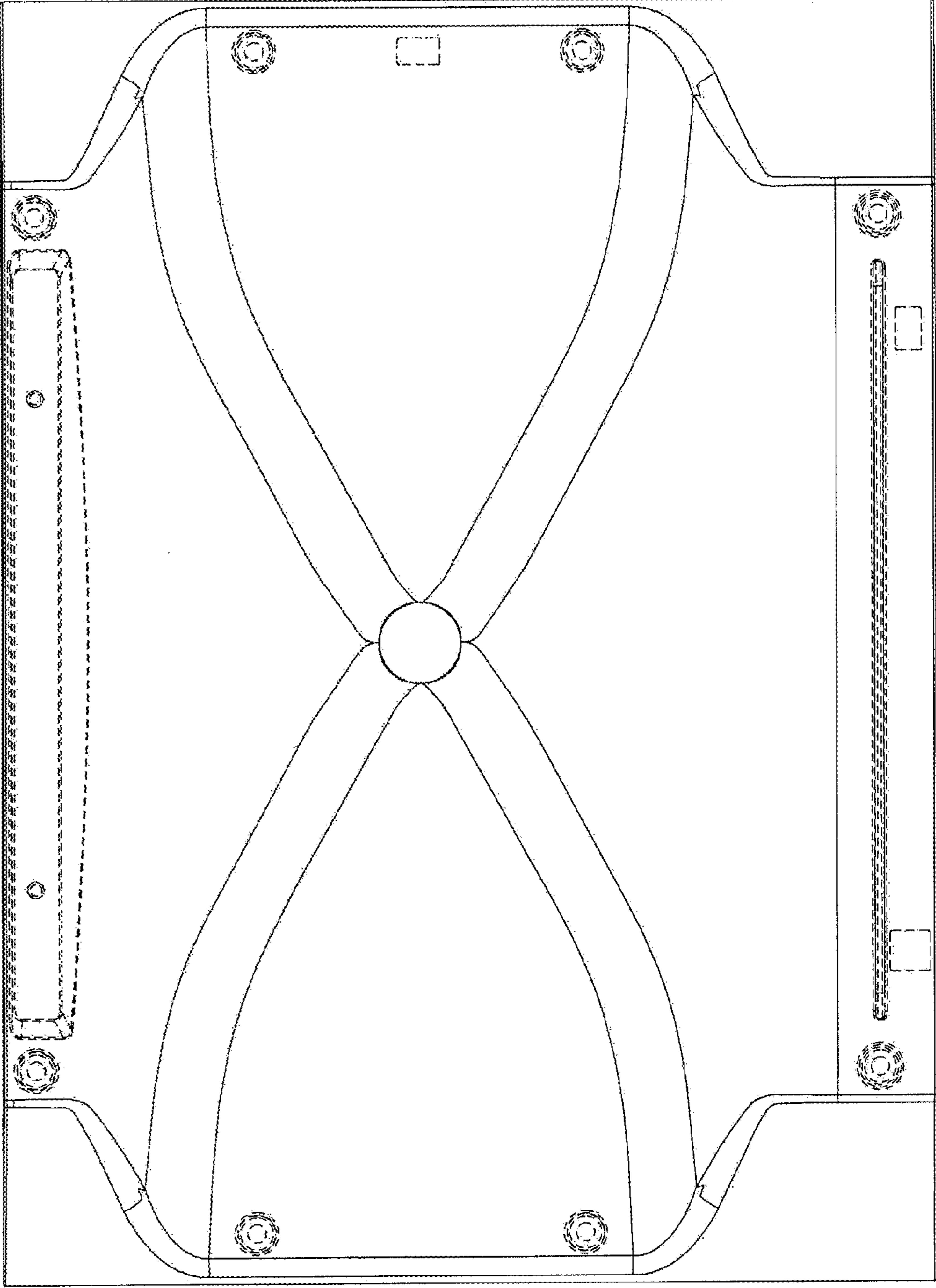


Fig. 9

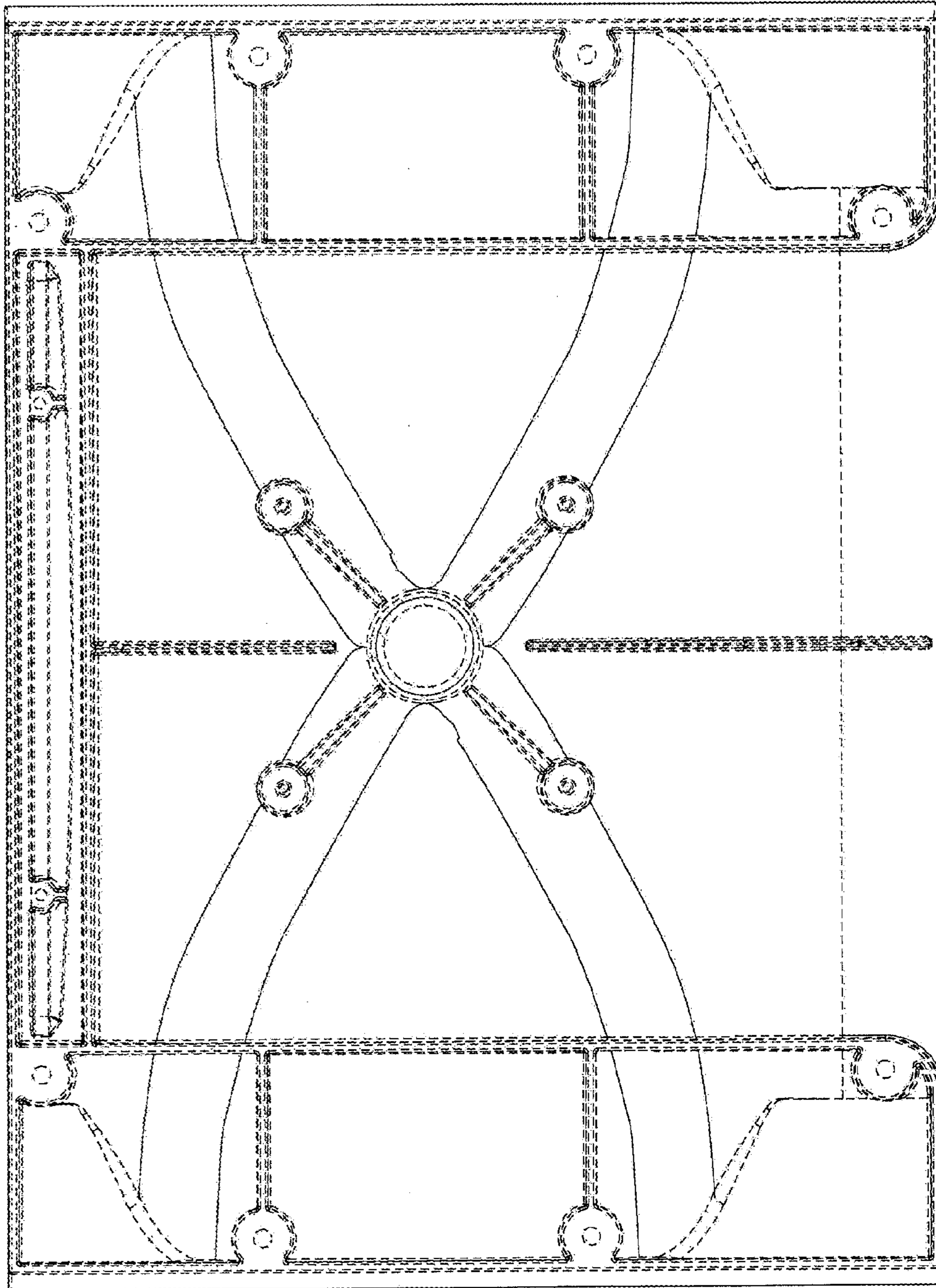


Fig. 10

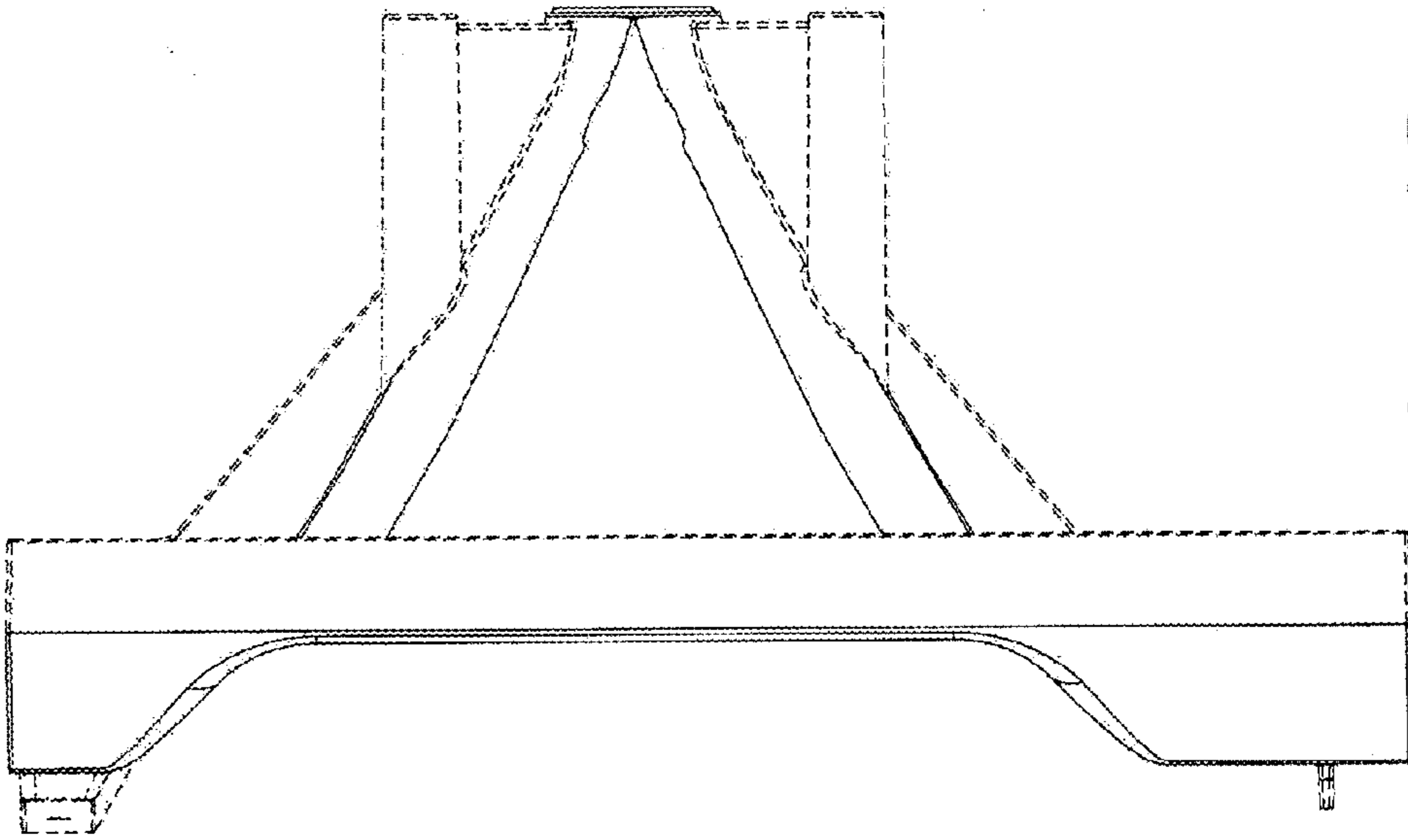


Fig. 12

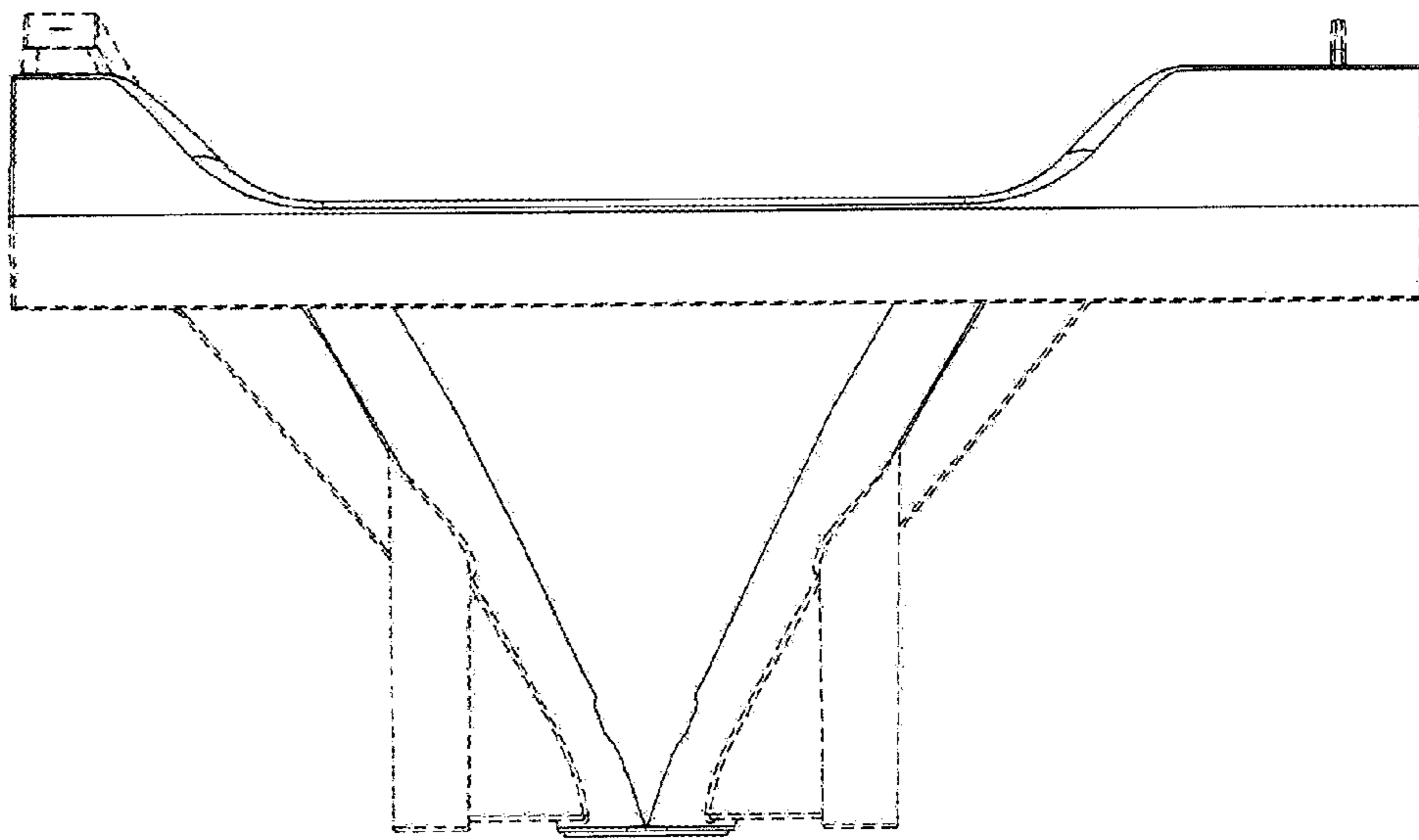


Fig. 11

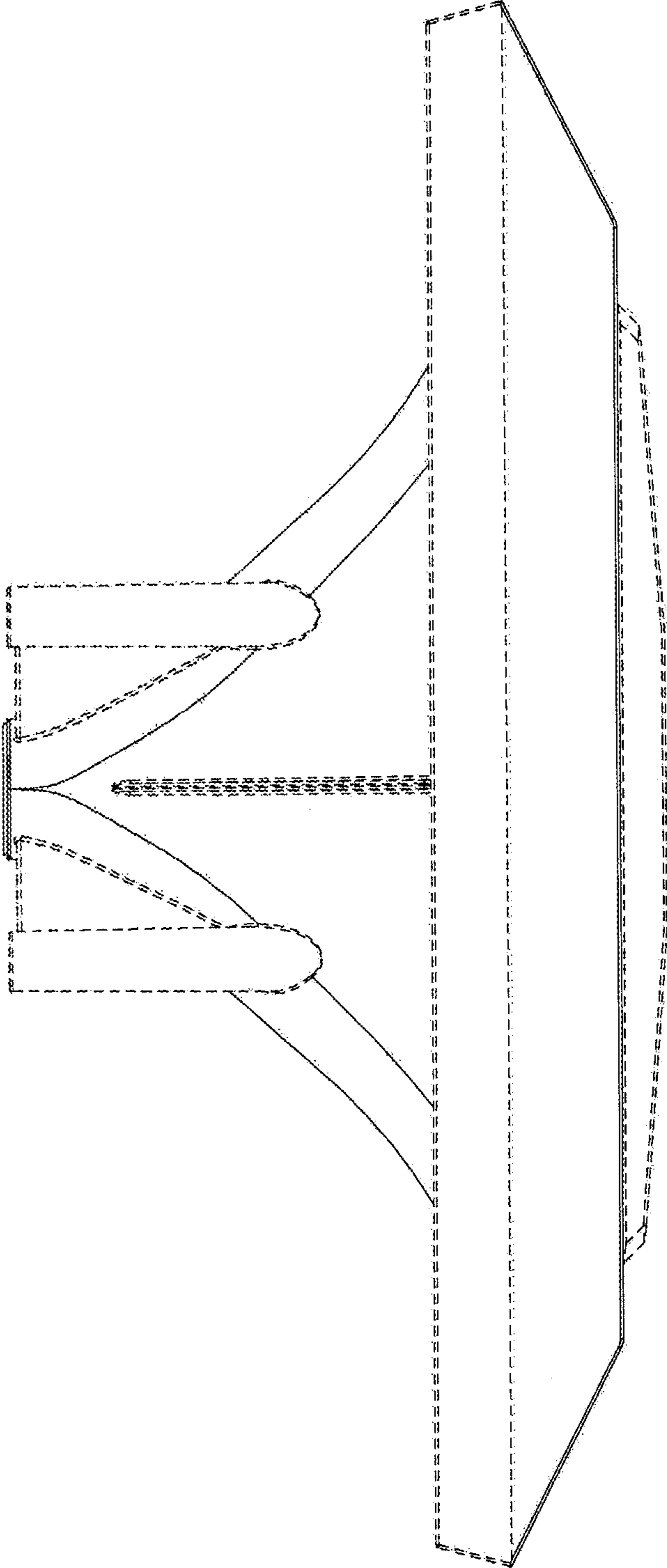


Fig. 13

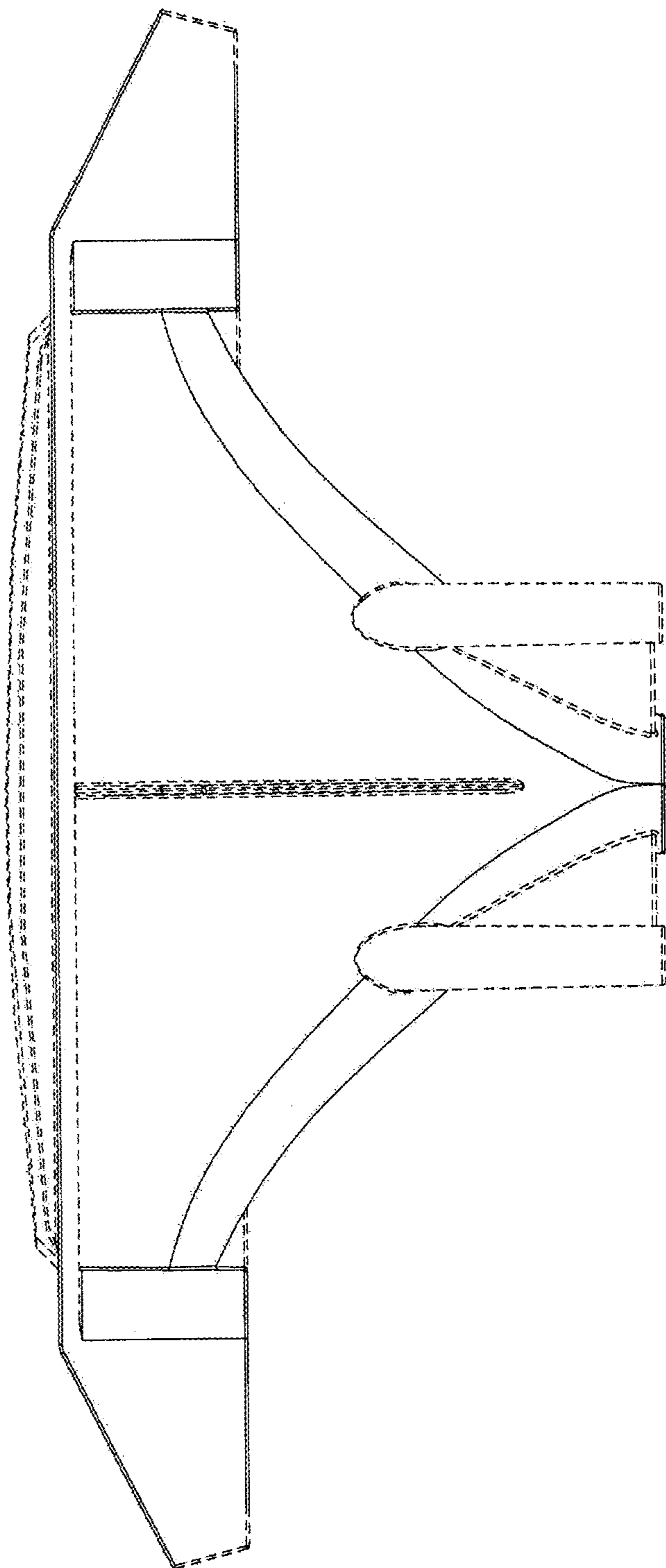


Fig. 14