



US00D704678S

(12) **United States Design Patent**  
**Katsumata**

(10) **Patent No.:** **US D704,678 S**

(45) **Date of Patent:** **\*\* May 13, 2014**

(54) **AUDIO PLAYER**

(71) Applicant: **Sony Corporation**, Tokyo (JP)

(72) Inventor: **Jun Katsumata**, Tokyo (JP)

(73) Assignee: **Sony Corporation**, Tokyo (JP)

(\*\*) Term: **14 Years**

(21) Appl. No.: **29/446,238**

(22) Filed: **Feb. 21, 2013**

(30) **Foreign Application Priority Data**

Aug. 27, 2012 (CN) ..... 2012 3 0406162

(51) **LOC (10) Cl.** ..... **14-01**

(52) **U.S. Cl.**  
USPC ..... **D14/209.1; D14/203.1; D14/496**

(58) **Field of Classification Search**

USPC ..... D14/216, 221, 222, 223, 224, 224.1,  
D14/218, 172, 168, 194, 195, 217, 207, 304,  
D14/356, 496, 203.1–203.8, 188; 181/144,  
181/145, 147, 148, 150, 153, 157, 198,  
181/199; 381/300–302, 306, 333, 345, 343,  
381/361–364, 386–388

See application file for complete search history.

(56) **References Cited**

**U.S. PATENT DOCUMENTS**

4,942,939 A \* 7/1990 Harrison ..... 181/156  
5,218,176 A \* 6/1993 Meyer, Jr. .... 181/199  
D410,649 S 6/1999 Kobayashi  
D475,361 S 6/2003 Yoneda et al.

D578,506 S 10/2008 Nakamura  
D585,423 S \* 1/2009 Yoneda ..... D14/216  
D601,545 S \* 10/2009 Joseph ..... D14/209.1  
7,639,478 B2 \* 12/2009 Wu et al. .... 361/679.01  
D618,214 S \* 6/2010 Wang et al. .... D14/209.1  
D620,923 S \* 8/2010 Orfali ..... D14/209.1  
D622,699 S \* 8/2010 Jiang et al. .... D14/209.1  
D625,288 S \* 10/2010 Ueda ..... D14/209.1  
D646,666 S 10/2011 Maeyama  
D651,193 S \* 12/2011 Chang ..... D14/209.1  
8,180,095 B2 \* 5/2012 Zhang ..... 381/387  
D674,776 S \* 1/2013 Cmehil ..... D14/209.1

\* cited by examiner

*Primary Examiner* — Prabhakar Deshmukh

(74) *Attorney, Agent, or Firm* — Rader, Fishman & Grauer  
PLLC

(57) **CLAIM**

The ornamental design for an audio player, as shown and described.

**DESCRIPTION**

FIG. 1 is a perspective view of an audio player showing my new design;  
FIG. 2 is a front elevational view thereof;  
FIG. 3 is a rear elevational view thereof;  
FIG. 4 is a left side elevational view thereof;  
FIG. 5 is a right side elevational view thereof;  
FIG. 6 is a top plan view thereof; and,  
FIG. 7 is a bottom plan view thereof.

Portions shown as broken lines are for illustrative purposes only and form no part of the claimed design. Dot-dash broken lines define the boundaries of, but not included in, the claimed design.

**1 Claim, 7 Drawing Sheets**

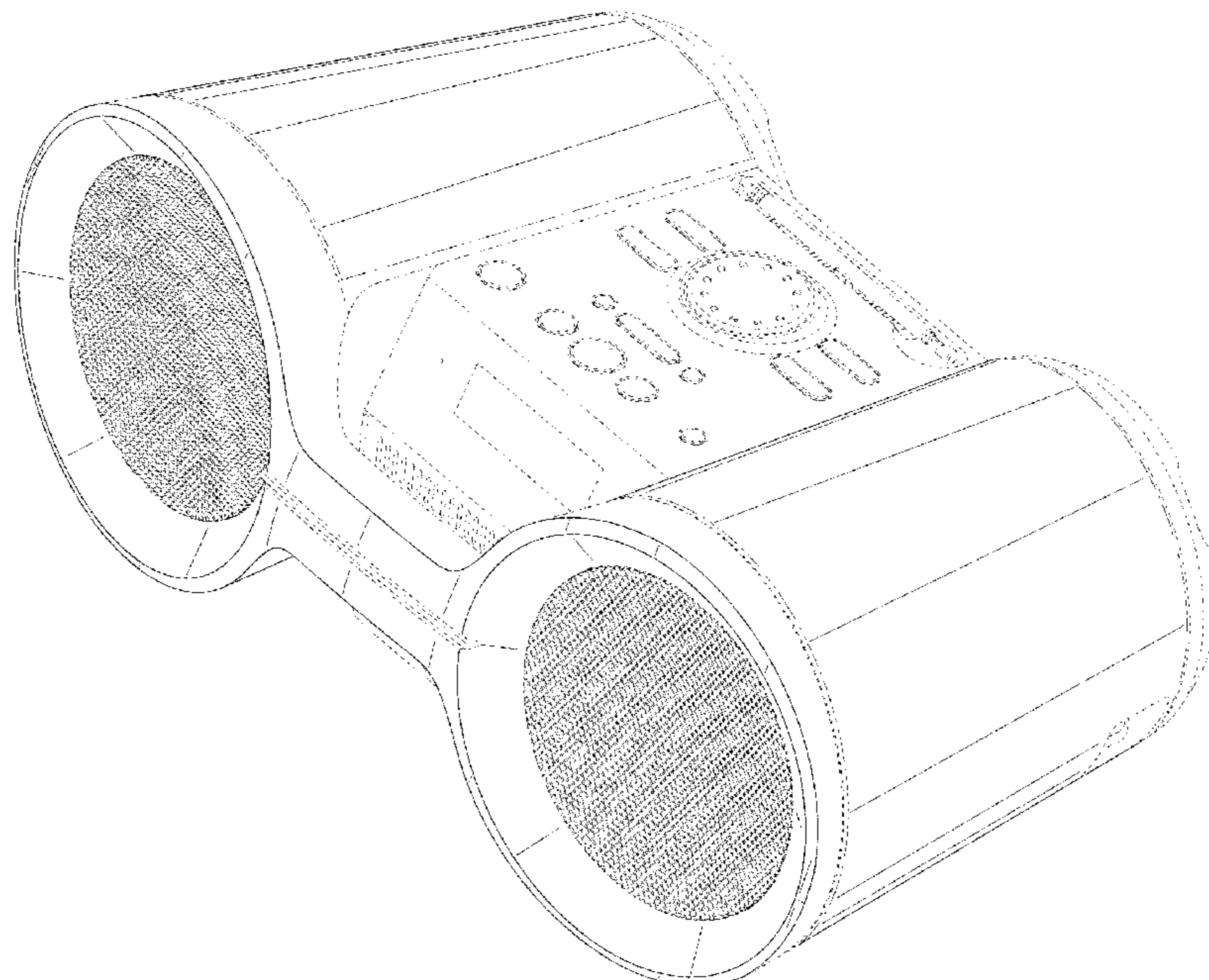


FIG.1

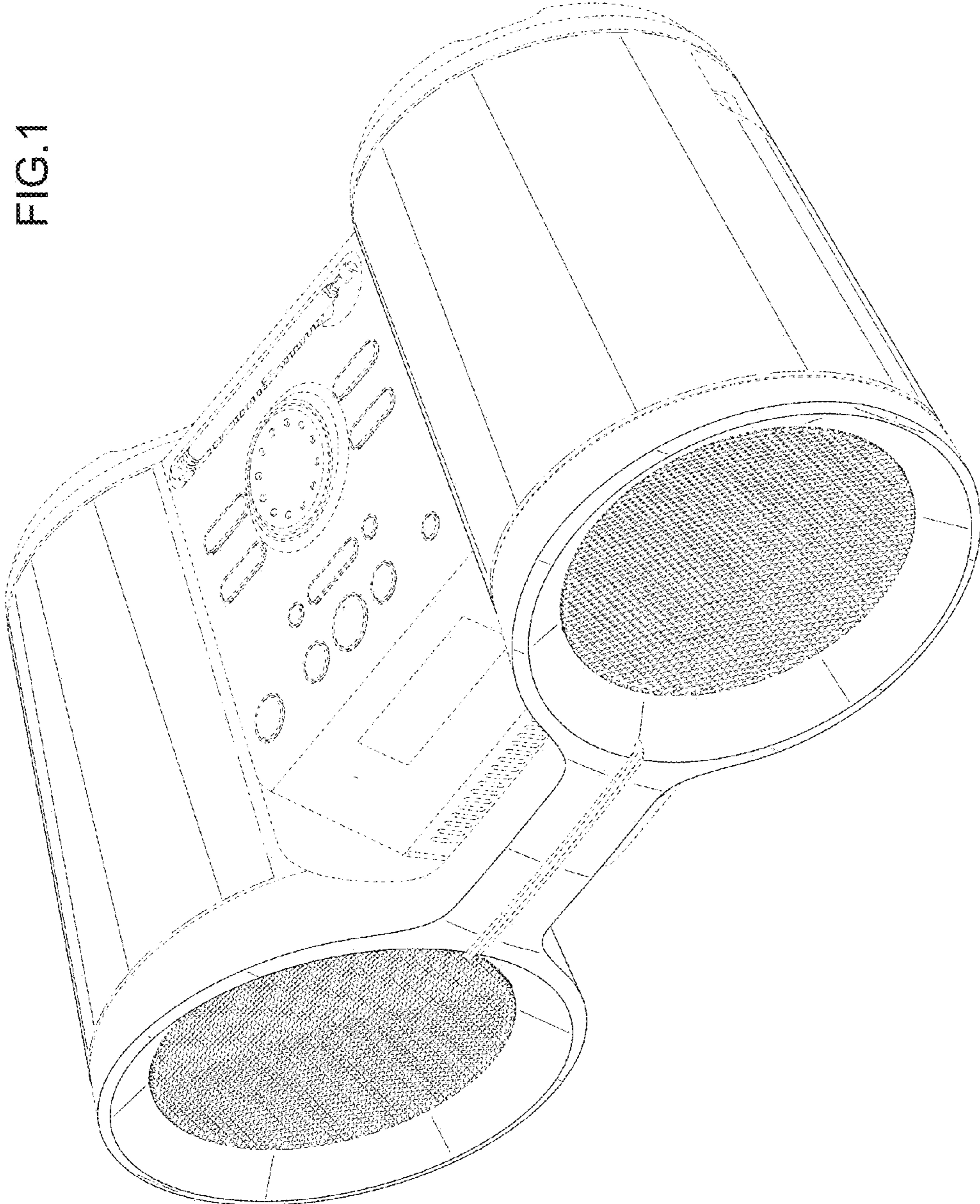


FIG.2

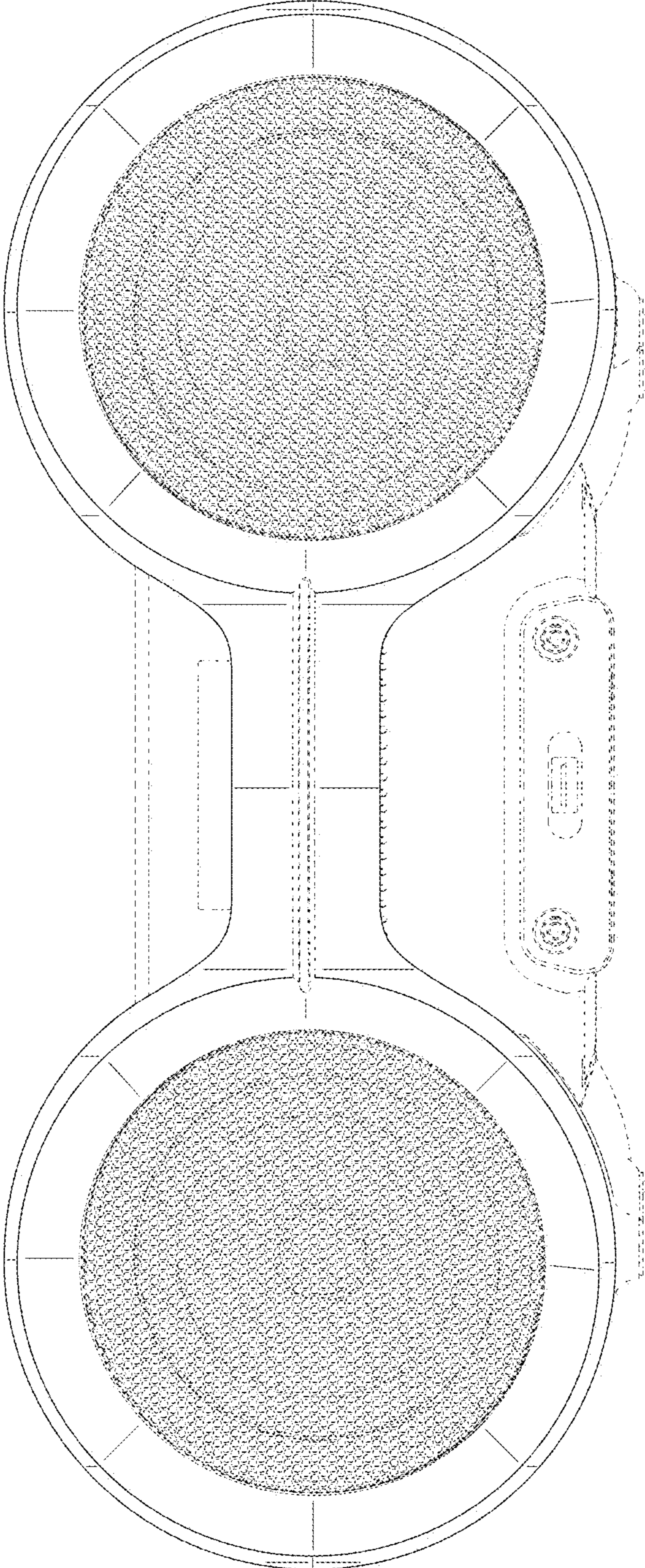


FIG.3

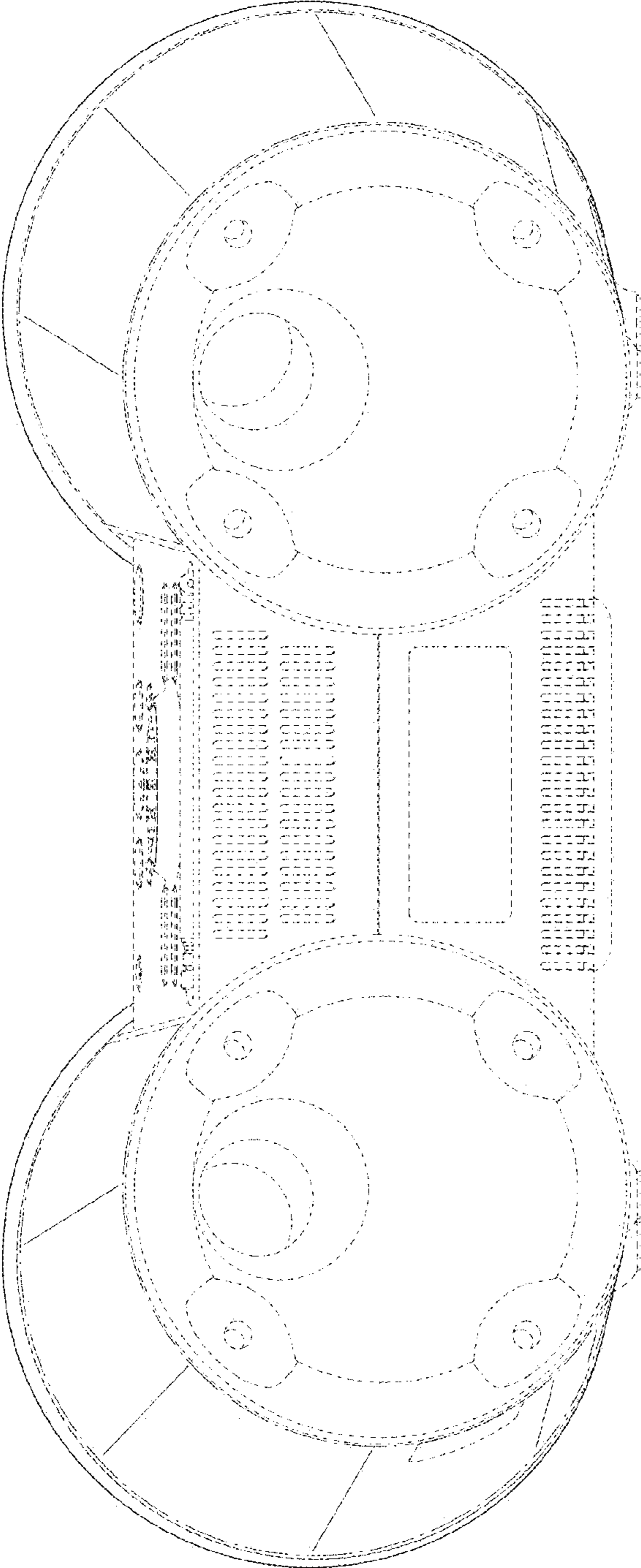


FIG.4

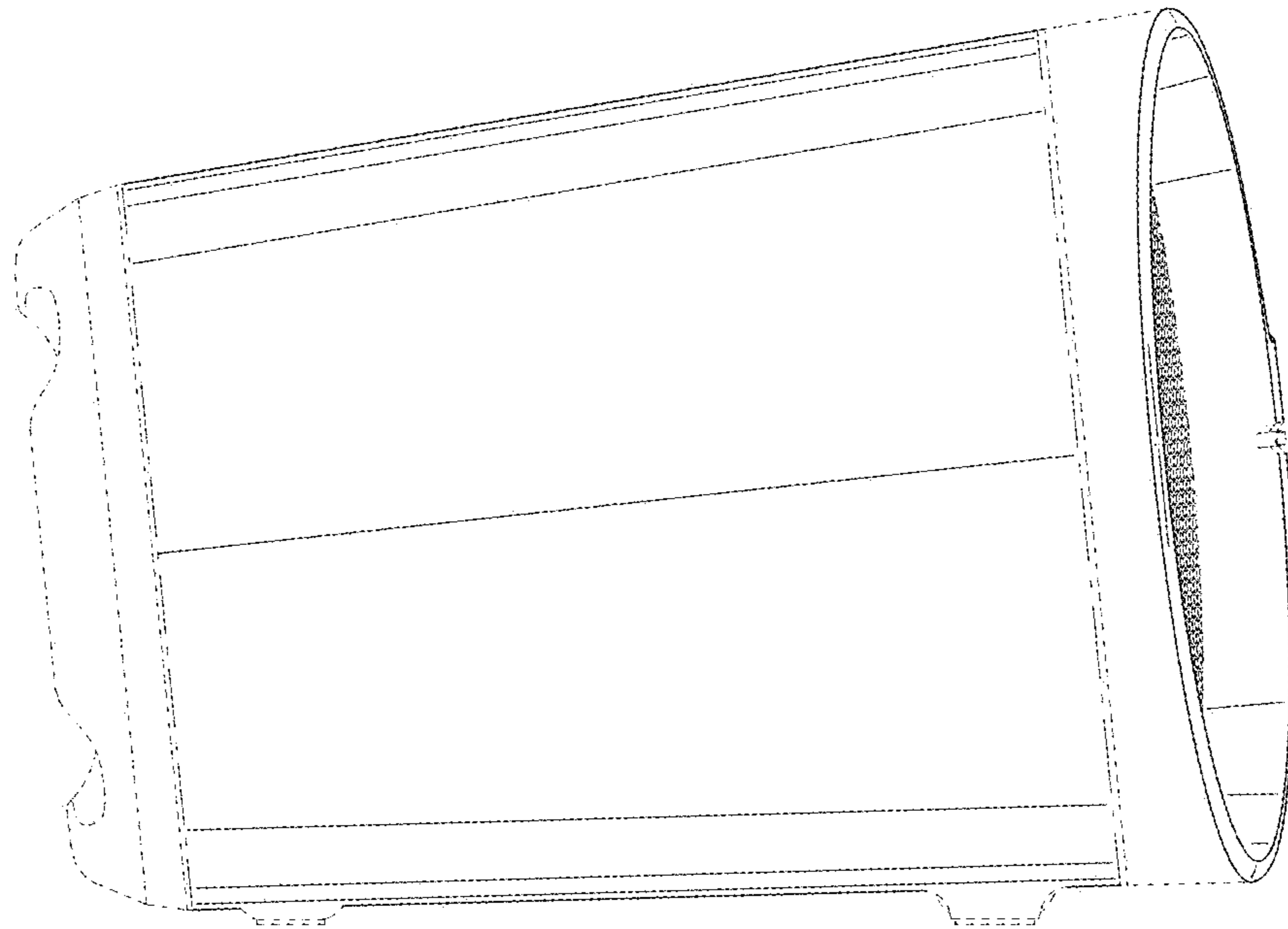


FIG. 5

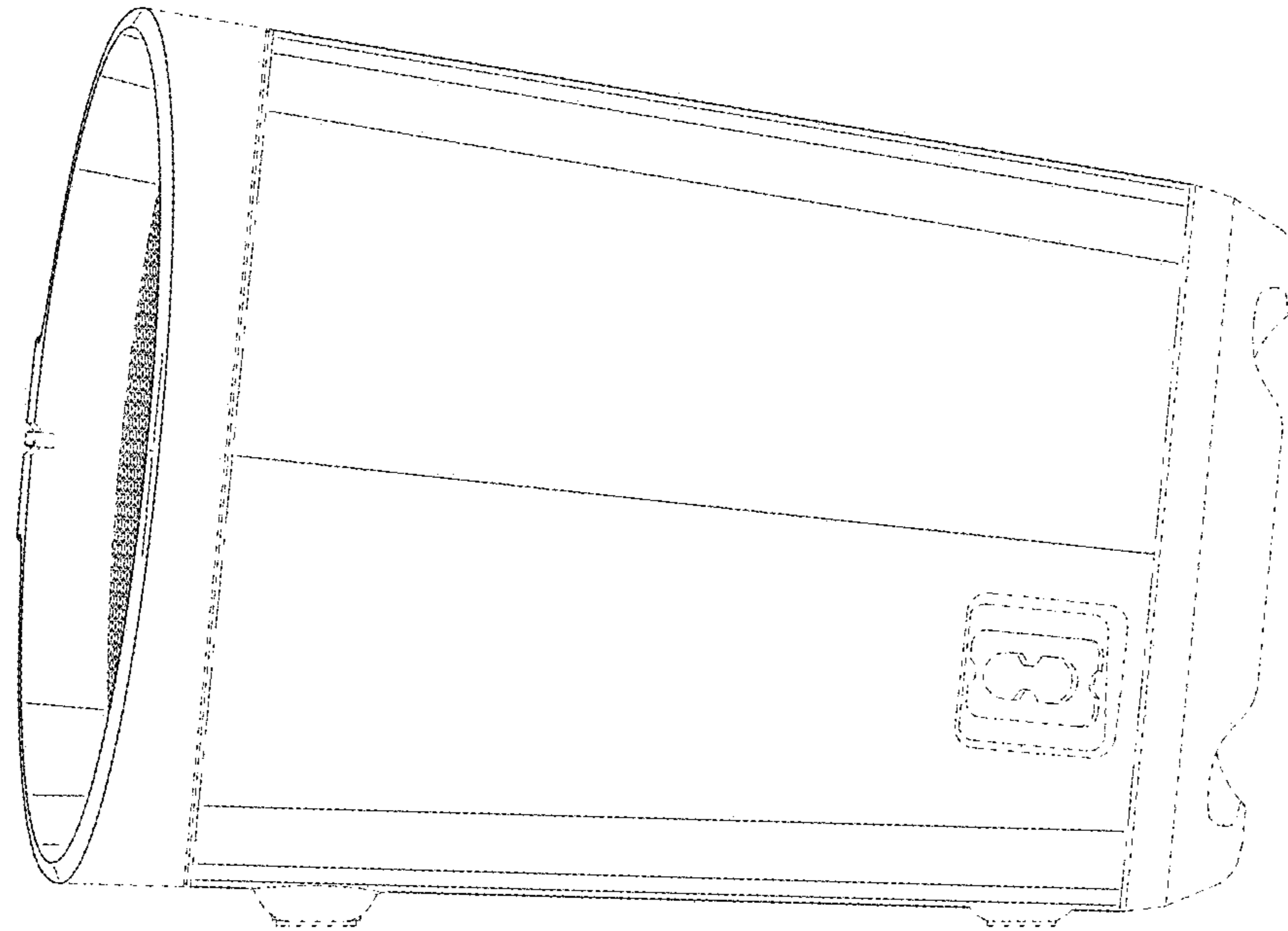


FIG.6

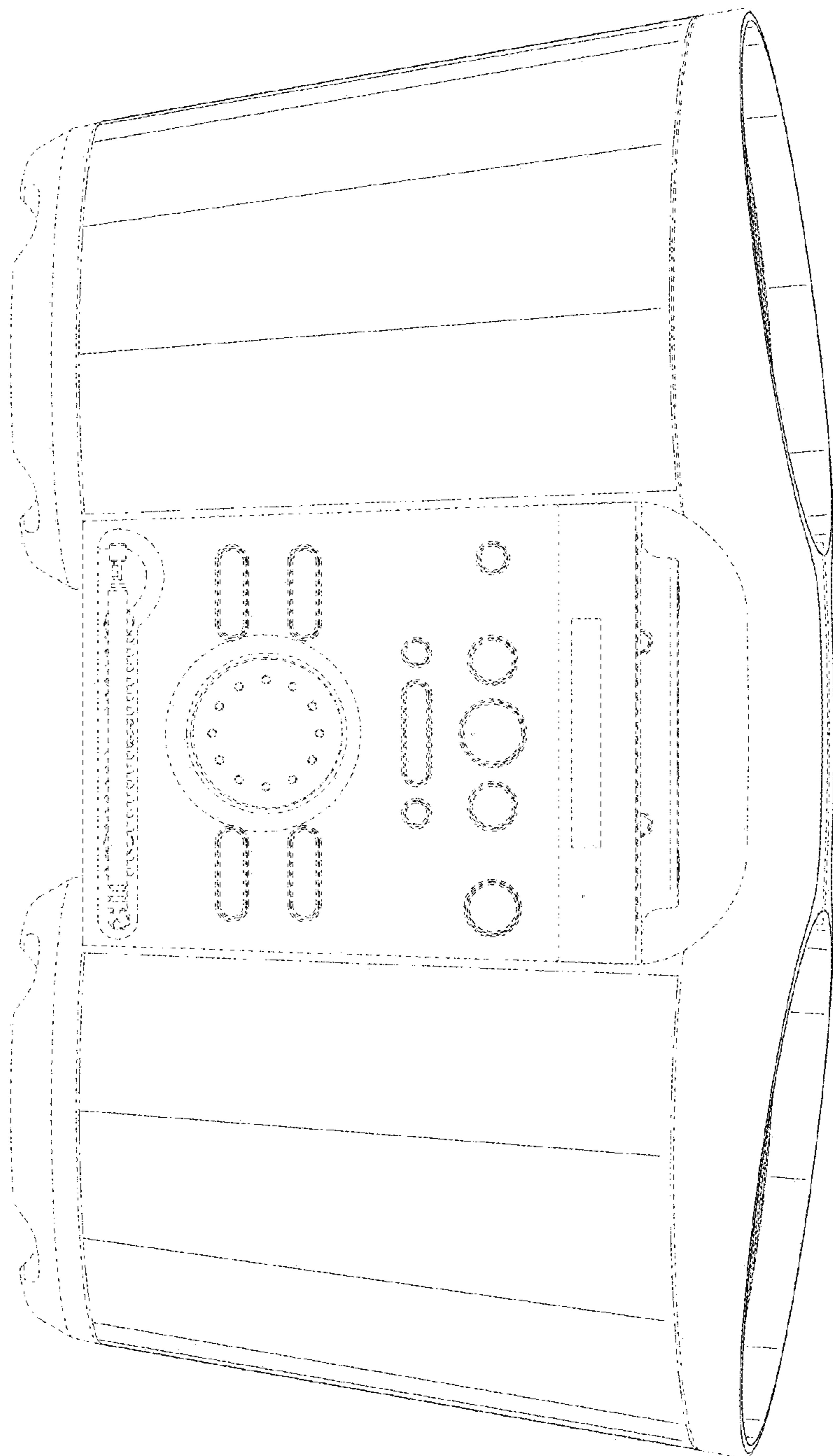


FIG. 7

