



US00D704677S

(12) **United States Design Patent**
Chen et al.

(10) **Patent No.:** **US D704,677 S**

(45) **Date of Patent:** **** May 13, 2014**

(54) **HEADPHONE**

(71) Applicant: **Shenzhen Juwei Electronics Co., Ltd.**,
Guangdong (CN)

(72) Inventors: **Gaofeng Chen**, Guangdong (CN); **Peng Jiang**, Guangdong (CN)

(73) Assignee: **Shenzhen Juwei Electronics Co., Ltd.**,
Guangdong (CN)

(**) Term: **14 Years**

(21) Appl. No.: **29/452,128**

(22) Filed: **Apr. 12, 2013**

(51) **LOC (10) Cl.** **14-01**

(52) **U.S. Cl.**

CPC **H04S 1/005** (2013.01)

USPC **D14/205**

(58) **Field of Classification Search**

CPC H04S 1/005

USPC D14/205; D29/112; 2/209; 181/129,

181/130, 135; 379/430, 431; 381/380, 381,

381/371, 383, 374, 382; 455/90.3, 575.1

See application file for complete search history.

(56) **References Cited**

U.S. PATENT DOCUMENTS

4,404,434 A * 9/1983 Pelt et al. 381/383
6,081,604 A * 6/2000 Hikichi et al. 381/371
D512,708 S * 12/2005 Harris et al. D14/205
7,072,483 B2 * 7/2006 Lenhard-Backhaus 381/383

D534,155 S * 12/2006 Obata D14/205
D573,581 S * 7/2008 Gondo et al. D14/205
D588,100 S * 3/2009 Densho et al. D14/205
D625,705 S * 10/2010 Ohori et al. D14/205
D632,668 S * 2/2011 Brunner et al. D14/205
D634,732 S * 3/2011 Kondo et al. D14/205
D673,136 S * 12/2012 Kelly et al. D14/205
D673,518 S * 1/2013 Tan D14/205
D675,595 S * 2/2013 Cho et al. D14/205
D678,860 S * 3/2013 Hagelin D14/205
D683,329 S * 5/2013 Hagelin D14/205
D690,283 S * 9/2013 Lee et al. D14/205

* cited by examiner

Primary Examiner — Paula Greene

(74) *Attorney, Agent, or Firm* — Rosenberg, Klein & Lee

(57) **CLAIM**

The ornamental design for a headphone, as shown and described.

DESCRIPTION

FIG. 1 is a front elevational view of a headphone showing my new design;

FIG. 2 is a rear elevational view thereof;

FIG. 3 is a left-side elevational view thereof;

FIG. 4 is a right-side elevational view thereof;

FIG. 5 is a top plan view thereof;

FIG. 6 is a bottom plan view thereof; and,

FIG. 7 is a perspective view thereof shown in an alternative position.

1 Claim, 6 Drawing Sheets

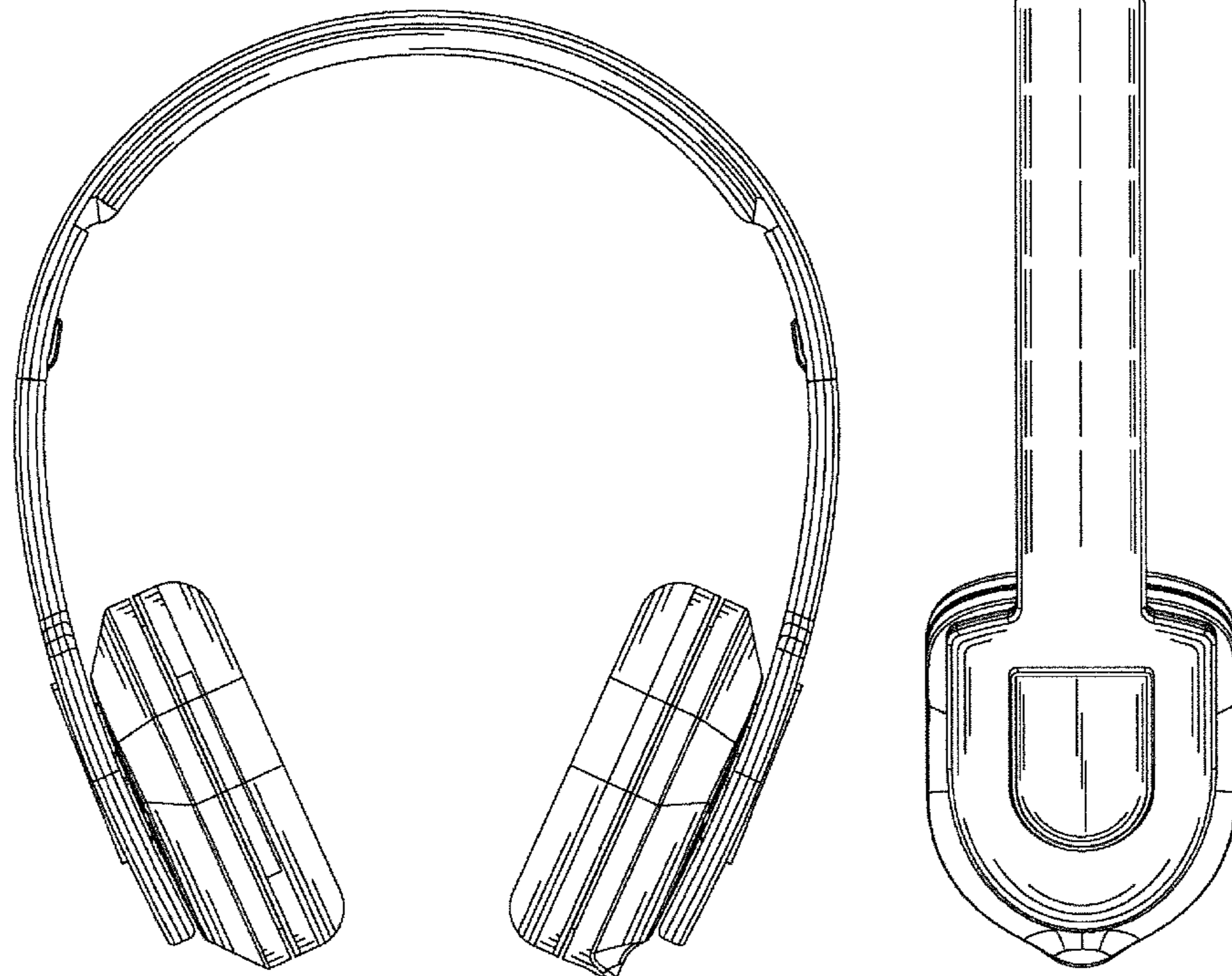




FIG. 1



FIG. 2

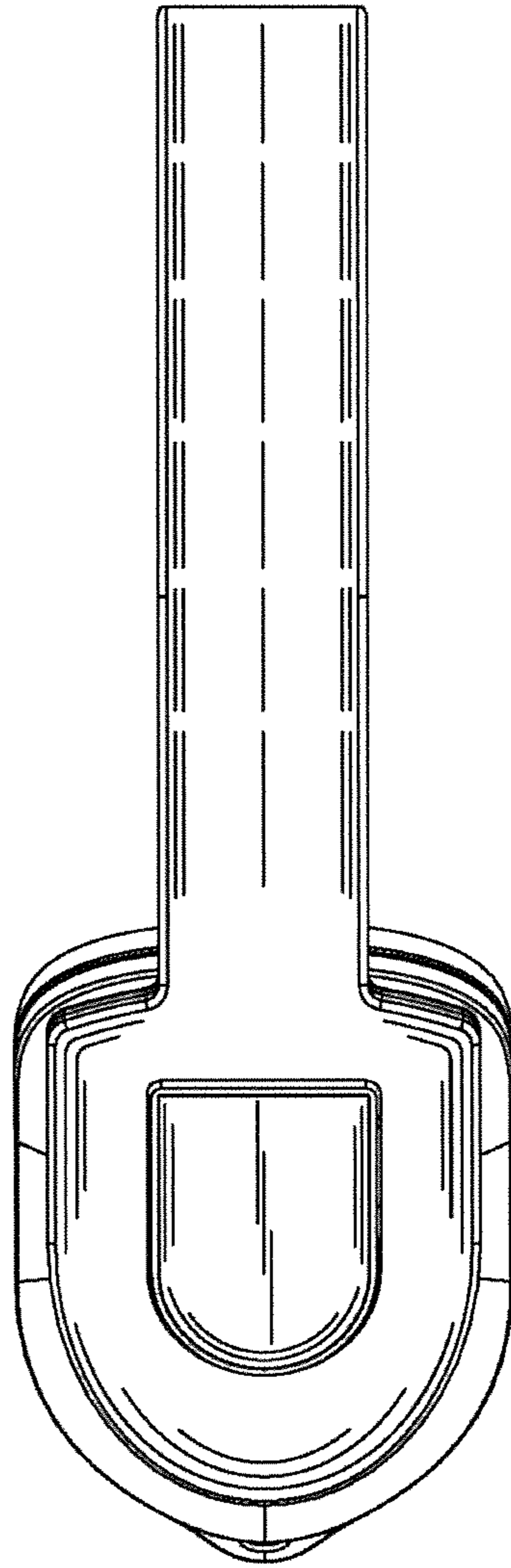


FIG. 3

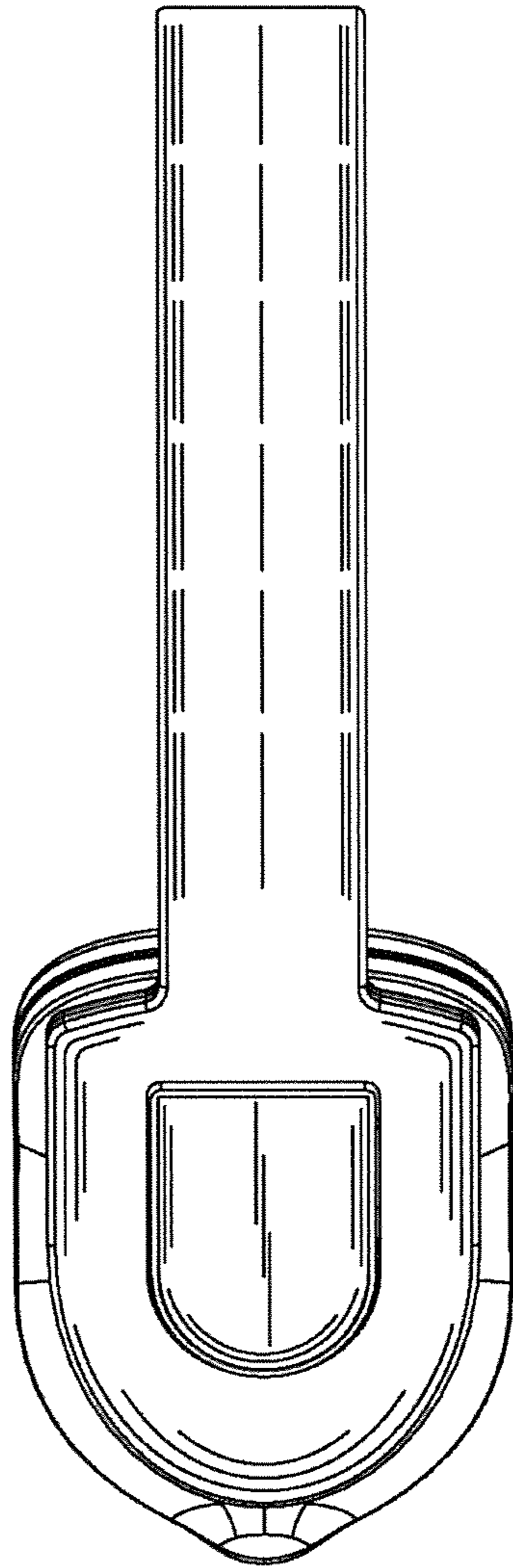


FIG. 4

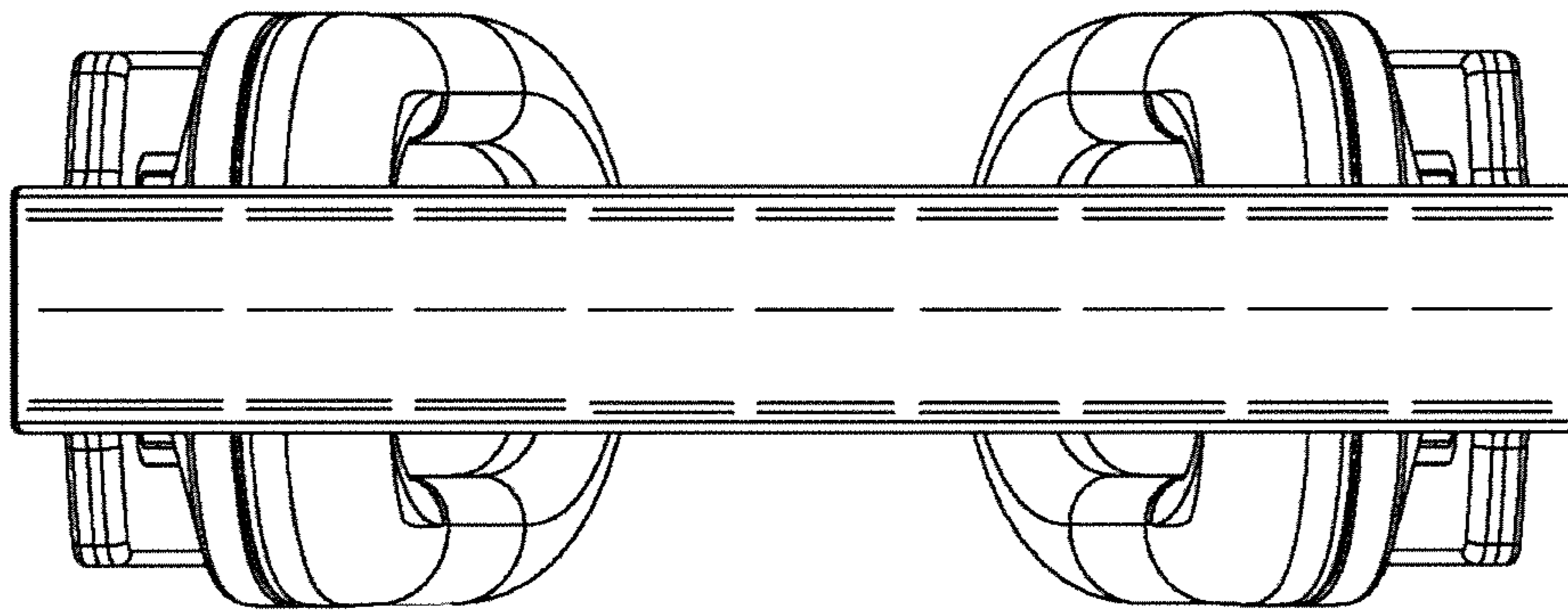


FIG. 5

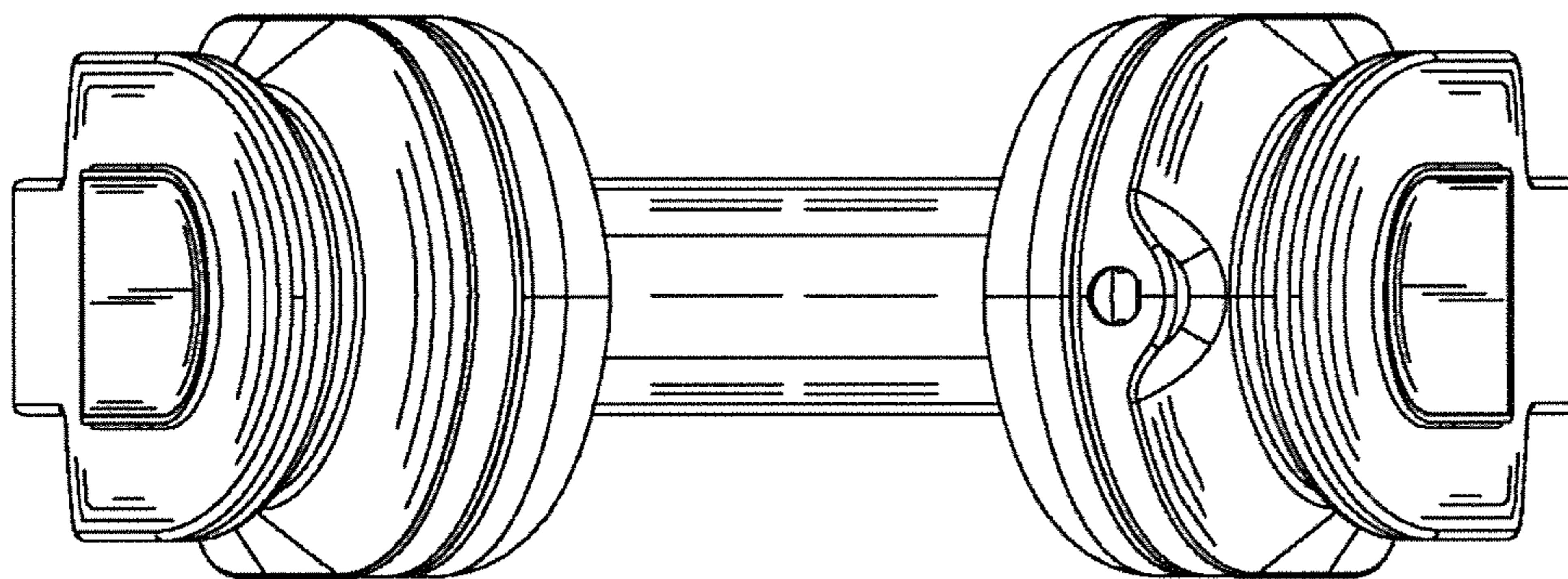


FIG. 6

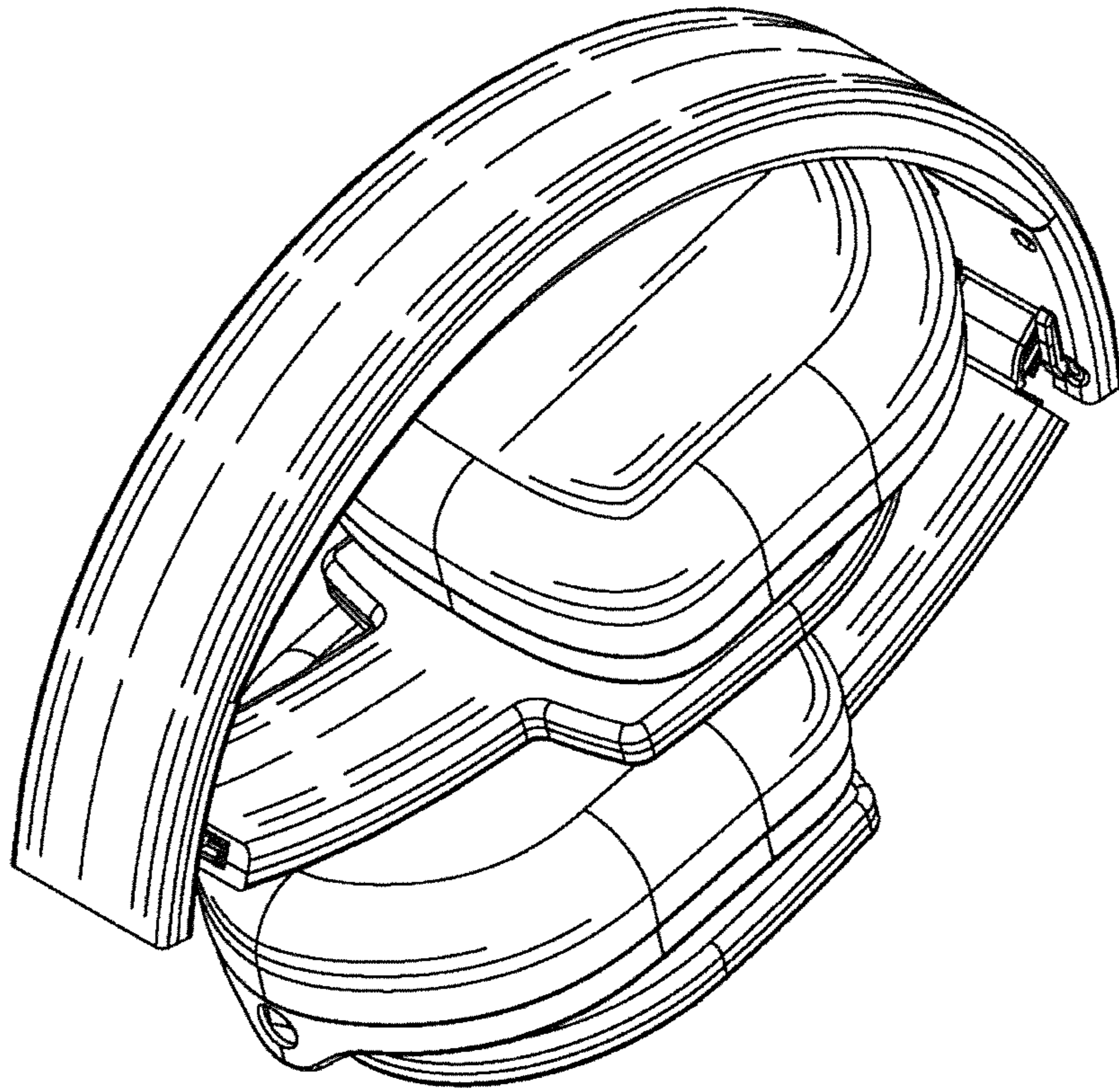


FIG. 7