



US00D704676S

(12) **United States Design Patent**
Krisztal

(10) **Patent No.:** **US D704,676 S**

(45) **Date of Patent:** **** May 13, 2014**

(54) **HEADPHONE ASSEMBLY**

(71) Applicant: **The Ketchum Group, Inc.**, Inglewood, CA (US)

(72) Inventor: **Michael Craig Krisztal**, Los Angeles, CA (US)

(73) Assignee: **The Ketchum Group, Inc.**, Los Angeles, CA (US)

(**) Term: **14 Years**

(21) Appl. No.: **29/441,581**

(22) Filed: **Jan. 7, 2013**

(51) **LOC (10) Cl.** **14-01**

(52) **U.S. Cl.**
CPC **H04S 1/005** (2013.01)
USPC **D14/205**

(58) **Field of Classification Search**
USPC D14/205; D29/112; 2/209; D28/76, 78, D28/91; D9/430; 181/129, 130, 131; 379/430, 431; 381/380, 381, 370, 376; 455/90.3, 575.1

See application file for complete search history.

(56) **References Cited**

U.S. PATENT DOCUMENTS

1,628,483	A	*	5/1927	Wiegand et al.	2/174
1,936,273	A	*	11/1933	Segal	70/456 R
D194,152	S	*	11/1962	Noyes	D14/205
D269,611	S	*	7/1983	Saito	D14/205
D292,331	S	*	10/1987	Bryant	D29/112
D305,072	S	*	12/1989	Ferguson	D28/9
D323,043	S	*	1/1992	Lofton	D29/112
D333,659	S	*	3/1993	Williams	D14/205
D351,387	S	*	10/1994	Roberts	D24/175
D399,206	S	*	10/1998	Yasutomi et al.	D14/205
5,875,956	A	*	3/1999	Benarrouch	229/110
D453,015	S	*	1/2002	Yuyama	D14/205

D495,247	S	*	8/2004	Keberlein	D9/418
7,310,427	B2	*	12/2007	Retchin et al.	381/380
7,395,090	B2		7/2008	Alden		
7,761,091	B2		7/2010	Dunn et al.		
D623,627	S		9/2010	Alden et al.		
D624,057	S		9/2010	Kelly et al.		
D641,003	S		7/2011	Alden		
8,014,824	B2		9/2011	Alden		
D650,356	S		12/2011	Alden et al.		
D656,129	S		3/2012	Kelly et al.		
8,208,672	B2	*	6/2012	Nageno et al.	381/374
D665,776	S		8/2012	Alden et al.		
D665,777	S		8/2012	Alden et al.		

* cited by examiner

Primary Examiner — Paula Greene

(74) *Attorney, Agent, or Firm* — Tsircou Law, P.C.

(57) **CLAIM**

I claim the ornamental design for a headphone assembly, as shown and described.

DESCRIPTION

FIG. 1 is a top view of a headphone assembly in accordance with the new design, depicting two earpieces connected by a flexible cord.

FIG. 2 is a bottom view thereof, depicting two earpieces connected by a flexible cord.

FIG. 3 is a left side elevational view thereof, the cord is drawn broken away for purposes of illustration;

FIG. 4 is a right side elevational view thereof;

FIG. 5 is a left back elevational view thereof;

FIG. 6 is a right back elevational view thereof;

FIG. 7 is an opposite side left elevational view thereof;

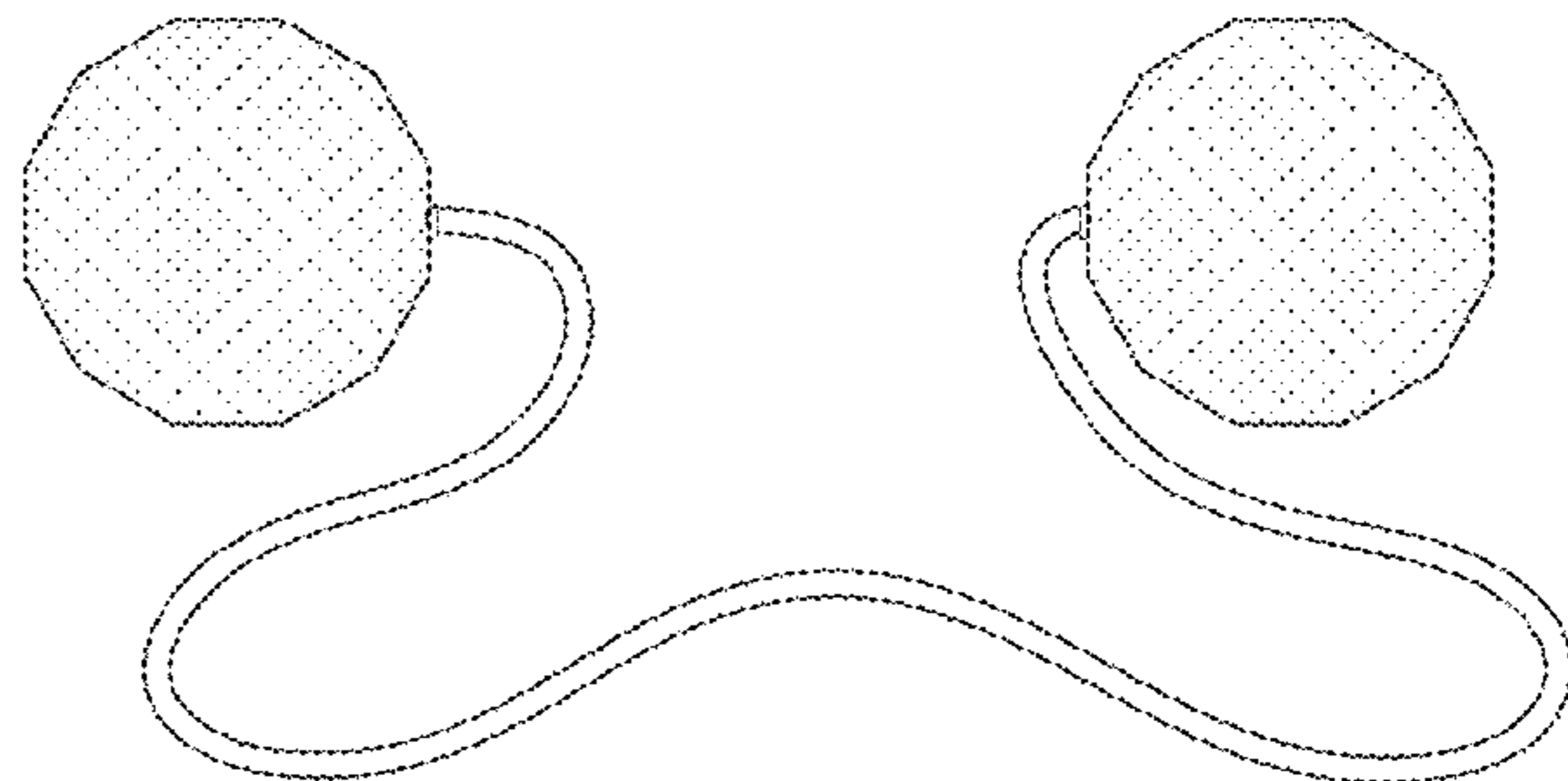
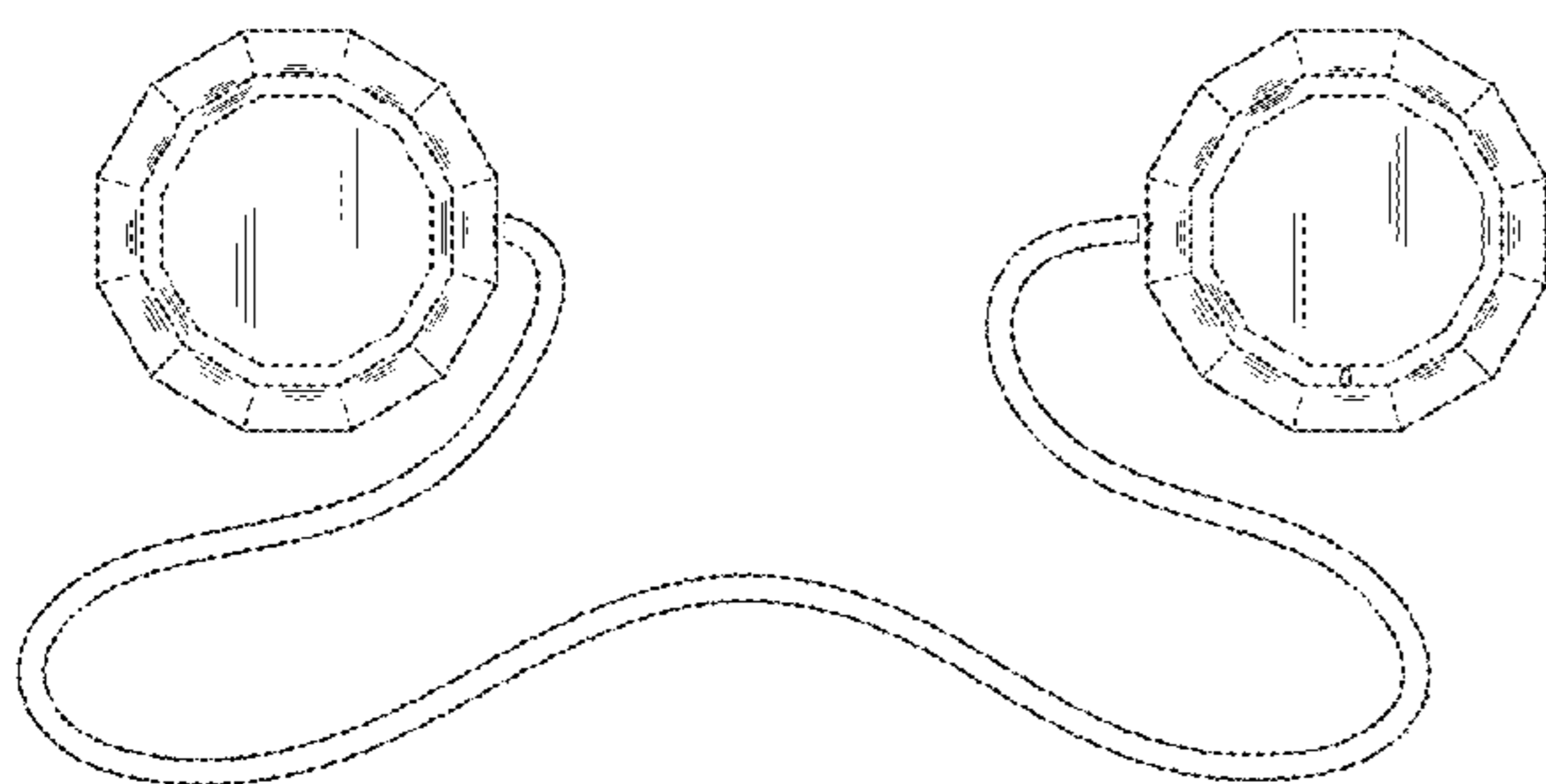
FIG. 8 is an opposite right side elevational view thereof;

FIG. 9 is a left front elevational view thereof; and,

FIG. 10 is a right front elevational view thereof.

The dashed lines depict environmental aspects and form no part of the claimed design.

1 Claim, 2 Drawing Sheets



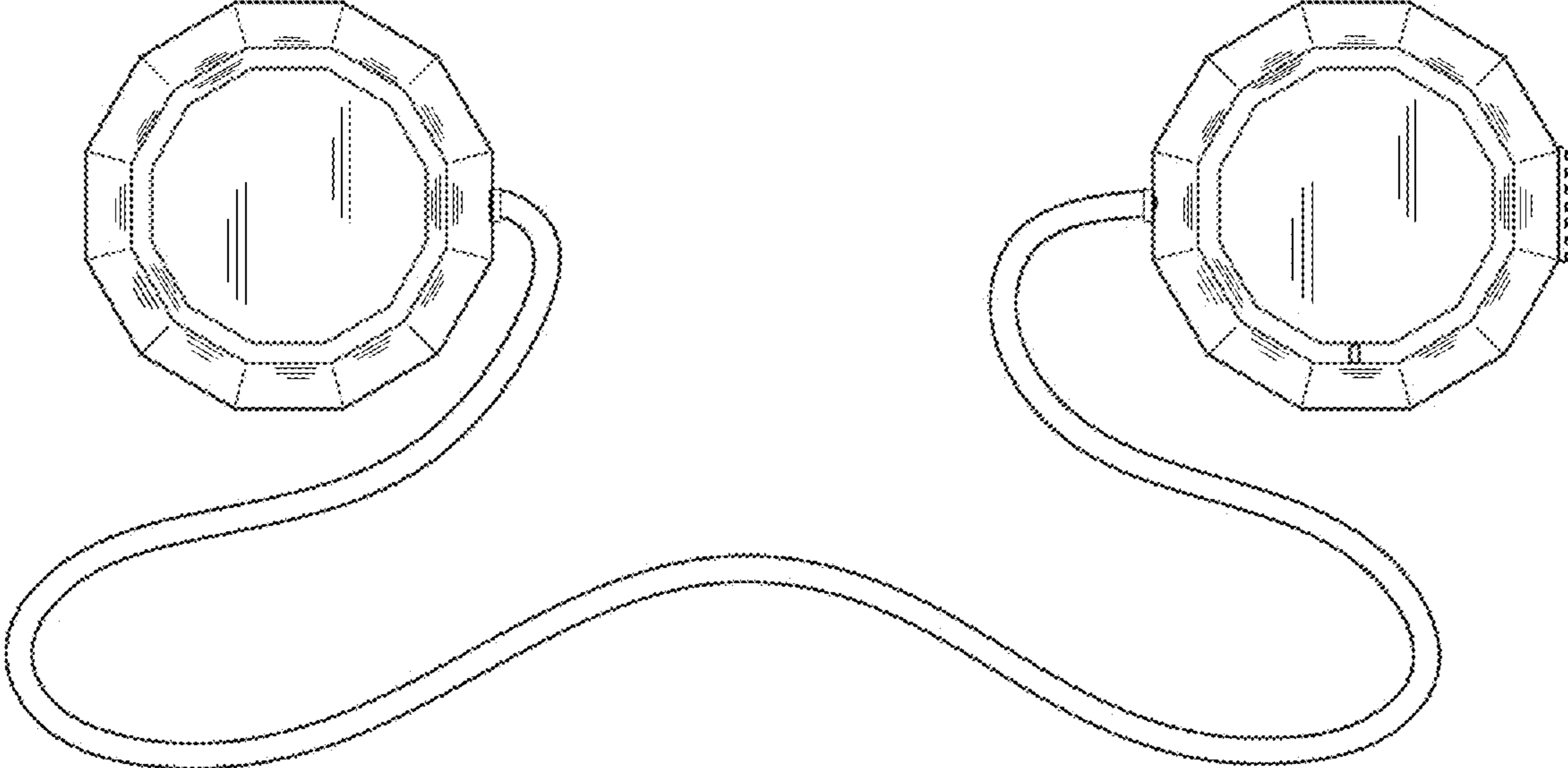


FIG. 1

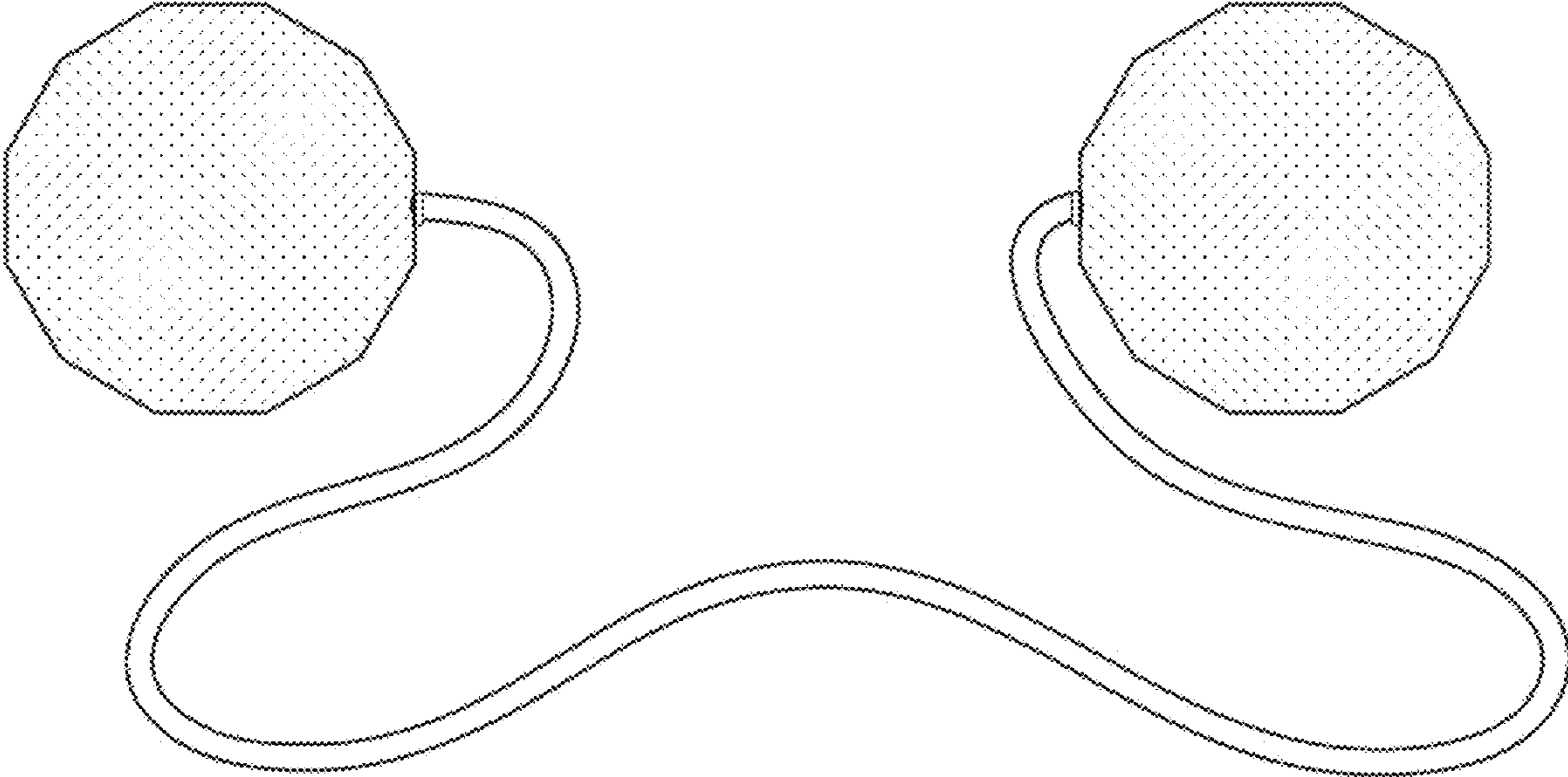


FIG. 2

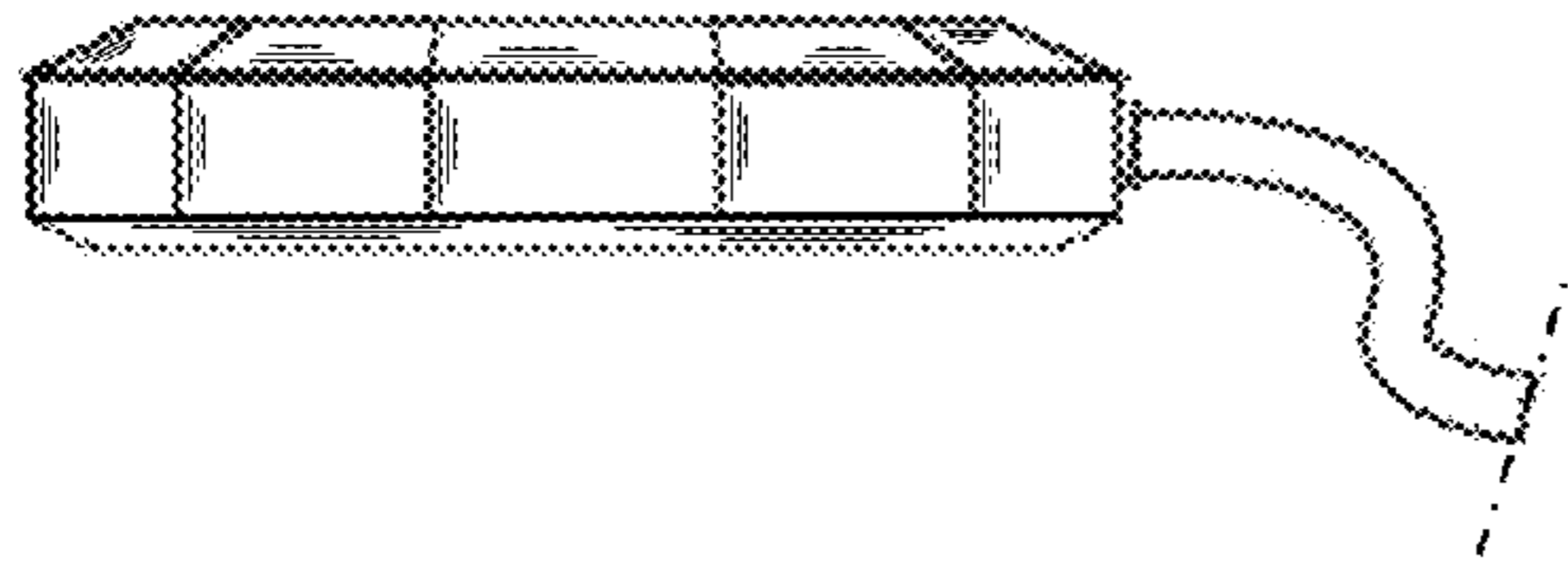


FIG. 3

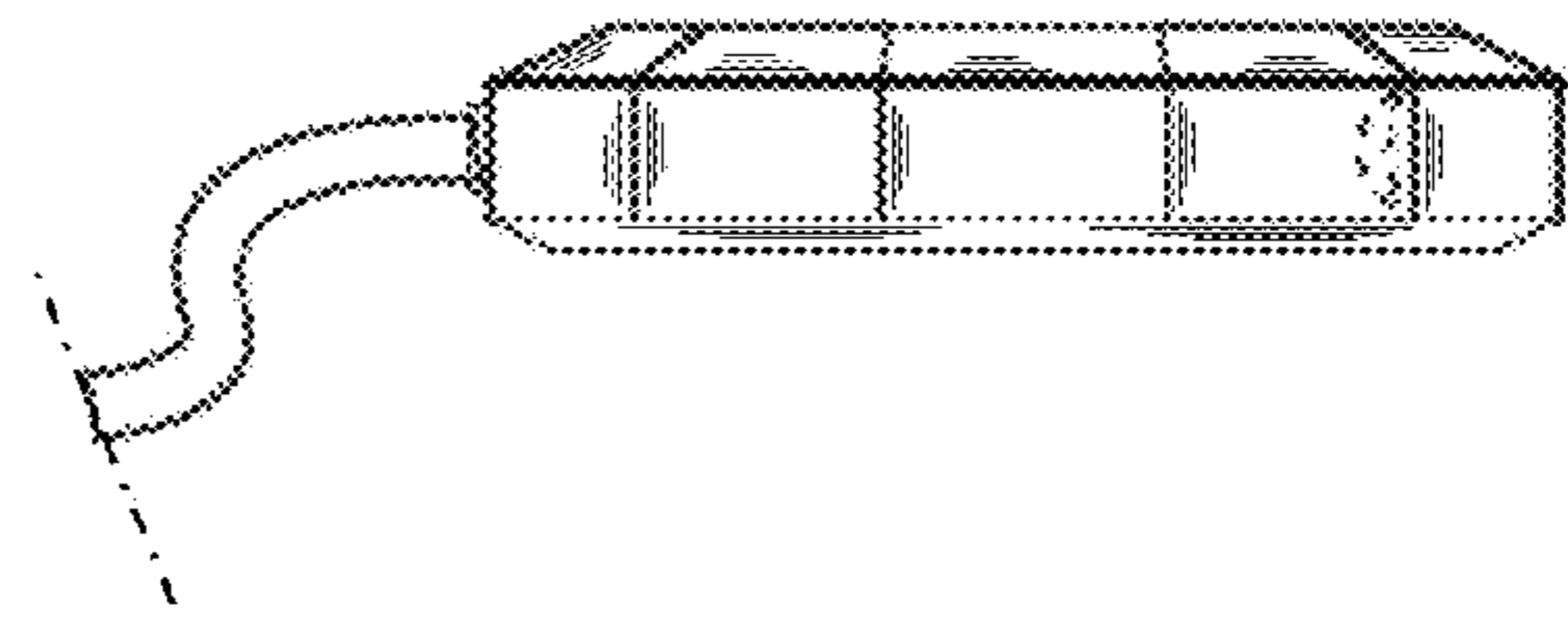


FIG. 4

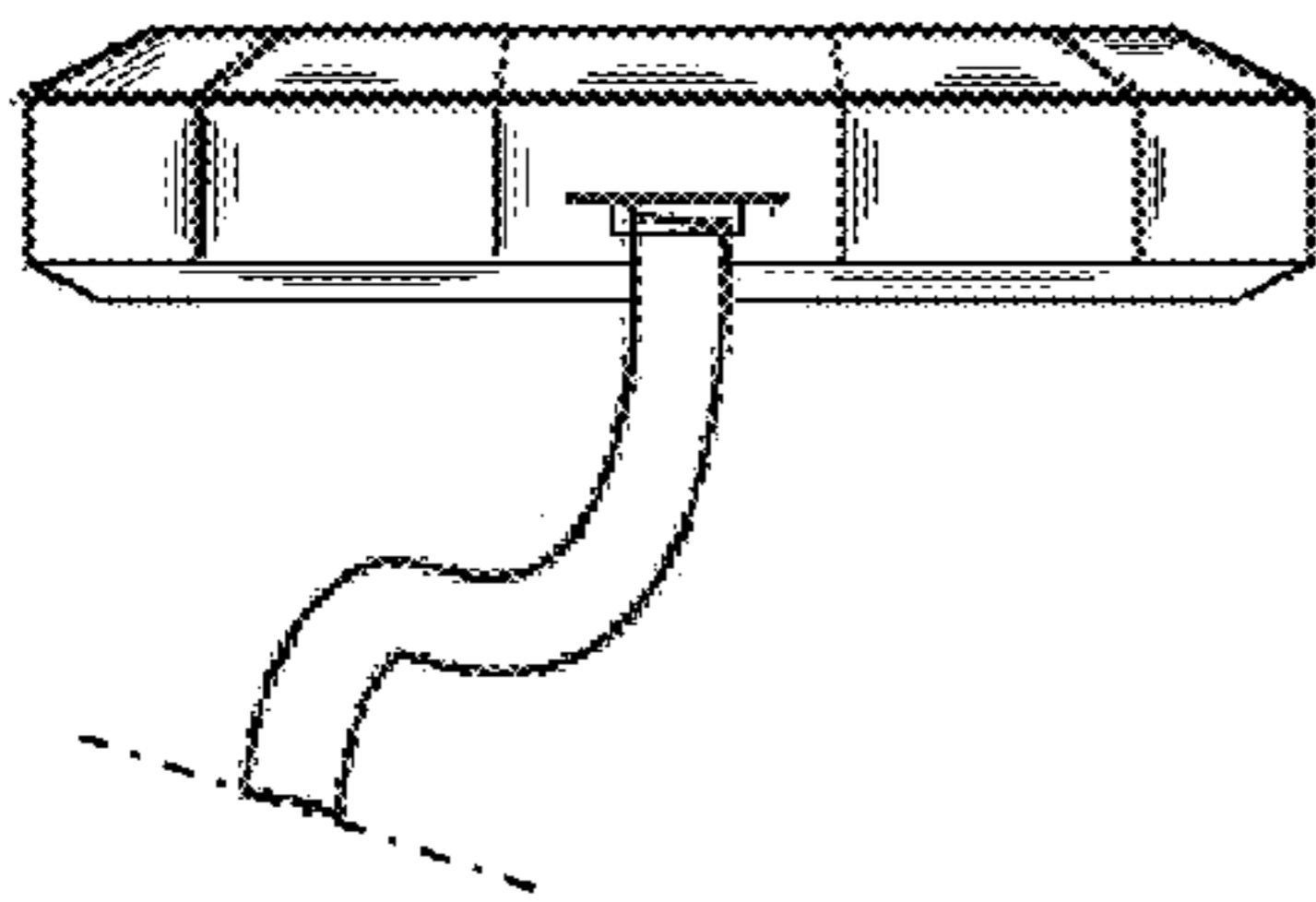


FIG. 5

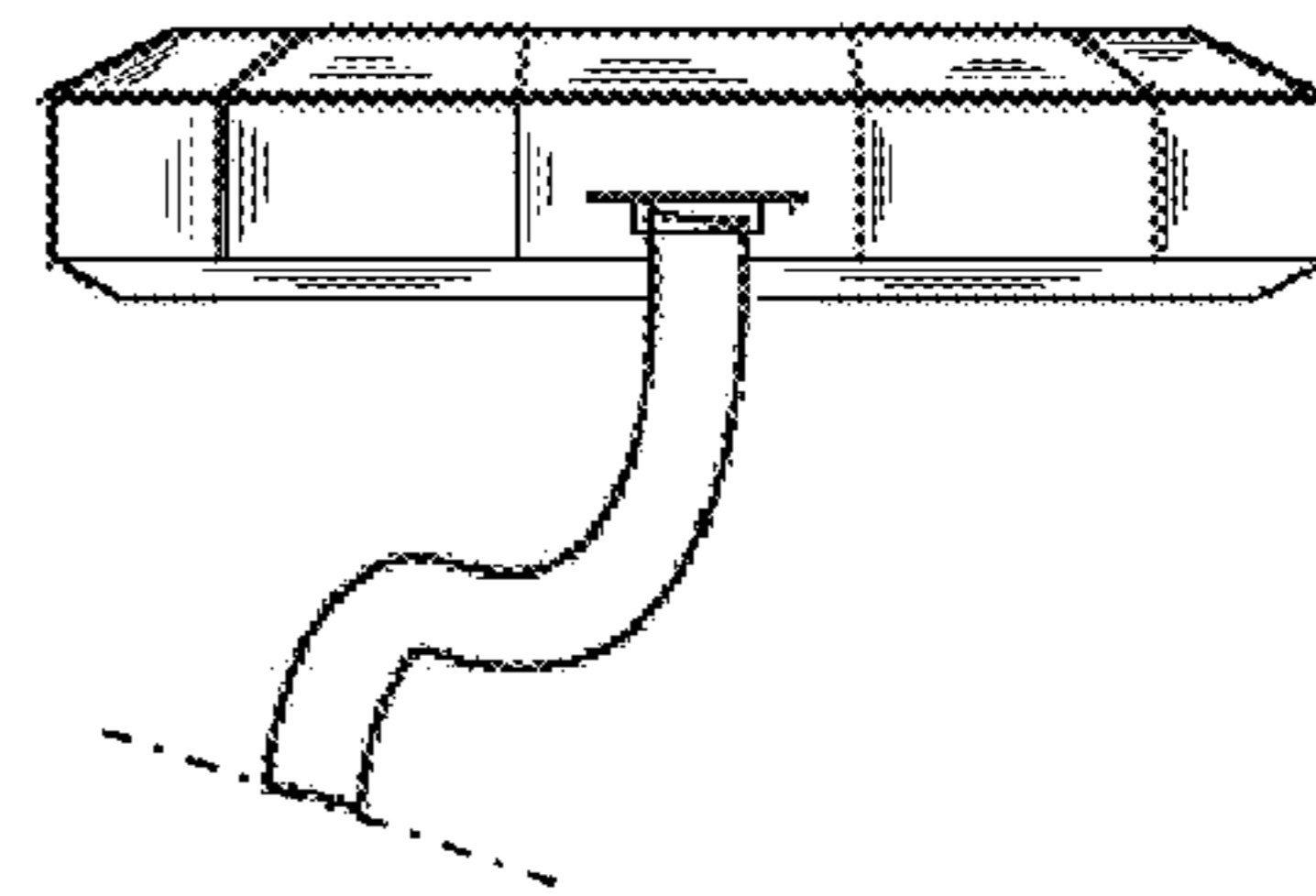


FIG. 6

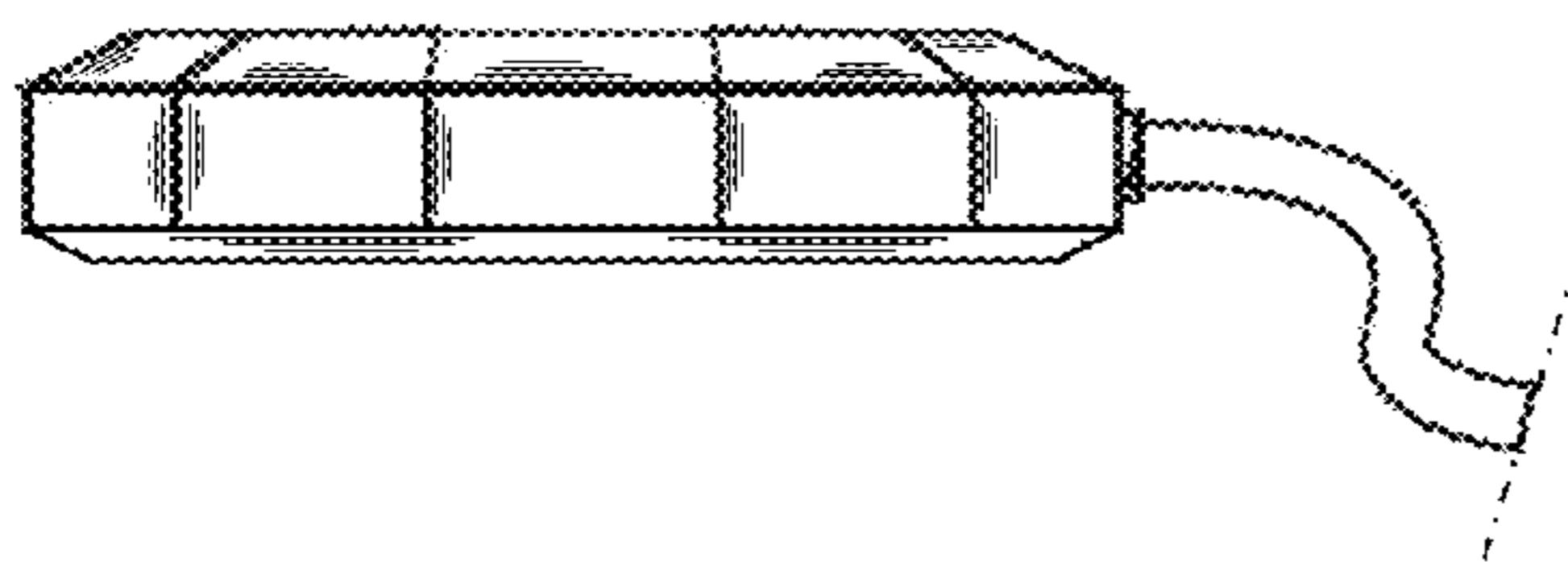


FIG. 7

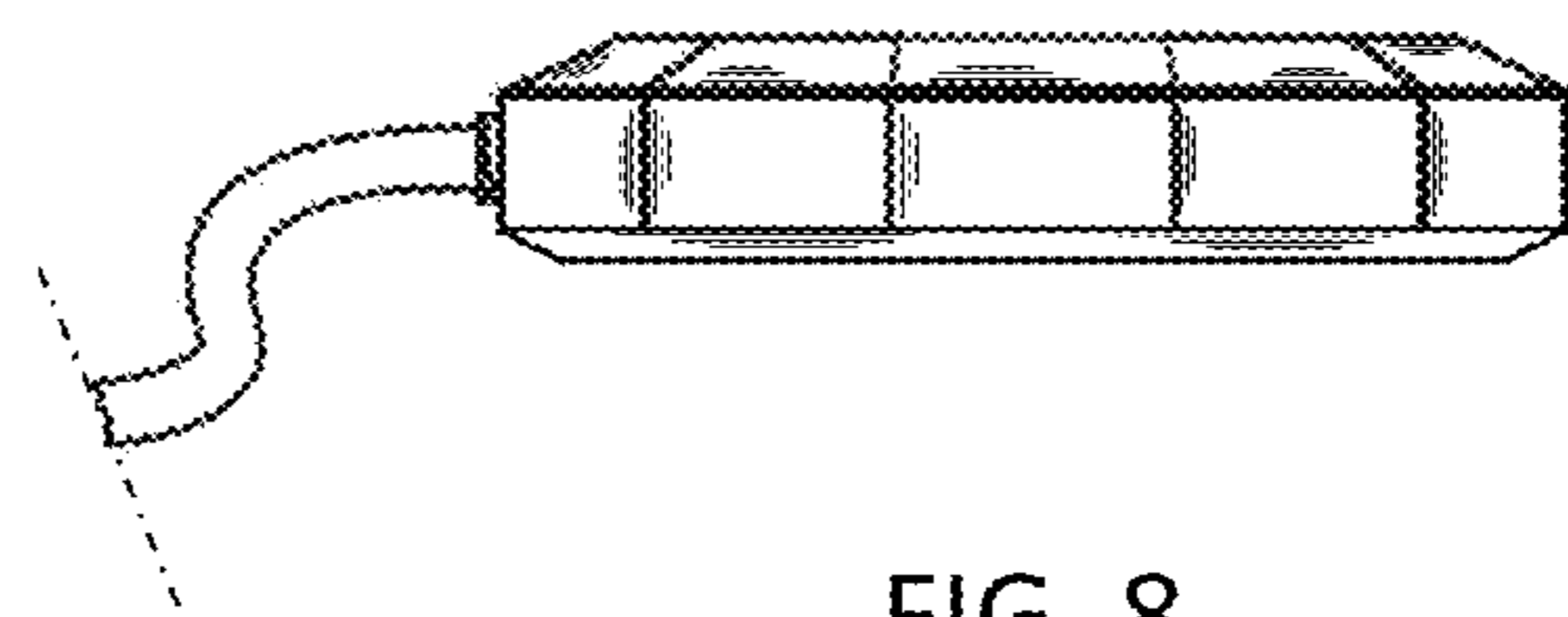


FIG. 8

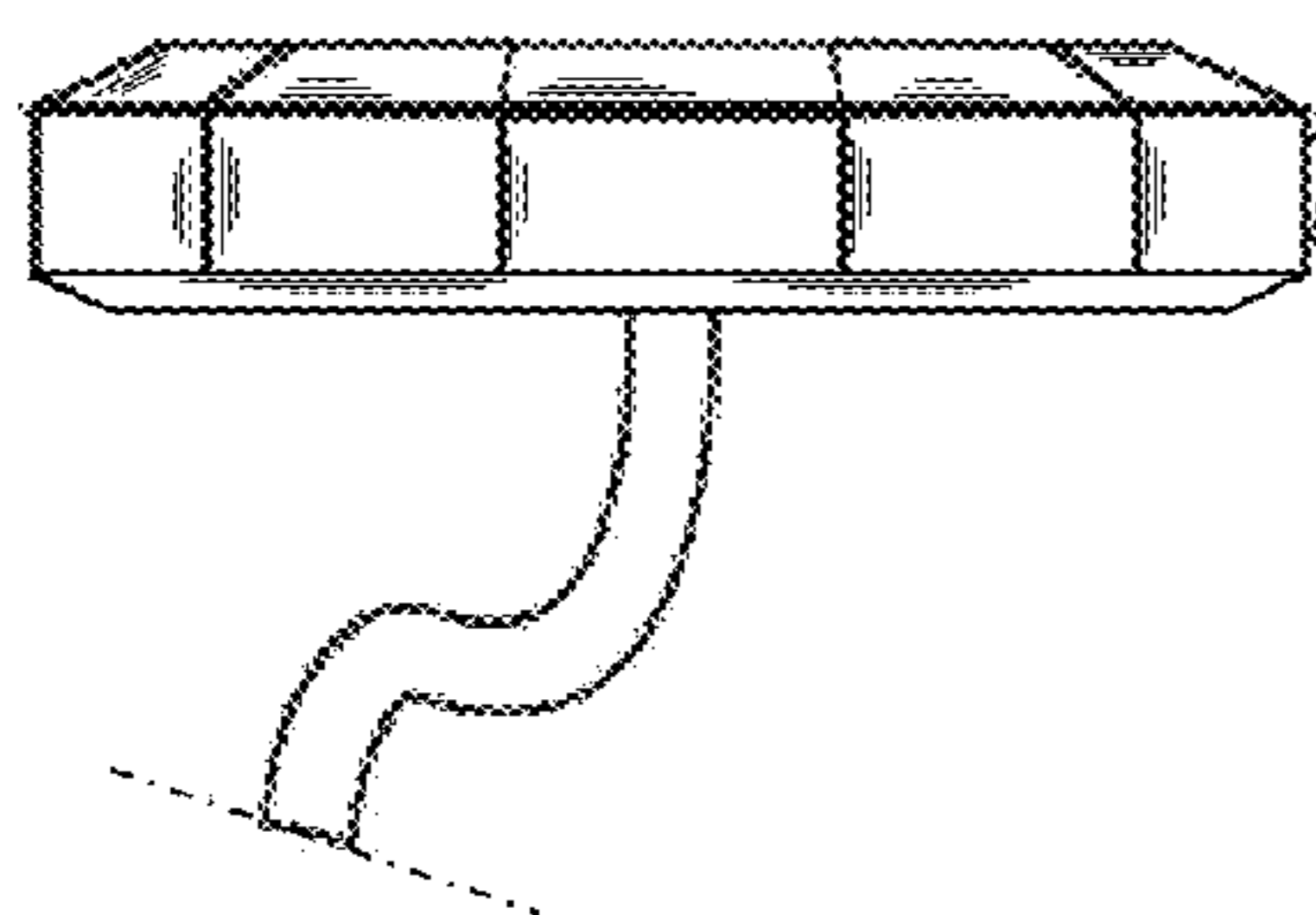


FIG. 9

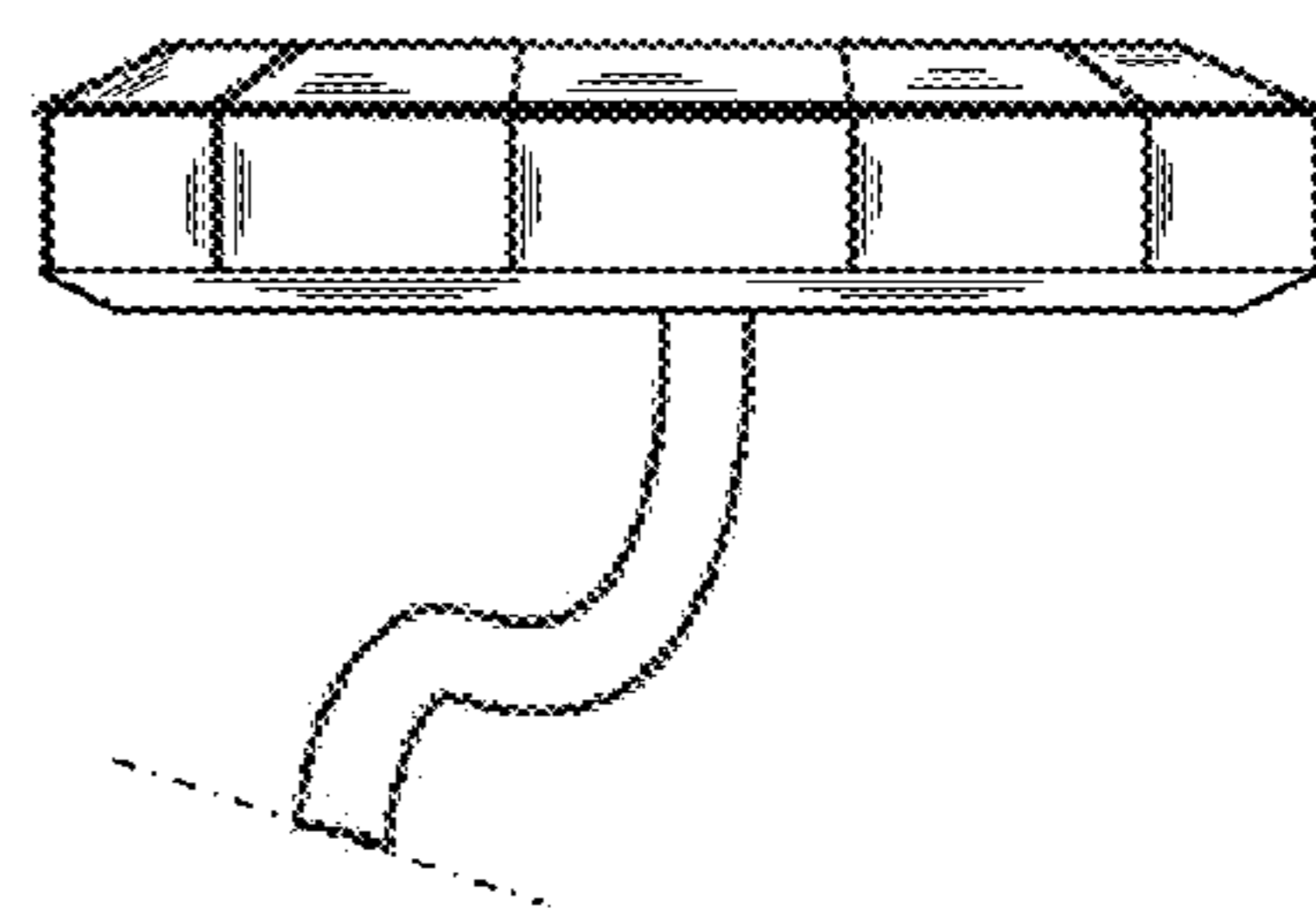


FIG. 10