



US00D704675S

(12) **United States Design Patent**
Choteau

(10) **Patent No.:** **US D704,675 S**

(45) **Date of Patent:** **** *May 13, 2014**

(54) **HEADPHONE**

(75) Inventor: **Emmanuelle Choteau**, Surrey (GB)

(73) Assignee: **Sony Corporation**, Tokyo (JP)

(*) Notice: This patent is subject to a terminal disclaimer.

(**) Term: **14 Years**

(21) Appl. No.: **29/395,889**

(22) Filed: **Apr. 18, 2012**

(30) **Foreign Application Priority Data**

Oct. 19, 2011 (JP) D2011-024000

(51) **LOC (10) Cl.** **14-01**

(52) **U.S. Cl.**

CPC **H04R 1/1066** (2013.01)

USPC **D14/205**

(58) **Field of Classification Search**

CPC H04R 1/1066

USPC D14/205, 206, 223; 181/129, 130, 135;

379/430, 431; 381/380, 381; D24/174;

128/864, 865; 455/90.3, 575.1

See application file for complete search history.

(56) **References Cited**

U.S. PATENT DOCUMENTS

3,192,321 A * 6/1965 Nassimbene 704/250

4,133,984 A * 1/1979 Akiyama 381/328

4,668,842 A * 5/1987 Yokoyama et al. 381/380

D346,802 S *	5/1994	Sacherman et al.	D14/206
D348,066 S *	6/1994	Lucey	D14/223
5,615,273 A *	3/1997	Lucey et al.	381/361
D409,621 S *	5/1999	Andrea	D14/223
D465,209 S *	11/2002	Rath	D14/206
D476,645 S *	7/2003	Padala et al.	D14/223
D477,821 S *	7/2003	Bieltvedt et al.	D14/206
D481,709 S *	11/2003	Solderits	D14/228
D482,348 S *	11/2003	Villaverde et al.	D14/223
D503,705 S *	4/2005	Boursiquot	D14/223
D525,235 S	7/2006	Koizumi	
D587,243 S	2/2009	Suzuki	
D598,901 S *	8/2009	Lee et al.	D14/223
8,233,945 B2 *	7/2012	Zhang et al.	455/575.1

* cited by examiner

Primary Examiner — Paula Greene

(74) *Attorney, Agent, or Firm* — Rader, Fishman & Grauer PLLC

(57) **CLAIM**

The ornamental design for a headphone, as shown and described.

DESCRIPTION

FIG. 1 is a perspective view of a headphone showing my new design;

FIG. 2 is a front elevational view thereof;

FIG. 3 is a rear elevational view thereof;

FIG. 4 is a left side elevational view thereof;

FIG. 5 is a top plan view thereof; and,

FIG. 6 is a bottom plan view thereof.

The portions indicated in broken lines are for illustrative purposes only and form no part of the claimed design.

1 Claim, 5 Drawing Sheets

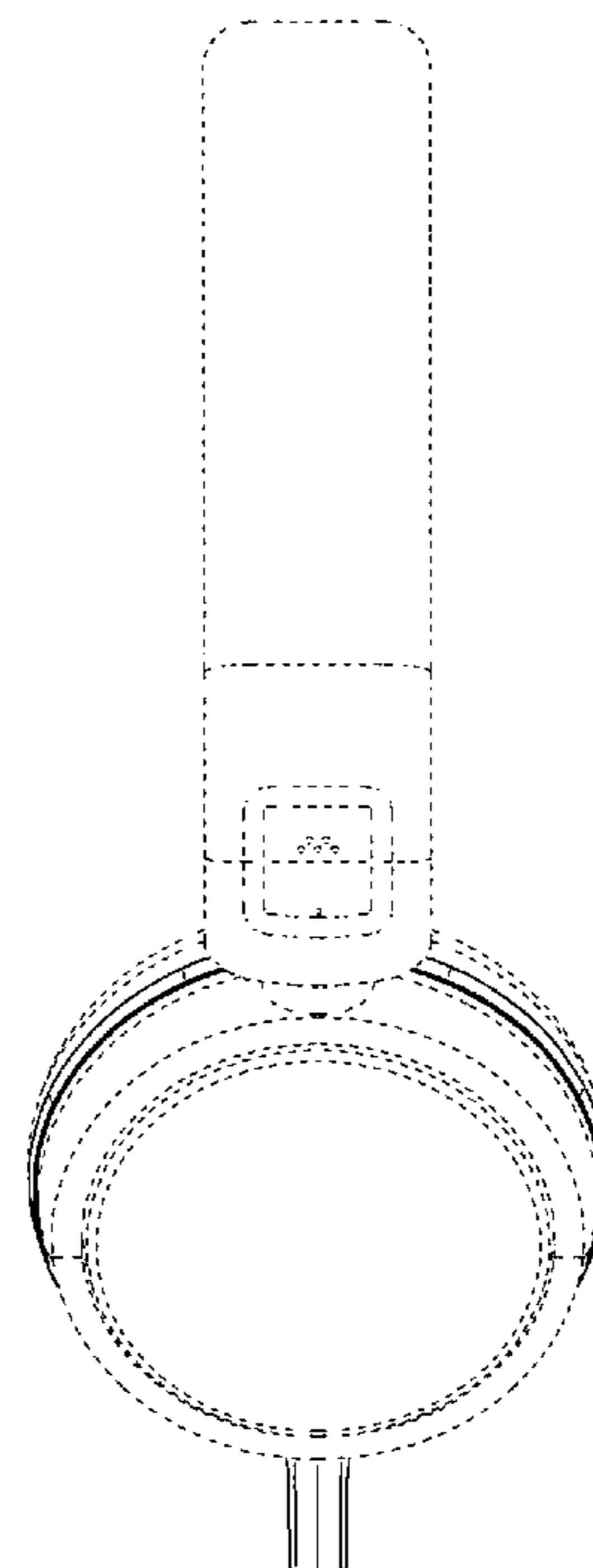
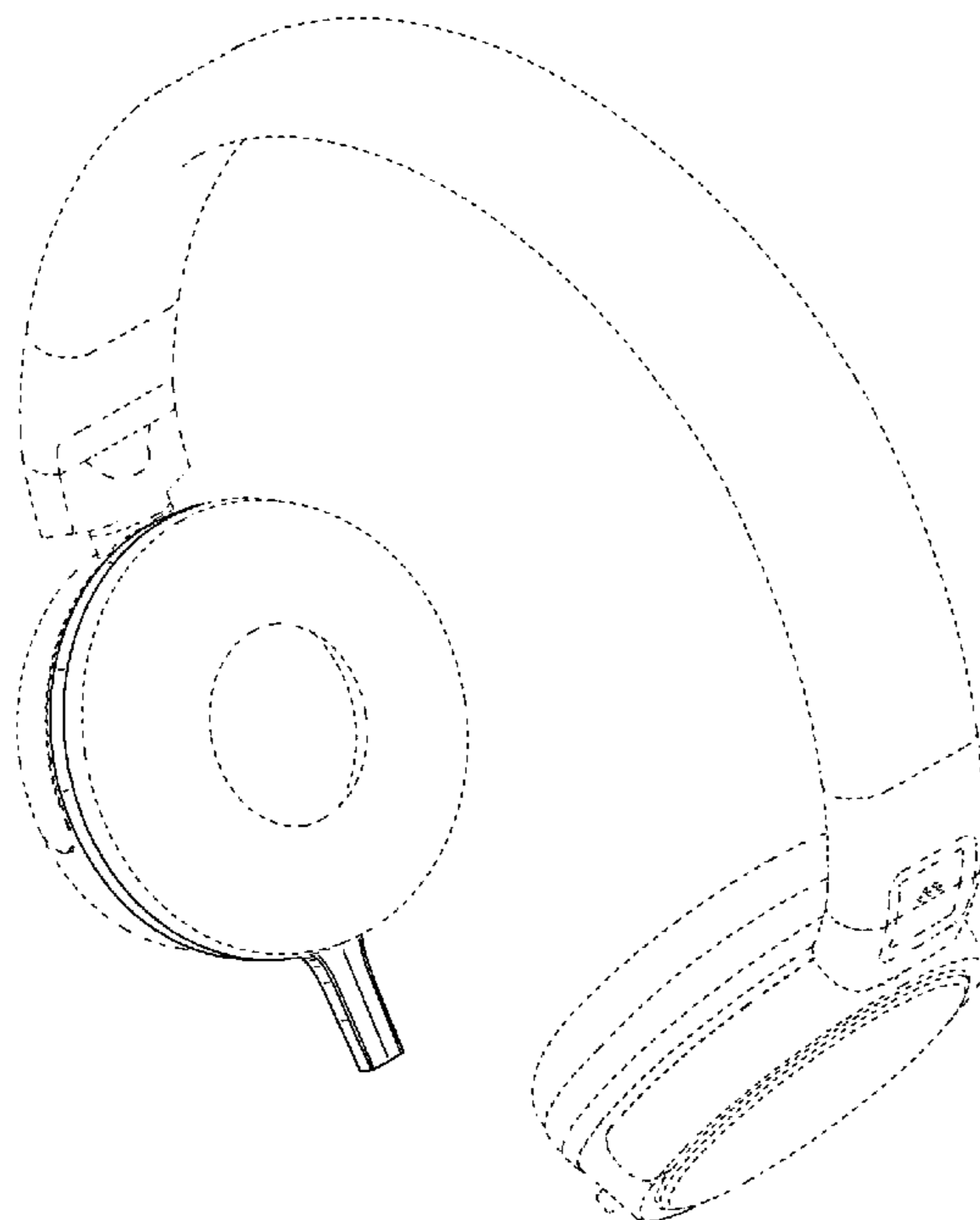


FIG.1

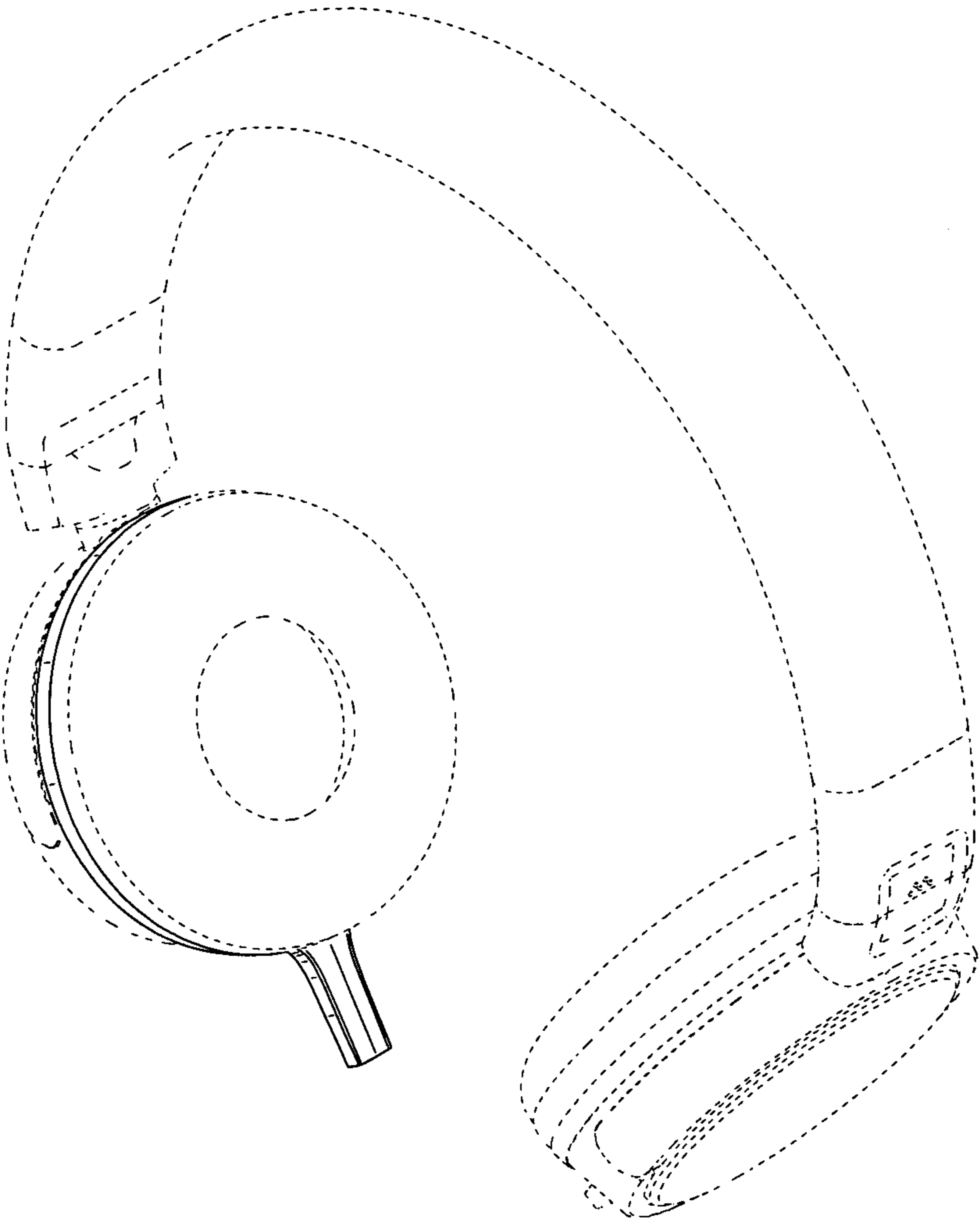


FIG.2

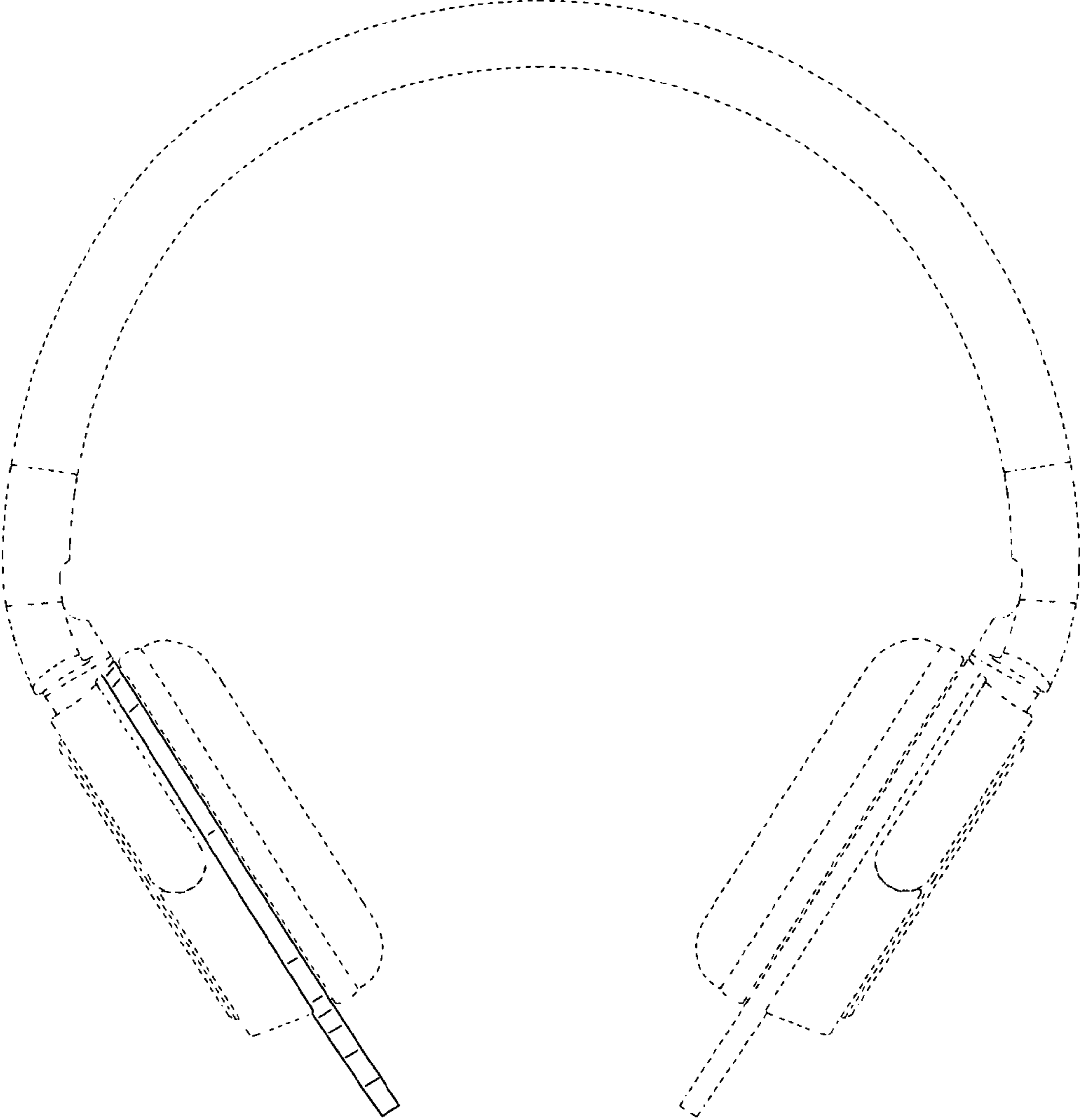


FIG.3

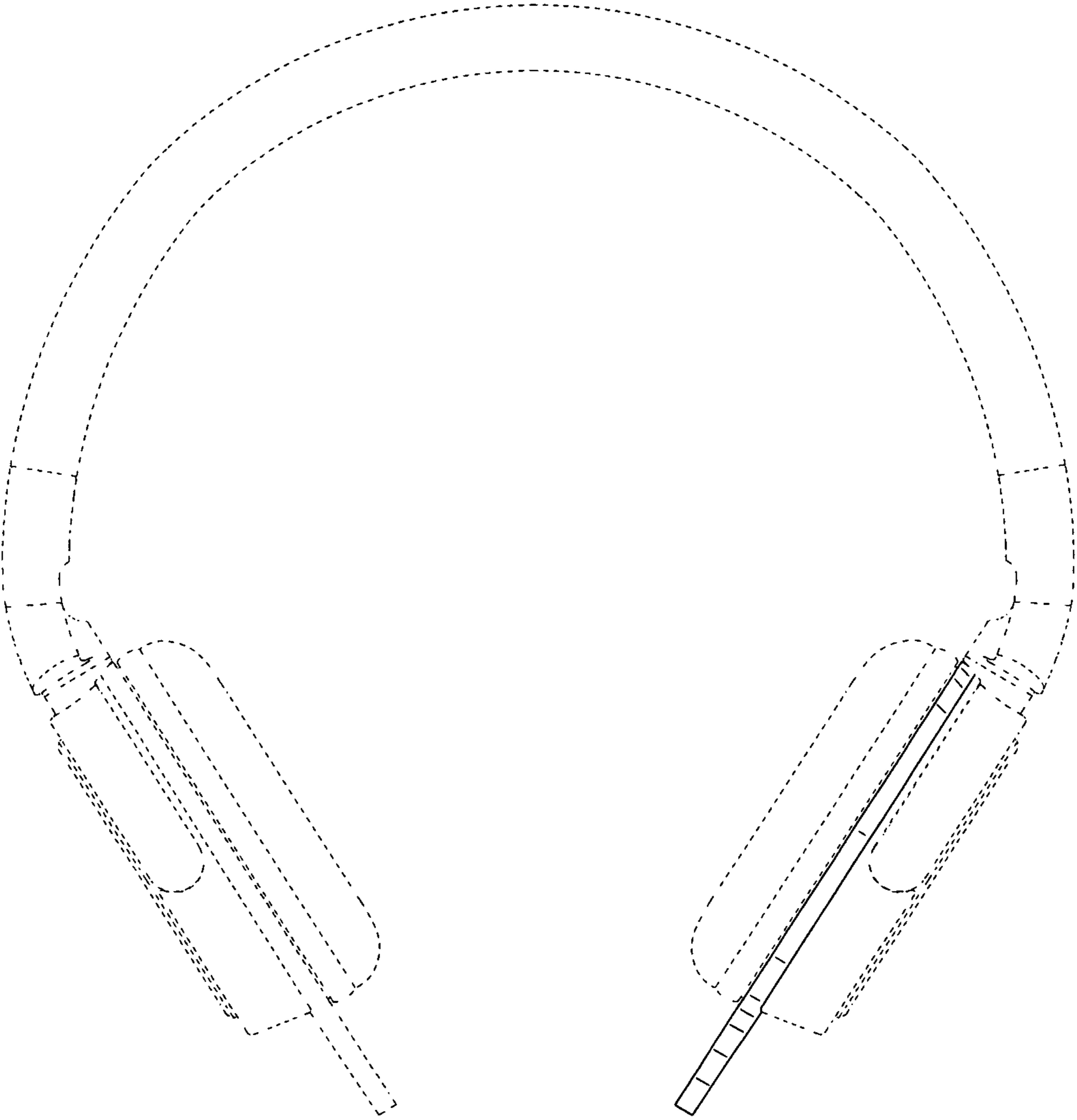


FIG.4

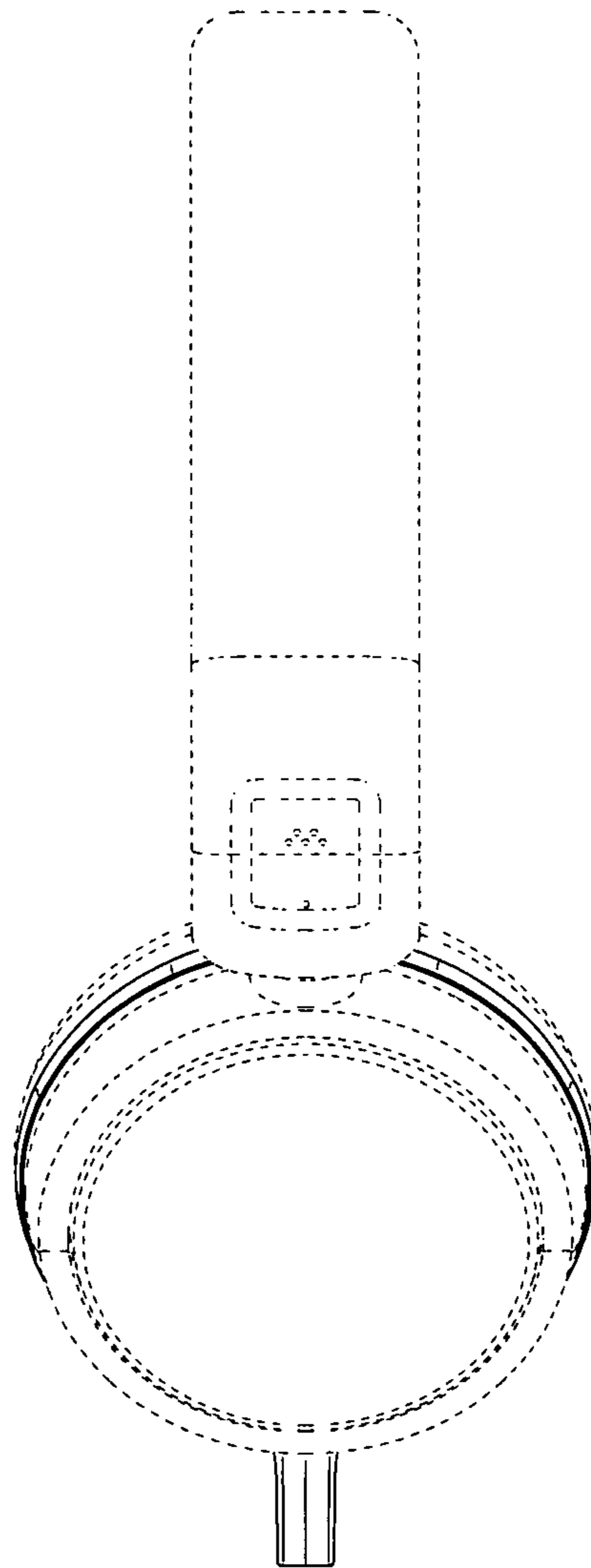


FIG.5

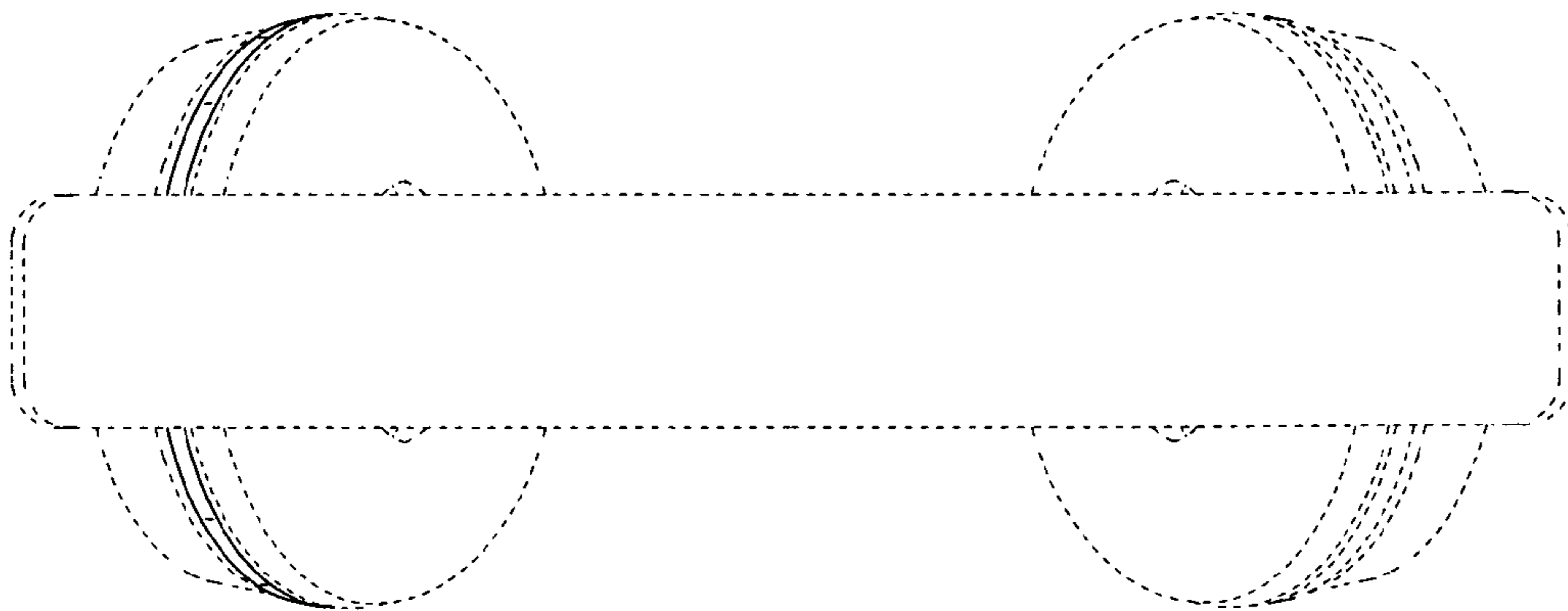


FIG.6

