



US00D704669S

(12) **United States Design Patent**
Casagrande

(10) **Patent No.:** **US D704,669 S**

(45) **Date of Patent:** **** May 13, 2014**

(54) **HOUSING FOR ELECTRICAL CONNECTORS**

(75) Inventor: **Alberto Casagrande**, Milan (IT)

(73) Assignee: **Industria Lombarda Materiale Elettrico I.L.M.E. S.p.A.**, Milan (IT)

(**) Term: **14 Years**

(21) Appl. No.: **29/388,522**

(22) Filed: **Mar. 30, 2011**

(30) **Foreign Application Priority Data**

Sep. 30, 2010 (EM) 001761719-0005/0013
Sep. 30, 2010 (EM) 001761719-0020/0023

(51) **LOC (10) Cl.** **13-03**

(52) **U.S. Cl.**
USPC **D13/156**

(58) **Field of Classification Search**
USPC D13/152, 156, 184; 174/50, 50.52,
174/50.53, 53-60, 66-67, 521; 220/3.2,
220/3.3, 3.7, 3.8, 3.9, 241-244;
439/135-138, 142, 367, 373, 535-537,
439/541, 892, 938
See application file for complete search history.

(56) **References Cited**

U.S. PATENT DOCUMENTS

665,676 A * 1/1901 Greenfield 220/3.8
689,335 A * 12/1901 Thomas 220/3.7
1,264,450 A * 4/1918 Sweet 220/266
D130,945 S * 12/1941 Fogel D13/158
D134,996 S * 2/1943 Kaminky D13/158

D236,481 S * 8/1975 Johnston D13/156
D272,143 S * 1/1984 Varney D13/152
D273,104 S * 3/1984 Cousins D13/156
D311,379 S * 10/1990 Kuzuno et al. D13/147
6,838,615 B2 * 1/2005 Pyron 174/50
D524,755 S * 7/2006 Kudo D13/147
D525,941 S * 8/2006 Kudo D13/147
D552,558 S * 10/2007 Kelly et al. D13/152
D579,417 S * 10/2008 Stuckmann et al. D13/152
D581,365 S * 11/2008 Stuckmann et al. D13/152
7,491,884 B2 * 2/2009 Schmidt et al. 174/60
7,732,709 B2 * 6/2010 Puri et al. 174/50

* cited by examiner

Primary Examiner — Derrick Holland

Assistant Examiner — Lauren Calve

(74) *Attorney, Agent, or Firm* — Young & Thompson

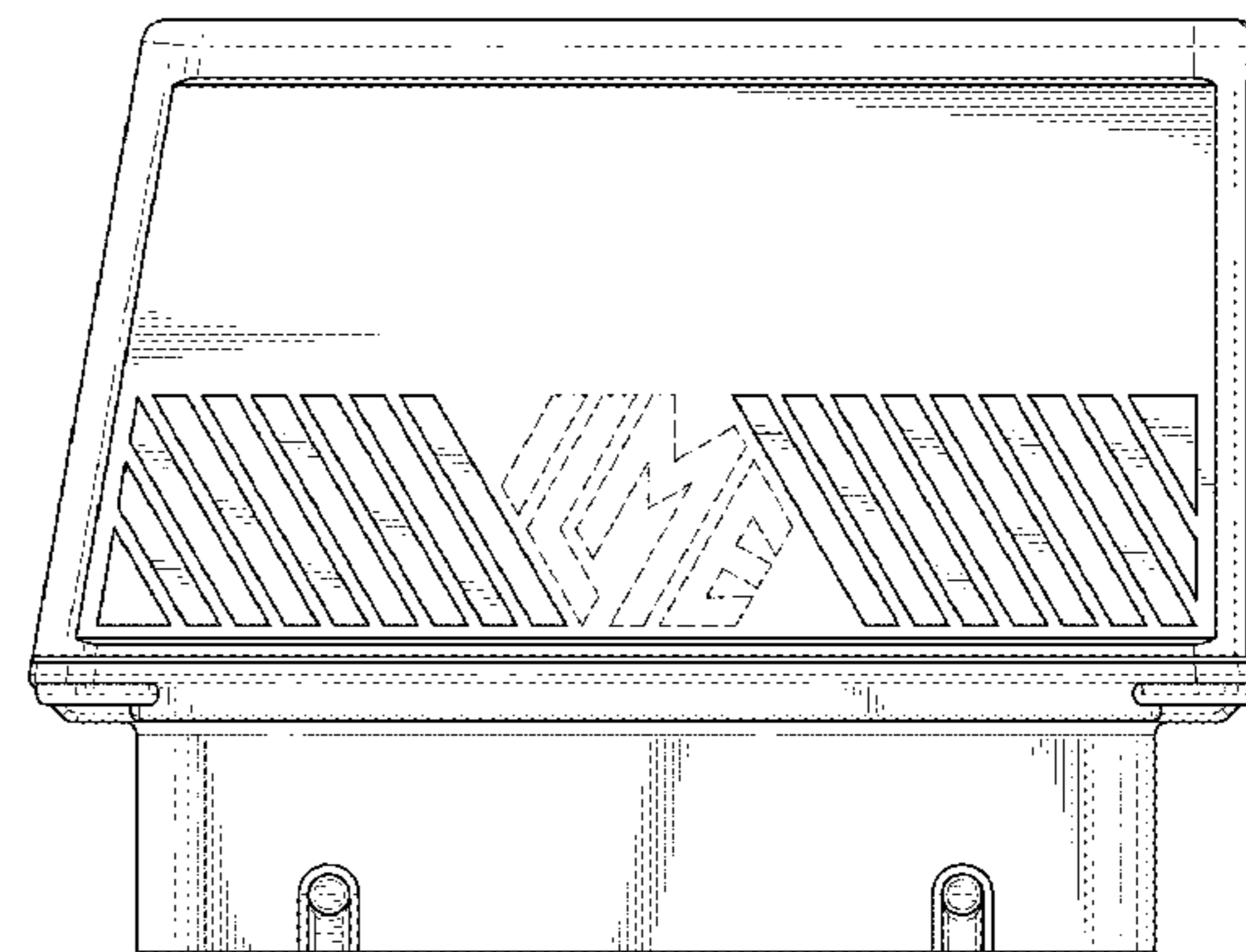
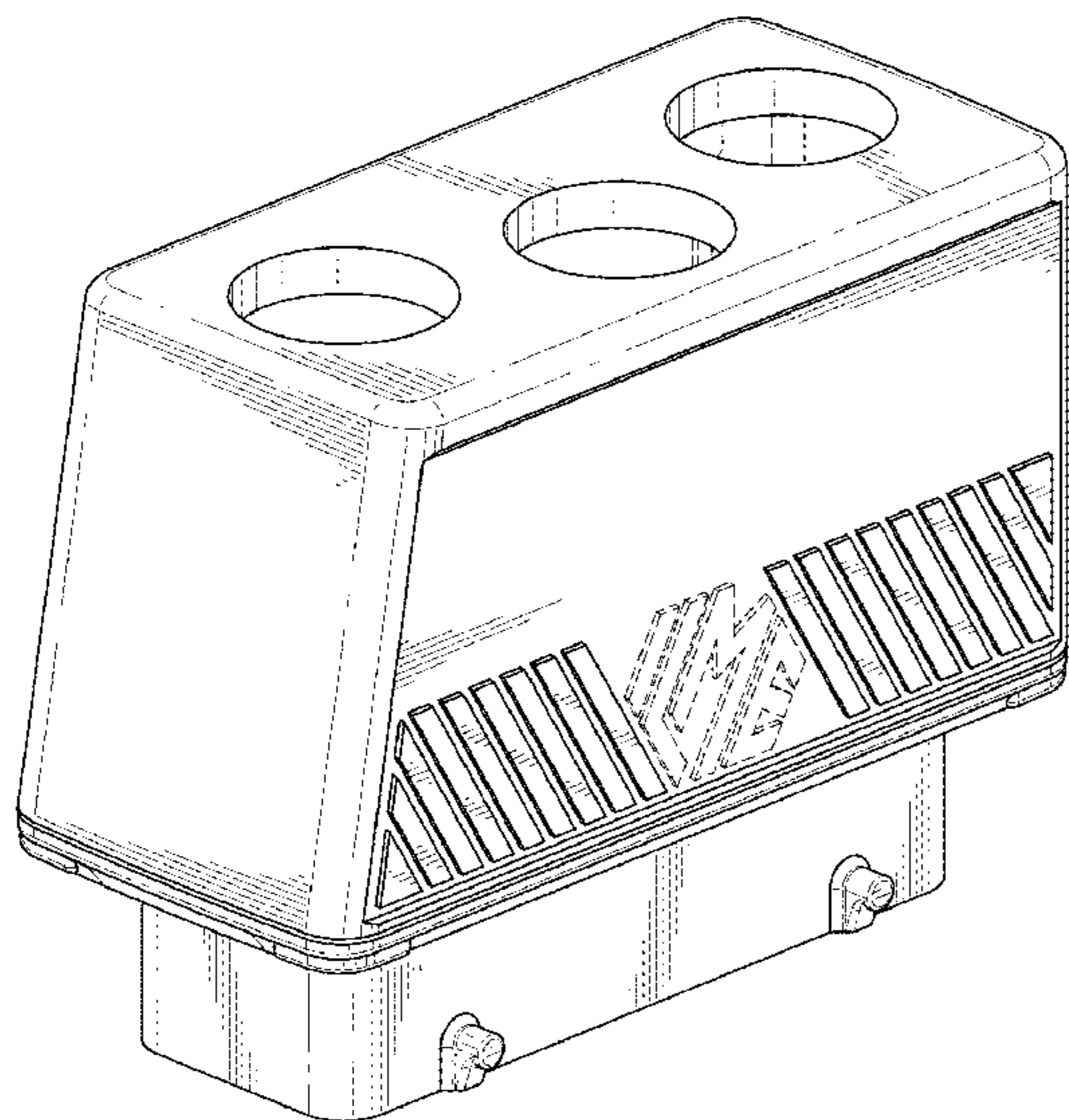
(57) **CLAIM**

The ornamental design for a housing for electrical connectors, as shown and described.

DESCRIPTION

FIG. 1 is a front, left side, and top perspective view of a housing for electrical connectors showing the new design; FIG. 2 is a left side elevation view thereof; FIG. 3 is a right side elevation view thereof; FIG. 4 is a front elevation view thereof; FIG. 5 is a rear elevation view thereof; FIG. 6 is a top plan view thereof; and, FIG. 7 is a bottom plan view thereof. The broken lines shown in FIGS. 1-3 and 6-7 represent unclaimed subject matter and form no part of the claimed design.

1 Claim, 4 Drawing Sheets



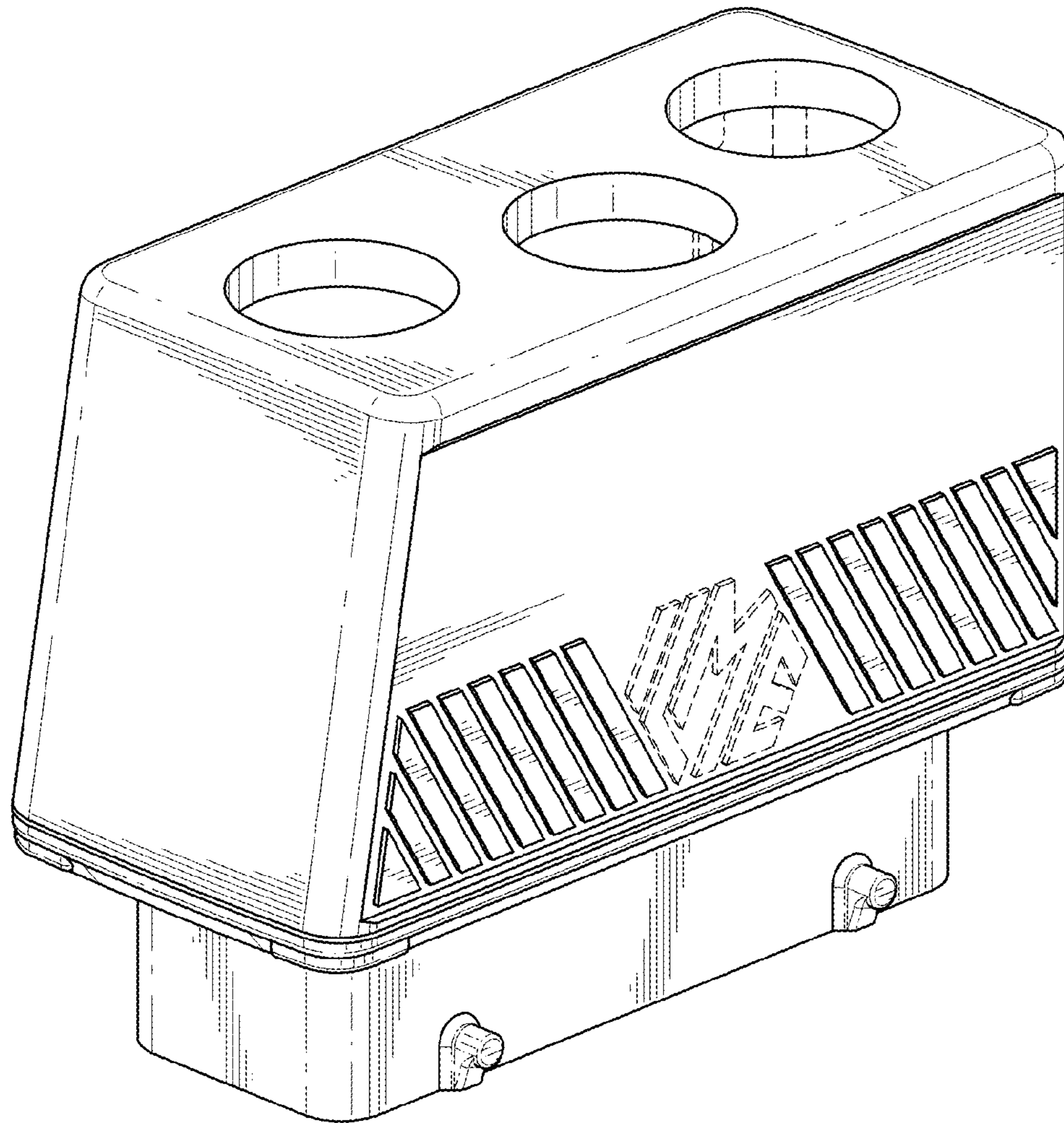


FIG. 1

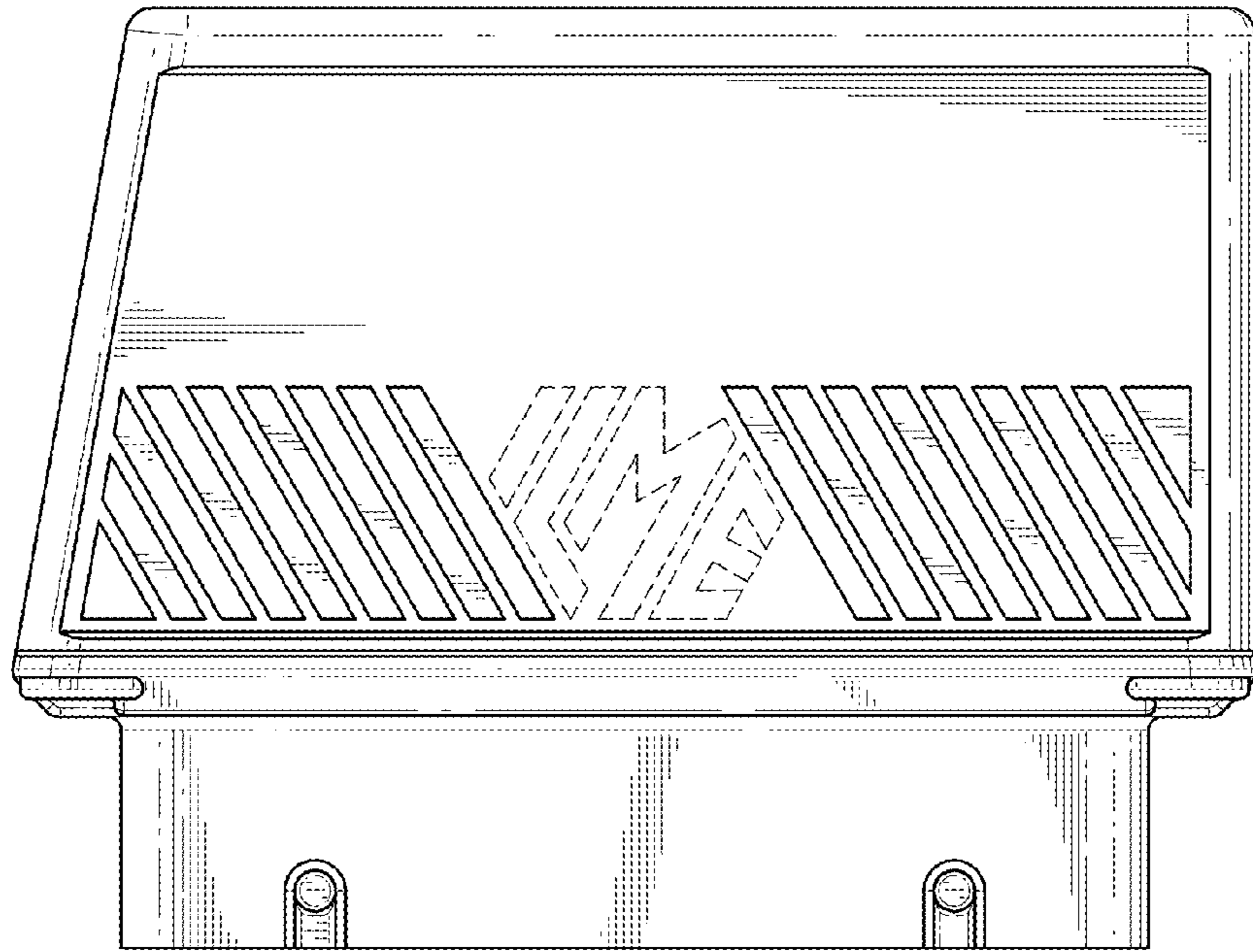


FIG. 2

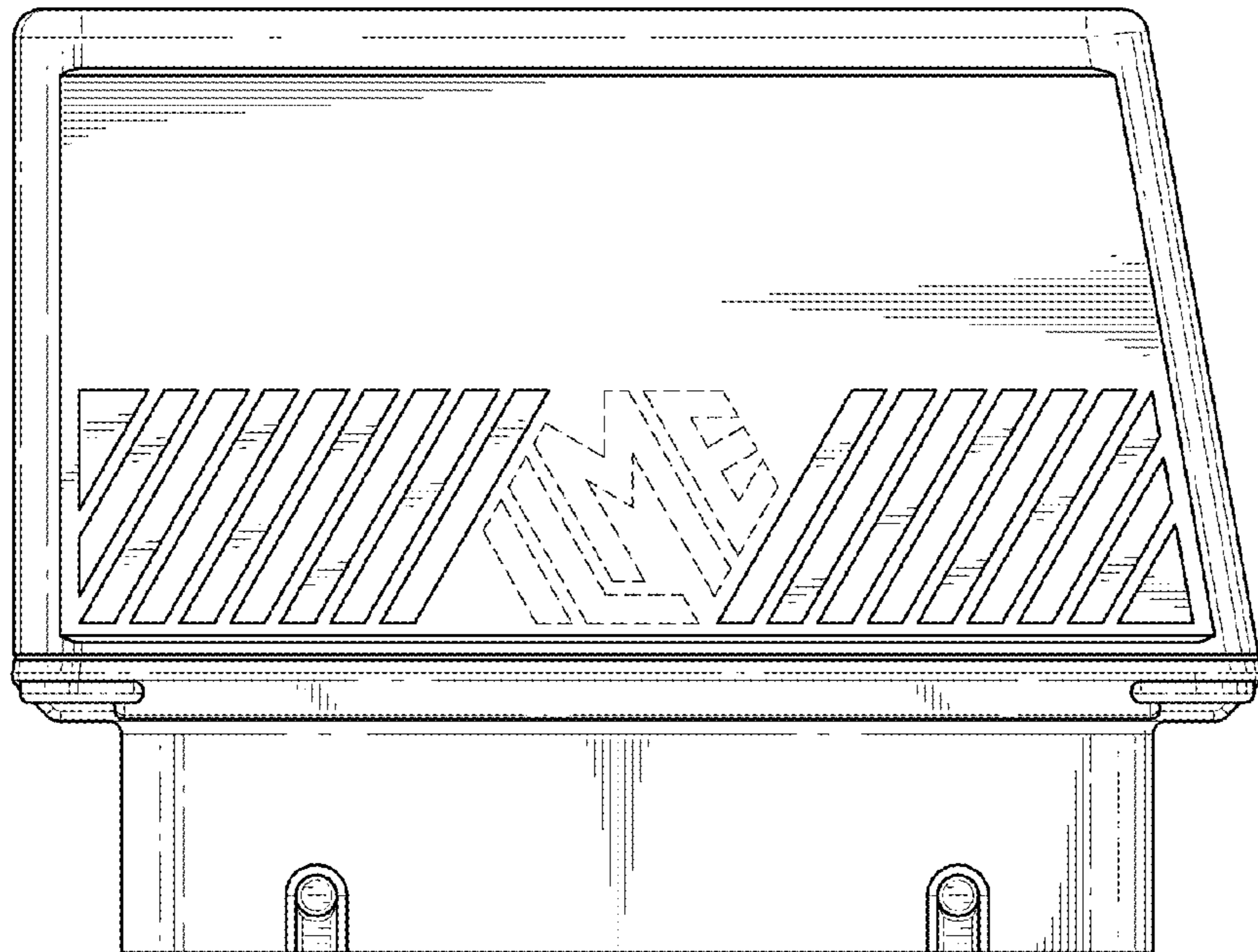


FIG. 3

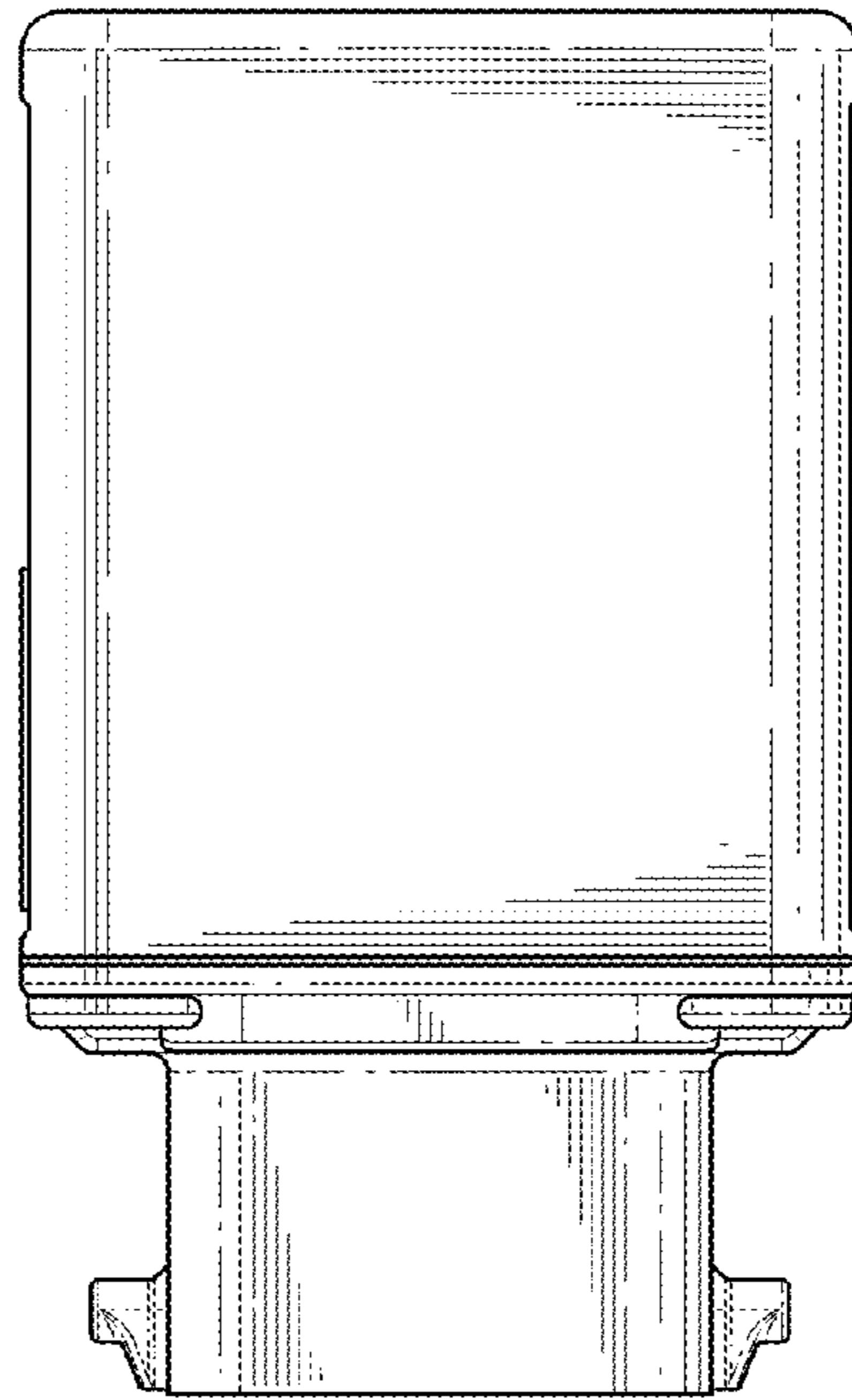


FIG. 4

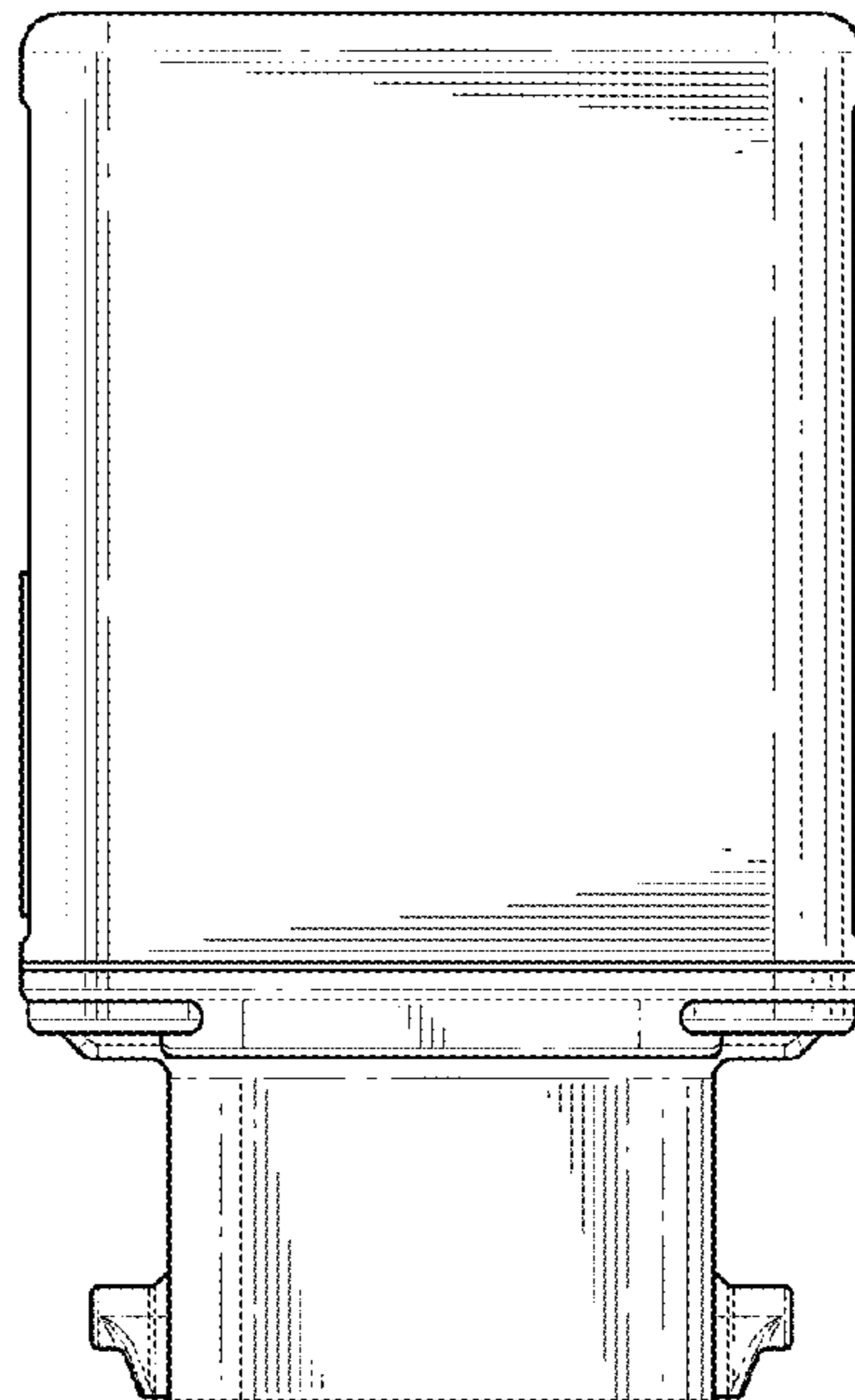


FIG. 5

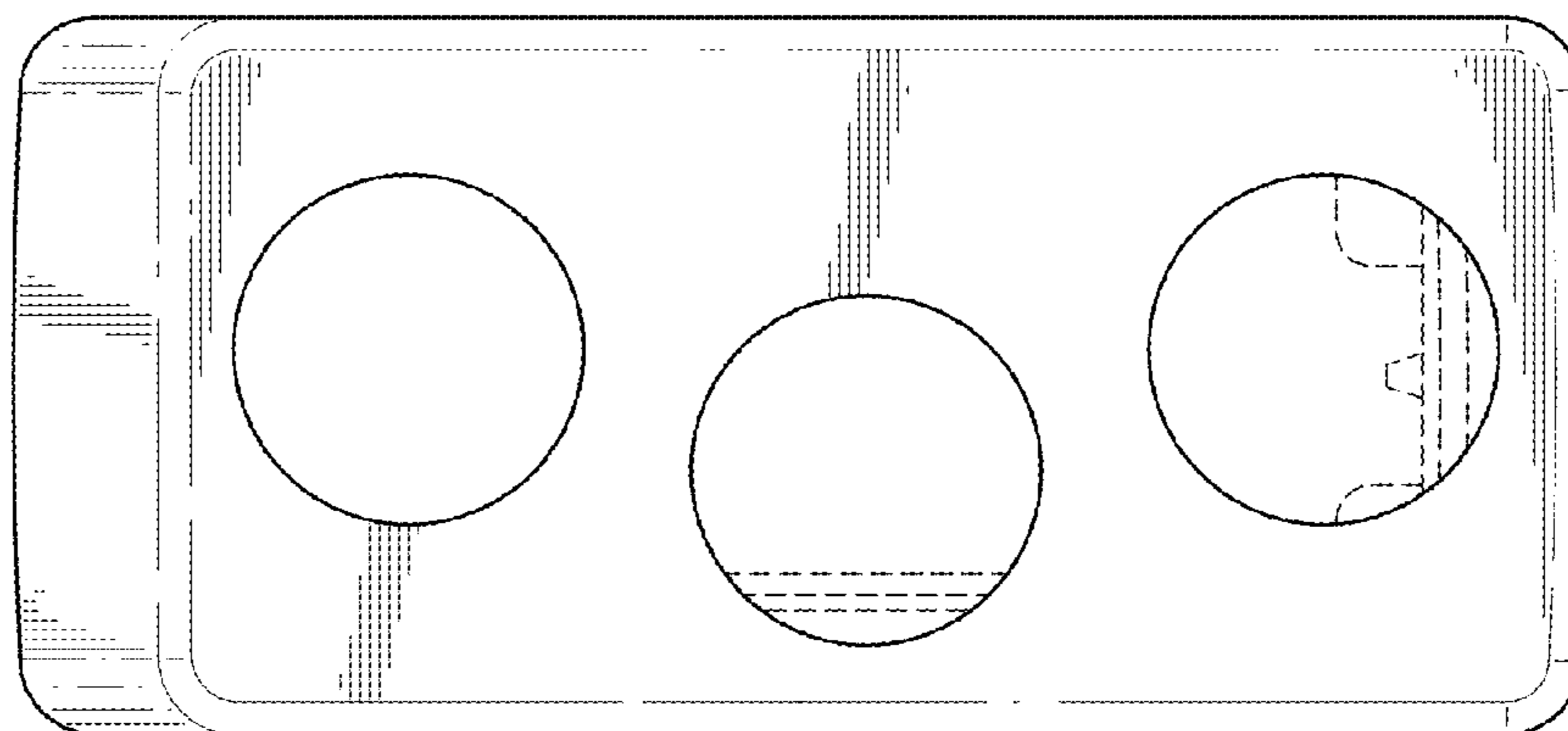


FIG. 6

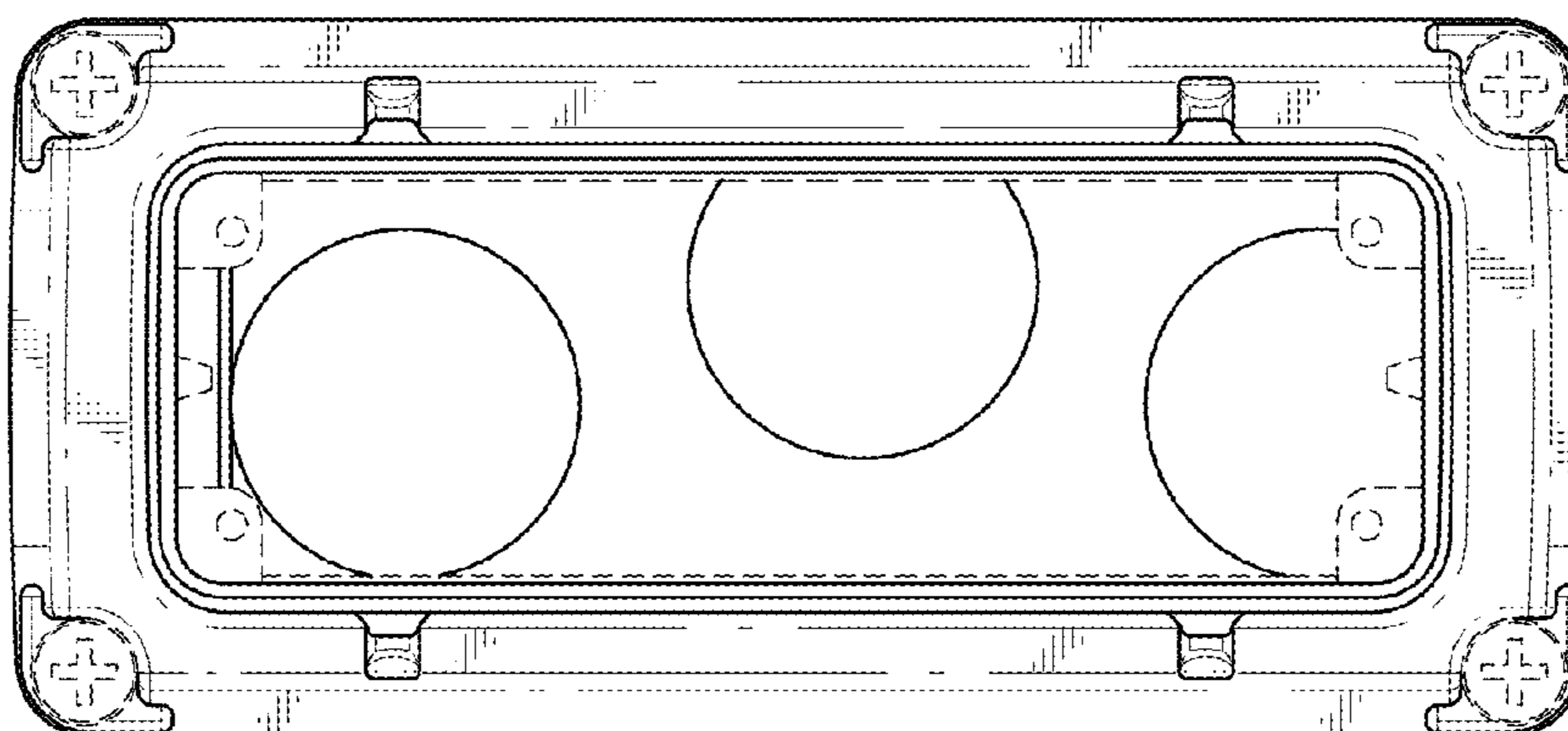


FIG. 7