



US00D704668S

(12) **United States Design Patent**
Millevik

(10) **Patent No.:** **US D704,668 S**
(45) **Date of Patent:** **** May 13, 2014**

(54) **SEALING AND GROUNDING MODULE**

(71) Applicant: **Roxtec AB**, Karlskrona (SE)

(72) Inventor: **Bo Millevik**, Karlskrona (SE)

(73) Assignee: **Roxtec AB**, Karlskrona (SE)

(**) Term: **14 Years**

(21) Appl. No.: **29/464,921**

(22) Filed: **Aug. 22, 2013**

5,732,180 A	3/1998	Kaplan	
5,736,672 A	4/1998	Huang	
5,795,634 A	8/1998	Fukui	
6,107,571 A	8/2000	Damm	
6,543,780 B1	4/2003	Kögler et al.	
7,282,644 B1 *	10/2007	Alvey	174/84 R
7,371,969 B2	5/2008	Hedström	
7,411,128 B2	8/2008	Drotleff et al.	
7,446,267 B2	11/2008	Hedstrom	
7,543,606 B2 *	6/2009	Friedline et al.	138/106
7,790,252 B2	9/2010	Nematollahi	
2003/0110719 A1	6/2003	Broder	
2005/0121217 A1	6/2005	Hedstrom	

* cited by examiner

Related U.S. Application Data

(60) Continuation of application No. 29/453,228, filed on Apr. 26, 2013, now Pat. No. Des. 694,192, which is a division of application No. 29/387,714, filed on Mar. 17, 2011.

Foreign Application Priority Data

(30) Sep. 17, 2010 (SE) 1050971

(51) **LOC (10) Cl.** **13-03**

(52) **U.S. Cl.**
USPC **D13/155**

(58) **Field of Classification Search**
USPC D13/133, 129, 132, 128, 160, 162, 163, D13/173, 177, 184, 199; D8/396; 174/74 R, 174/72 C, 75 C, 77 R, 151, 377, 382, 386, 174/521, 524, 60, 650; 248/49, 55, 74.4; 16/2.2

See application file for complete search history.

References Cited

U.S. PATENT DOCUMENTS

2,849,027 A	8/1958	Tetyak	
4,270,250 A	6/1981	Schon	
4,442,990 A *	4/1984	Krueger	248/62
H379 H	12/1987	Alexander, Jr.	
4,919,372 A	4/1990	Twist et al.	

Primary Examiner — Derrick Holland

Assistant Examiner — Lauren Calve

(74) *Attorney, Agent, or Firm* — Harness, Dickey & Pierce, P.L.C.

(57) **CLAIM**

The ornamental design for a sealing and grounding module, as shown and described.

DESCRIPTION

FIG. 1 is a perspective view of a first embodiment of a sealing and grounding module, showing my new design;

FIG. 2 is a front end view thereof;

FIG. 3 is a rear end view thereof;

FIG. 4 is a right side view thereof;

FIG. 5 is a left side view thereof;

FIG. 6 is a top view thereof; and

FIG. 7 is a bottom view thereof.

FIG. 8 is a perspective view of a second embodiment of a sealing and grounding module, showing my new design;

FIG. 9 is a front end view thereof;

FIG. 10 is a rear end view thereof;

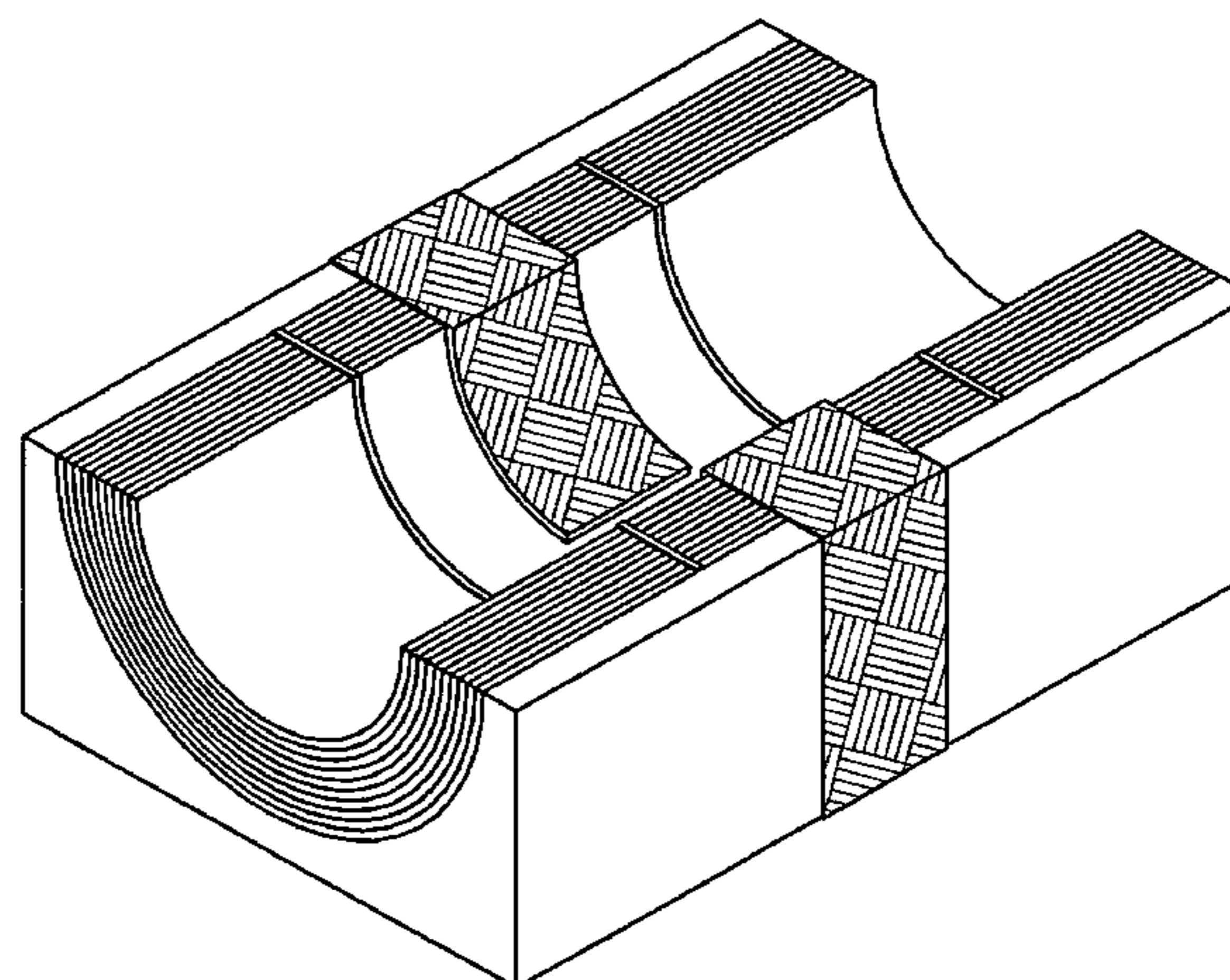
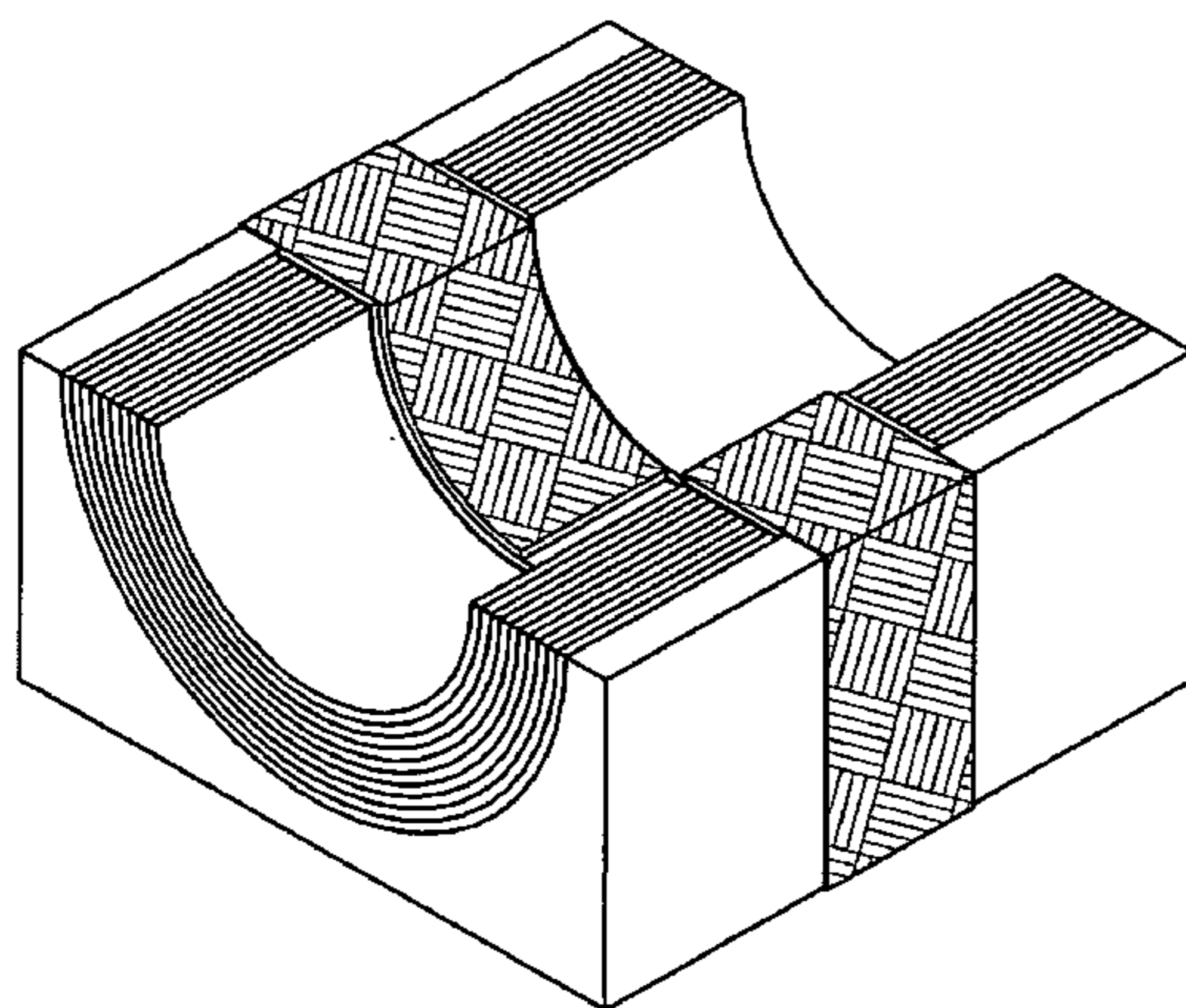
FIG. 11 is a right side view thereof;

FIG. 12 is a left side view thereof;

FIG. 13 is a top view thereof; and

FIG. 14 is a bottom view thereof.

1 Claim, 14 Drawing Sheets



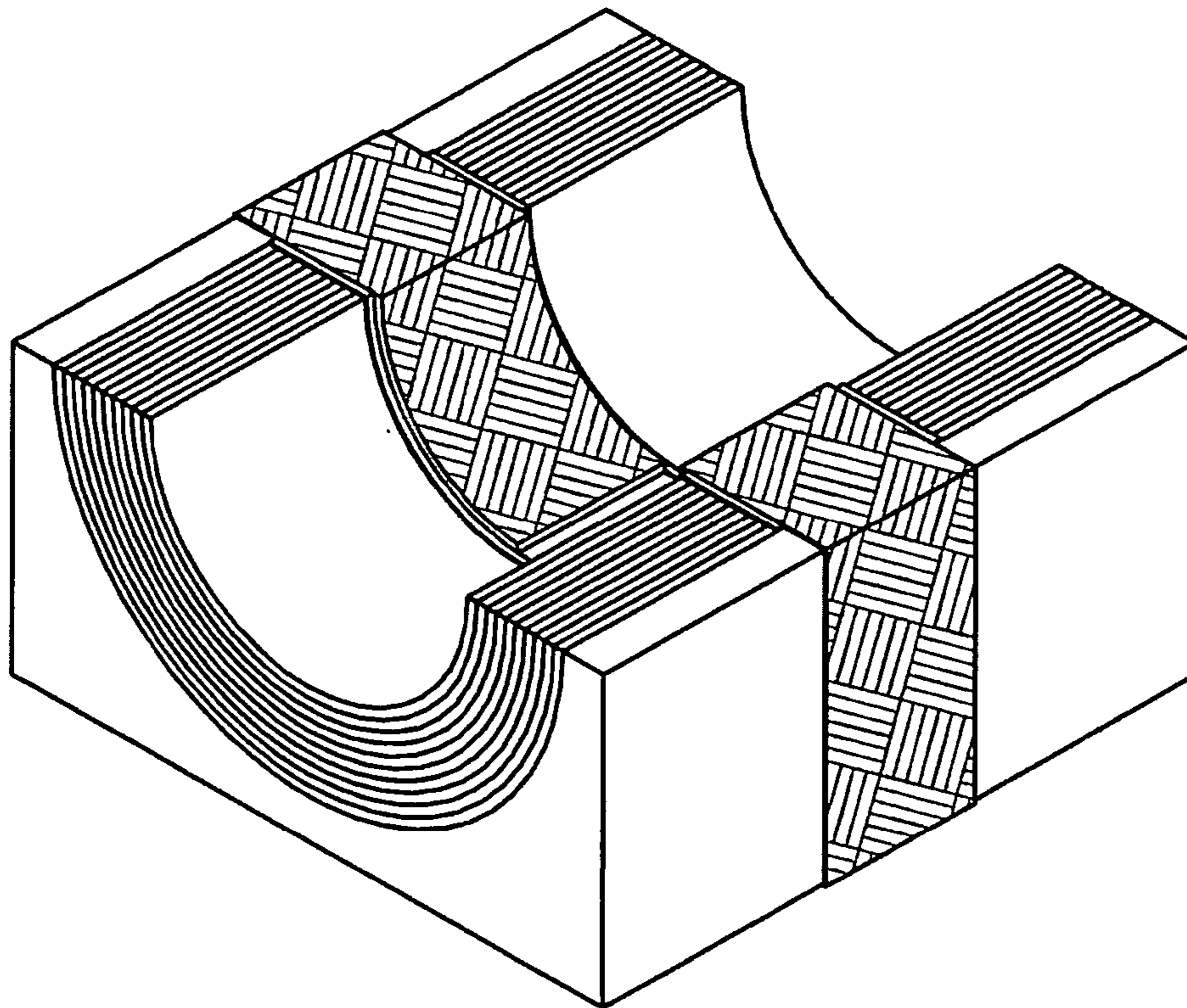


FIG. 1

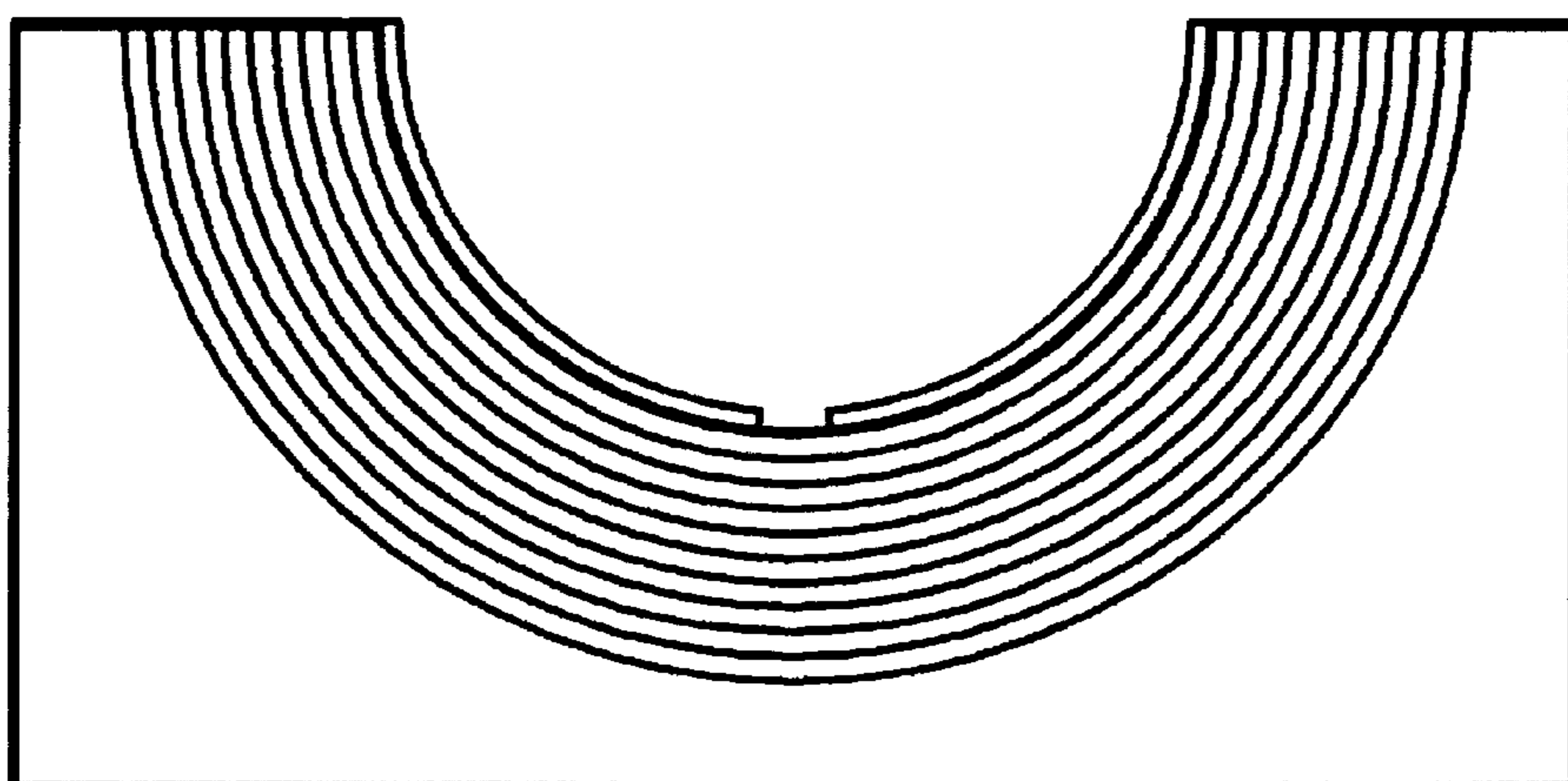


FIG. 2

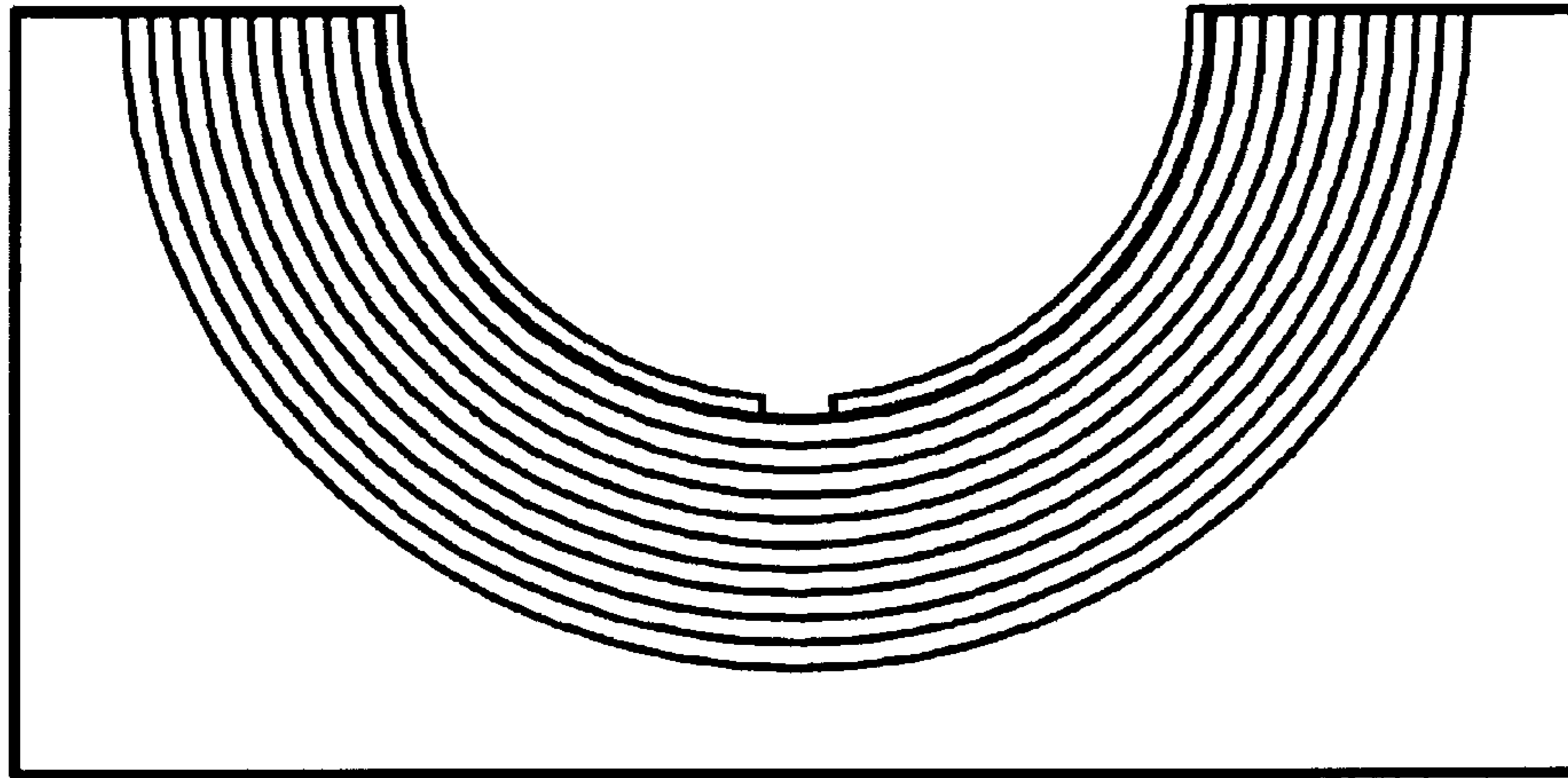


FIG. 3

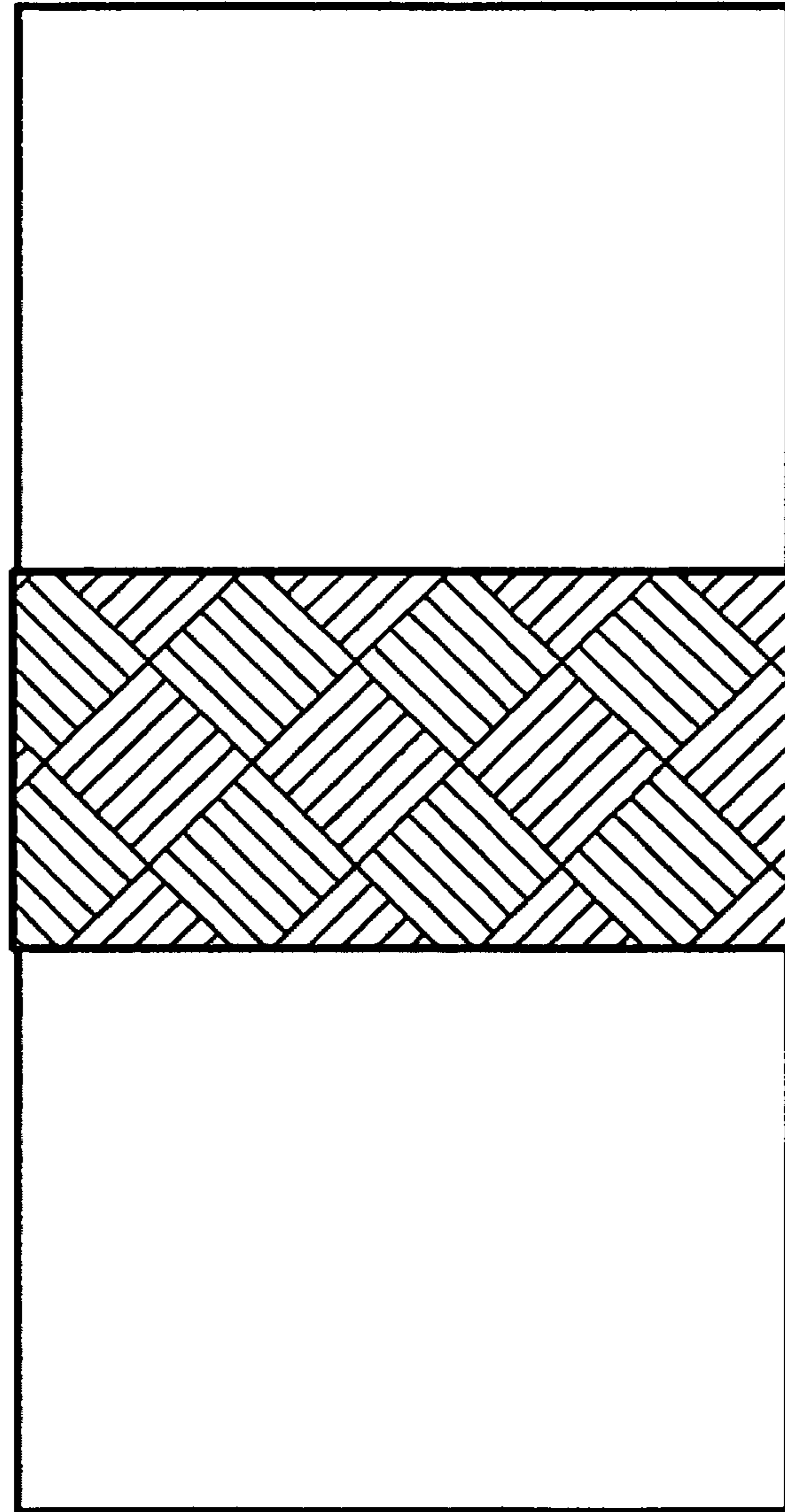


FIG. 4

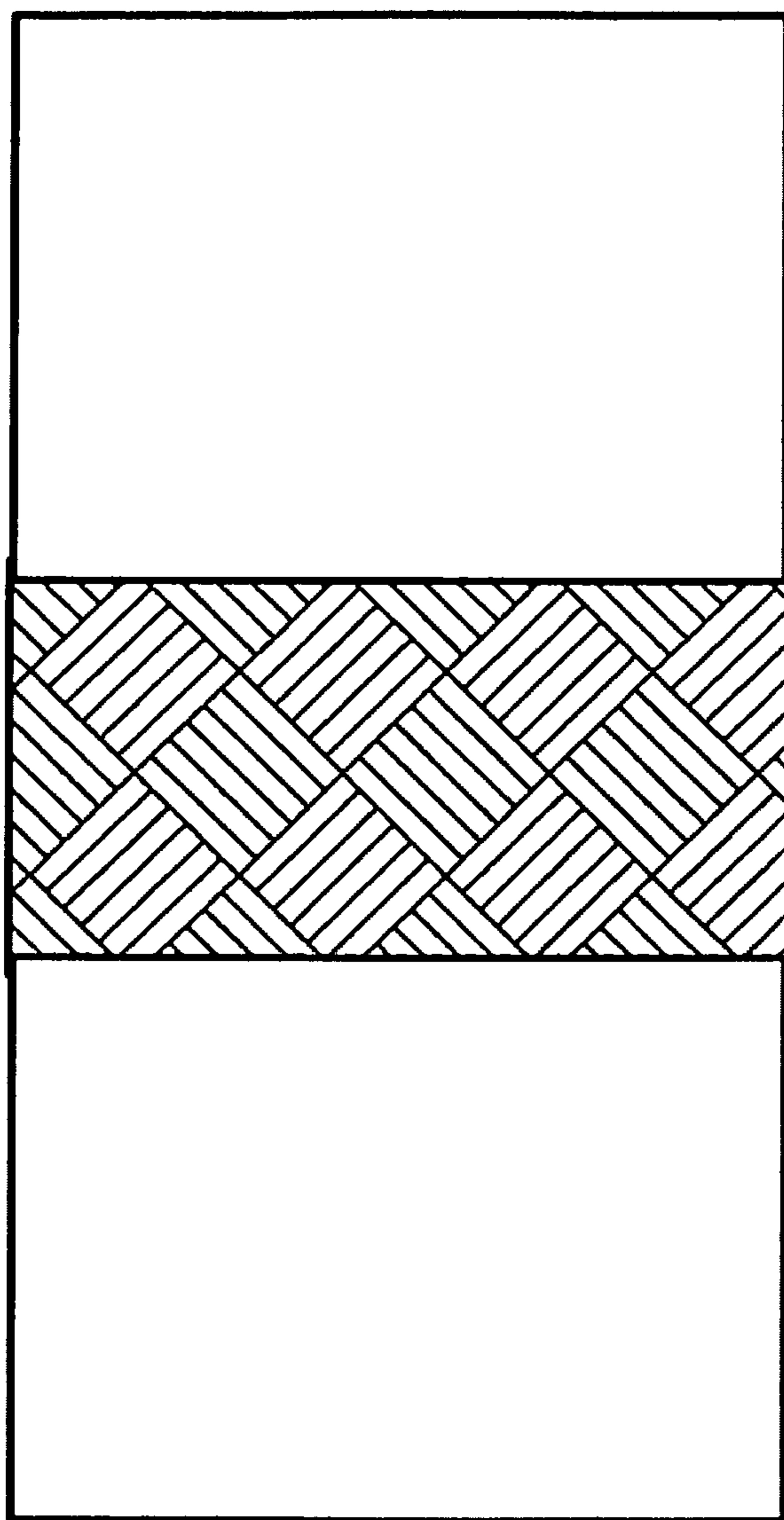


FIG. 5

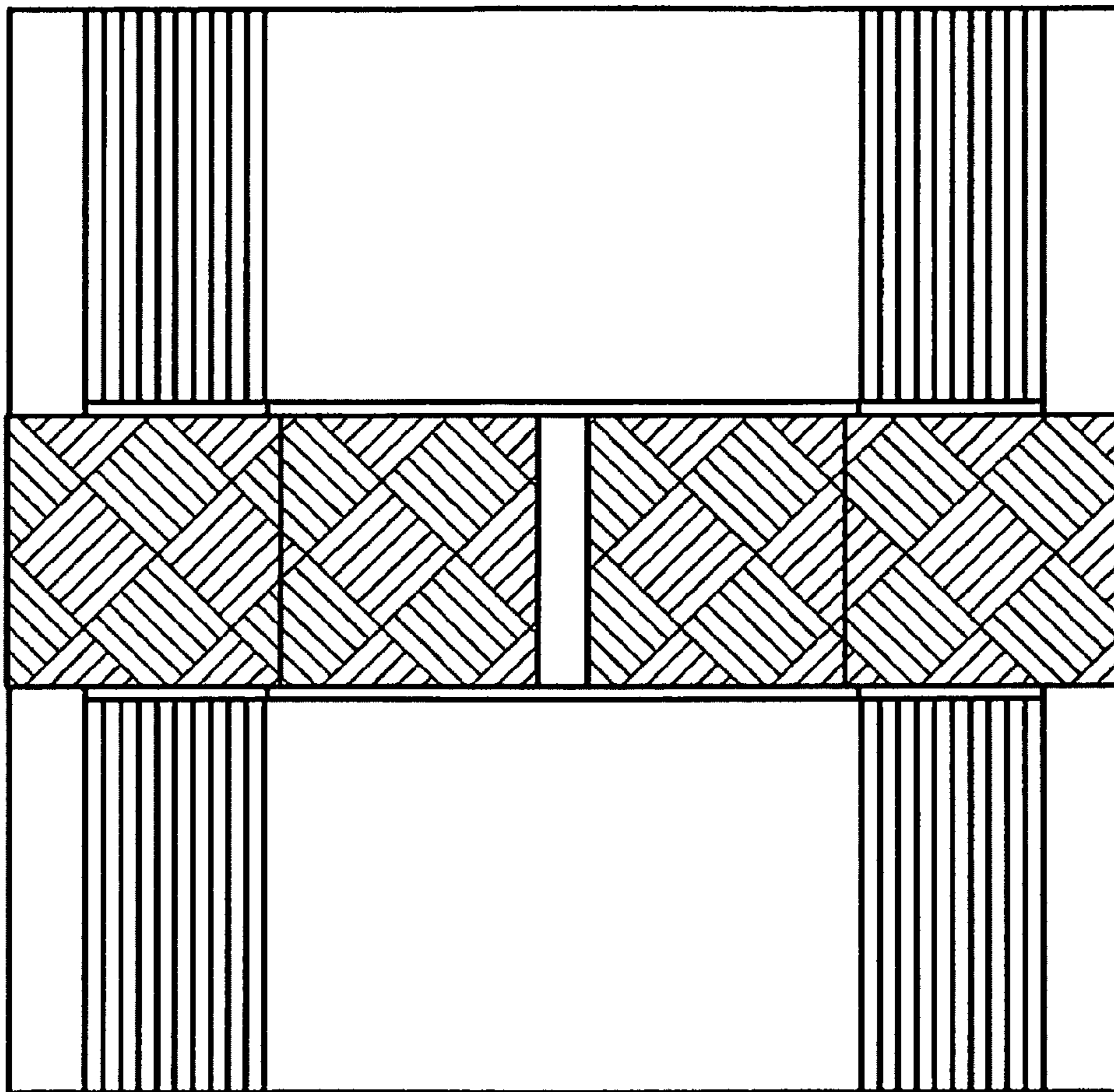


FIG. 6

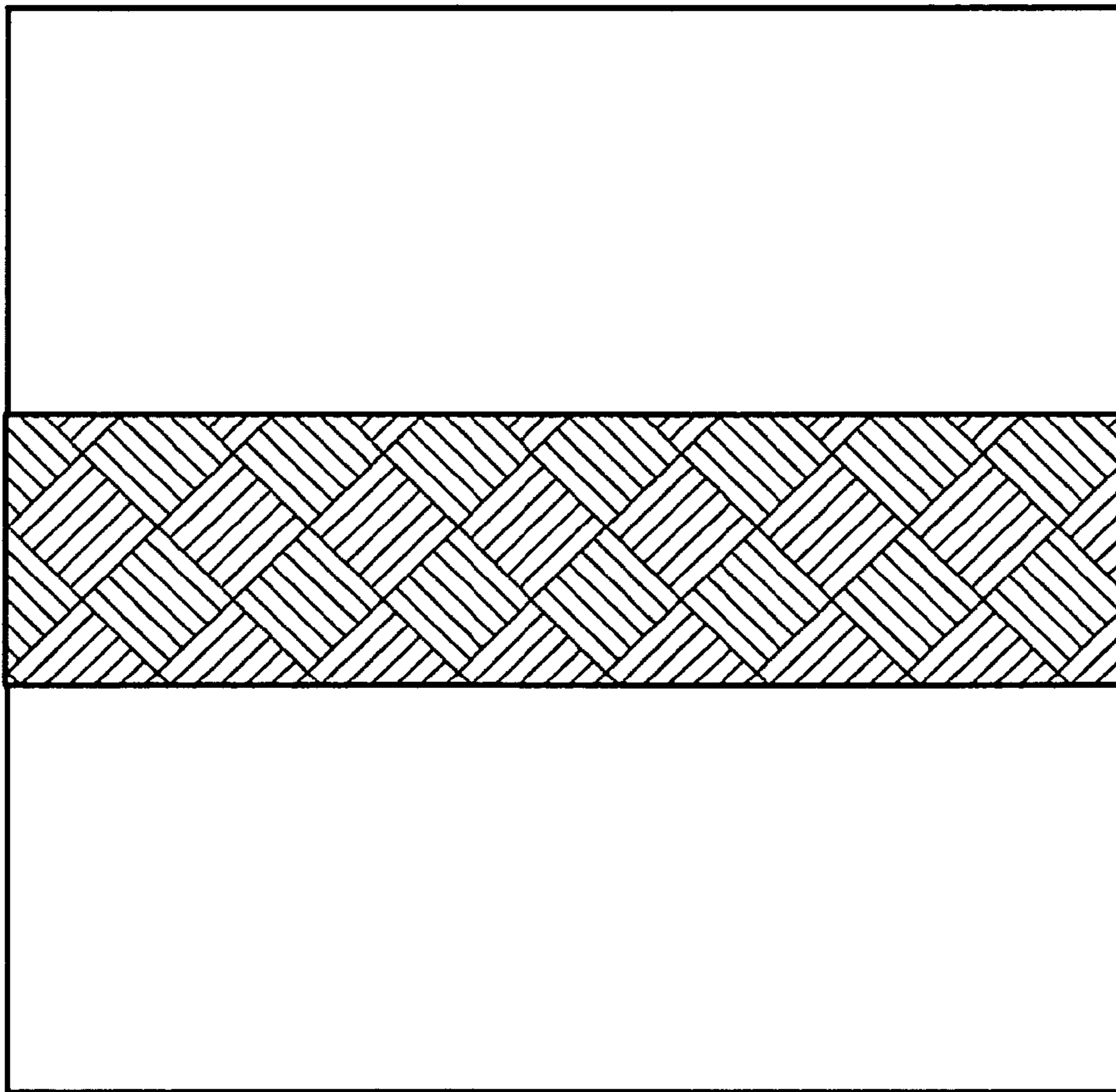


FIG. 7

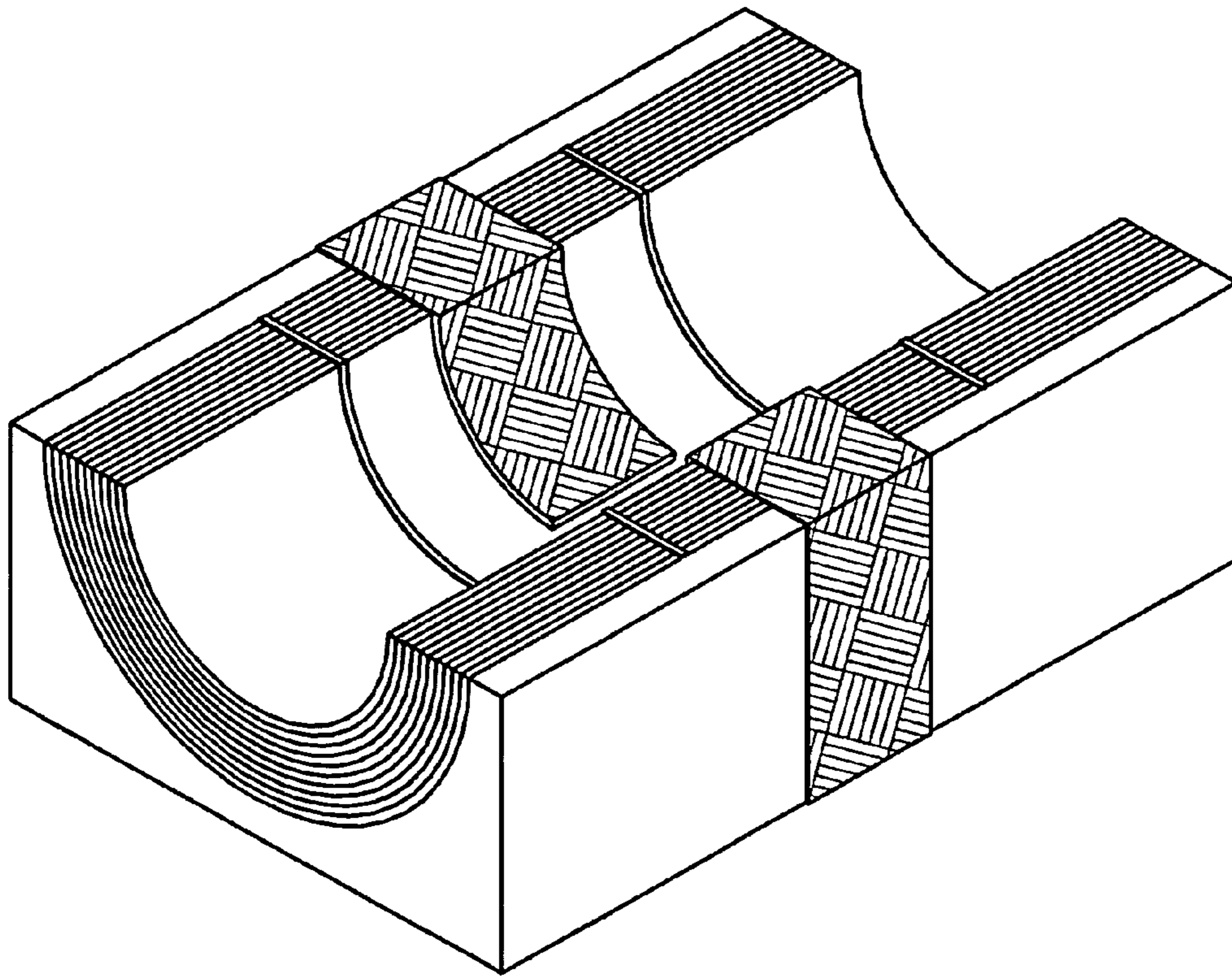


FIG. 8

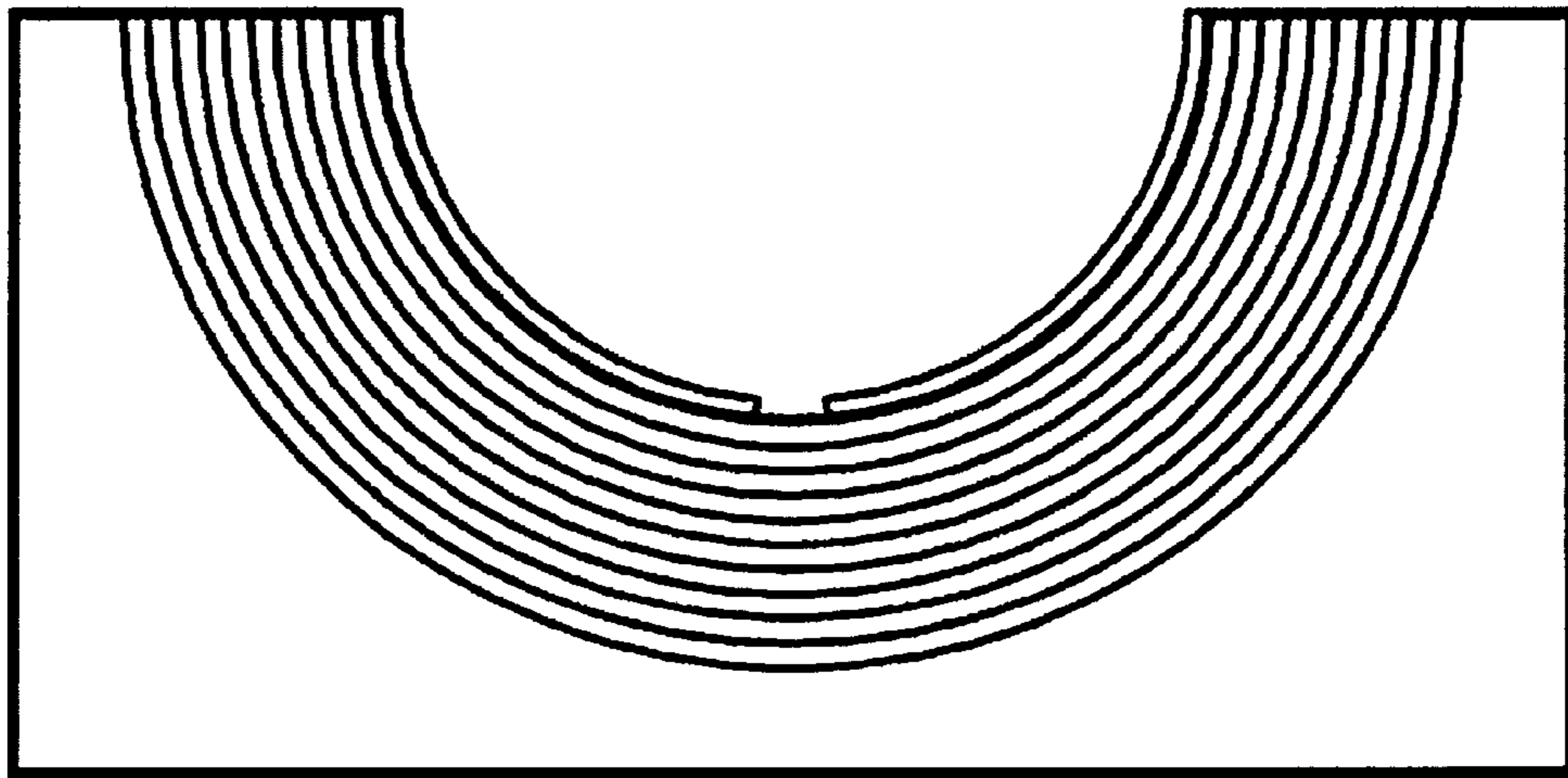


FIG. 9

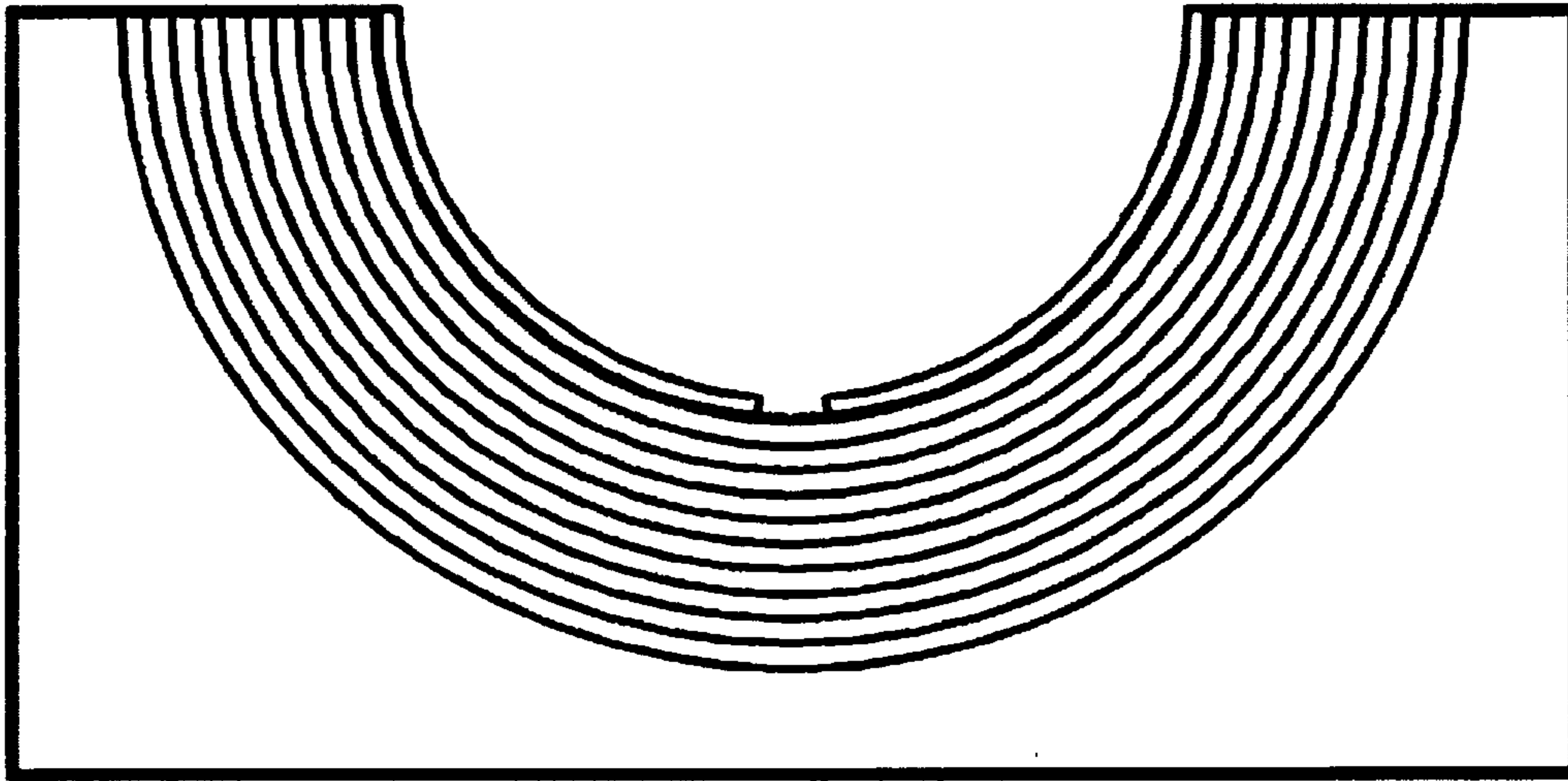


FIG. 10

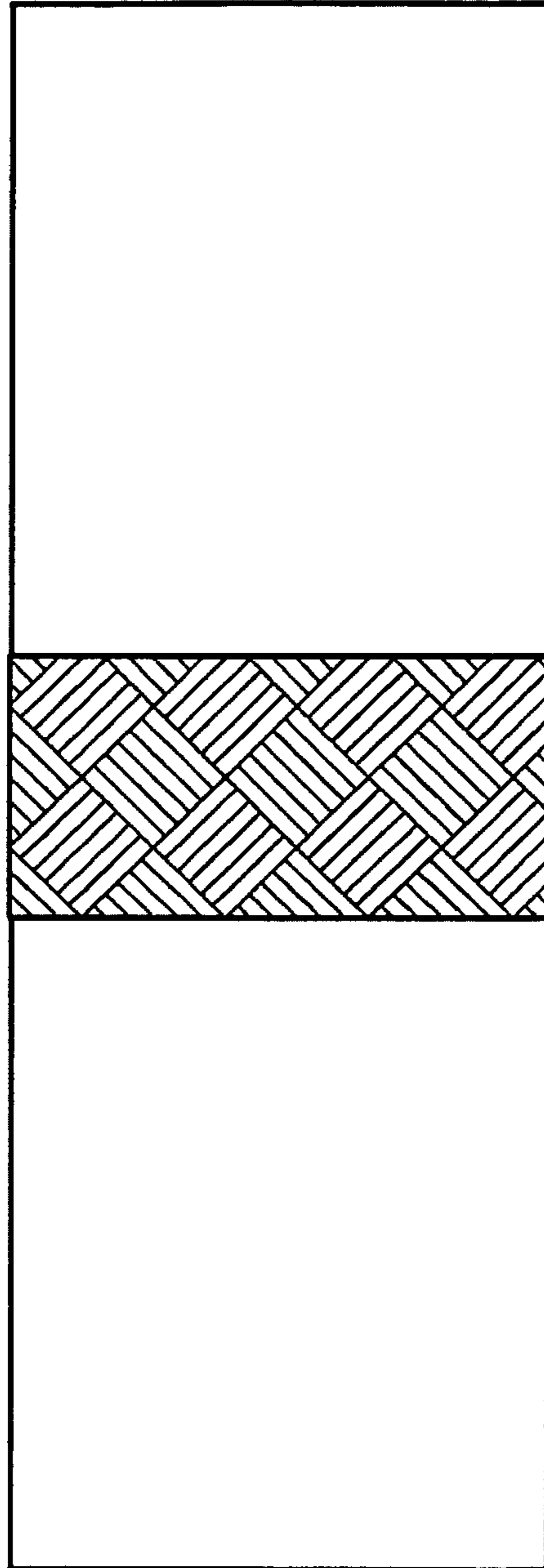


FIG. 11

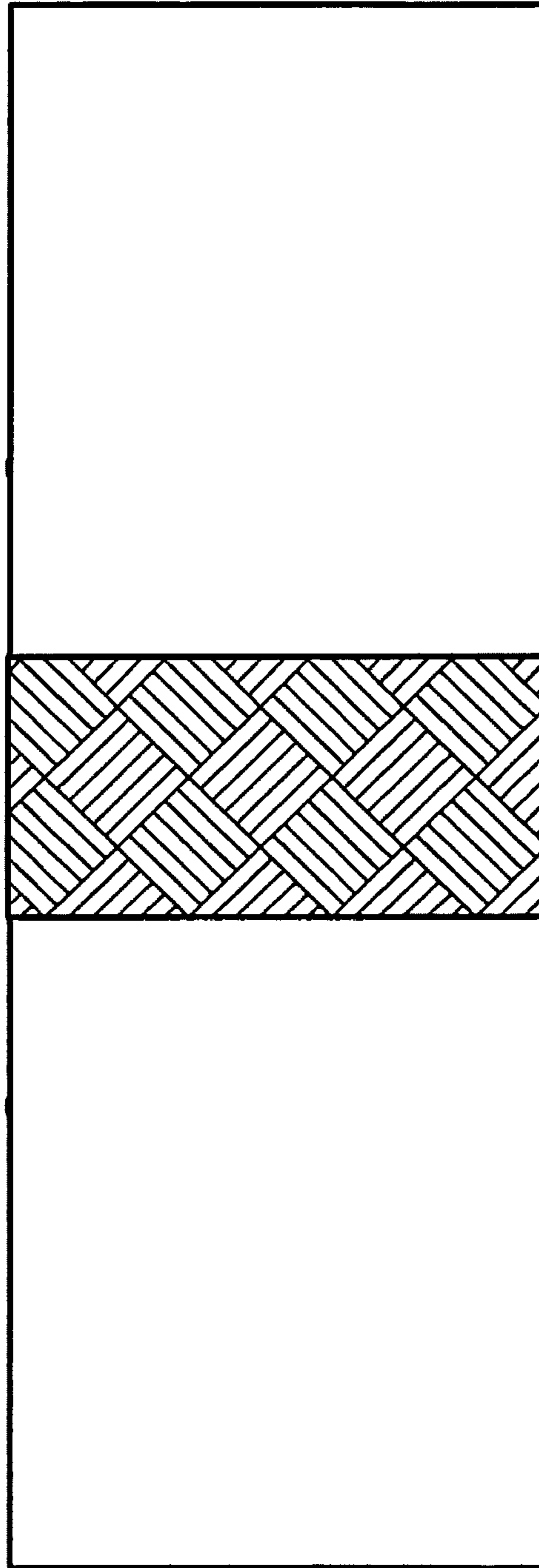


FIG. 12

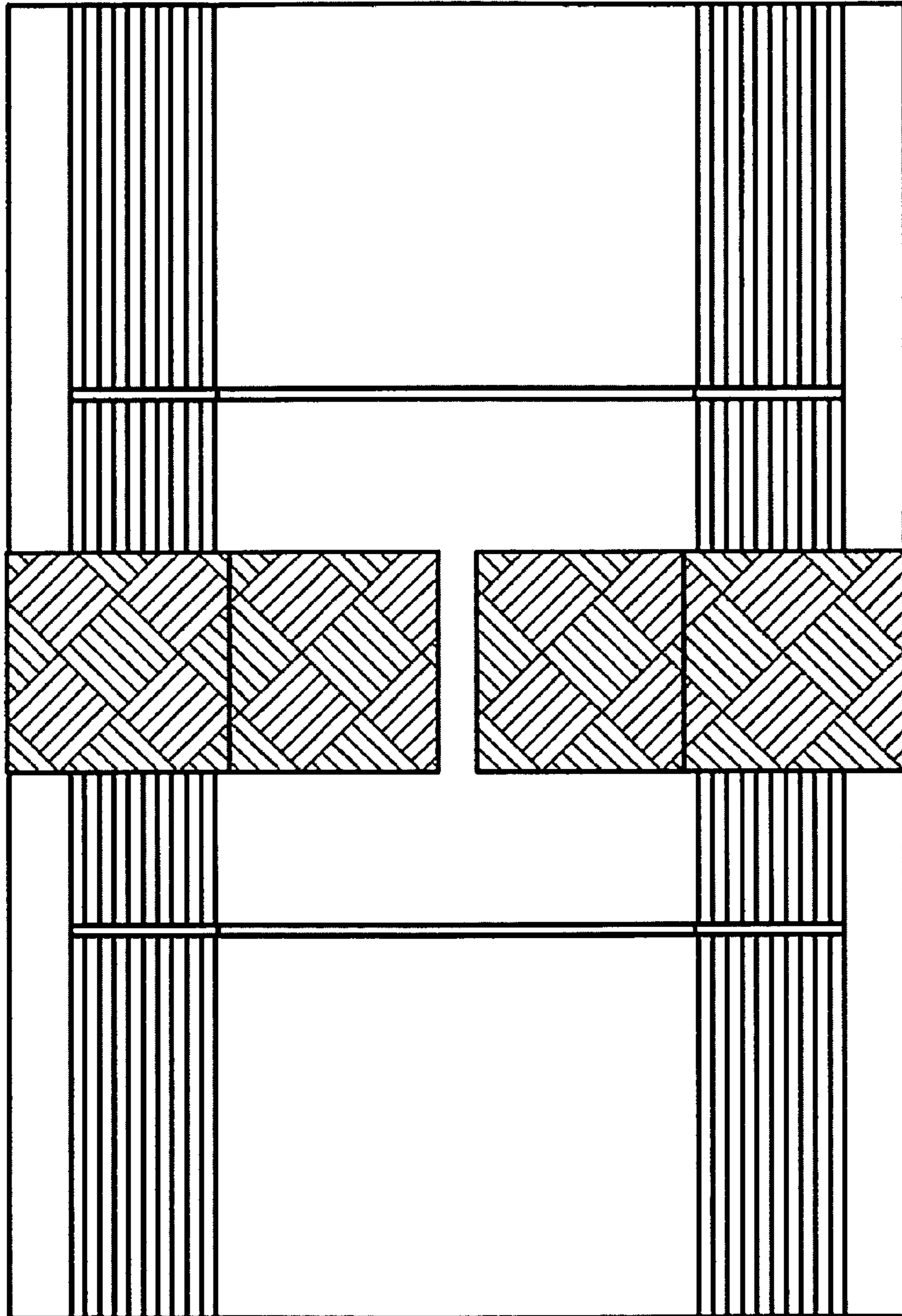


FIG. 13

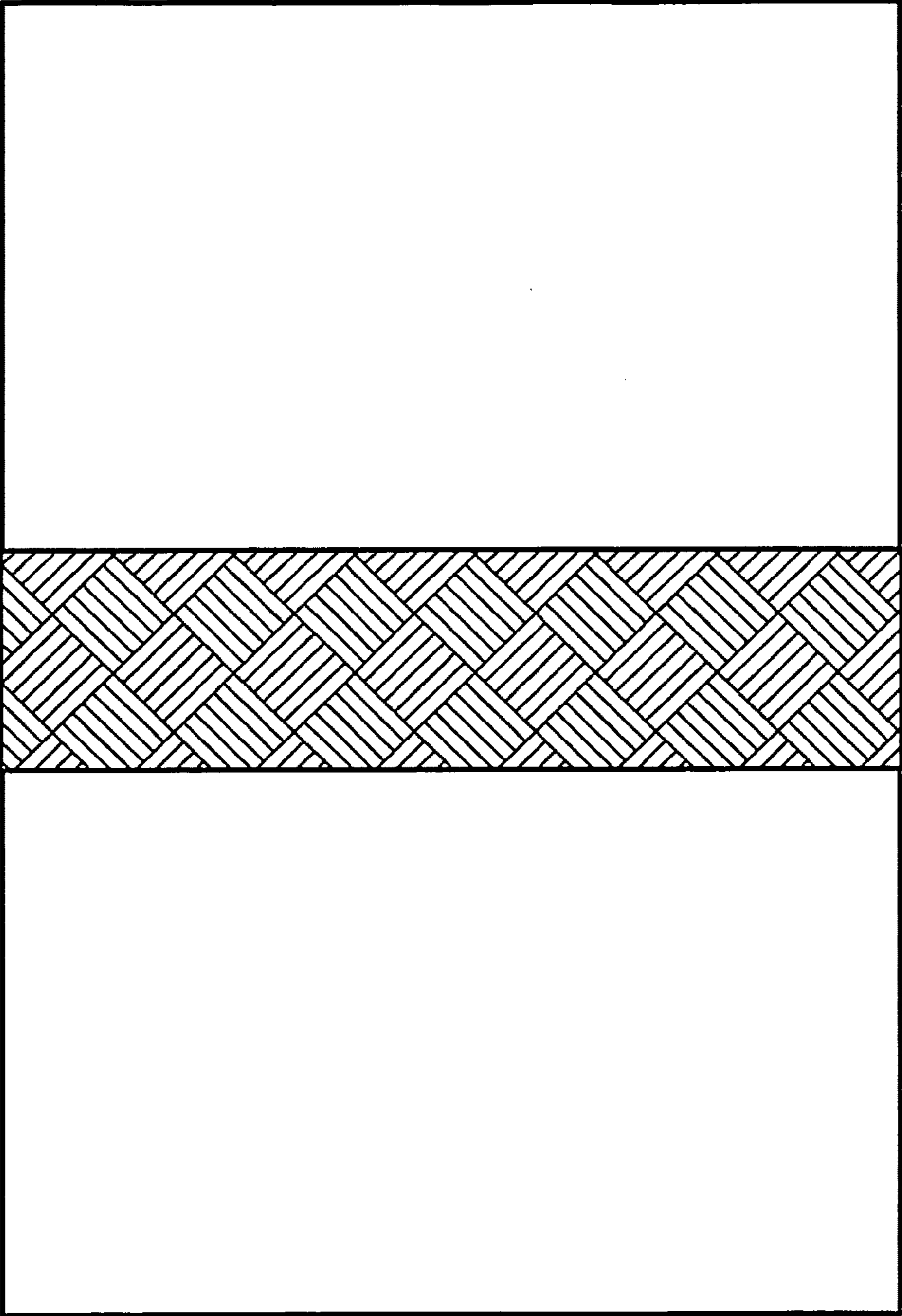


FIG. 14