



US00D704667S

(12) **United States Design Patent**  
**Sharpe et al.**

(10) **Patent No.:** **US D704,667 S**

(45) **Date of Patent:** **\*\* May 13, 2014**

- (54) **CORD ORGANIZER**
- (71) Applicants: **Gary L. Sharpe**, Naples, FL (US);  
**Brian Dutro**, Columbus, OH (US);  
**Harrison Le**, Tampa, FL (US)
- (72) Inventors: **Gary L. Sharpe**, Naples, FL (US);  
**Brian Dutro**, Columbus, OH (US);  
**Harrison Le**, Tampa, FL (US)
- (\*\*) Term: **14 Years**
- (21) Appl. No.: **29/435,884**
- (22) Filed: **Oct. 30, 2012**
- (51) **LOC (10) Cl.** ..... **13-03**
- (52) **U.S. Cl.**  
USPC ..... **D13/155**
- (58) **Field of Classification Search**  
USPC ..... D13/155, 153, 154, 156, 157, 184, 199;  
D8/349, 354, 356, 394; 174/68.1, 68.2,  
174/68.3; 248/49, 53, 60; 361/827;  
385/134, 135; 439/207, 210, 445, 446,  
439/447; D10/64  
See application file for complete search history.

3,752,148 A	8/1973	Schmalzbach
3,924,819 A	12/1975	Lapinskas
4,062,430 A	12/1977	Momberg
4,101,089 A	7/1978	Culbertson
4,285,486 A	8/1981	Von Osten
4,454,374 A	6/1984	Pollack
4,475,649 A	10/1984	Haarbosch
4,498,693 A	2/1985	Schindele
4,720,768 A	1/1988	Schindele
4,724,844 A	2/1988	Rafelson
4,780,935 A	11/1988	Palombit
4,809,393 A	3/1989	Goodrich
4,854,014 A	8/1989	Ueno
4,878,586 A	11/1989	Bancroft
4,904,827 A	2/1990	Potter
4,974,798 A	12/1990	Harding
4,991,265 A	2/1991	Campbell
5,130,496 A	7/1992	Jenkins
5,255,767 A	10/1993	Norwood
5,273,454 A	12/1993	Shotey
5,293,668 A	3/1994	Tibiletti
5,372,146 A	12/1994	Branch
5,397,243 A	3/1995	MacMurdo, Sr.
5,470,249 A	11/1995	Manganello
5,513,643 A	5/1996	Suite
5,513,816 A	5/1996	Grubb

(Continued)

Primary Examiner — Derrick Holland

(74) *Attorney, Agent, or Firm* — Standley Law Group LLP

(56) **References Cited**  
U.S. PATENT DOCUMENTS

613,710 A	11/1898	Orr	
1,856,109 A	5/1932	Bradley	
2,037,668 A	4/1936	Smith	
2,427,801 A	9/1947	McKee	
2,438,143 A	3/1948	Brown	
2,573,636 A	10/1951	Wilson	
2,693,001 A	11/1954	Vance	
3,021,087 A	2/1962	Rudolph	
3,027,115 A	3/1962	Allen	
3,075,723 A	1/1963	Wohlfeil	
3,111,753 A	11/1963	Seibold	
3,389,515 A *	6/1968	Hellebrand	52/94
3,395,308 A	7/1968	Meyer	
3,691,510 A	9/1972	Lehmann	

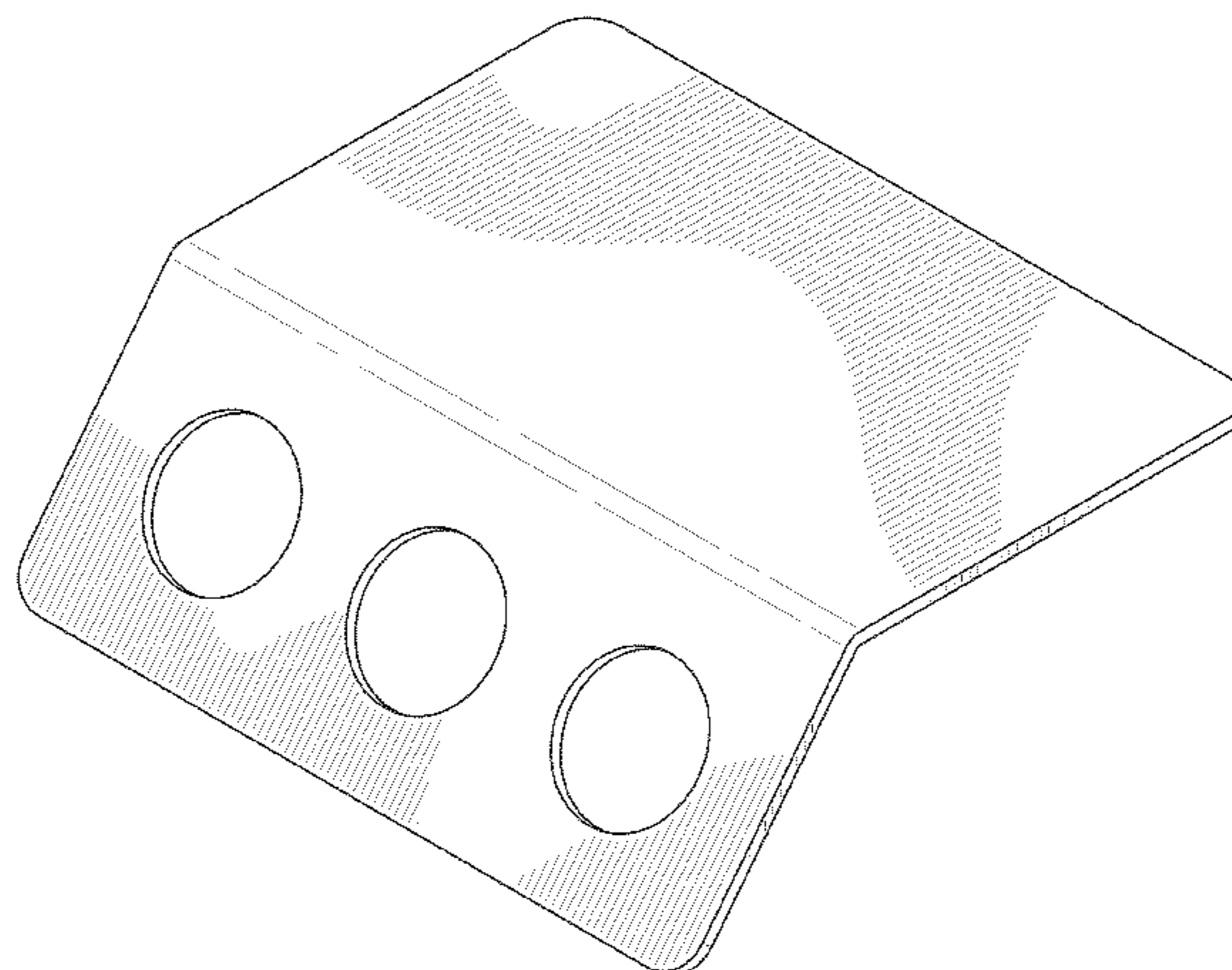
(57) **CLAIM**

The ornamental design for a cord organizer, as shown and described.

**DESCRIPTION**

FIG. 1 is a top perspective view of the cord organizer;  
FIG. 2 is a top plan view thereof;  
FIG. 3 is a front view thereof;  
FIG. 4 is a right side view thereof;  
FIG. 5 is a back view thereof;  
FIG. 6 is a left side view thereof; and,  
FIG. 7 is a bottom plan view thereof.

**1 Claim, 3 Drawing Sheets**



(56)

**References Cited**

U.S. PATENT DOCUMENTS

5,573,422	A	11/1996	Lawliss	6,307,737	B1	10/2001	Ogawa
5,588,444	A	12/1996	Petragallo	6,698,597	B2	3/2004	Marihugh
5,655,272	A	8/1997	Young	7,140,572	B2	11/2006	Glass
5,727,745	A	3/1998	Vara	D539,231	S *	3/2007	Stempinski ..... D13/155
5,836,537	A	11/1998	Glass	D568,254	S *	5/2008	Patchett et al. .... D13/155
5,901,712	A	5/1999	St. Peter	D573,008	S *	7/2008	Sipe ..... D8/356
5,906,501	A	5/1999	Longueville	D593,501	S *	6/2009	Sweeney et al. .... D13/155
6,206,318	B1	3/2001	Glass	7,748,665	B2	7/2010	Janesky
				7,887,002	B2	2/2011	Clark
				D667,289	S *	9/2012	Preda ..... D8/354
				2009/0093169	A1 *	4/2009	McGrath et al. .... 439/719

\* cited by examiner

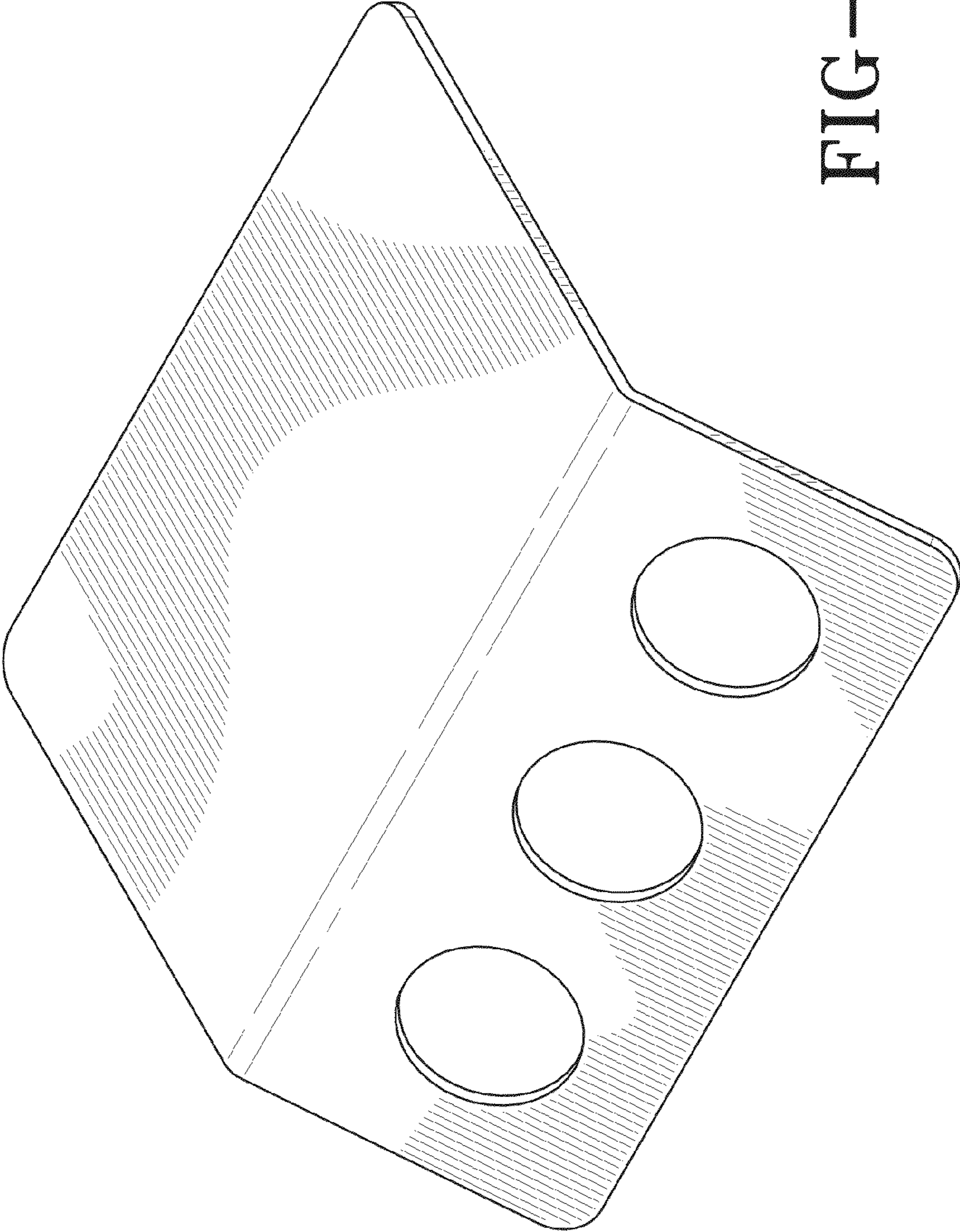


FIG-1

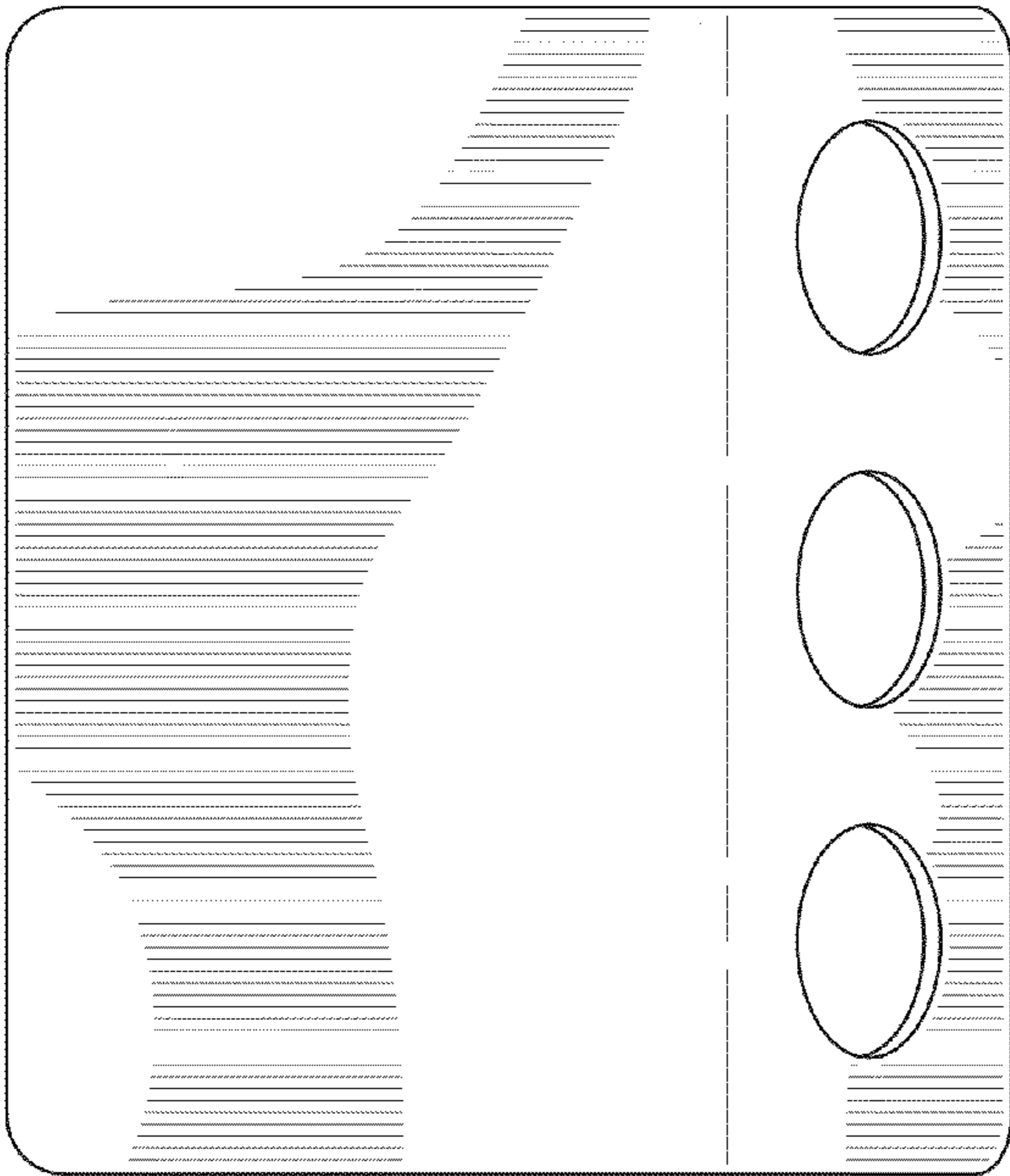


FIG-2

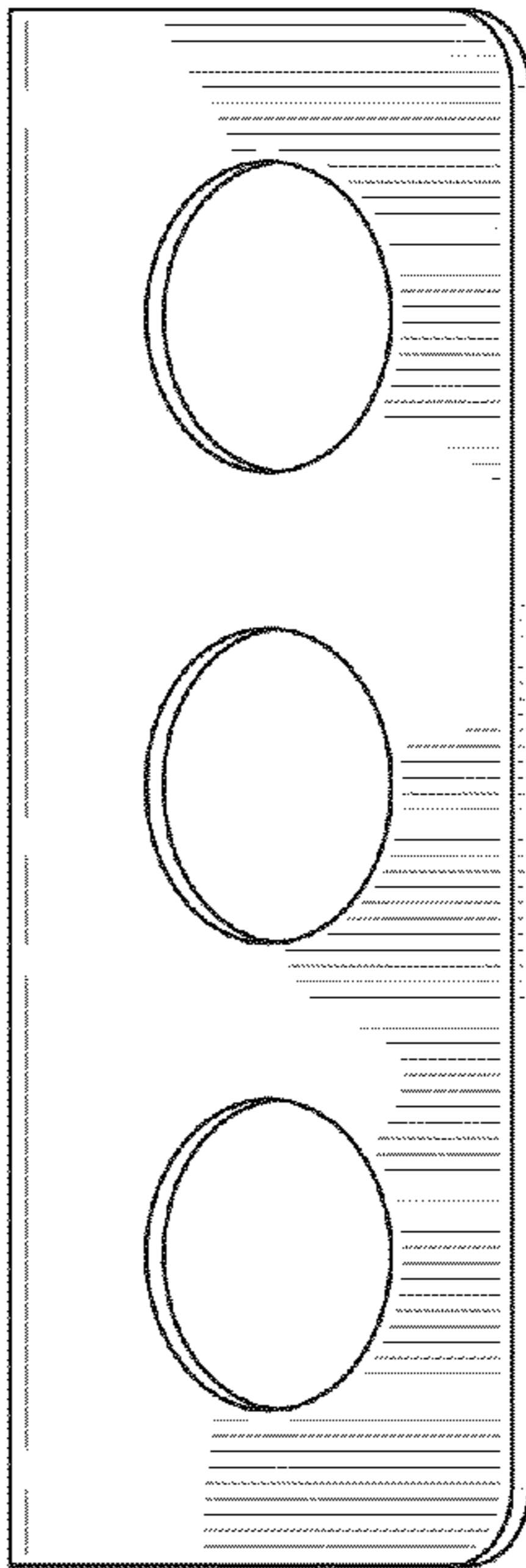


FIG-3

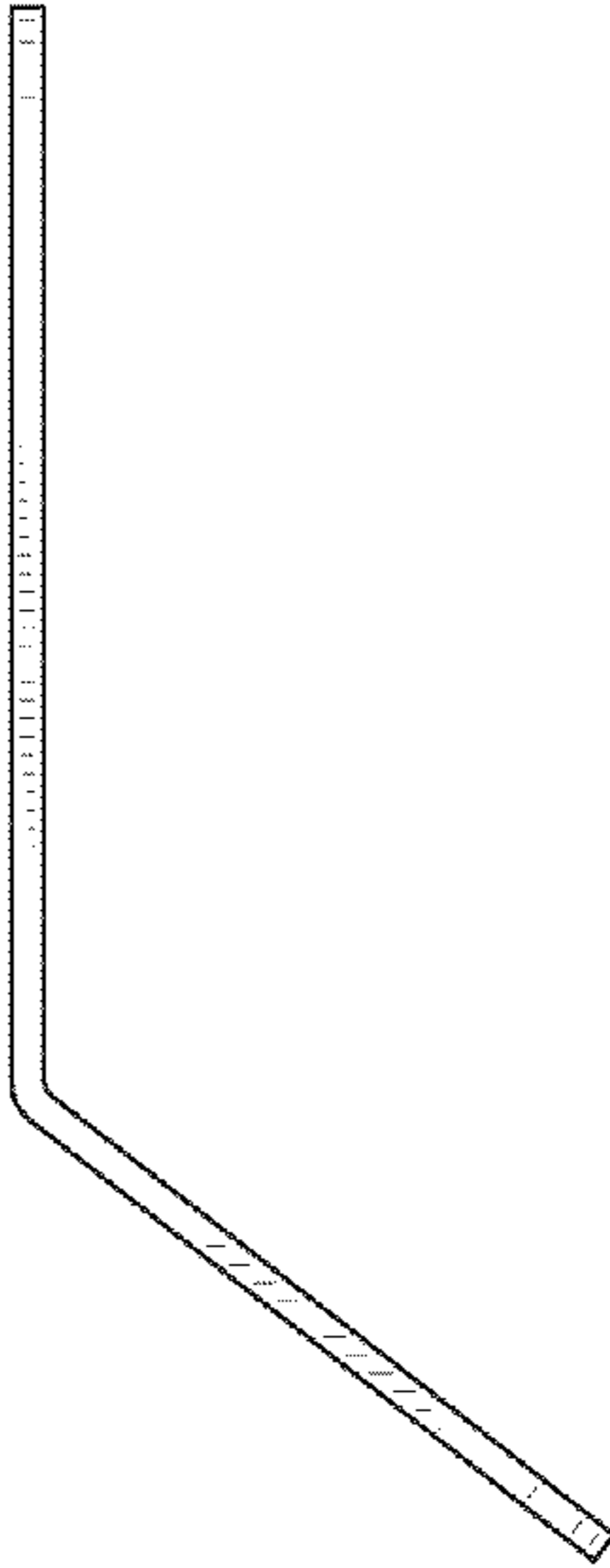


FIG-4



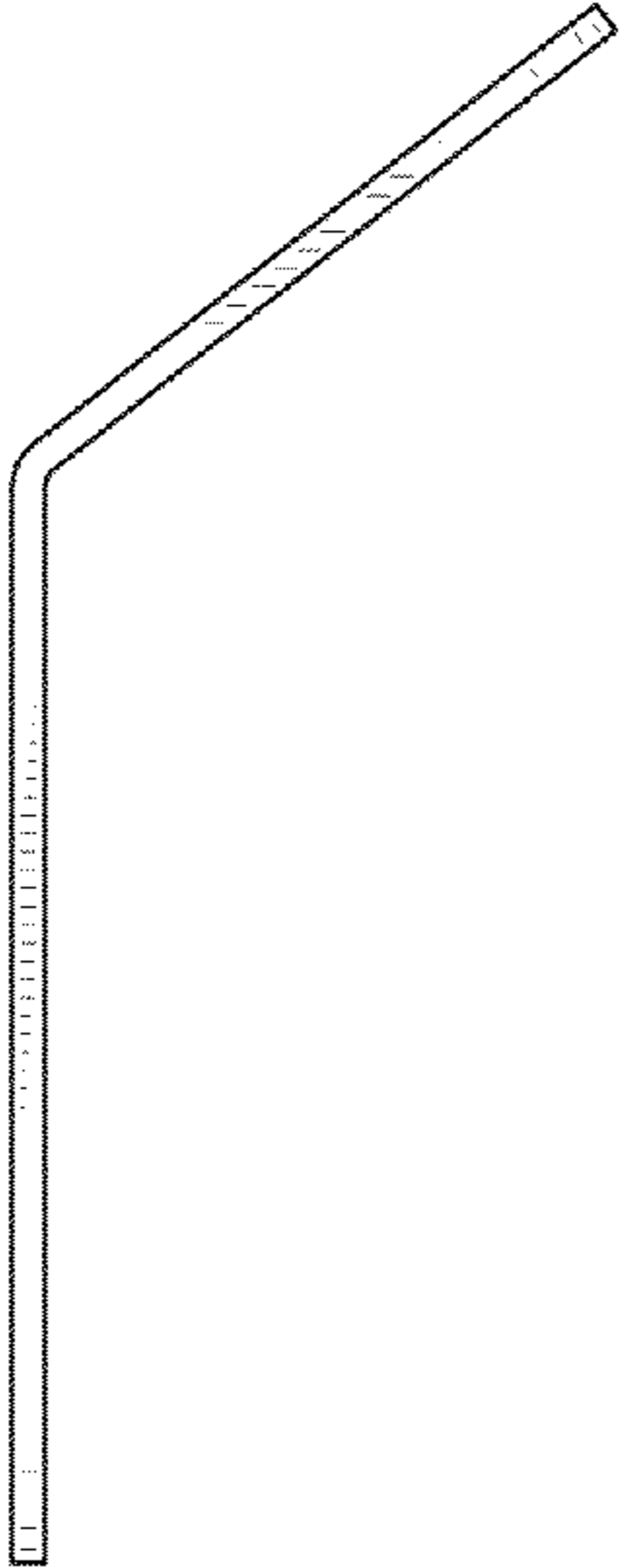


FIG-6

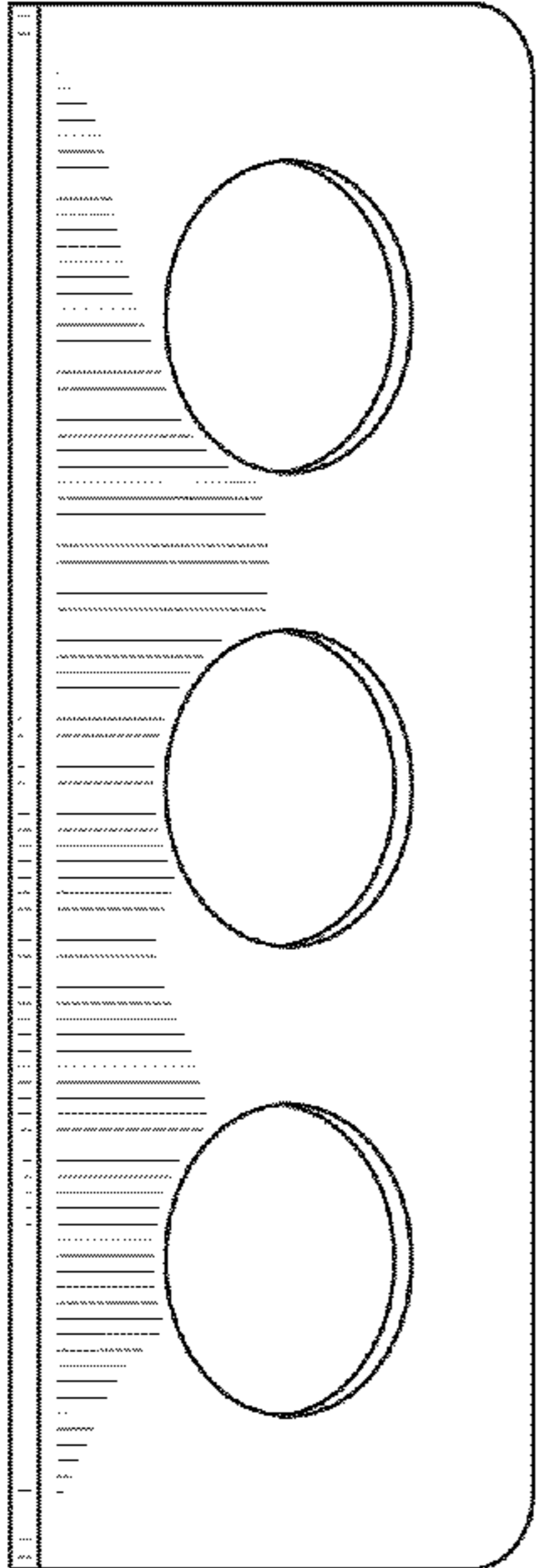


FIG-5

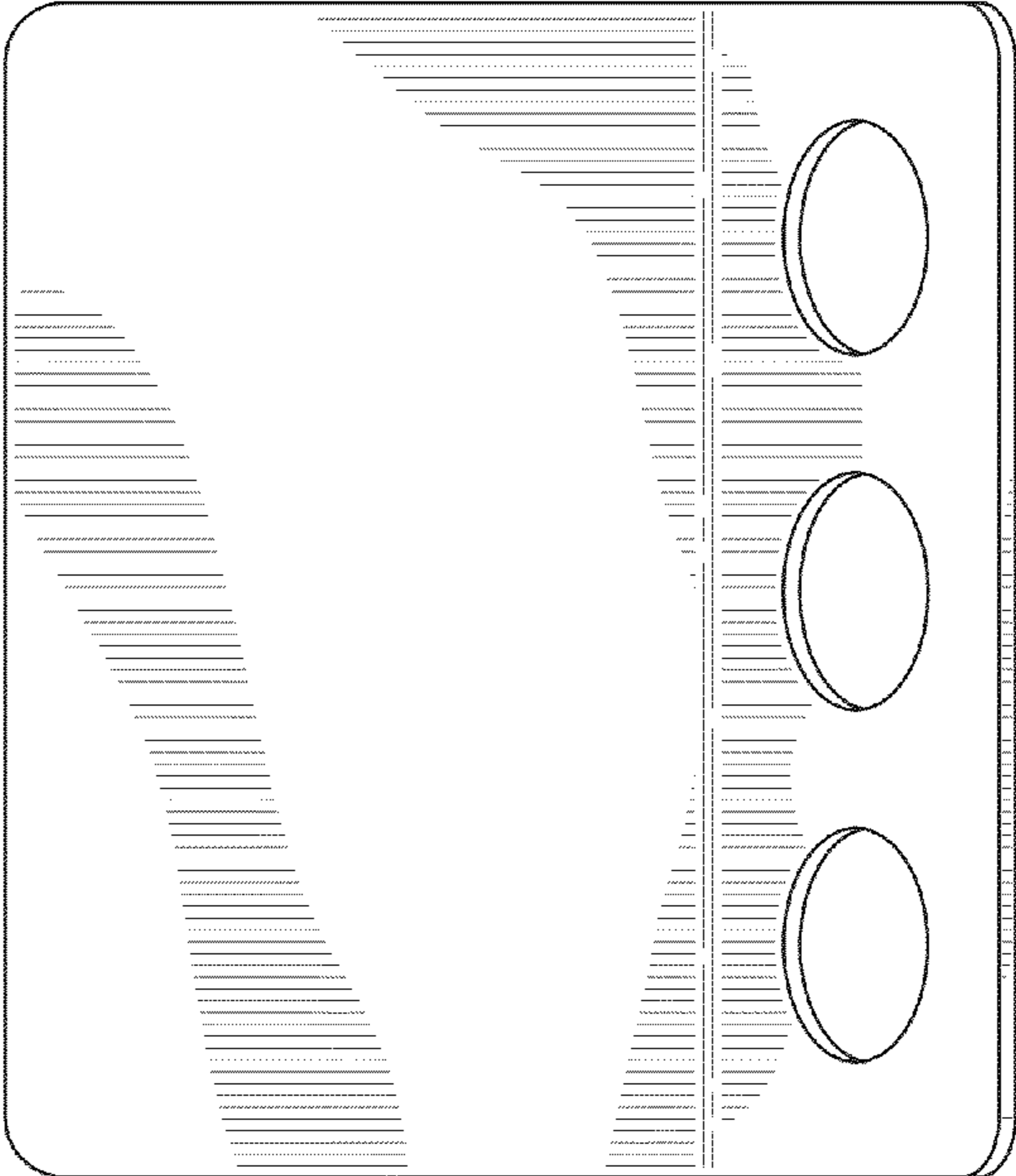


FIG-7