



US00D704666S

(12) **United States Design Patent**
Sasano et al.

(10) **Patent No.:** **US D704,666 S**

(45) **Date of Patent:** **** May 13, 2014**

(54) **CABLE CONNECTION MEMBER FOR TERMINAL BLOCK**

(75) Inventors: **Naoya Sasano**, Kyoto (JP); **Makoto Sato**, Kyoto (JP)

(73) Assignee: **Omron Corporation**, Kyoto (JP)

(**) Term: **14 Years**

(21) Appl. No.: **29/410,982**

(22) Filed: **Jan. 13, 2012**

(30) **Foreign Application Priority Data**

Jul. 13, 2011 (JP) 2011-16105
Jul. 13, 2011 (JP) 2011-16106

(51) **LOC (10) Cl.** **13-03**

(52) **U.S. Cl.**
USPC **D13/154**

(58) **Field of Classification Search**
USPC D13/118, 119, 120, 133, 146, 147, 148,
D13/154, 184, 199; 439/839, 849-850, 852,
439/862, 870, 877, 884-885, 887-891
See application file for complete search history.

(56) **References Cited**

U.S. PATENT DOCUMENTS

3,771,111 A * 11/1973 Pritulsky 439/850
D568,246 S * 5/2008 Wu et al. D13/133
D601,970 S * 10/2009 Peng et al. D13/154
D605,601 S * 12/2009 Chen D13/154
D607,834 S * 1/2010 Huang D13/154
D608,295 S * 1/2010 Huang D13/154
D614,583 S * 4/2010 Wang D13/154
D627,304 S * 11/2010 Huang et al. D13/154
D660,248 S * 5/2012 Zhang et al. D13/154

* cited by examiner

Primary Examiner — Daniel Bui

(74) *Attorney, Agent, or Firm* — Harness, Dickey & Pierce, P.L.C.

(57) **CLAIM**

The ornamental design for a cable connection member for terminal block, as shown and described.

DESCRIPTION

FIG. 1 is a top, front and left side perspective view of a cable connection member for terminal block showing our new design;
FIG. 2 is a bottom, front and right side perspective view thereof;
FIG. 3 is a front elevational view thereof;
FIG. 4 is a rear elevational view thereof;
FIG. 5 is a left side view thereof;
FIG. 6 is a right side view thereof;
FIG. 7 is a top plan view thereof;
FIG. 8 is a bottom plan view thereof;
FIG. 9 is an enlarged cross-sectional view taken along the line of IX-IX of FIG. 3;
FIG. 10 is an exploded perspective view thereof;
FIG. 11 is a top, front and left side perspective view of a cable connection member for terminal block showing a second embodiment of our new design;
FIG. 12 is a bottom, front and right side perspective view thereof;
FIG. 13 is a front elevational view thereof;
FIG. 14 is a rear elevational view thereof;
FIG. 15 is a left side view thereof;
FIG. 16 is a right side view thereof;
FIG. 17 is a top plan view thereof;
FIG. 18 is a bottom plan view thereof;
FIG. 19 is an enlarged cross-sectional view taken along the line of XIX-XIX of FIG. 13; and,
FIG. 20 is an exploded perspective view thereof.

1 Claim, 10 Drawing Sheets

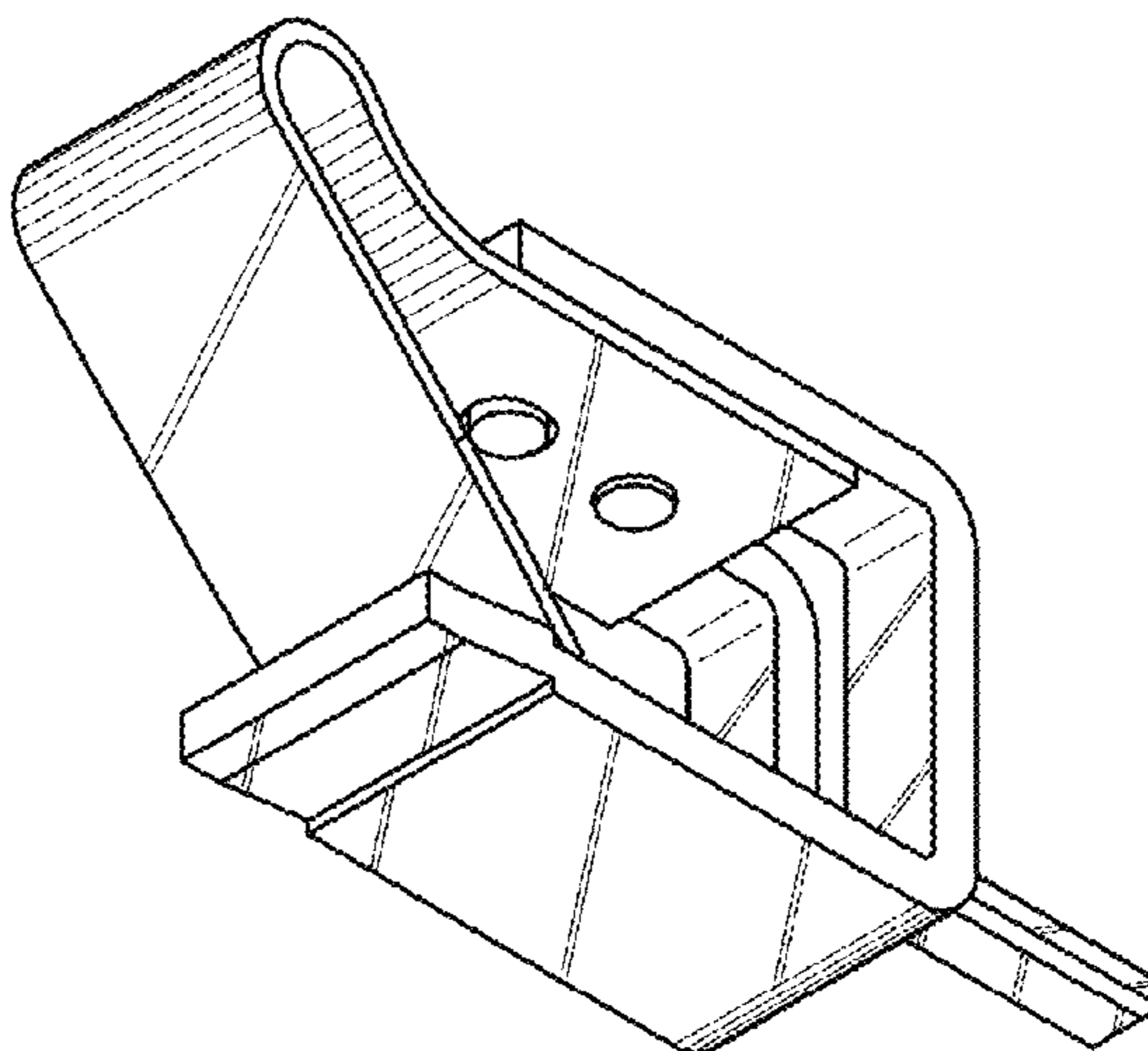
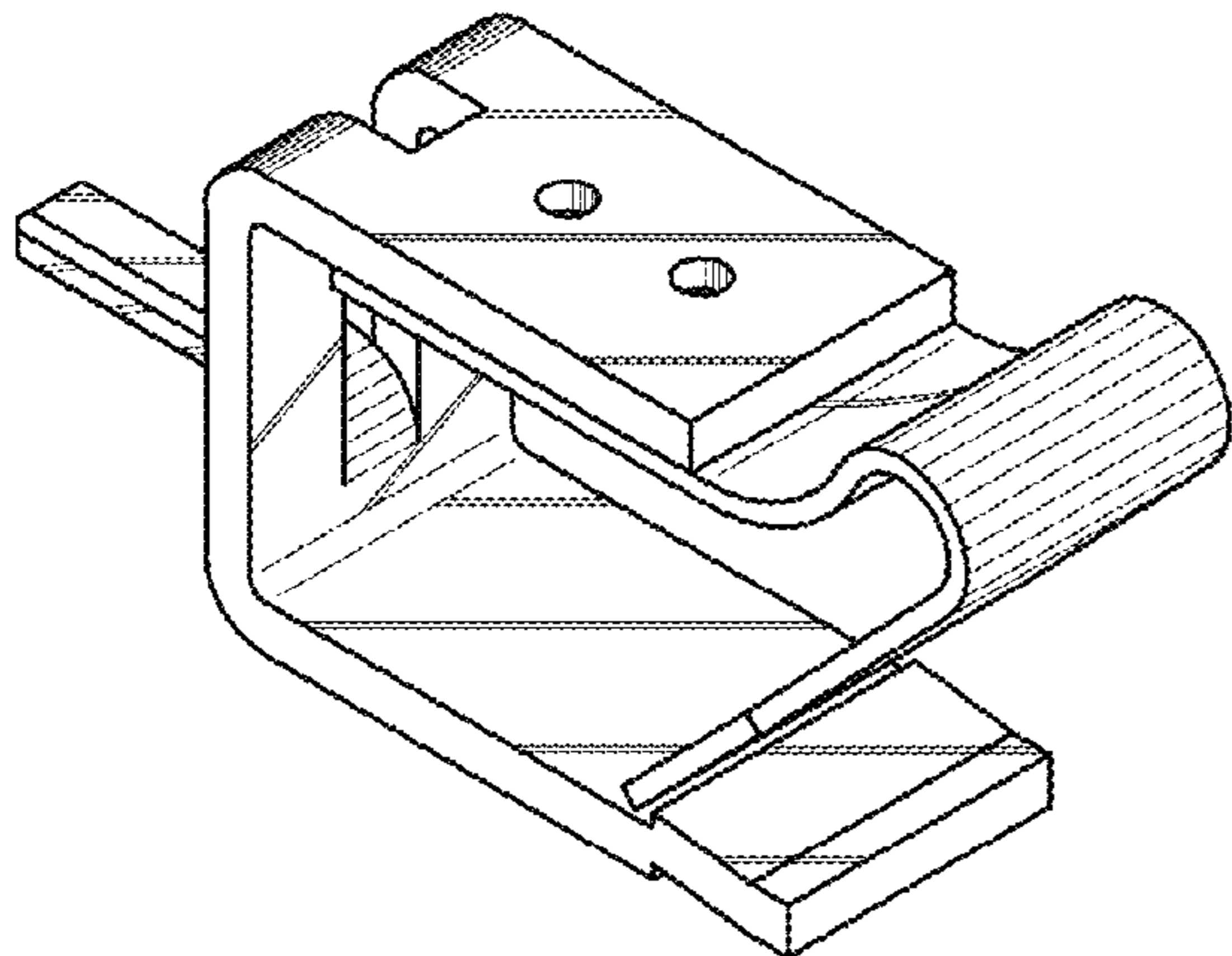


Fig. 1

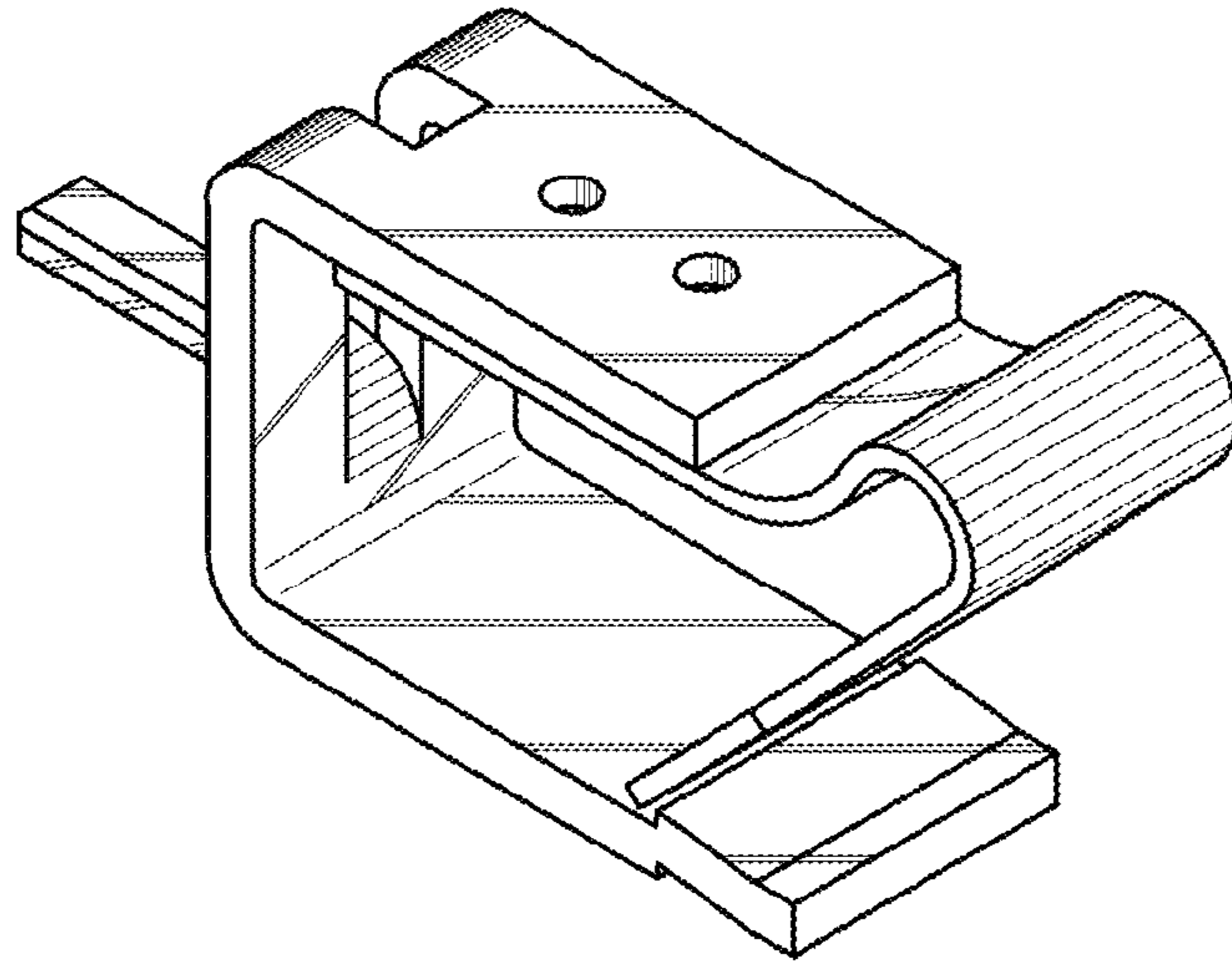


Fig. 2

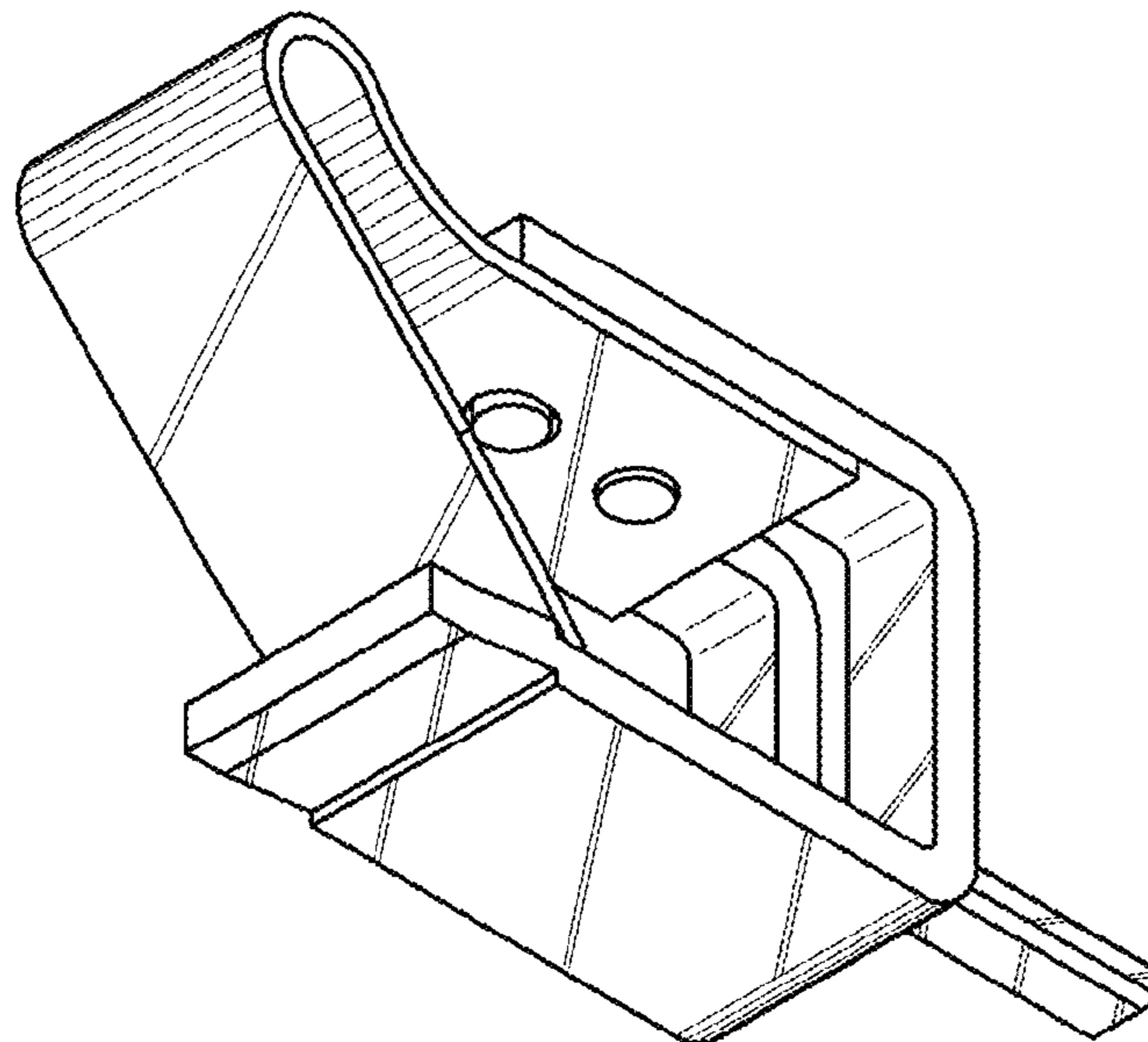


Fig. 3

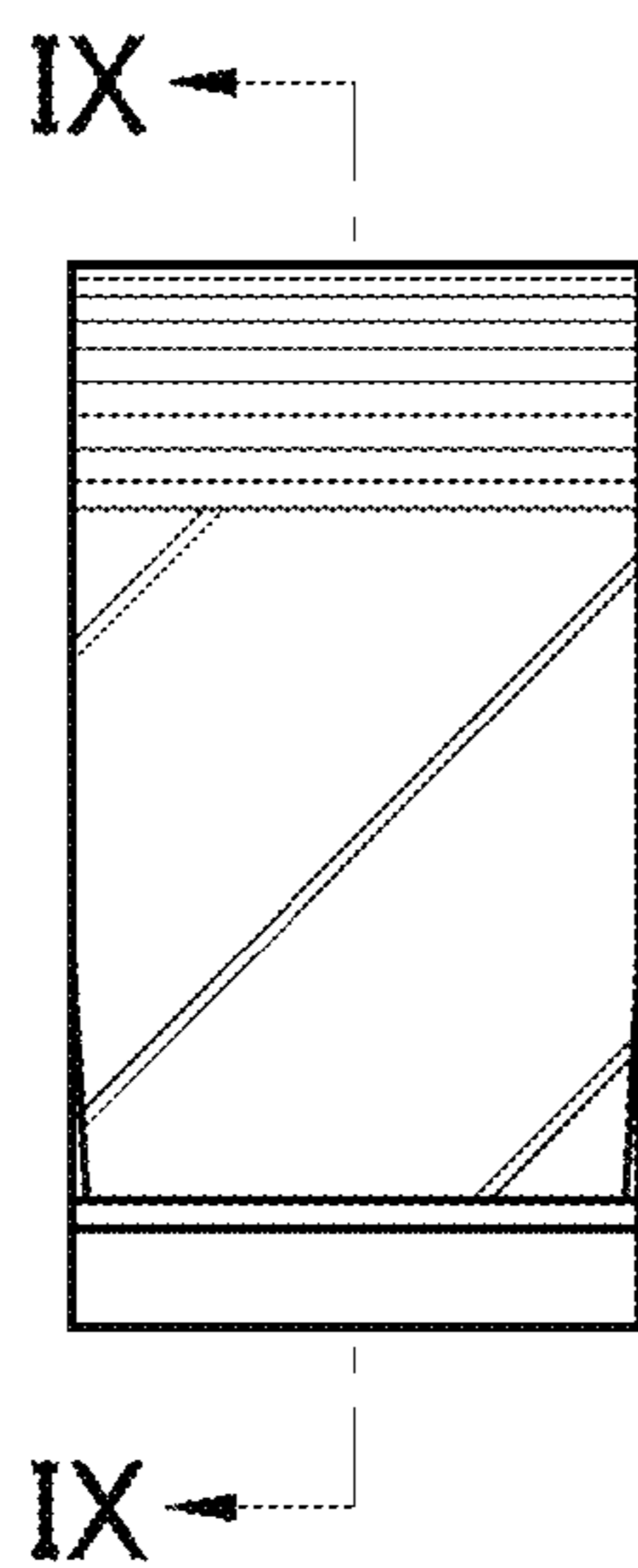


Fig. 4

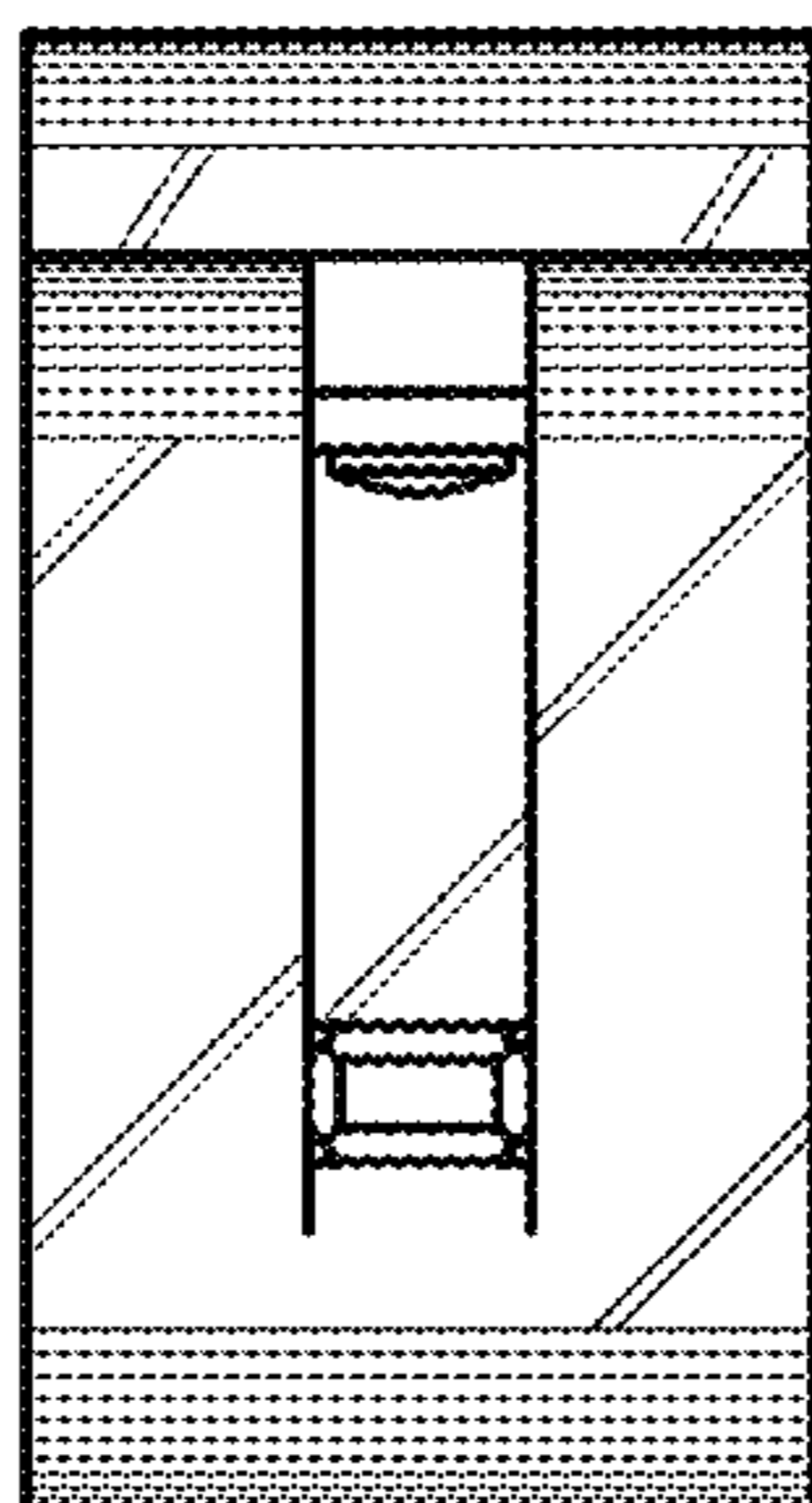


Fig. 5

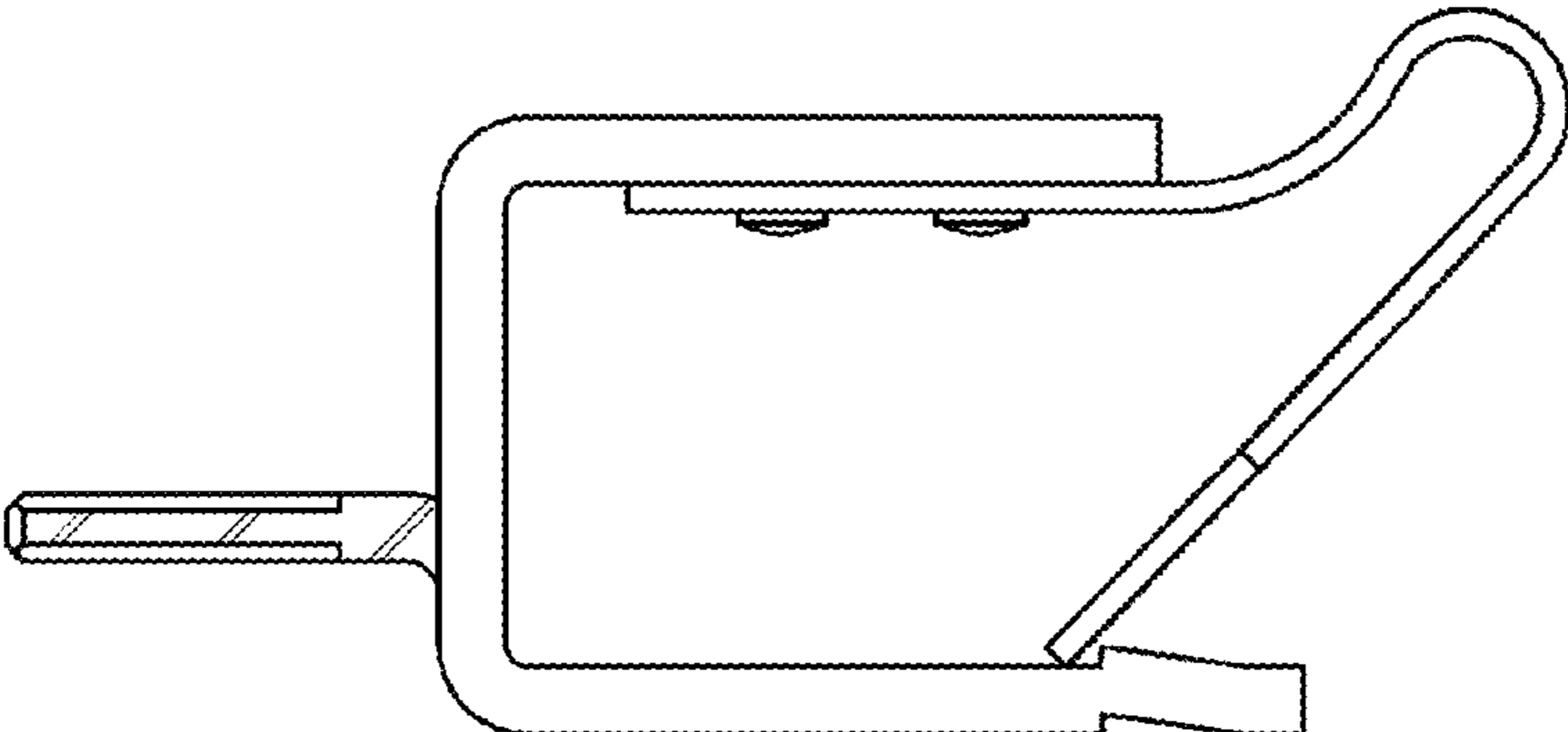


Fig. 6

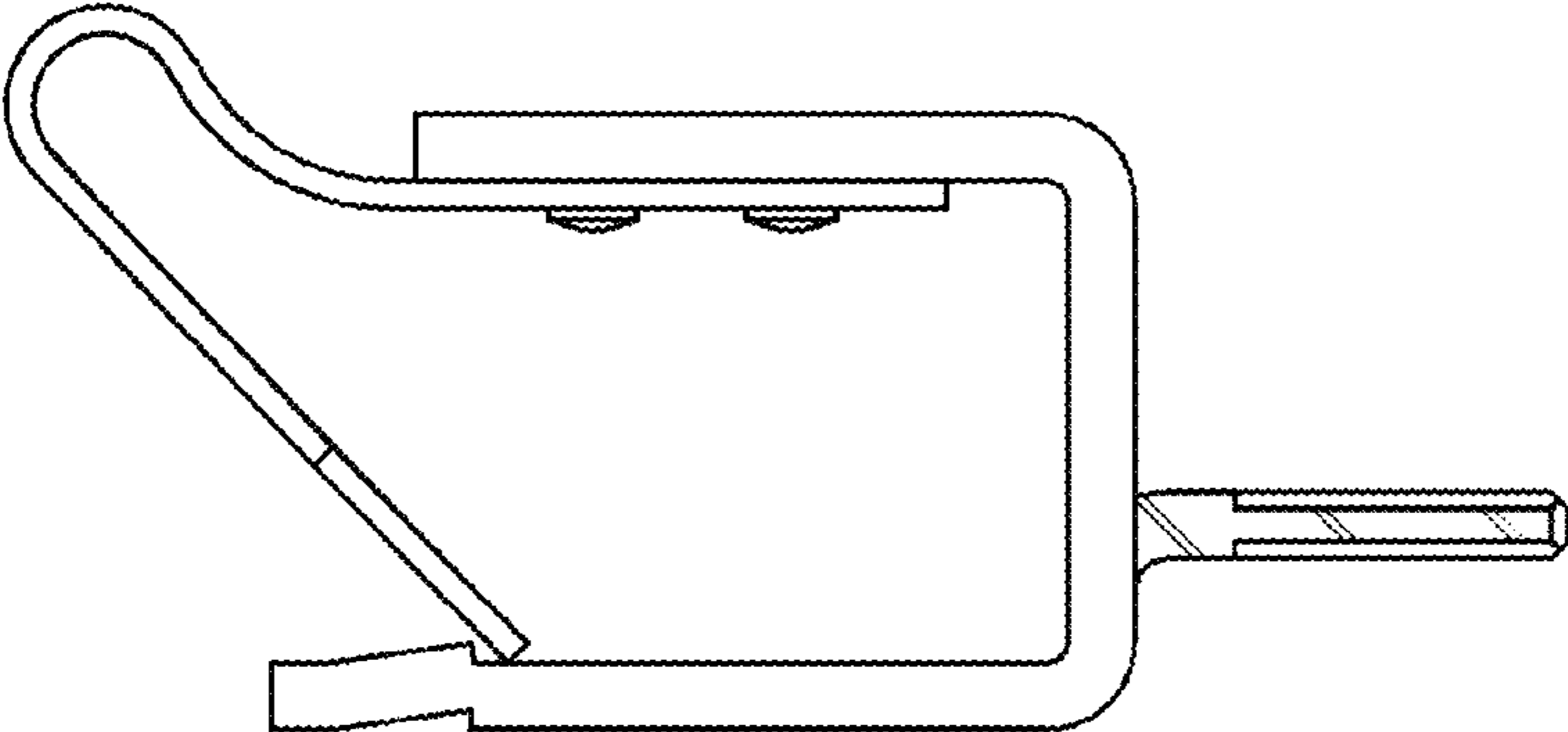


Fig. 7

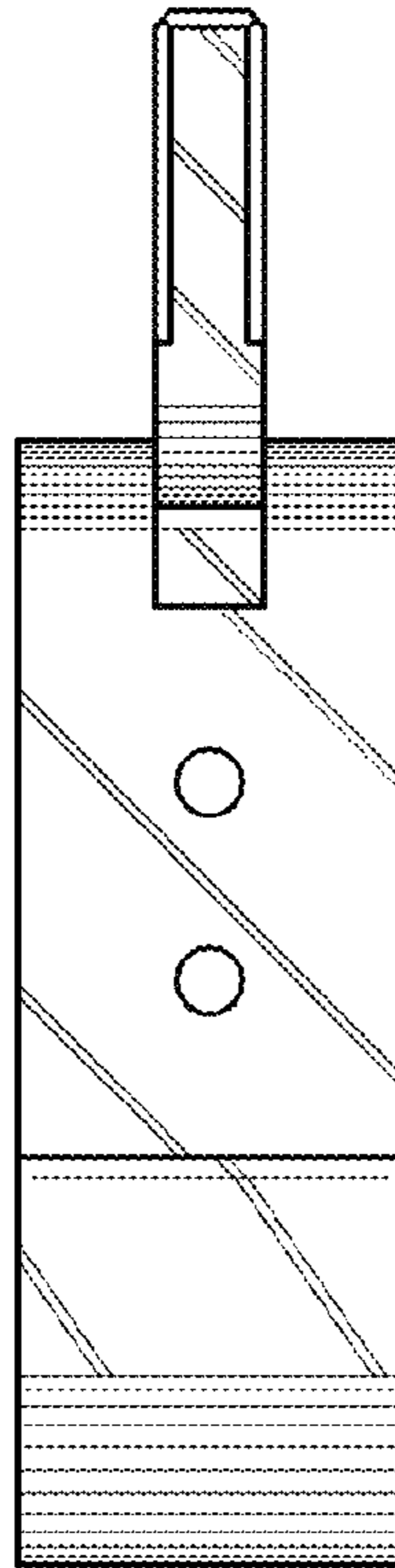


Fig. 8

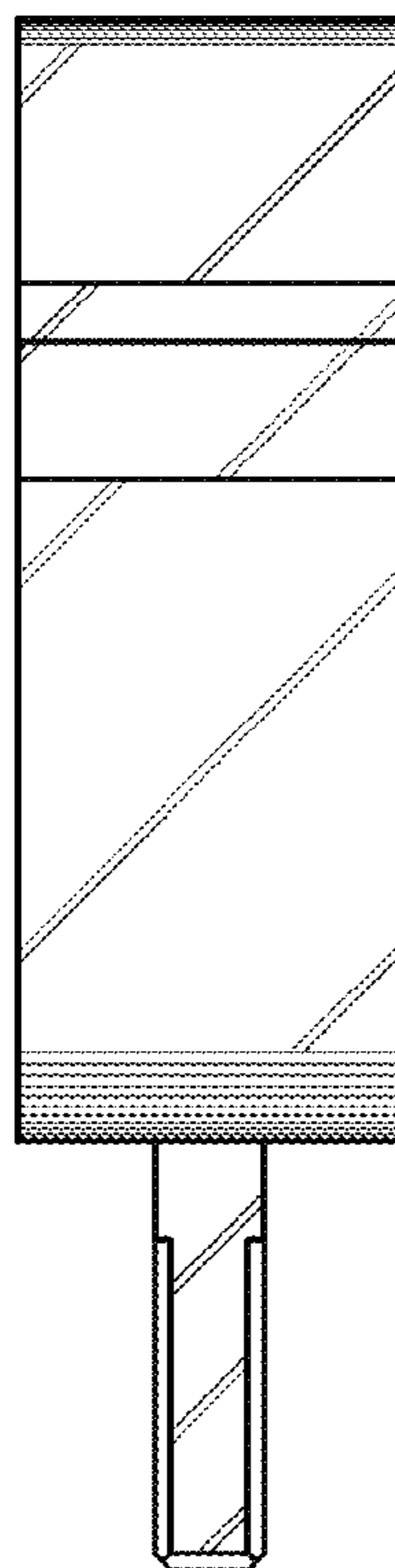


Fig. 9

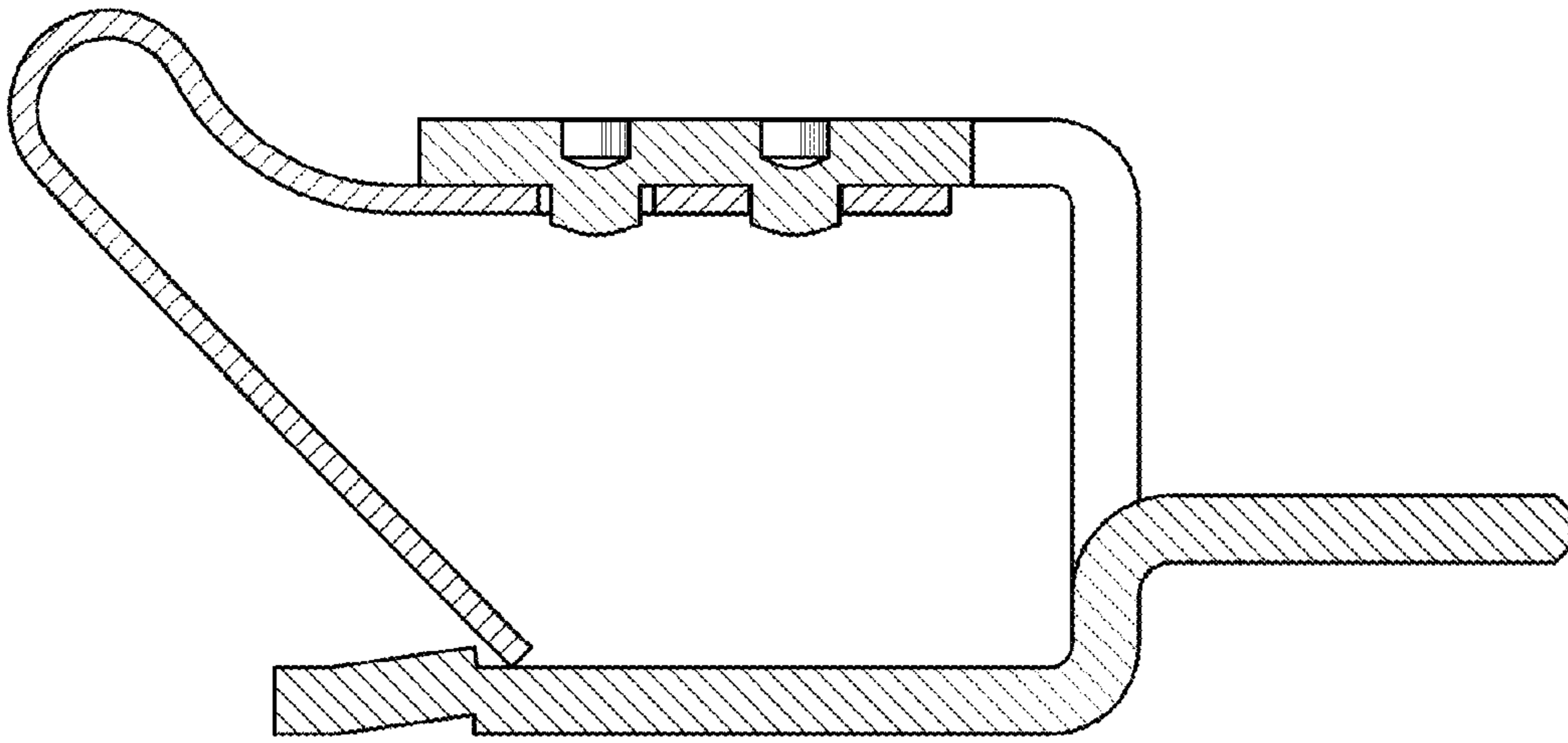


Fig. 10

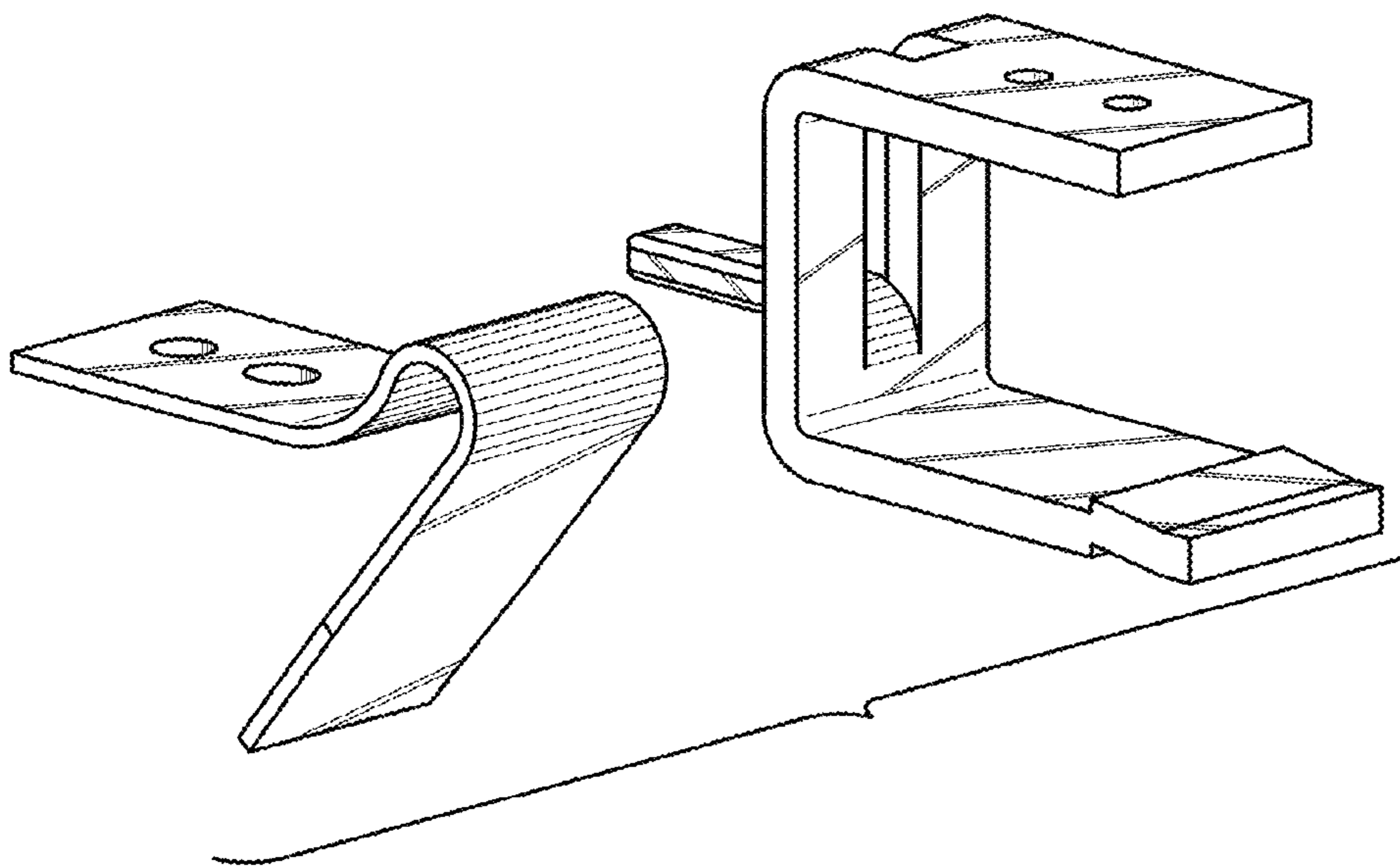


Fig. 11

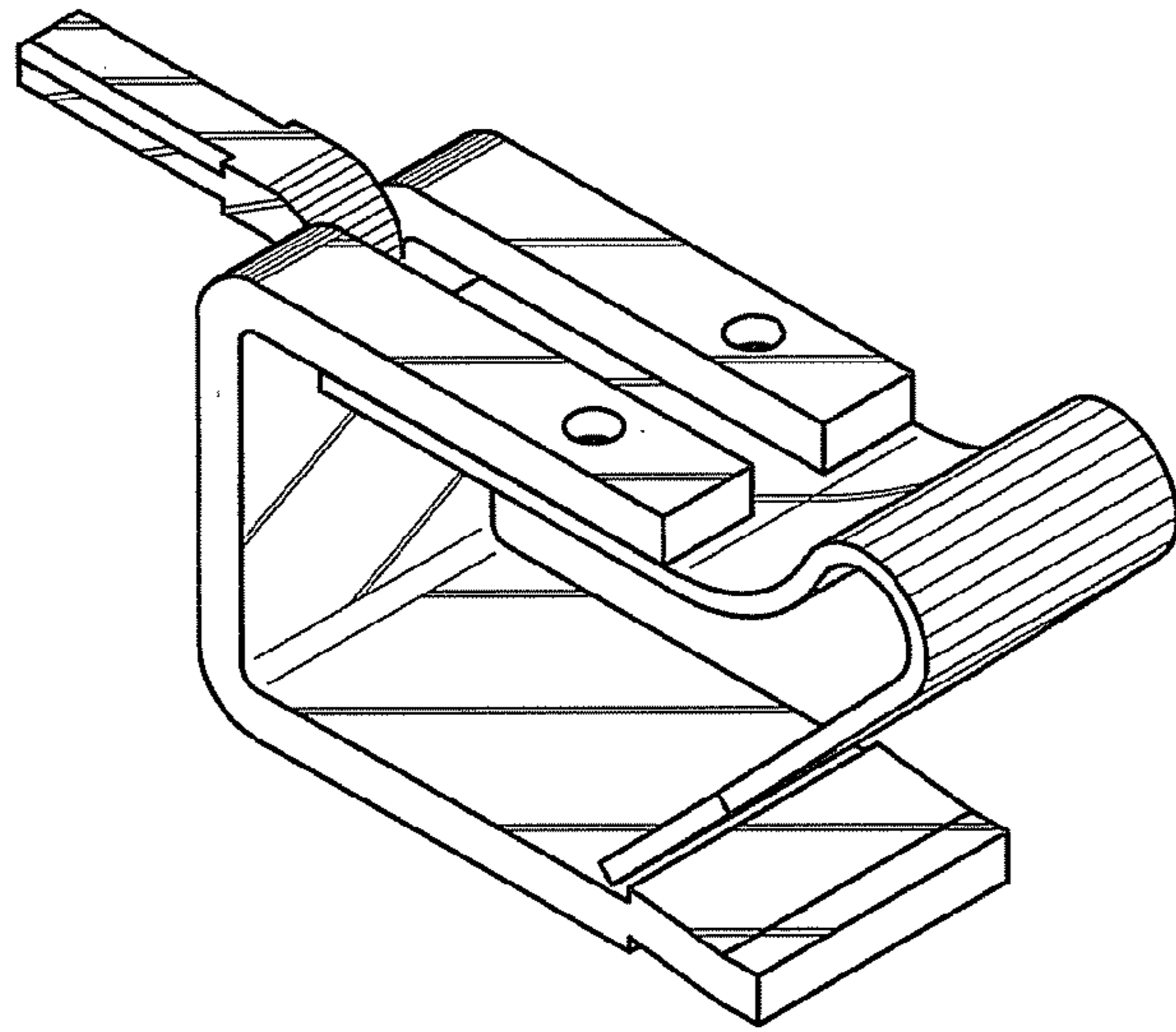


Fig. 12

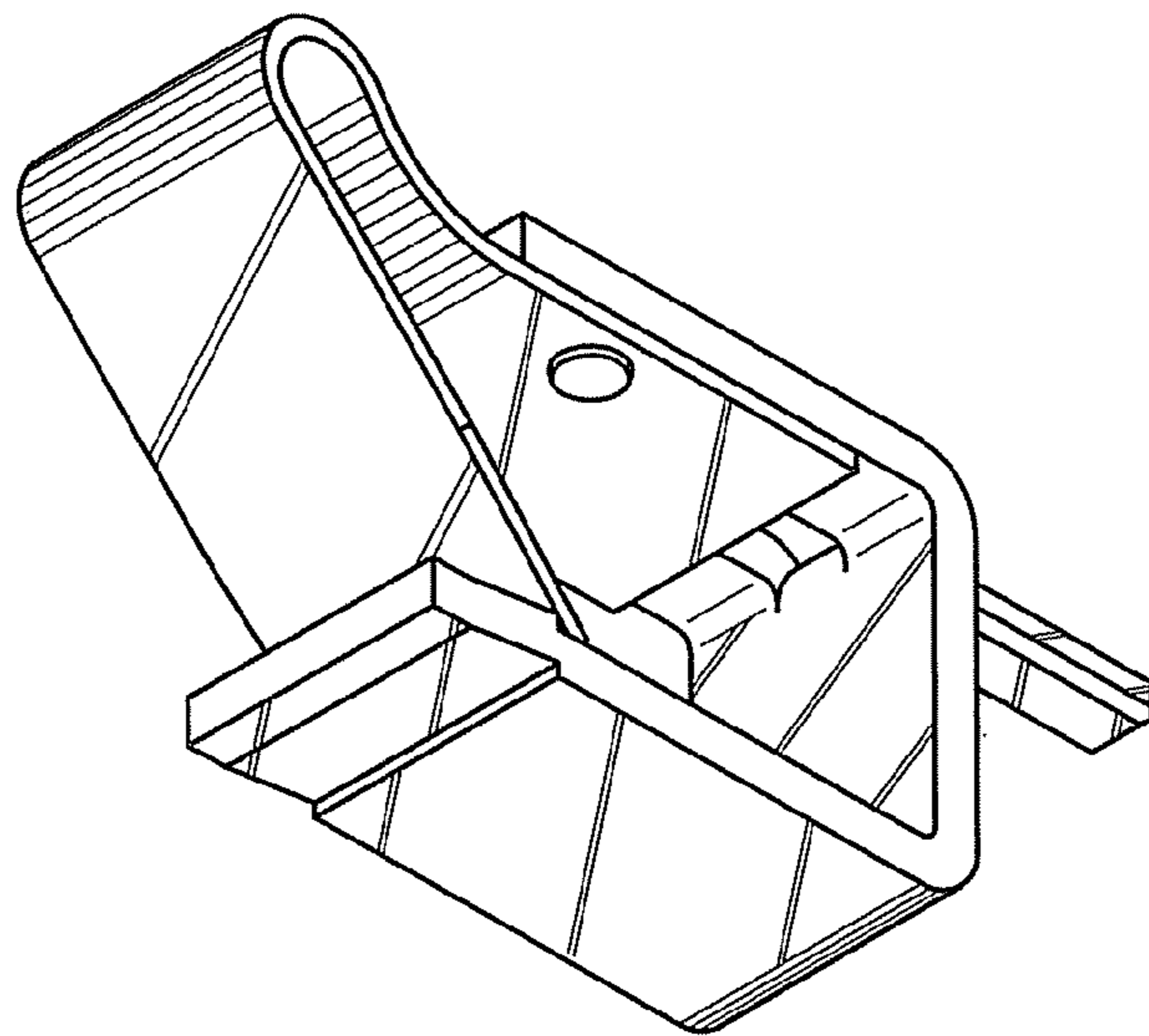


Fig. 13

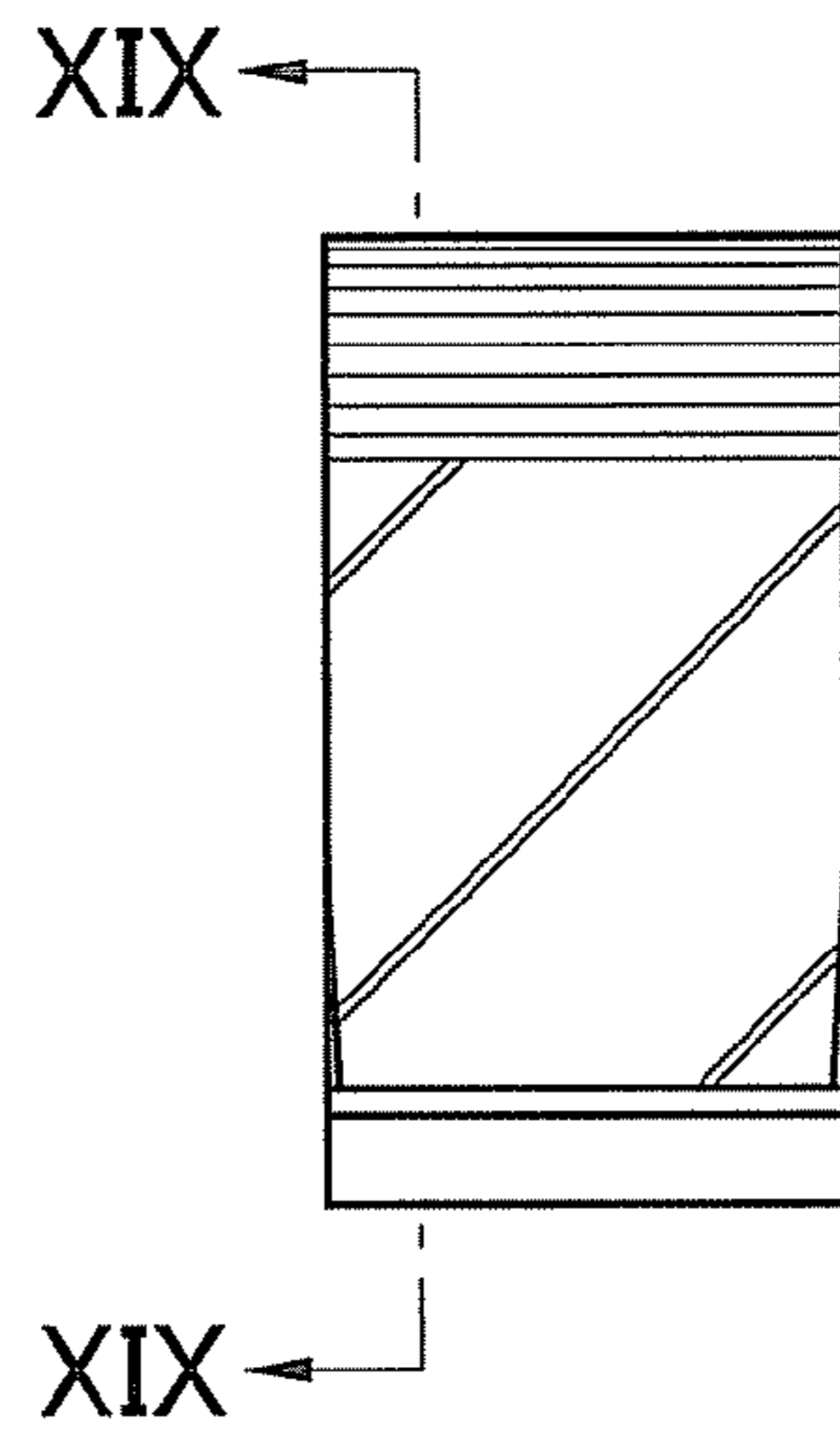


Fig. 14

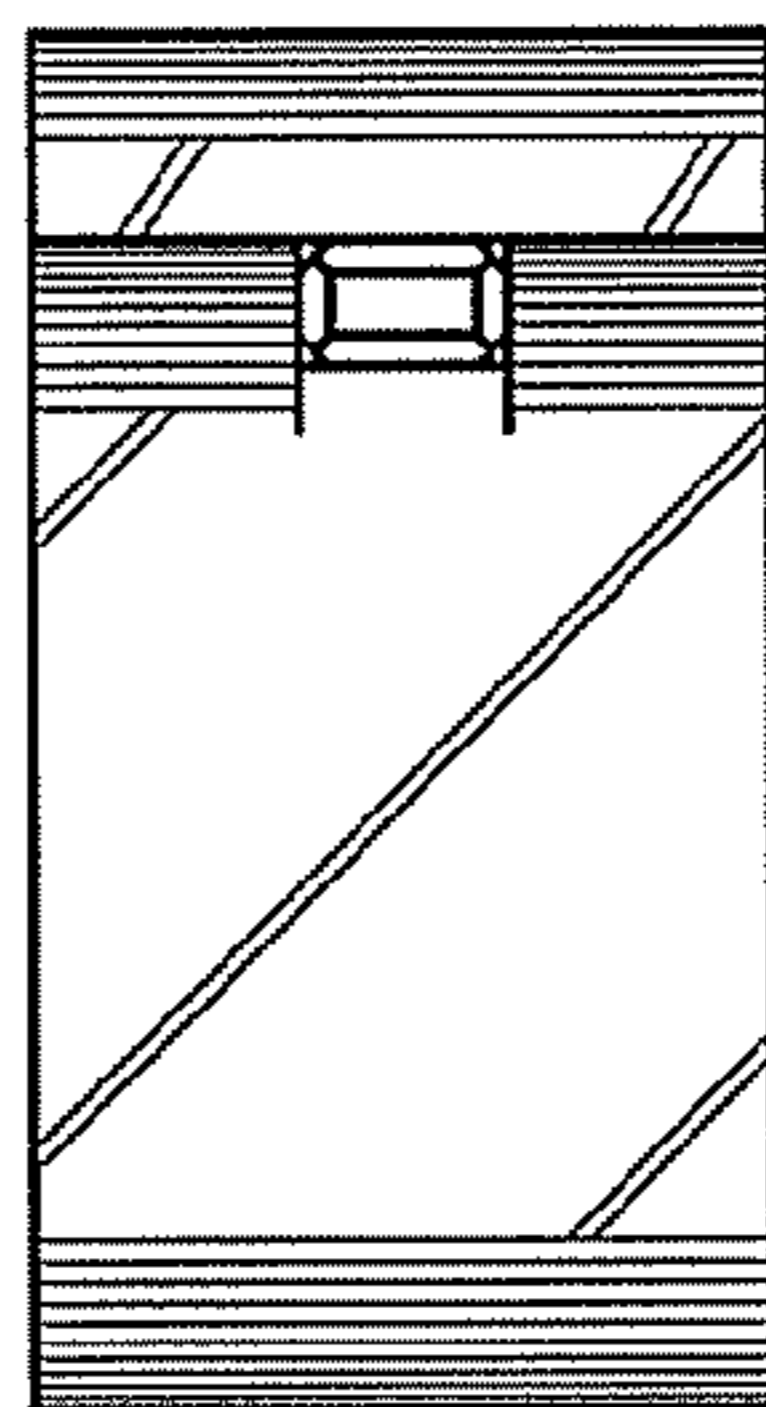


Fig. 15

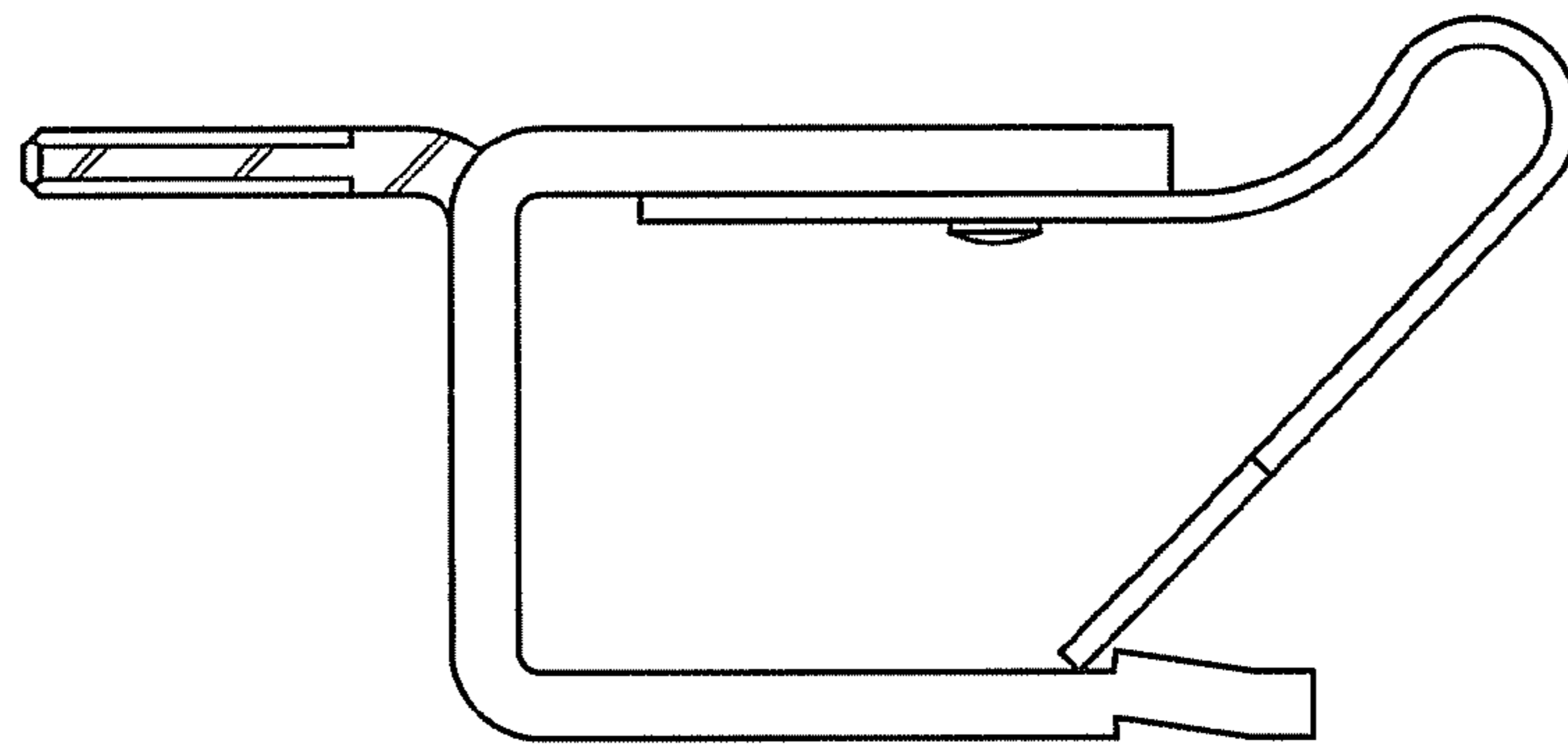


Fig. 16

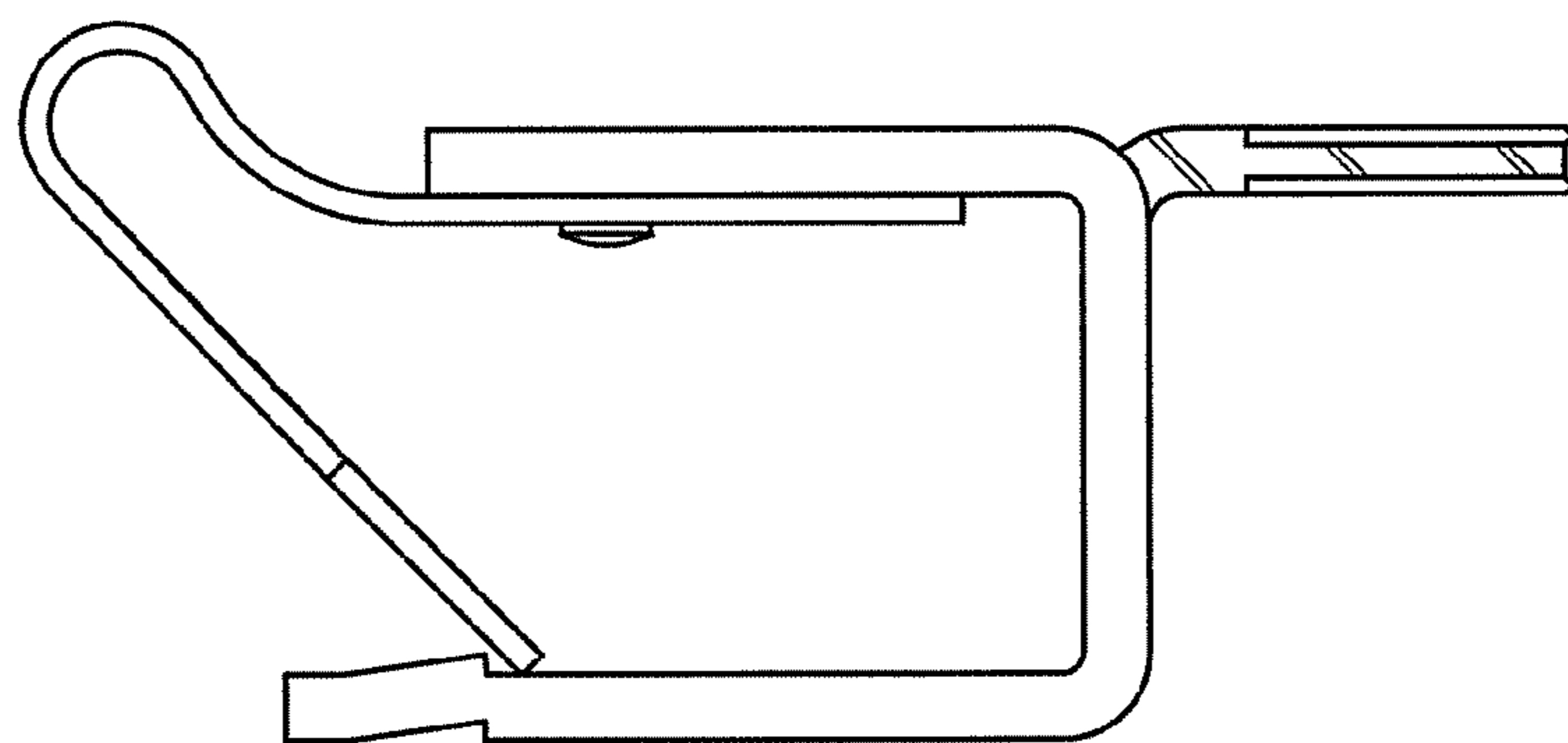


Fig. 17

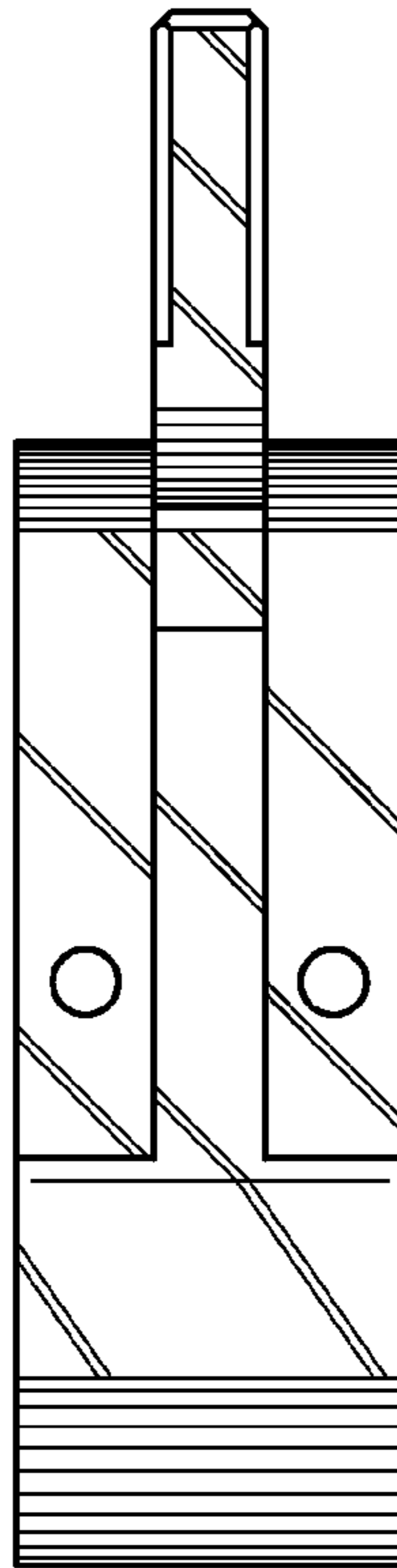


Fig. 18

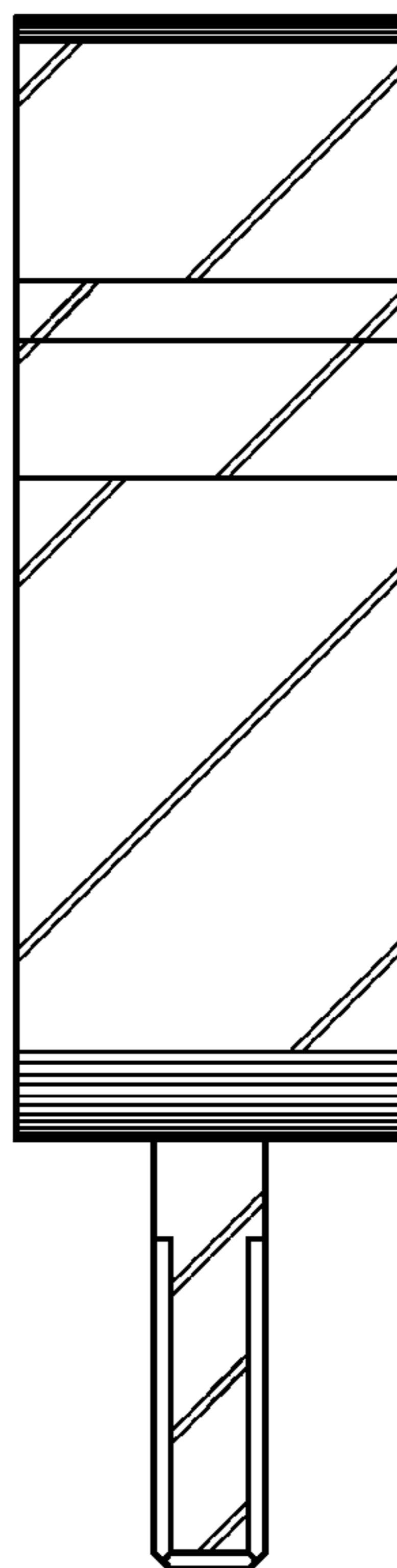


Fig. 19

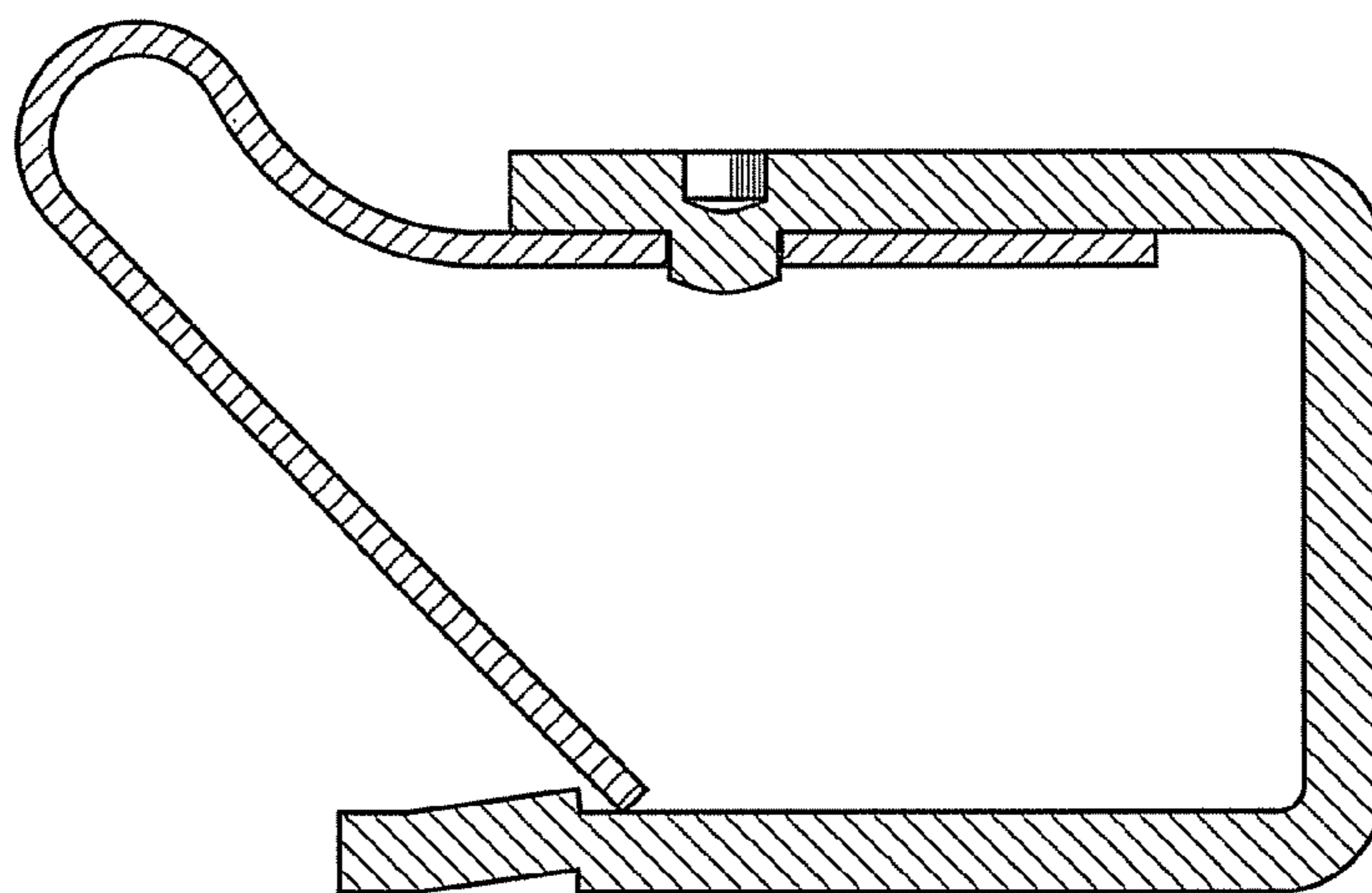


Fig. 20

